



US00D914211S

(12) **United States Design Patent**
Hernandez Zendejas

(10) **Patent No.:** **US D914,211 S**
(45) **Date of Patent:** **** Mar. 23, 2021**

- (54) **ELECTROSURGICAL DEVICE**
- (71) Applicant: **Gregorio Hernandez Zendejas**,
Guadalajara (MX)
- (72) Inventor: **Gregorio Hernandez Zendejas**,
Guadalajara (MX)
- (**) Term: **15 Years**
- (21) Appl. No.: **29/702,258**
- (22) Filed: **Aug. 18, 2019**
- (51) **LOC (13) Cl.** **24-02**
- (52) **U.S. Cl.**
USPC **D24/144**
- (58) **Field of Classification Search**
USPC D24/133, 144, 146-147
CPC . A61B 18/14; A61B 18/1402; A61B 18/1445;
A61B 2018/00607
See application file for complete search history.

- 5,324,288 A * 6/1994 Billings A61B 18/14
606/172
- 6,475,216 B2 * 11/2002 Mulier A61B 18/1402
604/35
- D537,942 S * 3/2007 Cronin D24/144
- 8,998,899 B2 * 4/2015 Shilev A61B 18/14
606/42
- 9,993,287 B2 * 6/2018 Sartor A61B 18/1402
- D860,454 S * 9/2019 Albertal D24/144
- 10,631,914 B2 * 4/2020 Sartor A61B 18/14

* cited by examiner

Primary Examiner — Wan Laymon

(57) **CLAIM**

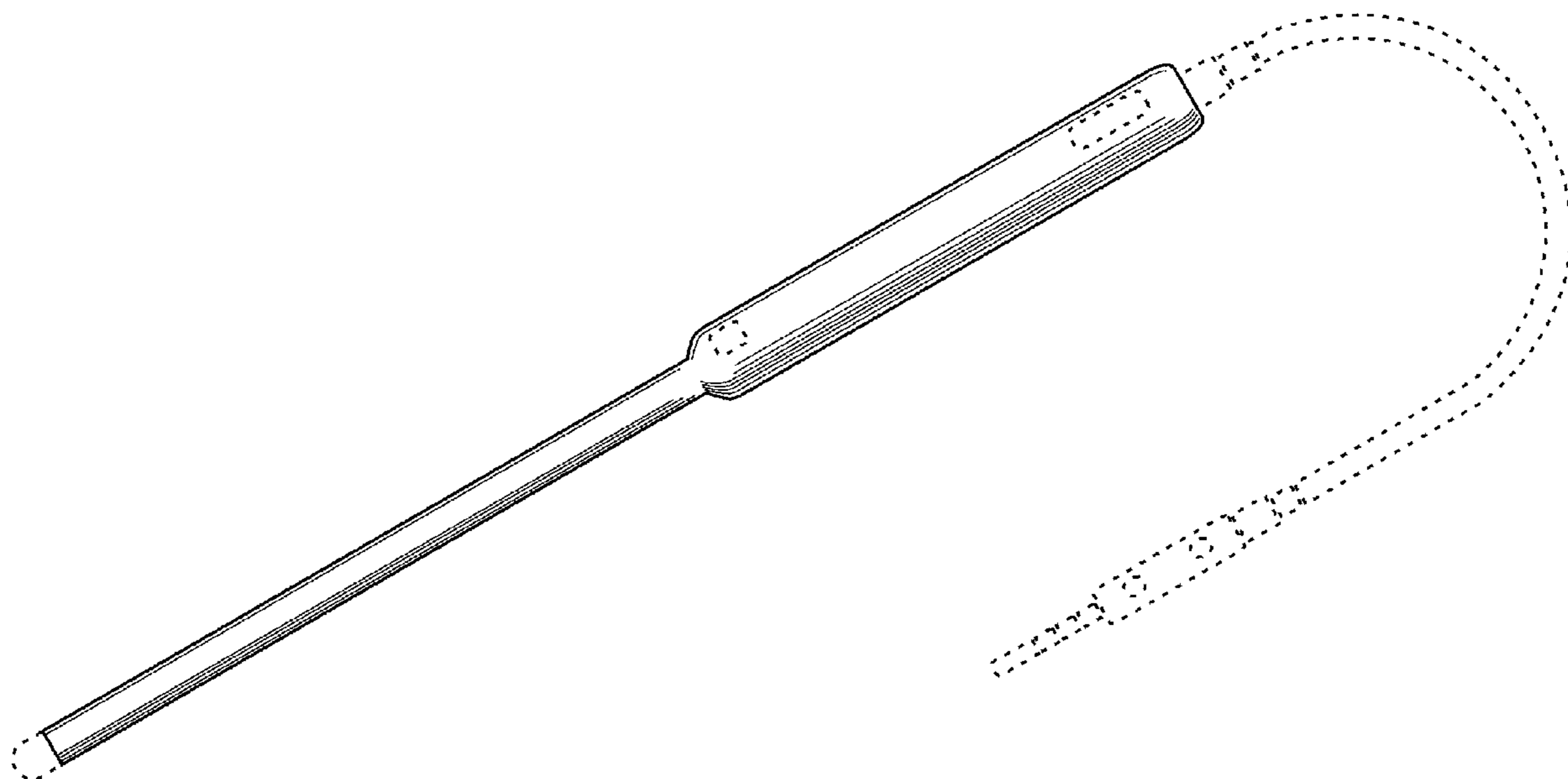
The ornamental design for an electrosurgical device, as shown and described.

DESCRIPTION

FIG. 1 is a perspective view of the electrosurgical device, showing my new design;
 FIG. 2 is a front view thereof;
 FIG. 3 is a rear view thereof;
 FIG. 4 is a right side view thereof;
 FIG. 5 is a left side view thereof;
 FIG. 6 is a top view thereof; and,
 FIG. 7 is a bottom view thereof.

The broken lines shown in the figures represent portions of the electrosurgical device that form no part of the claimed design. The design shown is not to be limited to any particular size and may be scaled larger or smaller.

1 Claim, 6 Drawing Sheets



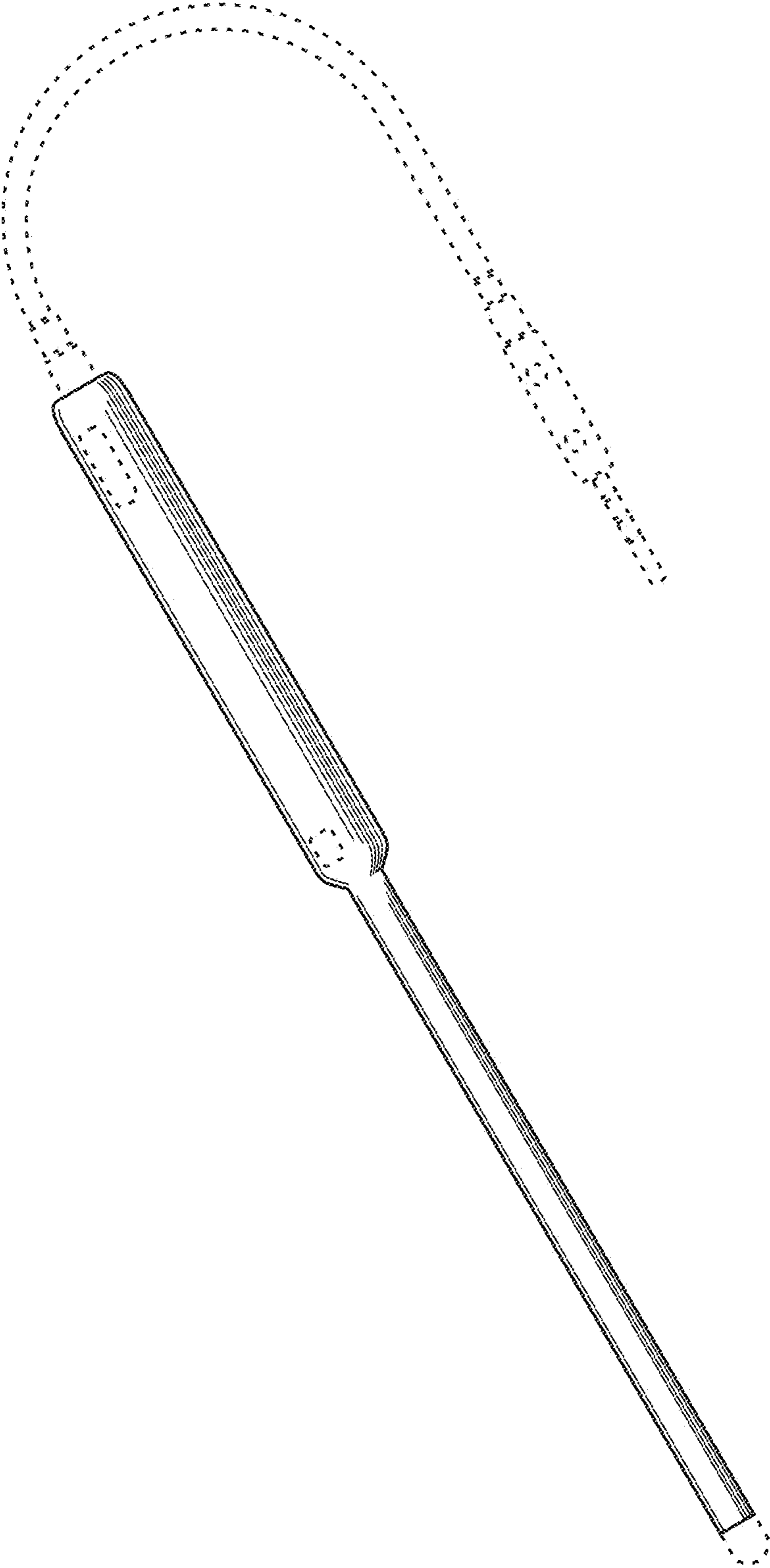


FIG. 1

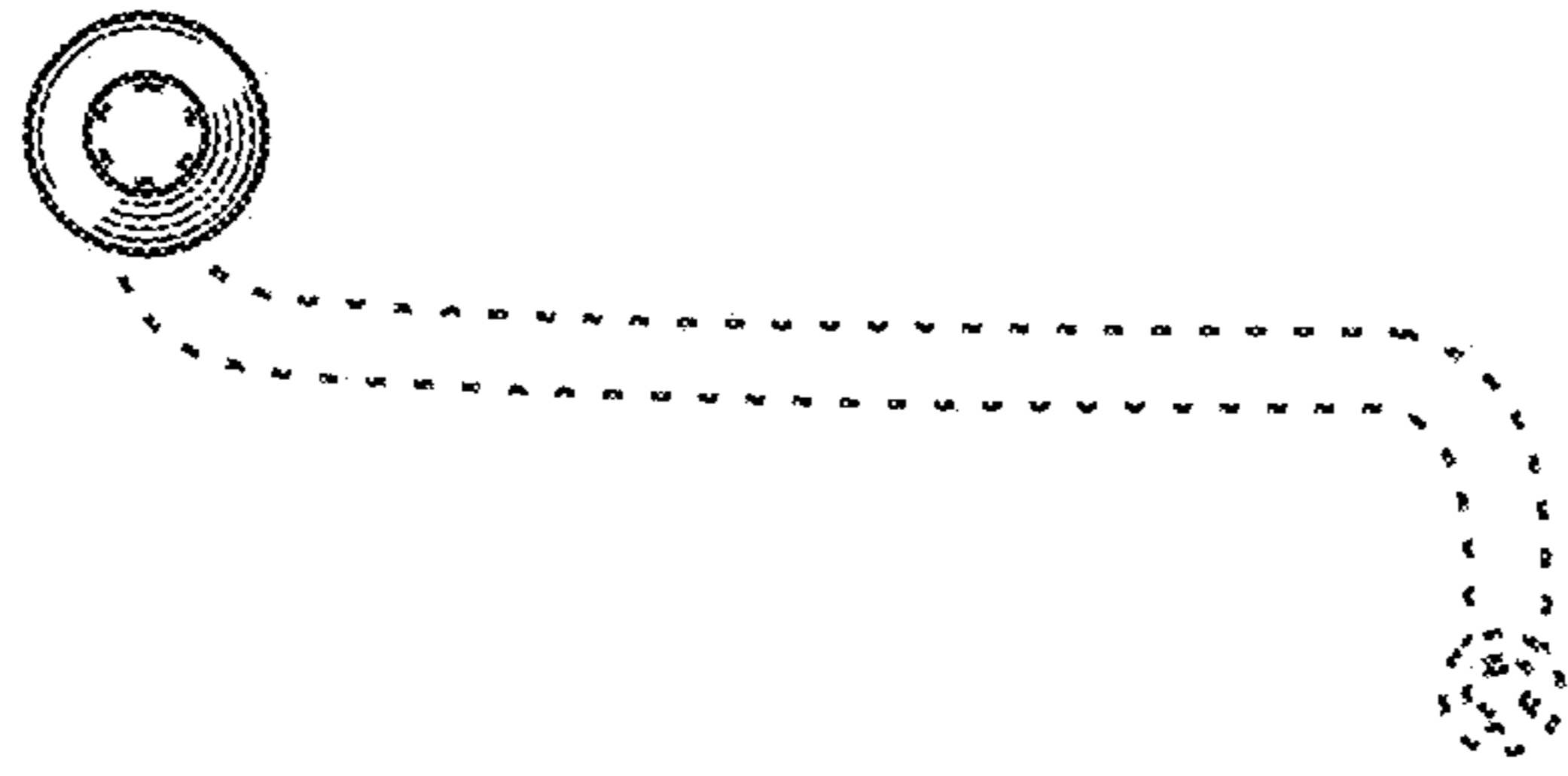


FIG. 2

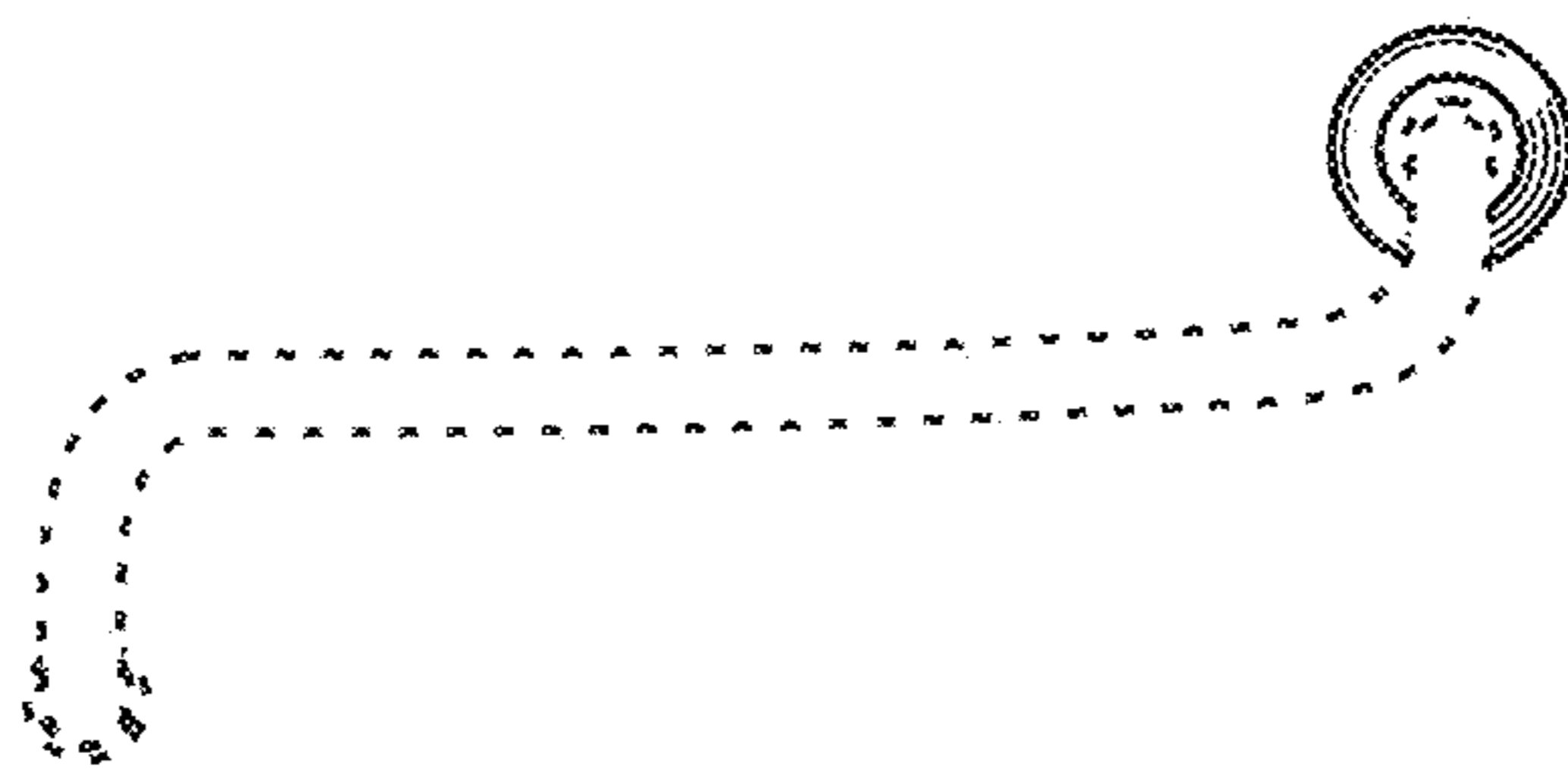


FIG. 3

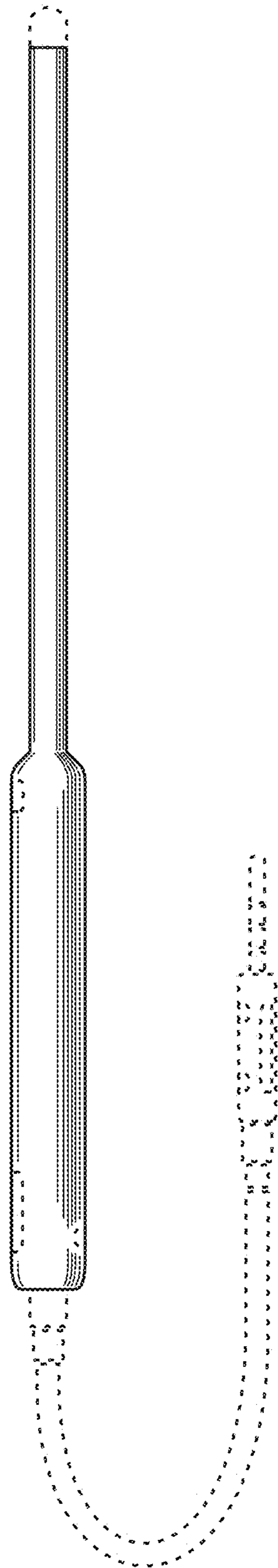


FIG. 4

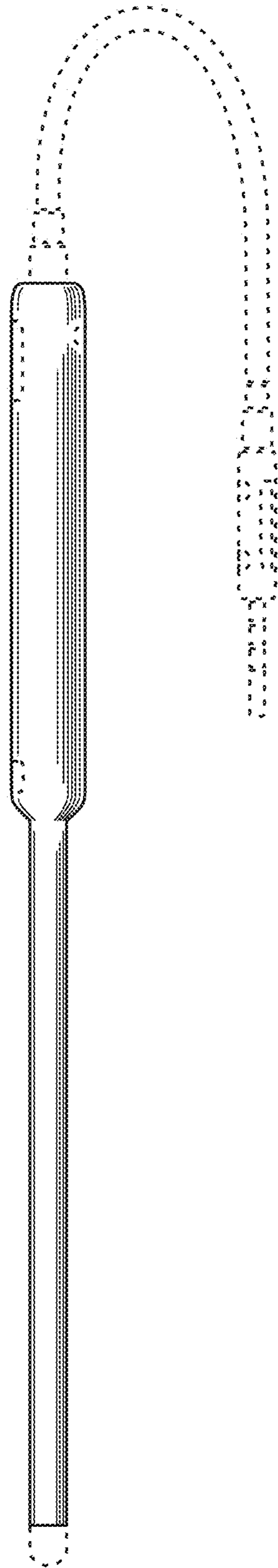


FIG. 5

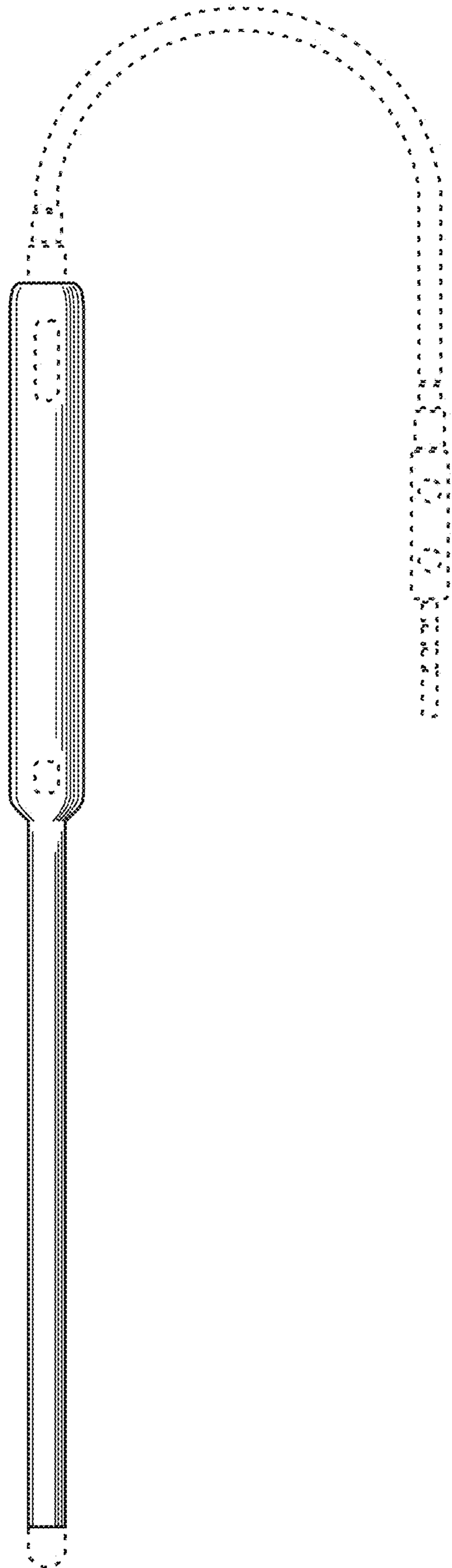


FIG. 6

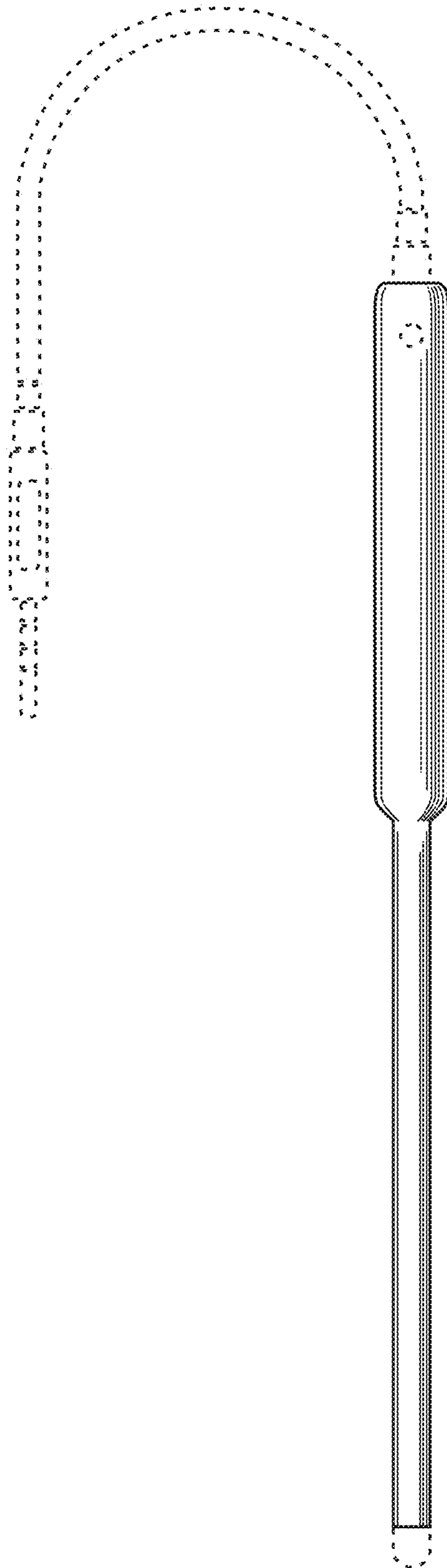


FIG. 7