



US00D914209S

(12) **United States Design Patent**
Leibowitz

(10) **Patent No.:** **US D914,209 S**

(45) **Date of Patent:** **** Mar. 23, 2021**

- (54) **SURGICAL TOOL HANDLE**
- (71) Applicant: **Shukla Medical**, St. Petersburg, FL (US)
- (72) Inventor: **Evan G. Leibowitz**, Linden, NJ (US)
- (73) Assignee: **Shukla Medical**, St. Petersburg, FL (US)
- (**) Term: **15 Years**
- (21) Appl. No.: **29/670,724**
- (22) Filed: **Nov. 19, 2018**
- (51) **LOC (13) Cl.** **24-02**
- (52) **U.S. Cl.**
USPC **D24/133**
- (58) **Field of Classification Search**
USPC D24/108, 112, 113–117, 127, 133, 134, D24/136, 137, 138, 143, 145, 200; D8/14, 16, 19, 21, 82, 83, 84, 85, 86, D8/107, 34, 300, 303, 314, 372, 374, 394, D8/77
CPC A61M 25/0136; A61B 17/64; A61B 17/62; A61B 17/645; A61B 17/00
See application file for complete search history.

- (56) **References Cited**
U.S. PATENT DOCUMENTS
818,242 A * 4/1906 Geisel A63B 21/0004 482/128
D294,181 S * 2/1988 Romero D27/108
5,263,976 A 11/1993 Williams
D357,703 S * 4/1995 Chang D19/82
6,151,998 A * 11/2000 Fu-Hui B25G 1/085 81/177.1
D461,558 S * 8/2002 Schiavoni D24/194
7,272,999 B2 9/2007 Cutler et al.
D566,514 S * 4/2008 Settles D8/107
D597,405 S * 8/2009 Startzell D9/434
D616,206 S * 5/2010 Junting D4/138

- D628,660 S * 12/2010 Verheem A63B 15/005 D21/681
- D632,157 S * 2/2011 Le D8/306
- 7,913,594 B2 * 3/2011 Gauthier B25B 13/463 81/467
- D649,635 S * 11/2011 Cronin D24/133
- D680,407 S 8/2013 Ramsland et al.
- D772,684 S * 11/2016 Zimmer D8/307
- D786,430 S 5/2017 Davies et al.
- D787,296 S * 5/2017 Zimmer D8/307
- D788,567 S * 6/2017 Zimmer D8/317
- D790,061 S 6/2017 Gu
(Continued)

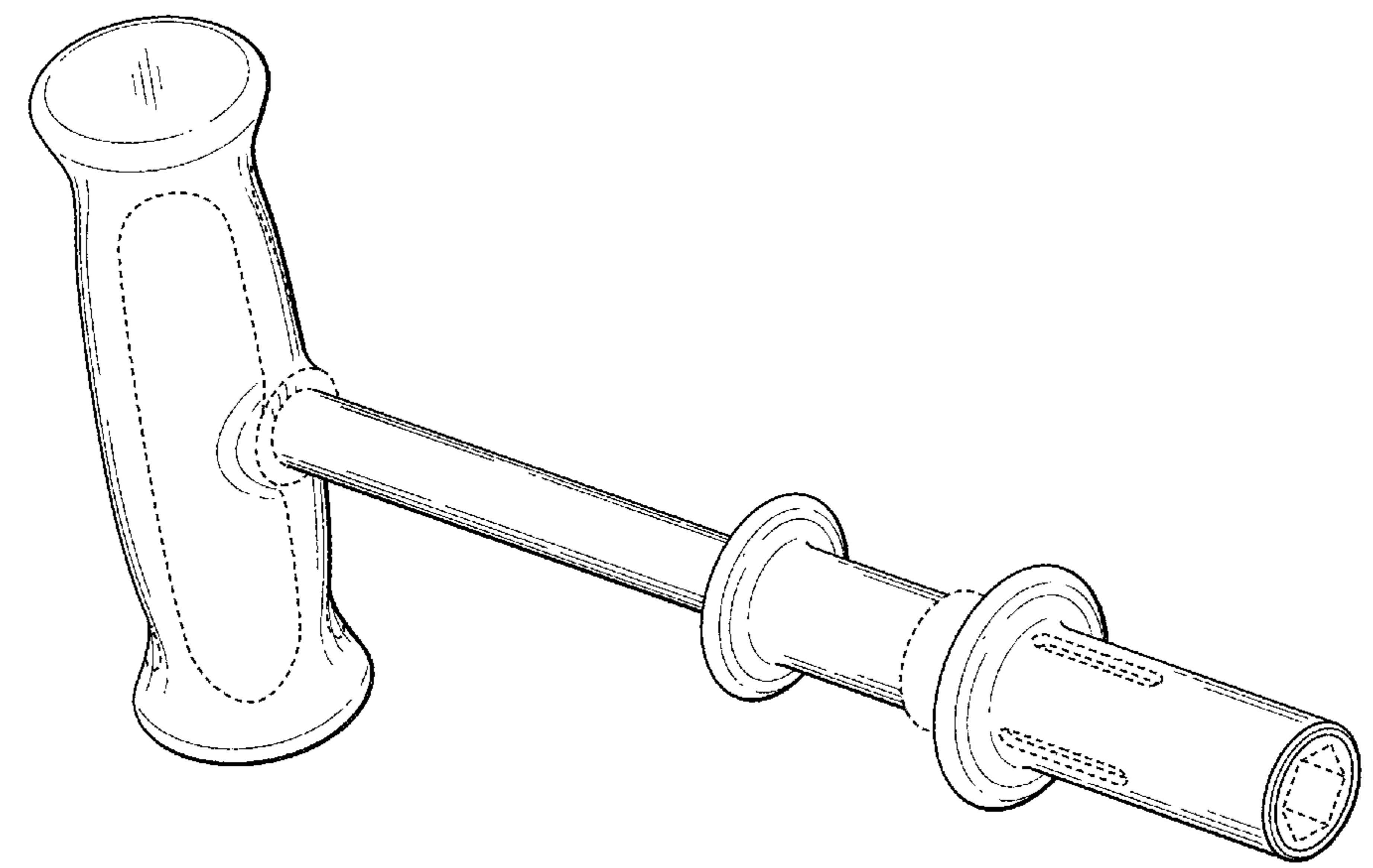
Primary Examiner — Manpreet S Matharu
Assistant Examiner — Yolanda Robinson
 (74) *Attorney, Agent, or Firm* — Kim IP Law Group LLC

(57) **CLAIM**
 The ornamental design for a surgical tool handle, as shown and described.

DESCRIPTION

FIG. 1 is a bottom perspective view of a surgical tool handle in accordance with the new design;
 FIG. 2 is a bottom plan view of the surgical tool handle of FIG. 1;
 FIG. 3 is a top plan view of the surgical tool handle of FIG. 1;
 FIG. 4 is a front elevational view of the surgical tool handle of FIG. 1;
 FIG. 5 is a rear elevational view of the surgical tool handle of FIG. 1;
 FIG. 6 is a right side elevational view of the surgical tool handle of FIG. 1; and,
 FIG. 7 is a left side elevational view of the surgical tool handle of FIG. 1.
 The broken lines in FIGS. 1-7 illustrate portions of the surgical tool handle which form no part of the claimed design.

1 Claim, 5 Drawing Sheets



(56)

References Cited

U.S. PATENT DOCUMENTS

D791,566 S * 7/2017 Howell D8/302
D805,641 S 12/2017 Gu
D807,147 S * 1/2018 Renault D8/303
D832,426 S * 10/2018 Holton D24/127
D839,066 S * 1/2019 Bast D8/14
D845,740 S * 4/2019 Bast D8/107
D854,909 S * 7/2019 Wells D8/315
2010/0288087 A1* 11/2010 Lai B25G 1/085
81/490
2012/0040805 A1* 2/2012 Chen A63B 21/0608
482/110

* cited by examiner

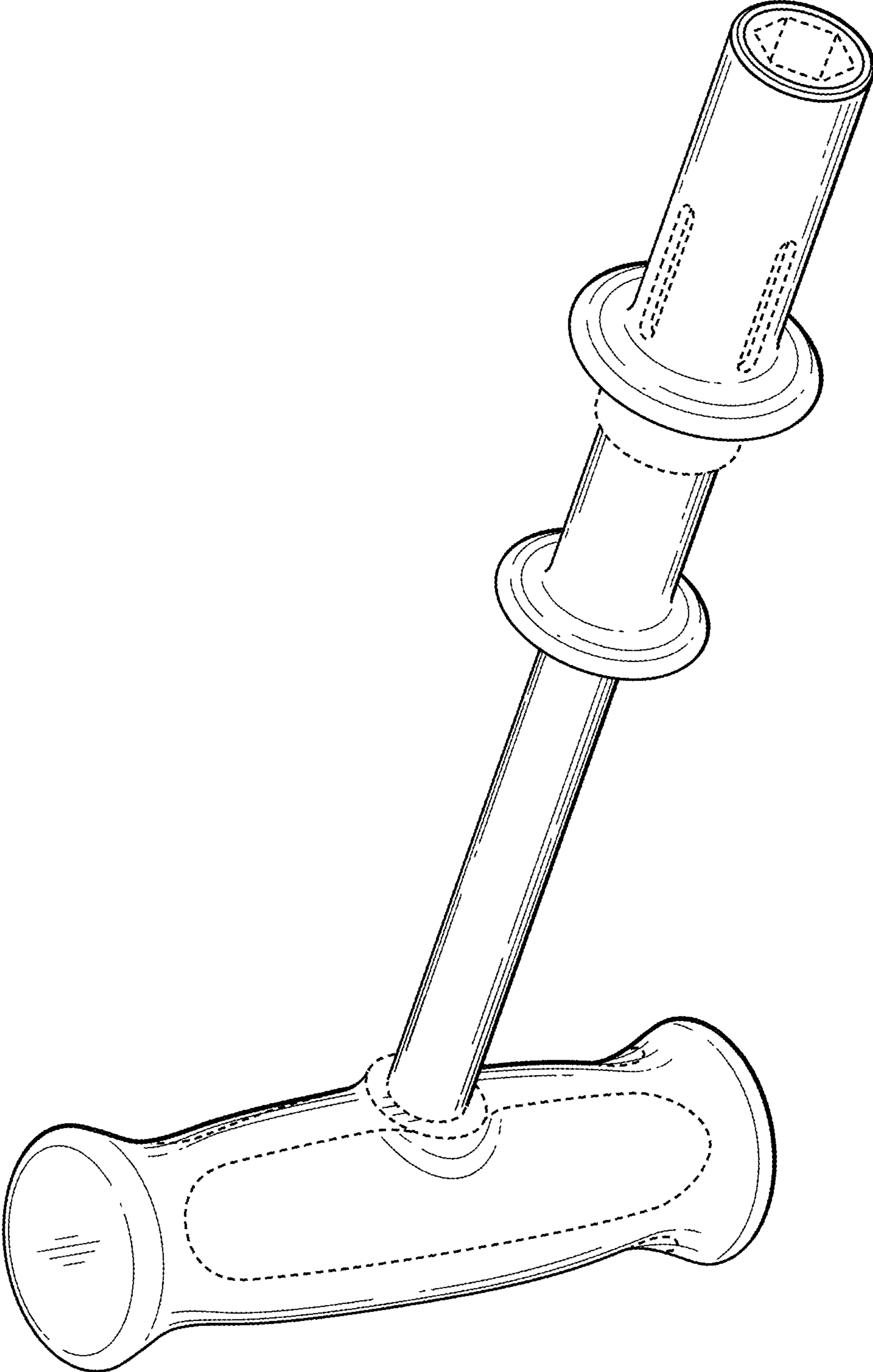


FIG. 1

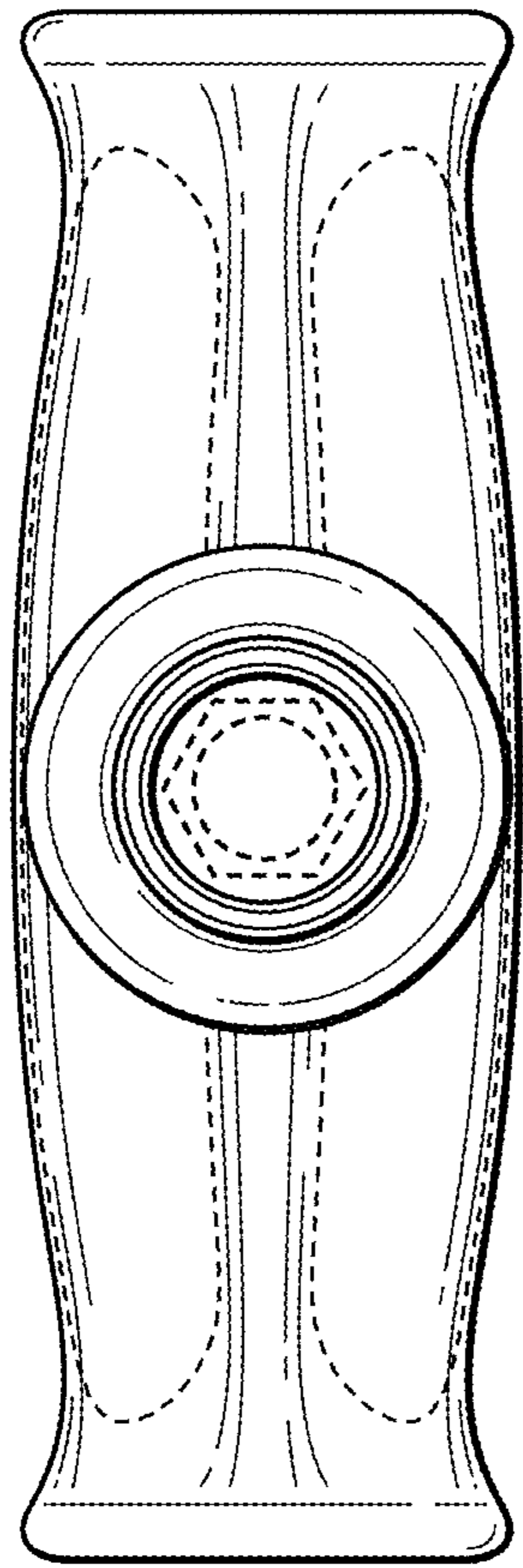


FIG. 2

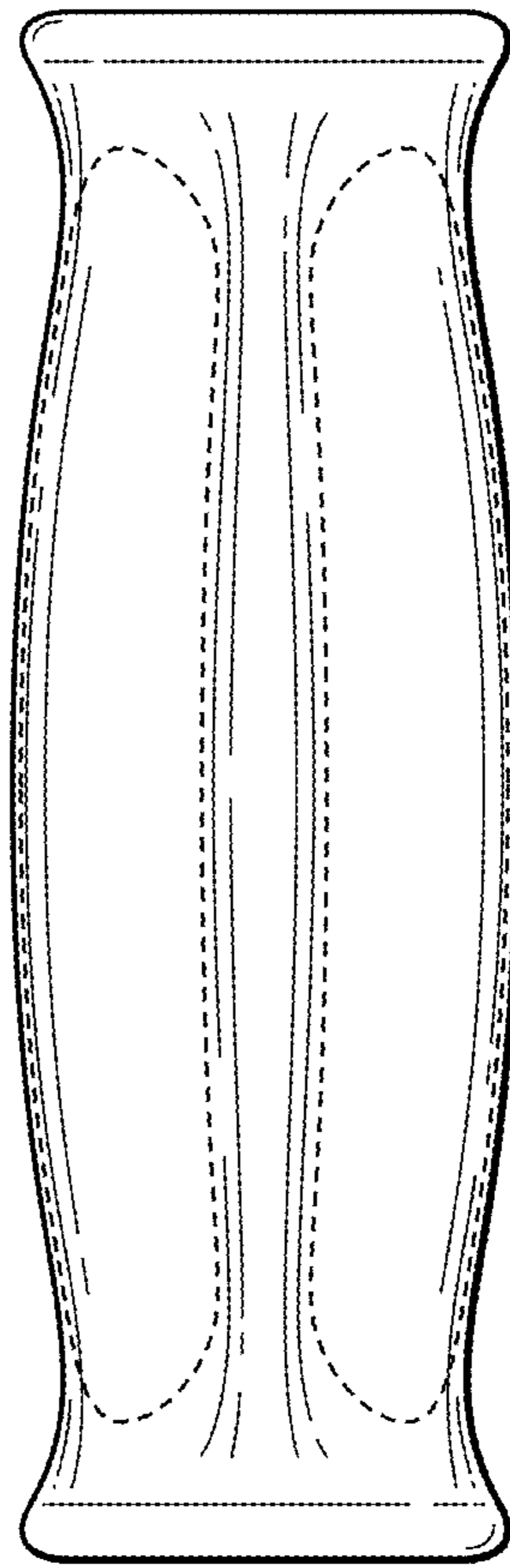


FIG. 3

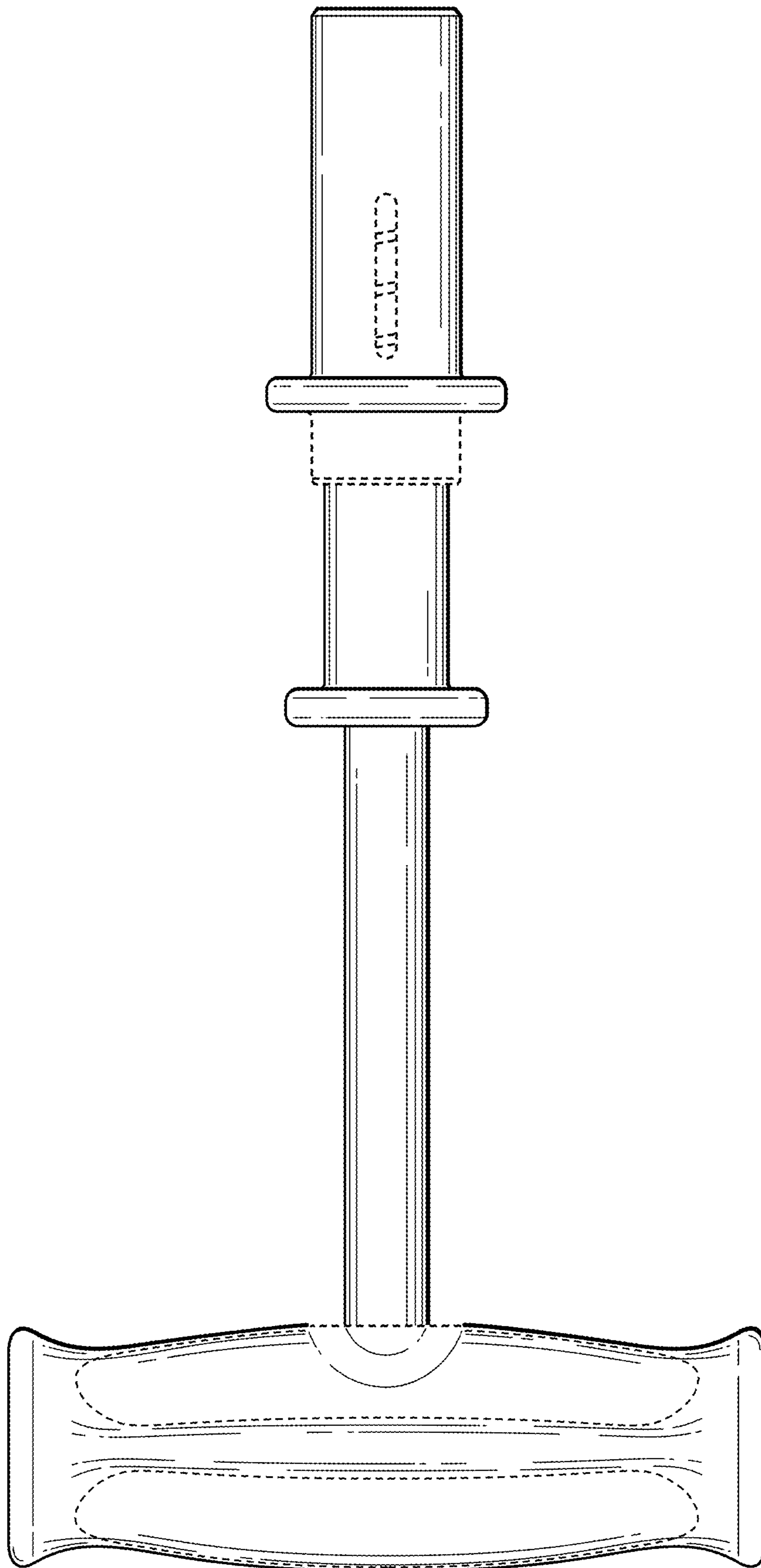


FIG. 4

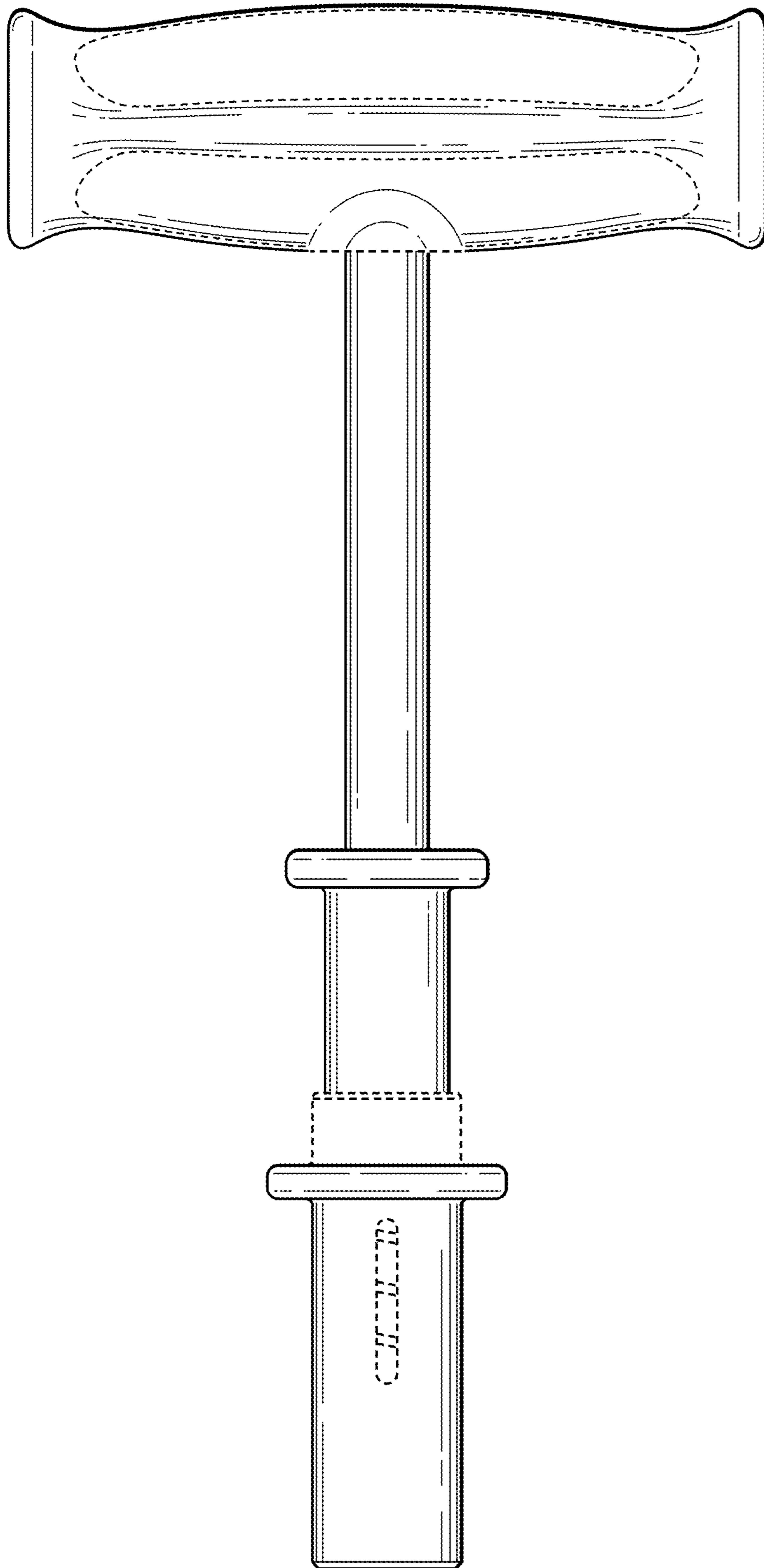


FIG. 5

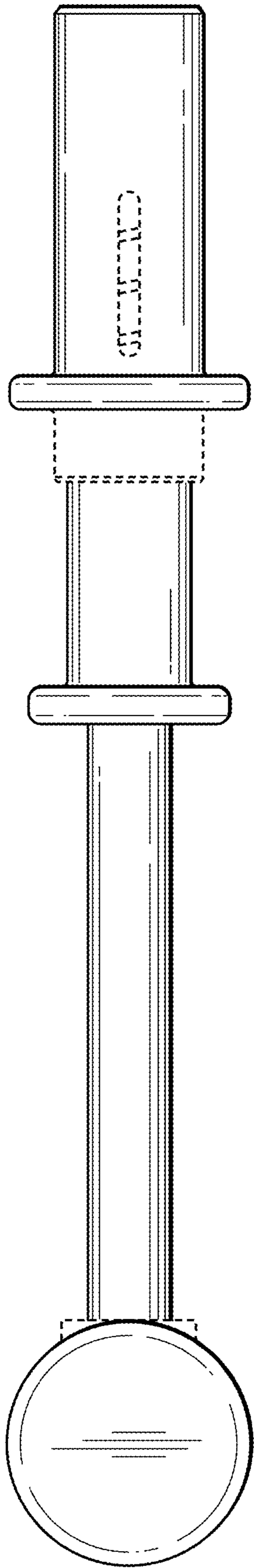


FIG. 6

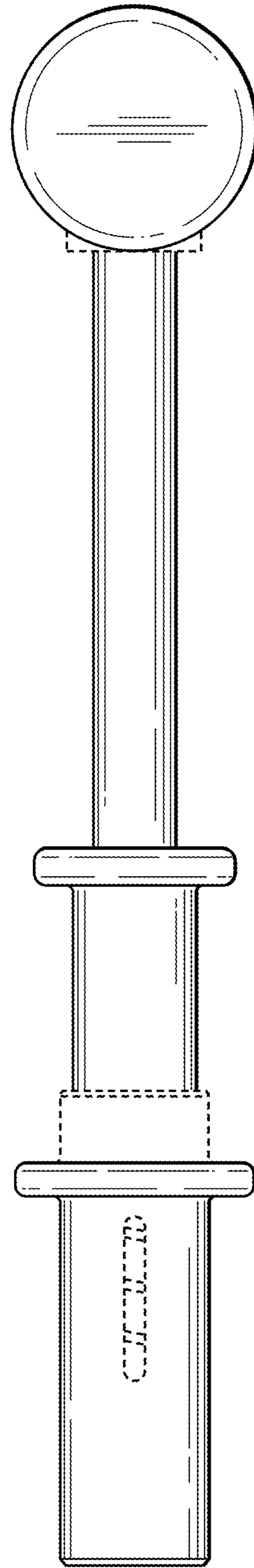


FIG. 7