



US00D914204S

(12) **United States Design Patent**
Roberts

(10) **Patent No.:** **US D914,204 S**
(45) **Date of Patent:** **** Mar. 23, 2021**

- (54) **FEMALE URINE FUNNEL**
- (71) Applicant: **Ursula Roberts**, Horton, AL (US)
- (72) Inventor: **Ursula Roberts**, Horton, AL (US)
- (**) Term: **15 Years**
- (21) Appl. No.: **29/704,159**
- (22) Filed: **Sep. 3, 2019**
- (51) **LOC (13) Cl.** **24-04**
- (52) **U.S. Cl.**
USPC **D24/122**
- (58) **Field of Classification Search**
USPC D24/112-114, 108, 133, 130, 127, 186;
606/181, 185; 604/264, 272, 187, 181,
604/184, 227; D7/691; D10/46.2
CPC A61M 5/178; A61M 3/00; A61M 5/20;
A61M 5/31; A61M 5/3146; A61M
5/3129; A61M 5/3148; A61M 5/315
See application file for complete search history.

D823,076	S	*	7/2018	Riedel	D7/691
D823,652	S	*	7/2018	Dooley	D7/691
D862,999	S	*	10/2019	Riedel	D7/691
2001/0049520	A1	*	12/2001	Robertson	A61F 5/4556 604/544
2003/0149408	A1	*	8/2003	Levinson	A61F 5/4556 604/329
2008/0034481	A1		2/2008	Cheng		
2009/0056003	A1		3/2009	Ivie		
2011/0030130	A1		2/2011	Stein		
2011/0172620	A1		7/2011	Meherji		
2012/0210502	A1		8/2012	Baham		
2013/0239311	A1		9/2013	Valenti		

FOREIGN PATENT DOCUMENTS

DE		714276	C	*	11/1941	A61G 9/003
WO		2013103291			10/2013		

* cited by examiner

Primary Examiner — David G Muller

(57) **CLAIM**

I claim the ornamental design for a female urine funnel, as shown and described.

DESCRIPTION

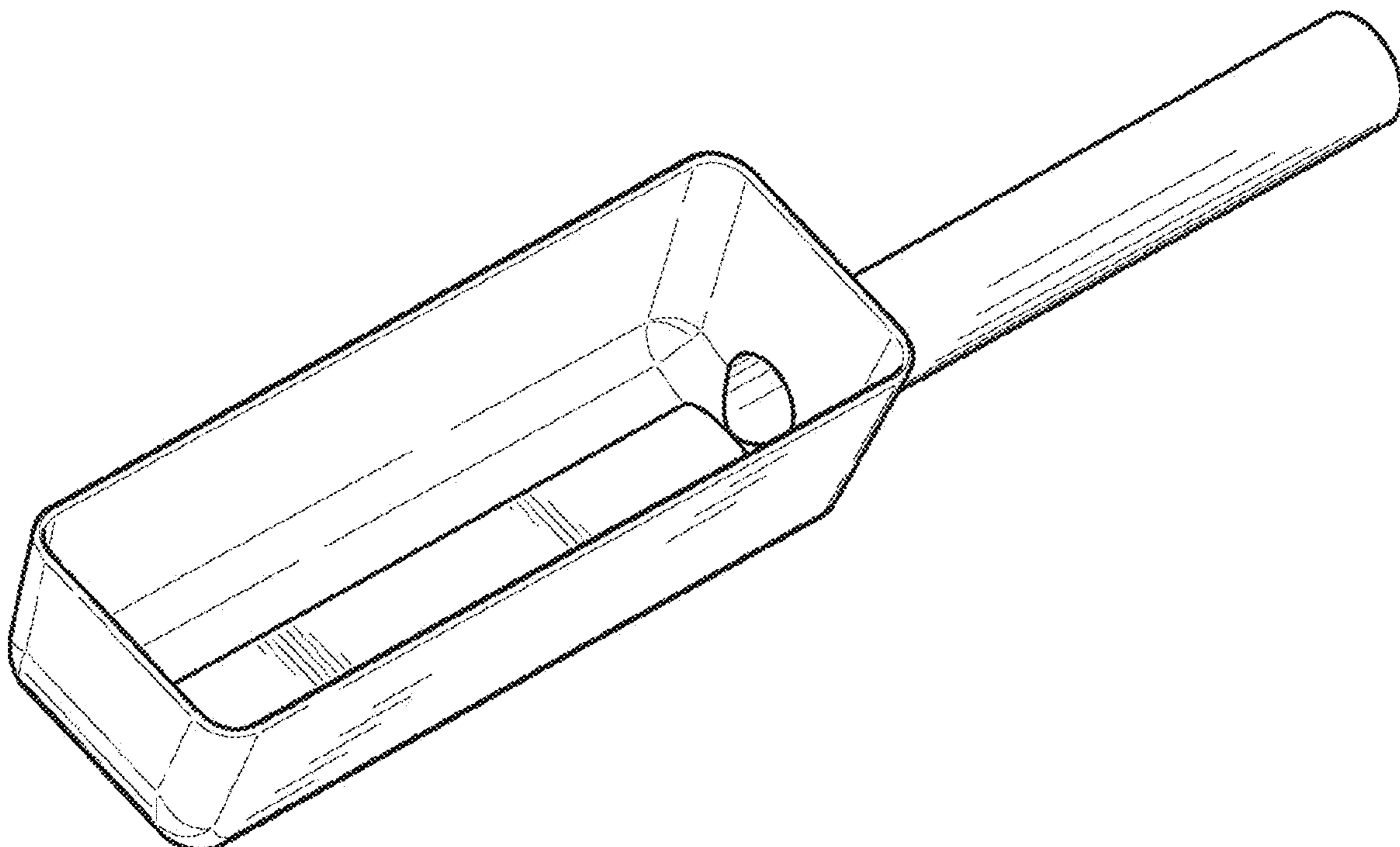
FIG. 1 is a front view of the female urine funnel.
 FIG. 2 is a rear view of the claimed design.
 FIG. 3 is a left side view of the claimed design.
 FIG. 4 is a right side view of the claimed design.
 FIG. 5 is a top view of the claimed design.
 FIG. 6 is a bottom view of the claimed design.
 FIG. 7 is a top, perspective view of the claimed design; and,
 FIG. 8 is a bottom, perspective view of the claimed design.

1 Claim, 5 Drawing Sheets

(56) **References Cited**

U.S. PATENT DOCUMENTS

3,475,767	A	*	11/1969	Friesen	A61G 9/006 4/452
D321,305	S	*	11/1991	Underwood	D7/691
D331,023	S	*	11/1992	Mulry	141/108
D460,328	S	*	7/2002	de Groote	D10/46.2
6,547,771	B2		4/2003	Robertson		
6,719,741	B2		4/2004	Ching		
D506,111	S	*	6/2005	Handley	D8/10
D567,600	S	*	4/2008	Matsumura	D10/46.2
D620,769	S	*	8/2010	Mangin	D7/691
D650,902	S		12/2011	Lopez, Jr.		



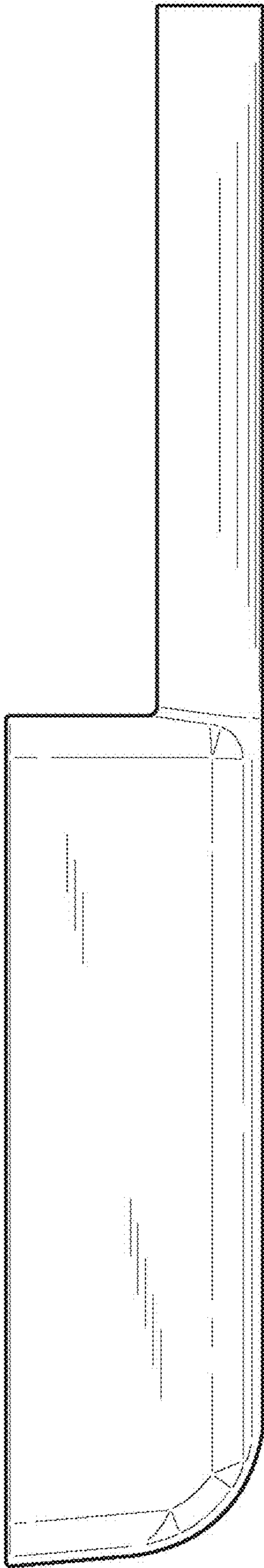


FIG. 1

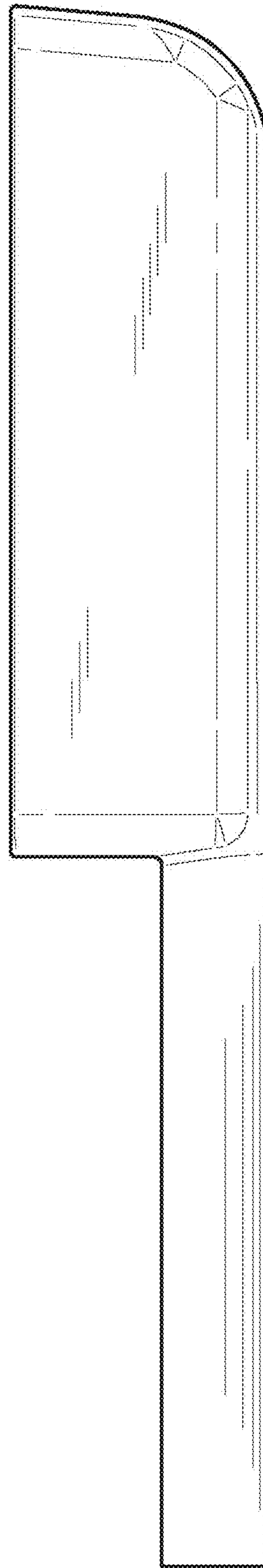


FIG. 2

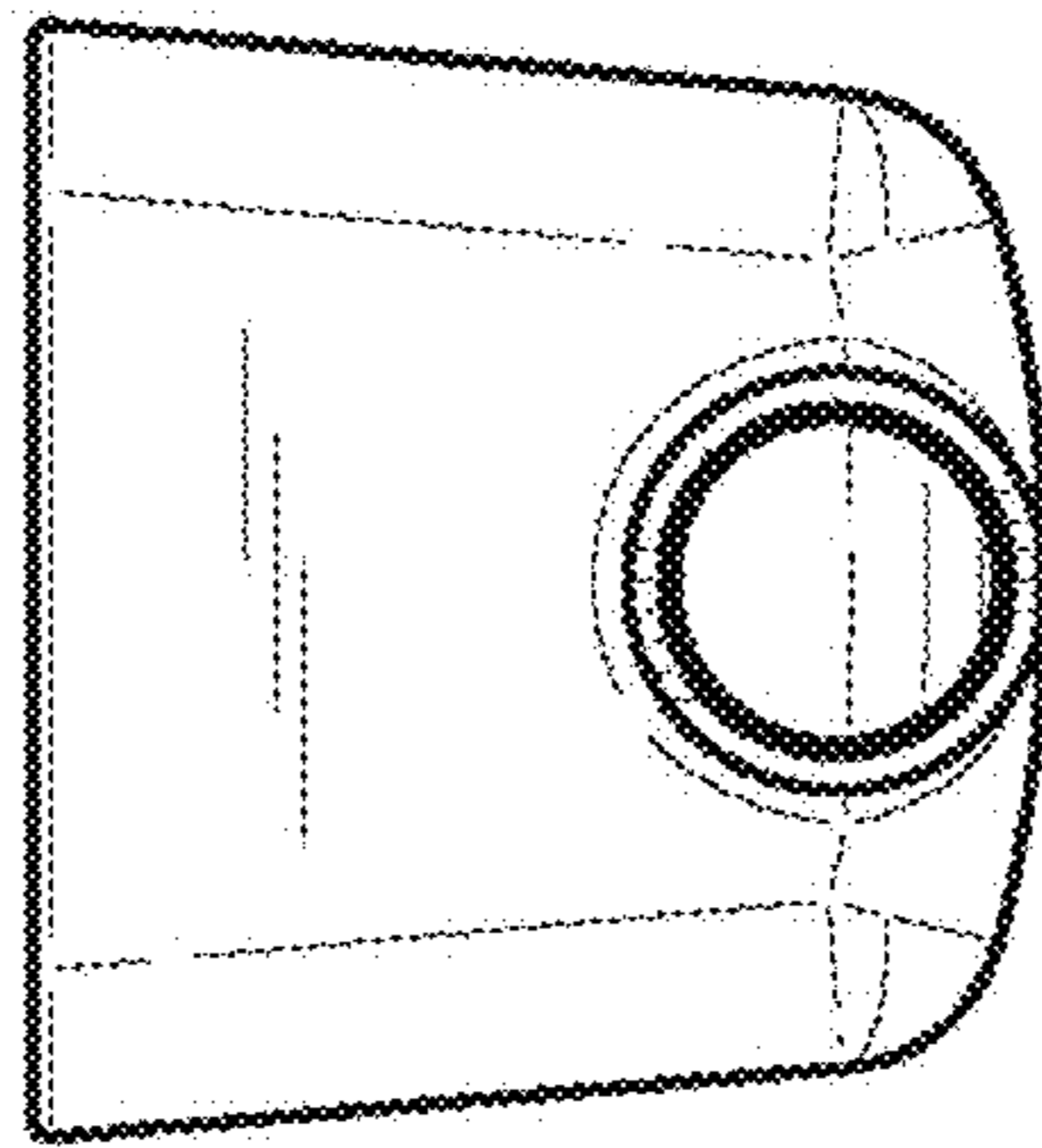


FIG. 3

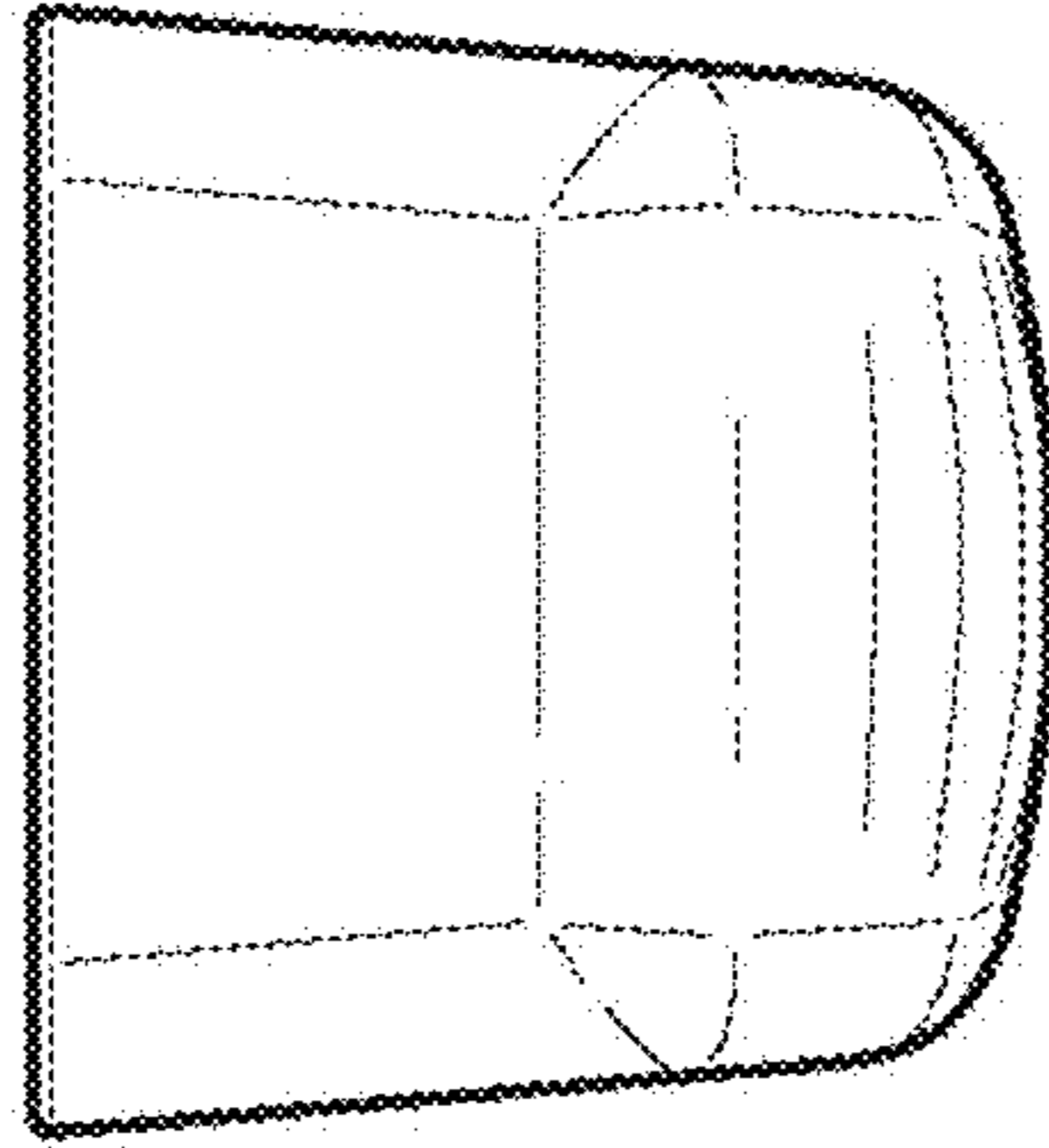


FIG. 4

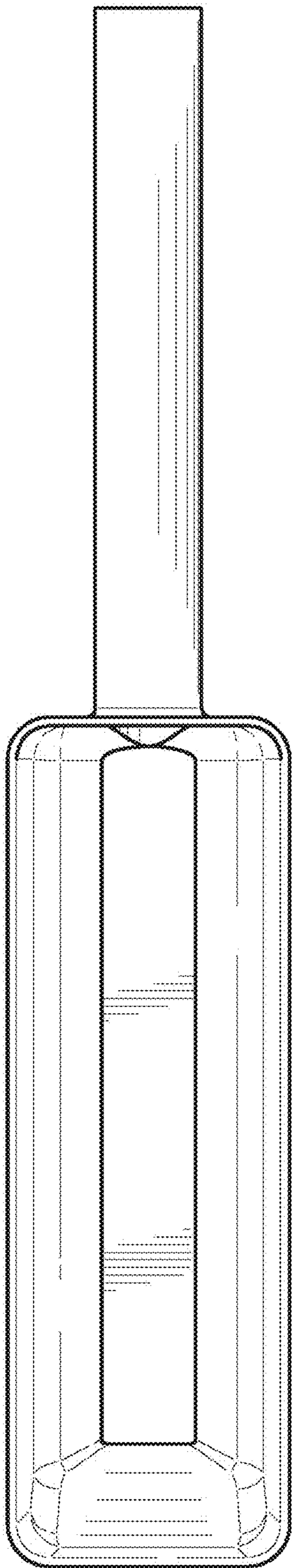


FIG. 5

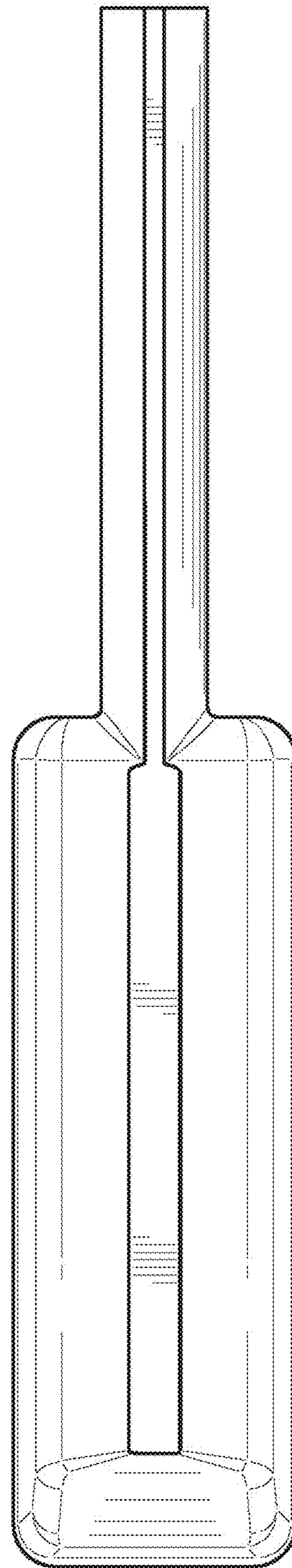


FIG. 6

FIG. 7

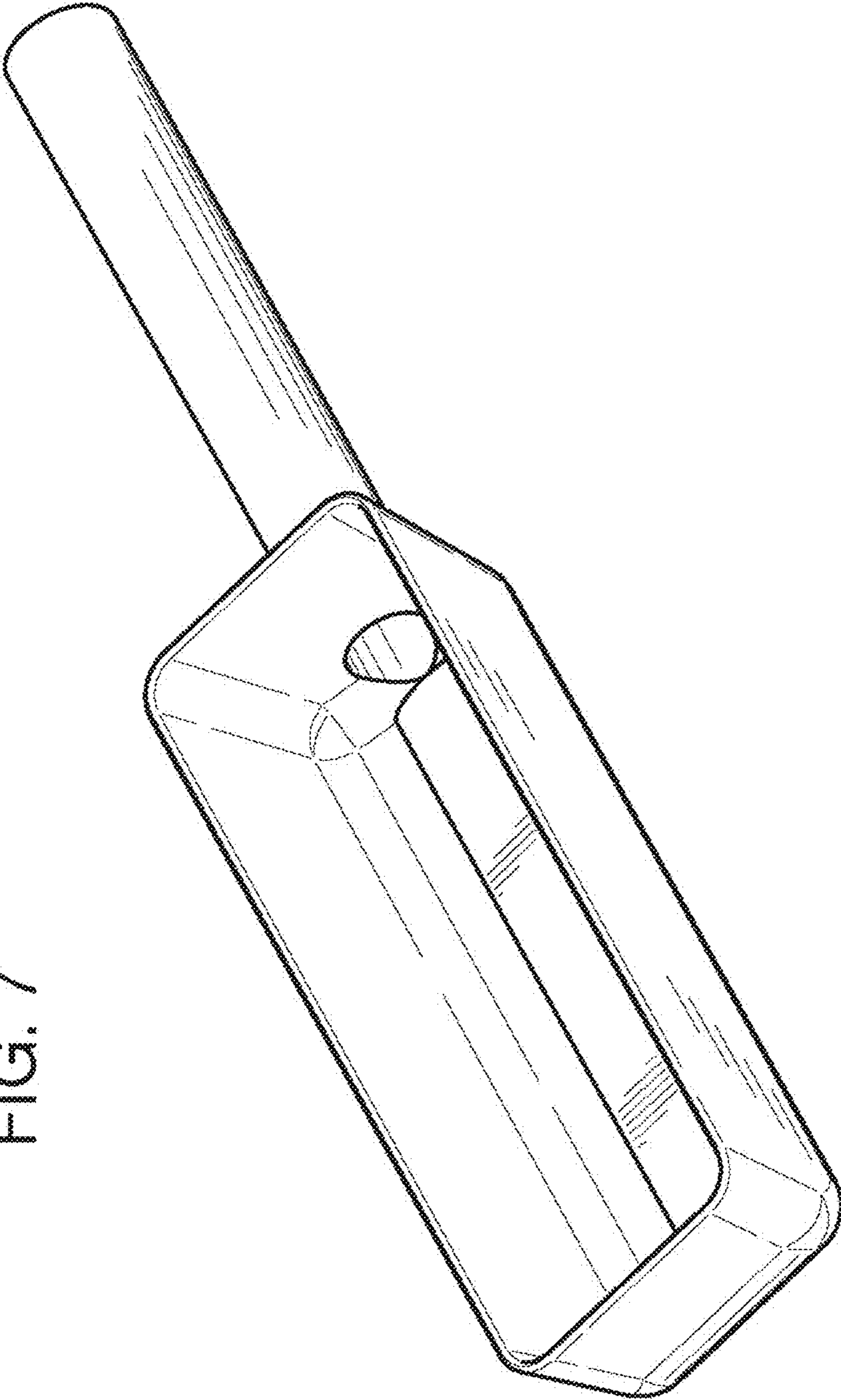


FIG. 8

