



US00D914202S

(12) **United States Design Patent**  
**Choate**

(10) **Patent No.:** **US D914,202 S**  
(45) **Date of Patent:** **\*\* Mar. 23, 2021**

- (54) **FOAM TIP**
- (71) Applicant: **Myco Industries, Inc.**, Milford, MI (US)
- (72) Inventor: **John R. Choate**, Milford, MI (US)
- (73) Assignee: **MYCO INDUSTRIES, INC.**, Milford, MI (US)
- (\*\*) Term: **15 Years**
- (21) Appl. No.: **29/629,976**
- (22) Filed: **Dec. 18, 2017**
- (51) **LOC (13) Cl.** ..... **24-02**
- (52) **U.S. Cl.**  
USPC ..... **D24/119**
- (58) **Field of Classification Search**  
USPC .... D24/110.6, 112, 113, 114, 115, 116, 117, D24/118, 119, 120, 121, 127, 130, 131; D28/7, 8, 20, 21, 22, 30, 31, 76, 85, 99; 132/108, 202, 208, 317.32; 401/202-207, 401/261-267; D4/132-135  
CPC ..... A61C 3/03; A61M 35/006; B25F 5/00; B25F 5/02; H02J 50/12; H02J 7/0047; H02J 7/0048; H02J 7/025; H02P 31/00  
See application file for complete search history.

(56) **References Cited**

**U.S. PATENT DOCUMENTS**

2,195,675	A	4/1940	Lewis	
4,838,851	A	6/1989	Shabo	
D379,508	S *	5/1997	Hudson	D24/119
D416,389	S *	11/1999	Frazier	D24/119
6,079,423	A	6/2000	Suzuki	
D456,078	S	4/2002	Peterson et al.	
D461,247	S	8/2002	Dragan et al.	

D511,022	S	10/2005	Easley	
D588,697	S	3/2009	Hickok	
D589,620	S	3/2009	Hickok	
D686,366	S *	7/2013	Ruiz, Sr.	D28/7
D701,308	S	3/2014	Brannon	
D705,426	S	5/2014	Fiorina et al.	
D721,802	S *	1/2015	Ohashi	D24/113
D761,417	S	7/2016	Rynerson et al.	
D822,201	S *	7/2018	Decker	D24/119
2006/0020238	A1	1/2006	Tsaur et al.	
2007/0275348	A1	11/2007	Lemon	
2011/0091264	A1 *	4/2011	Zhang	A45D 34/04 401/139
2011/0150557	A1 *	6/2011	Bissah	A61K 8/0208 401/262
2011/0150558	A1 *	6/2011	Bissah	A61F 15/001 401/262
2019/0190436	A1 *	6/2019	Choate	B25F 5/02

\* cited by examiner

*Primary Examiner* — Samantha Q Lawrence

(74) *Attorney, Agent, or Firm* — Brooks Kushman PC

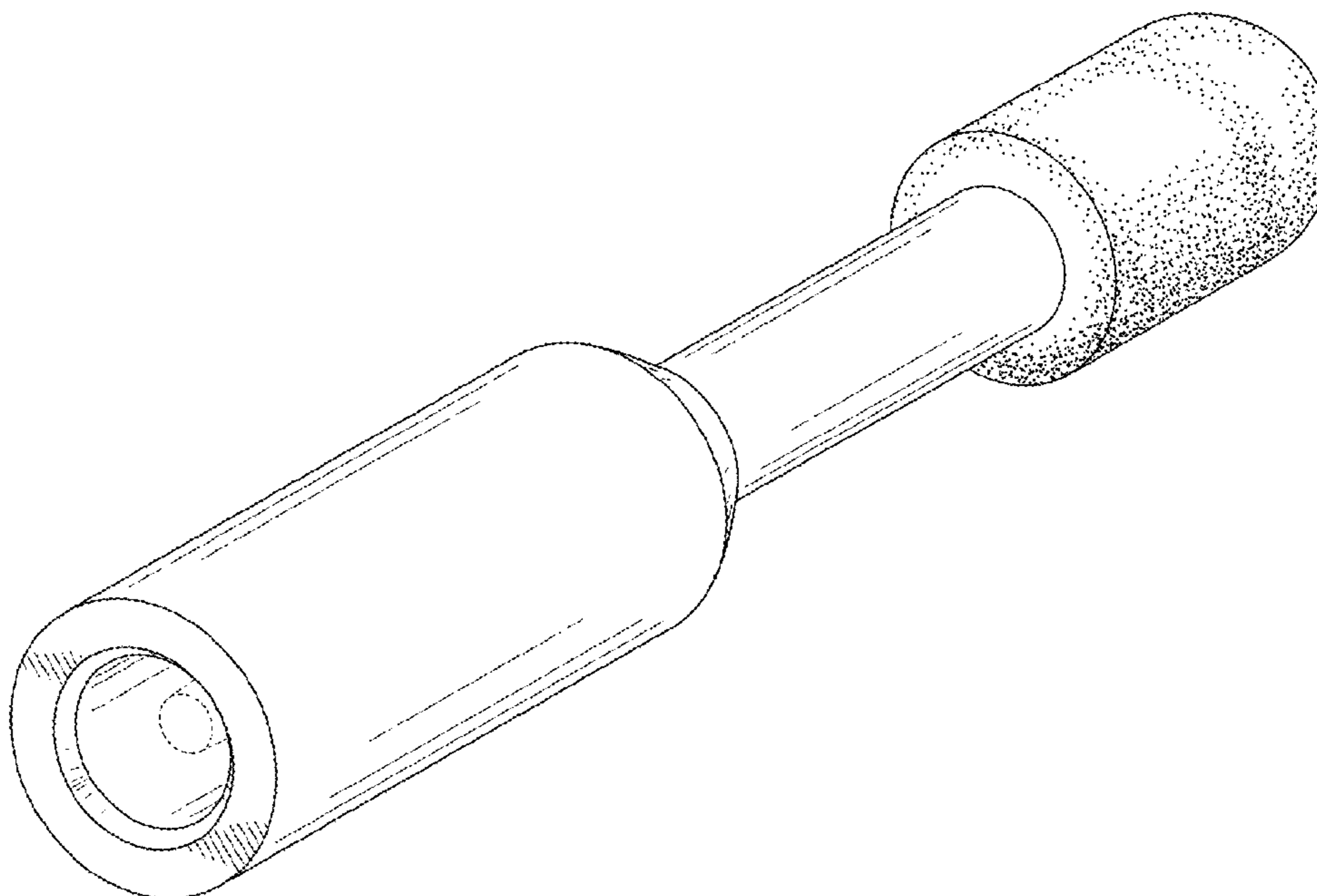
(57) **CLAIM**

The ornamental design for a foam tip, as shown and described.

**DESCRIPTION**

FIG. 1 is a perspective view of a foam tip;  
 FIG. 2 is a front side elevational view, with the right, left, and rear side elevational views being mirror images thereof;  
 FIG. 3 is a top plan view thereof;  
 FIG. 4 is a bottom plan view thereof; and,  
 FIG. 5 is a partially enlarged cross-section side elevational view taken along line 5-5 of FIG. 2.  
 The broken lines shown in FIGS. 1, 4, and 5 illustrate portions of the foam tip and form no part of the claimed design.

**1 Claim, 3 Drawing Sheets**



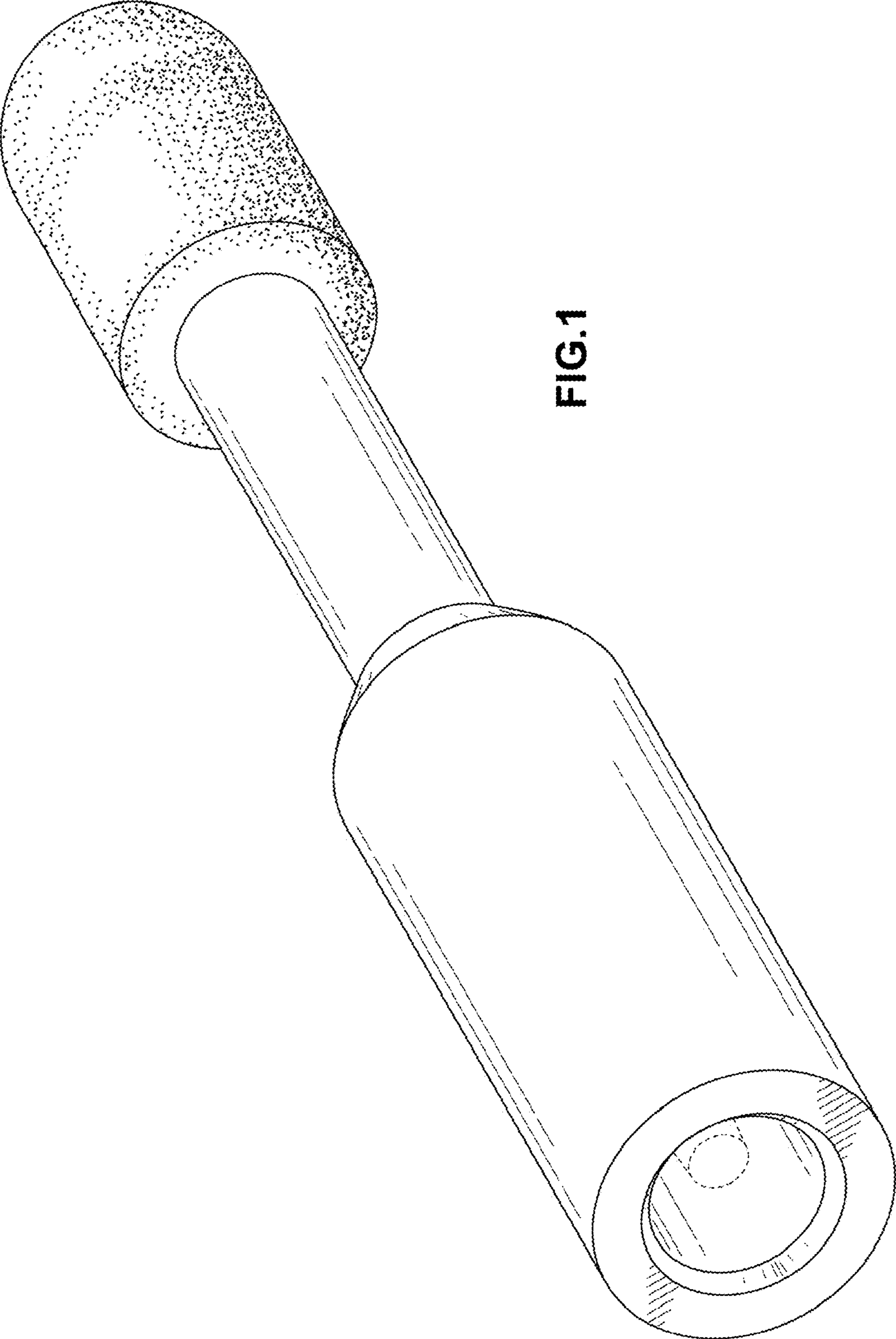
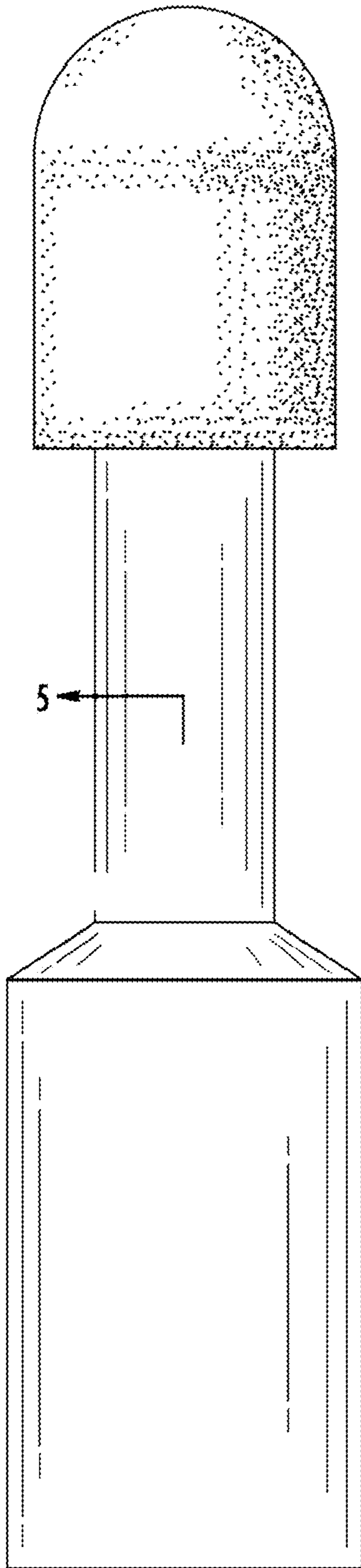


FIG.1



5 ← FIG. 2

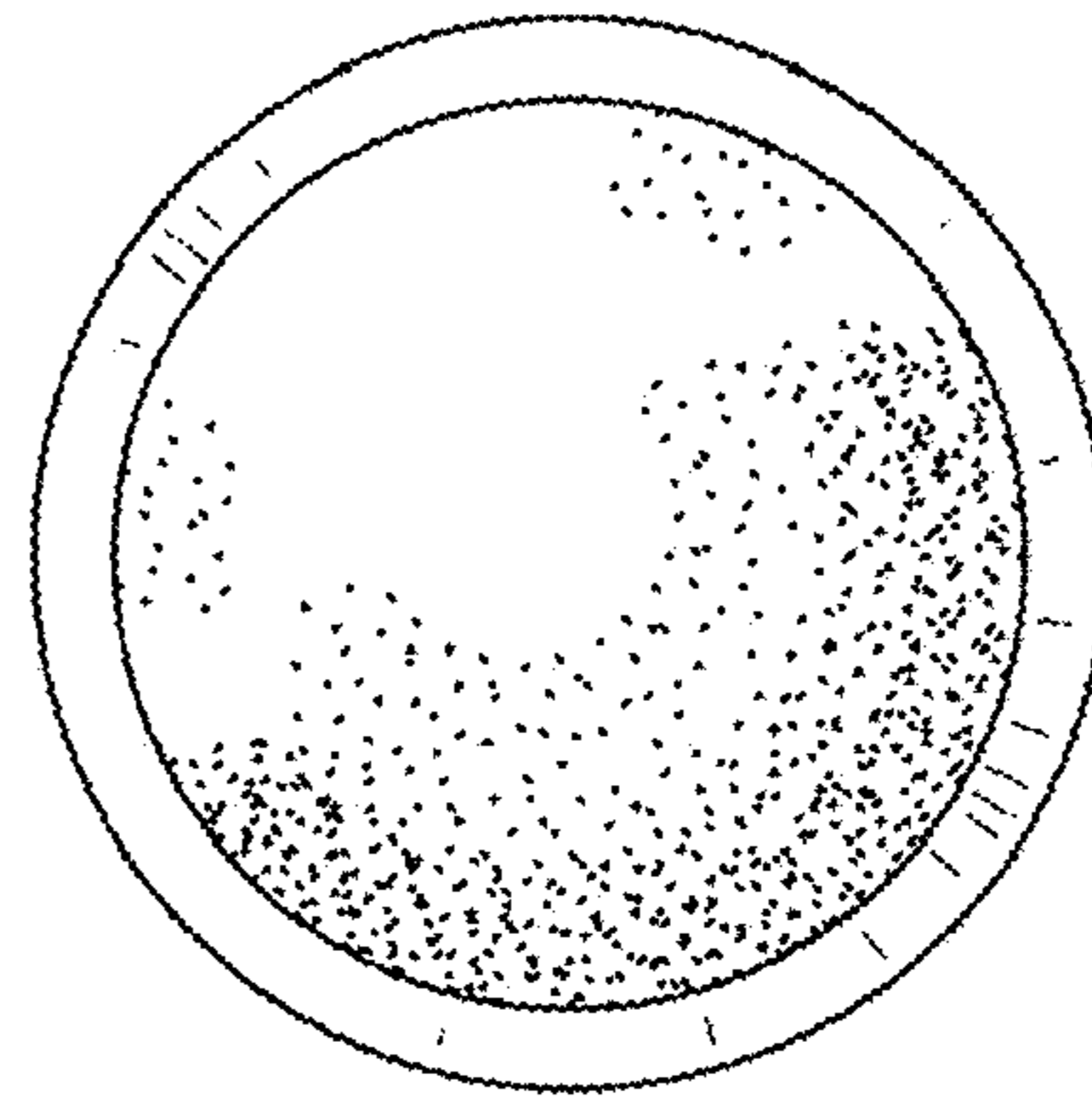


FIG. 3

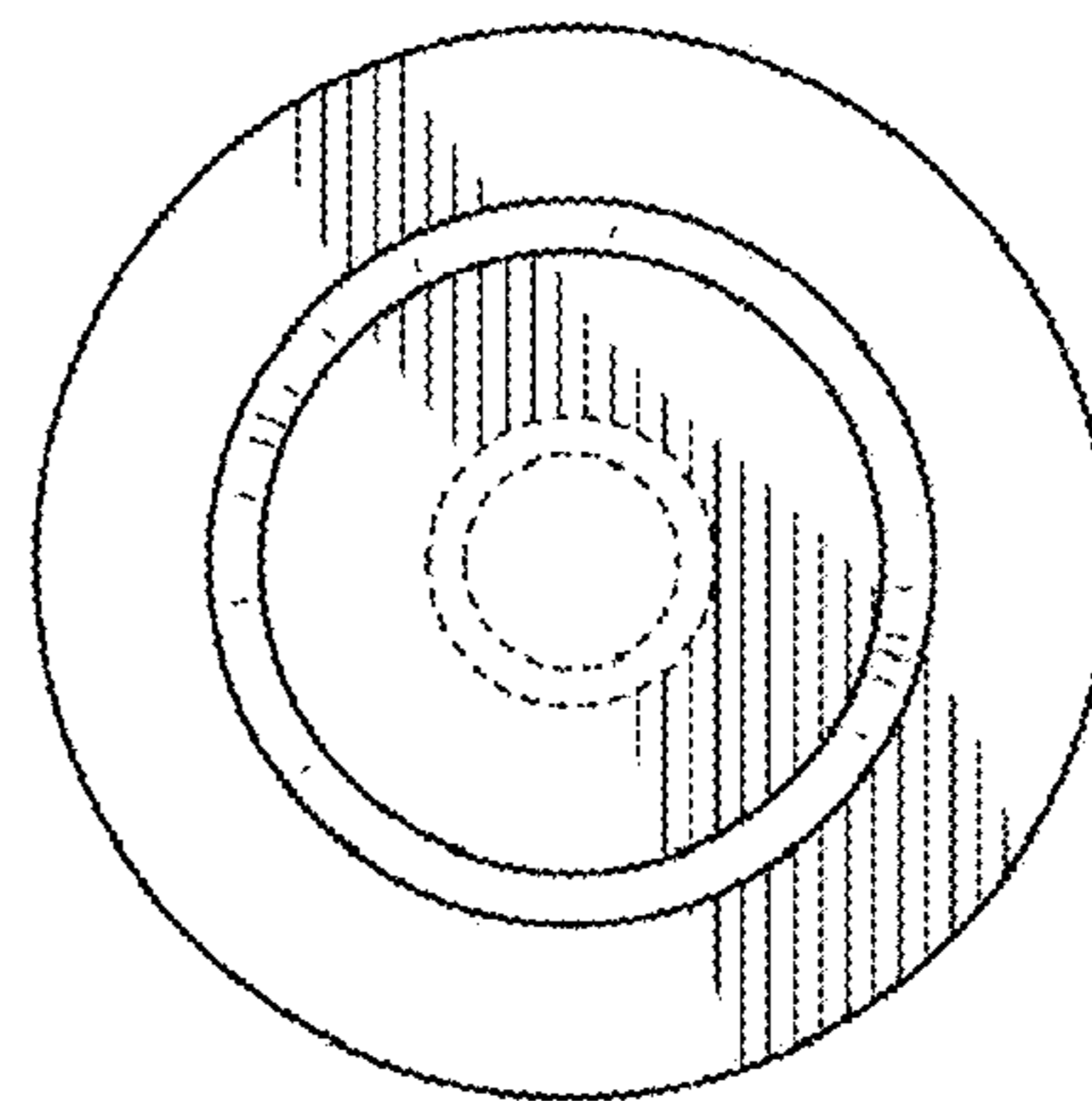


FIG. 4

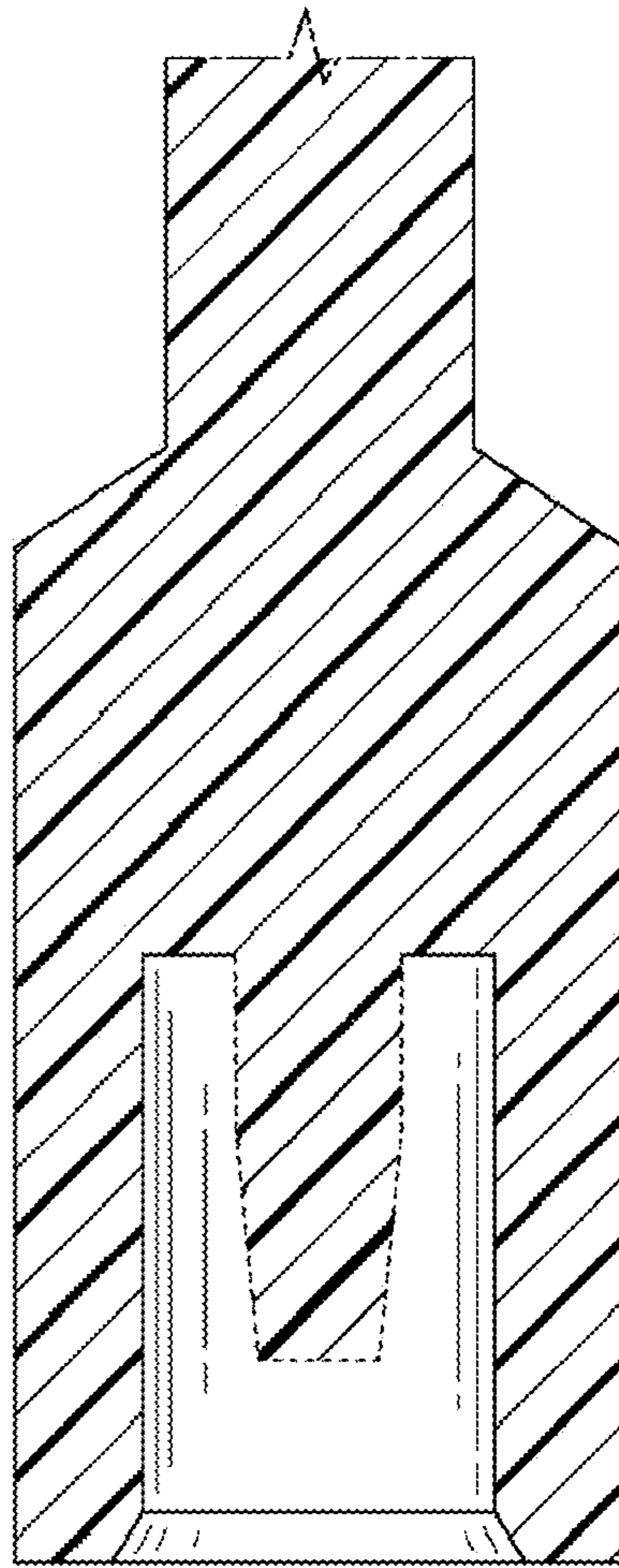


FIG. 5