



US00D914201S

(12) **United States Design Patent** (10) **Patent No.:** **US D914,201 S**  
**Schultz** (45) **Date of Patent:** **\*\* Mar. 23, 2021**

(54) **MEDICAL CONNECTOR CONTAMINATION PREVENTION DEVICE**

(56) **References Cited**

U.S. PATENT DOCUMENTS

(71) Applicant: **Splash Medical Devices, LLC**, Atlanta, GA (US)

5,985,962 A \* 11/1999 Knors ..... C08L 23/0815  
524/101

(72) Inventor: **Joseph P. Schultz**, Atlanta, GA (US)

6,361,524 B1 \* 3/2002 Odell ..... A61M 5/3129  
604/181

(\*\*) Term: **15 Years**

D667,950 S \* 9/2012 Hyun ..... D24/130

(21) Appl. No.: **29/670,204**

D771,807 S \* 11/2016 Zalewski ..... D24/130

(22) Filed: **Nov. 14, 2018**

D835,269 S \* 12/2018 Di Ubaldi ..... D24/130

D836,772 S \* 12/2018 Nandi ..... D24/114

D837,983 S \* 1/2019 Fangrow ..... A61M 5/142  
D24/146

D839,422 S \* 1/2019 Gro er ..... D24/130

\* cited by examiner

**Related U.S. Application Data**

*Primary Examiner* — David G Muller

(63) Continuation of application No. 15/971,091, filed on May 4, 2018, which is a continuation of application No. 14/208,487, filed on Mar. 13, 2014, now Pat. No. 9,974,941.

(74) *Attorney, Agent, or Firm* — Merchant & Gould P.C.

(51) **LOC (13) Cl.** ..... **24-02**

(57) **CLAIM**

The ornamental design for a medical connector contamination prevention device, as shown and described.

(52) **U.S. Cl.**

USPC ..... **D24/114**

**DESCRIPTION**

(58) **Field of Classification Search**

USPC ..... D24/112–114, 108, 133, 130, 127, 186;  
606/181, 185; 604/264, 272, 187, 181,  
604/184, 227

FIG. 1 is a front side view of a reduced-touch contamination device with a fixed shield, integrated within a medical device, of the present invention. The side view of FIG. 1 is identical to left right and back side views.

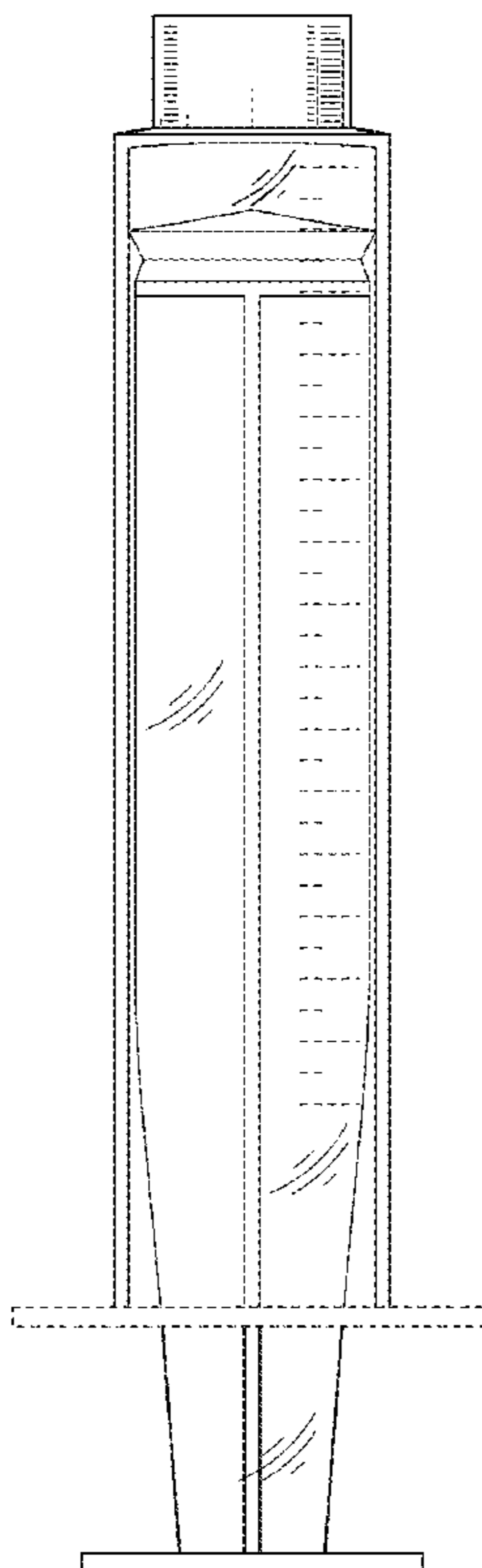
FIG. 2 is a cross-sectional isolated enlarged view of the fixed shield integrated within the medical device shown in FIG. 1; and,

CPC ..... A61M 5/178; A61M 3/00; A61M 5/20;  
A61M 5/31; A61M 5/3146; A61M  
5/3129; A61M 5/3148; A61M 5/315

FIG. 3 is a top view of the reduced-touch contamination device shown in FIG. 1.

See application file for complete search history.

**1 Claim, 1 Drawing Sheet**



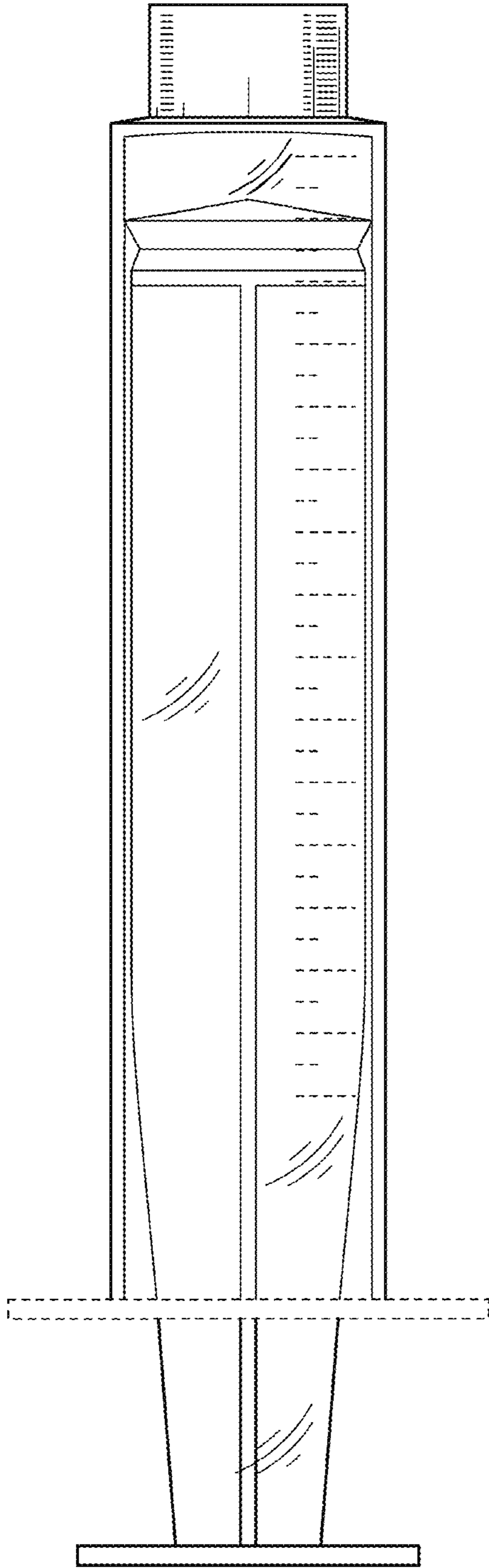


FIG. 1

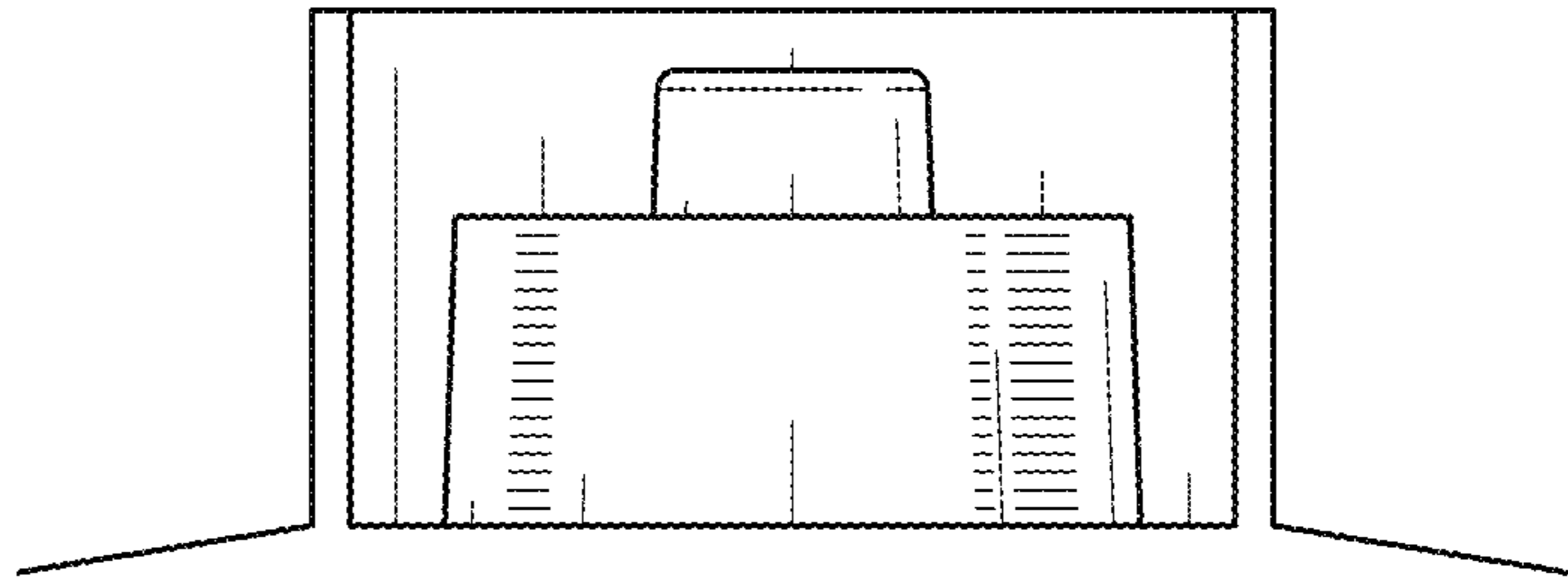


FIG. 2

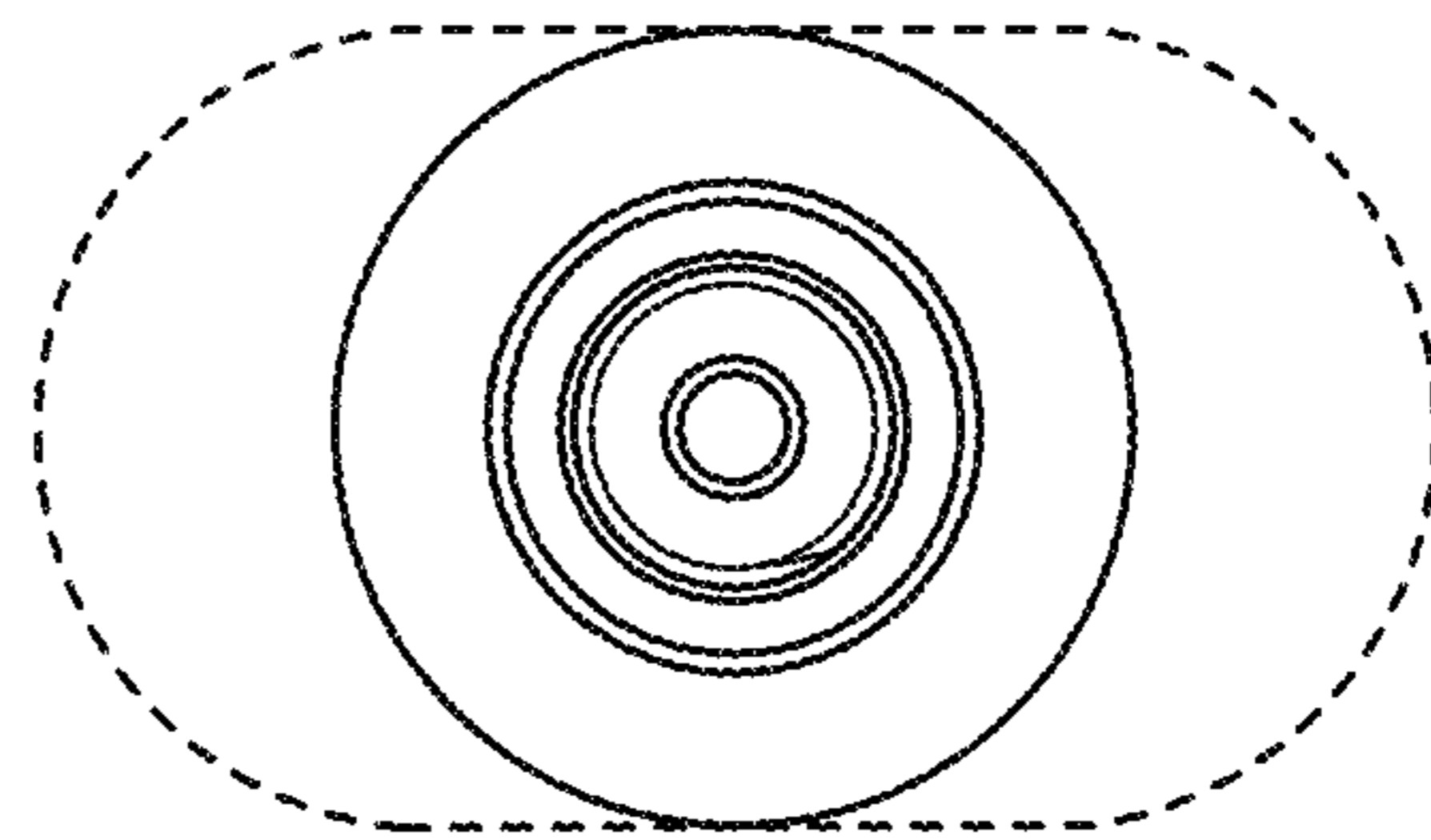


FIG. 3