



US00D914200S

(12) **United States Design Patent** (10) **Patent No.:** **US D914,200 S**
Gregory et al. (45) **Date of Patent:** **** Mar. 23, 2021**

(54) **MEDICAMENT DELIVERY DEVICE**
(71) Applicant: **Zealand Pharma A/S**, Søborg (DK)
(72) Inventors: **Christopher Gregory**, Hopkinton, MA (US); **Geoffrey Jenkins**, Dartmouth, MA (US); **Matthew Johnson**, Boylston, MA (US)
(73) Assignee: **ZEALAND PHARMA A/S**, Søborg (DK)

D877,893 S * 3/2020 Stonecipher D24/112
2002/0169439 A1 11/2002 Flaherty
2011/0306929 A1* 12/2011 Levesque A61M 5/1684
604/150
2016/0213856 A1 7/2016 Despa et al.
2017/0035960 A1* 2/2017 Elder A61M 5/172
2017/0119969 A1 5/2017 McCullough et al.
2018/0228966 A1* 8/2018 Barmaimon A61M 5/14248
2018/0353682 A1* 12/2018 Laurence G16H 40/63
2019/0009019 A1* 1/2019 Shor A61M 5/345
2019/0022317 A1* 1/2019 Uddin A61M 5/20
(Continued)

(**) Term: **15 Years**

FOREIGN PATENT DOCUMENTS

(21) Appl. No.: **29/740,176**

WO 2016029758 A1 3/2016
WO 2016041867 A1 3/2016
WO 2017071983 A1 5/2017

(22) Filed: **Jul. 1, 2020**

OTHER PUBLICATIONS

Related U.S. Application Data

International Search Report dated Nov. 14, 2018 for International PCT Patent Application No. PCT/US2018/042079, 4 pages.
(Continued)

(63) Continuation of application No. 16/627,577, filed as application No. PCT/US2018/042079 on Jul. 13, 2018.

(51) **LOC (13) Cl.** **24-02**

Primary Examiner — David G Muller

(52) **U.S. Cl.**
USPC **D24/113**

(74) *Attorney, Agent, or Firm* — Morgan, Lewis & Bockius LLP

(58) **Field of Classification Search**
USPC D24/112–114, 108, 133, 130, 127, 186;
606/181, 185; 604/264, 272, 187, 181,
604/184, 227
CPC A61M 5/178; A61M 3/00; A61M 5/20;
A61M 5/31; A61M 5/3146; A61M
5/3129; A61M 5/3148; A61M 5/315
See application file for complete search history.

(57) **CLAIM**

The ornamental design for a medicament delivery device, as shown and described.

(56) **References Cited**

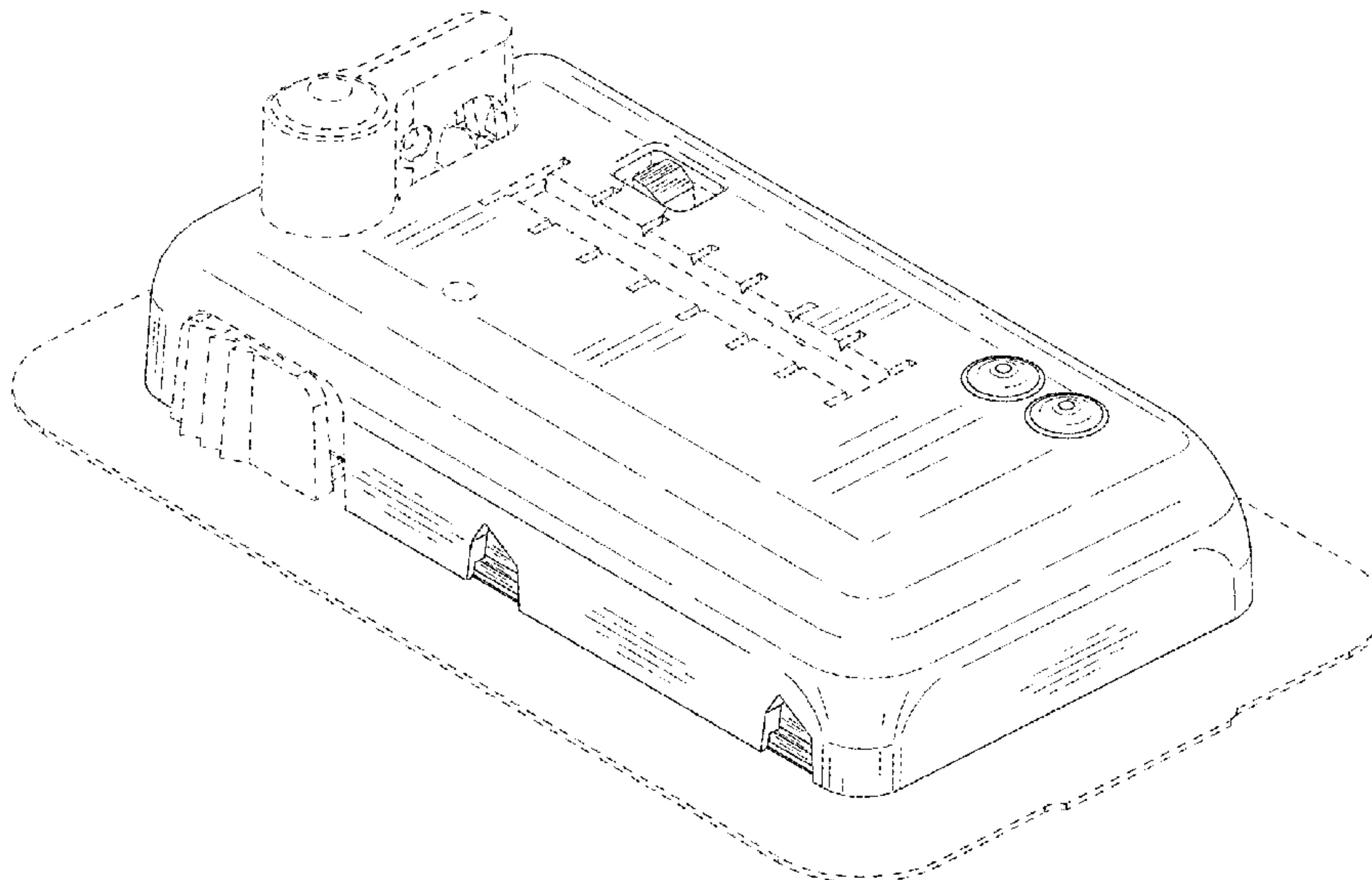
DESCRIPTION

U.S. PATENT DOCUMENTS

FIG. 1 is a front perspective view of a medicament delivery device showing our new design;
FIG. 2 is a bottom elevational view thereof;
FIG. 3 is a right-side elevational view thereof; and,
FIG. 4 is a top plan view thereof.
The broken lines illustrate structure or features that form no part of the claimed design.

8,708,957 B2 4/2014 Jespersen et al.
D829,889 S * 10/2018 Hwang D24/112
D857,191 S * 8/2019 Hwang D24/112
D877,892 S * 3/2020 Stonecipher D24/112

1 Claim, 4 Drawing Sheets



(56)

References Cited

U.S. PATENT DOCUMENTS

2019/0192765 A1* 6/2019 Kim A61M 5/168
2019/0192766 A1* 6/2019 Stonecipher A61M 5/14248
2020/0316291 A1* 10/2020 Gibson A61M 5/315

OTHER PUBLICATIONS

Written Opinion dated Nov. 14, 2018 for International PCT Patent
Application No. PCT/US2018/042079, 7 pages.

* cited by examiner

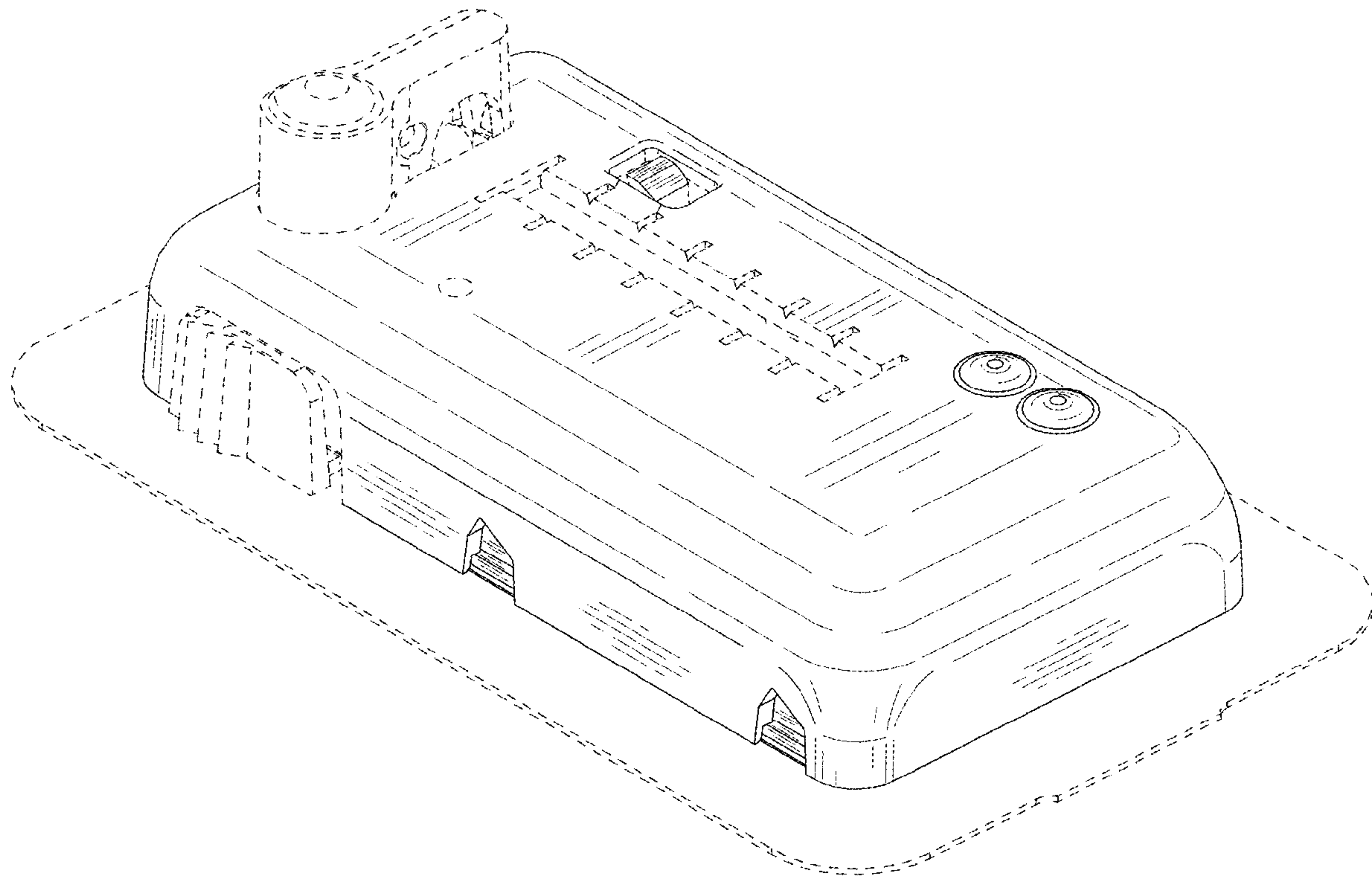


FIG. 1

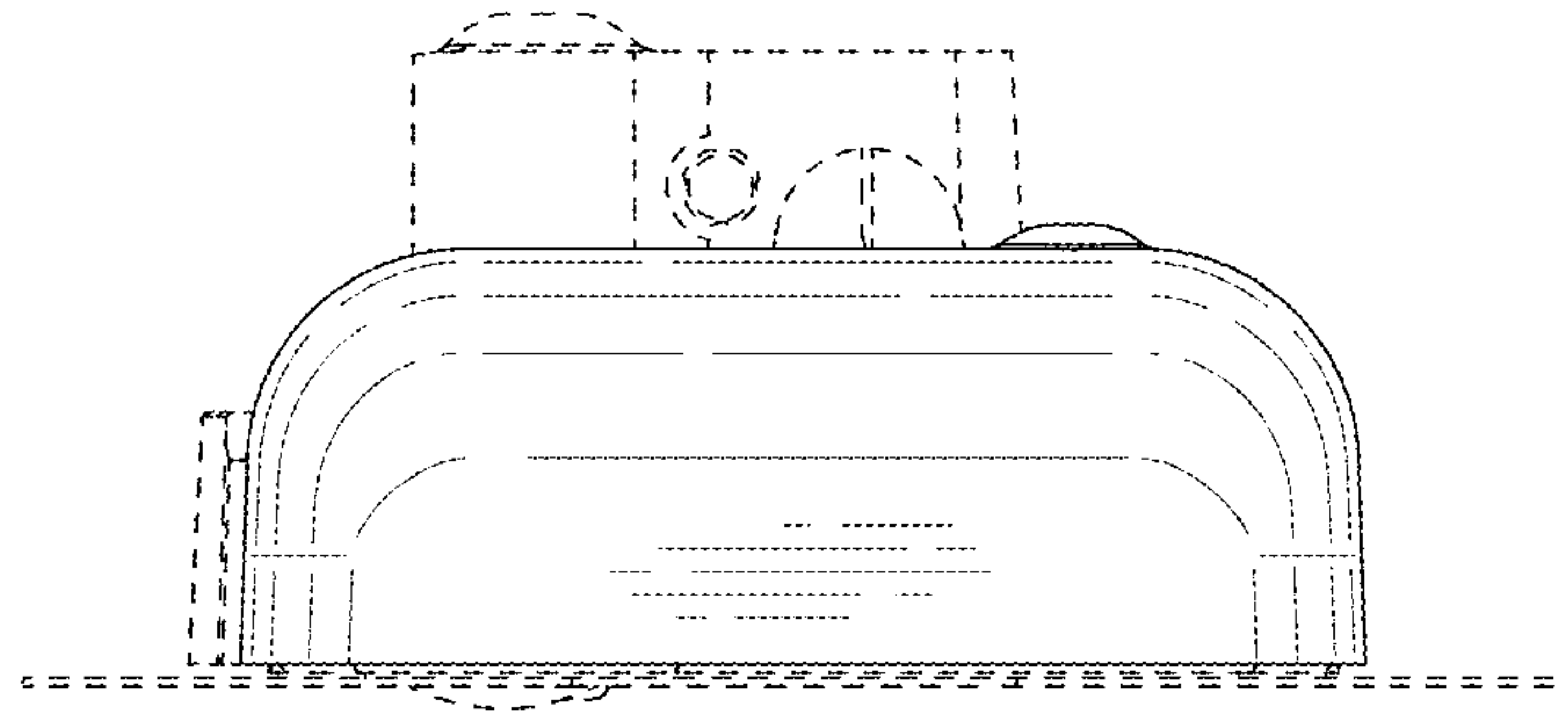


FIG. 2

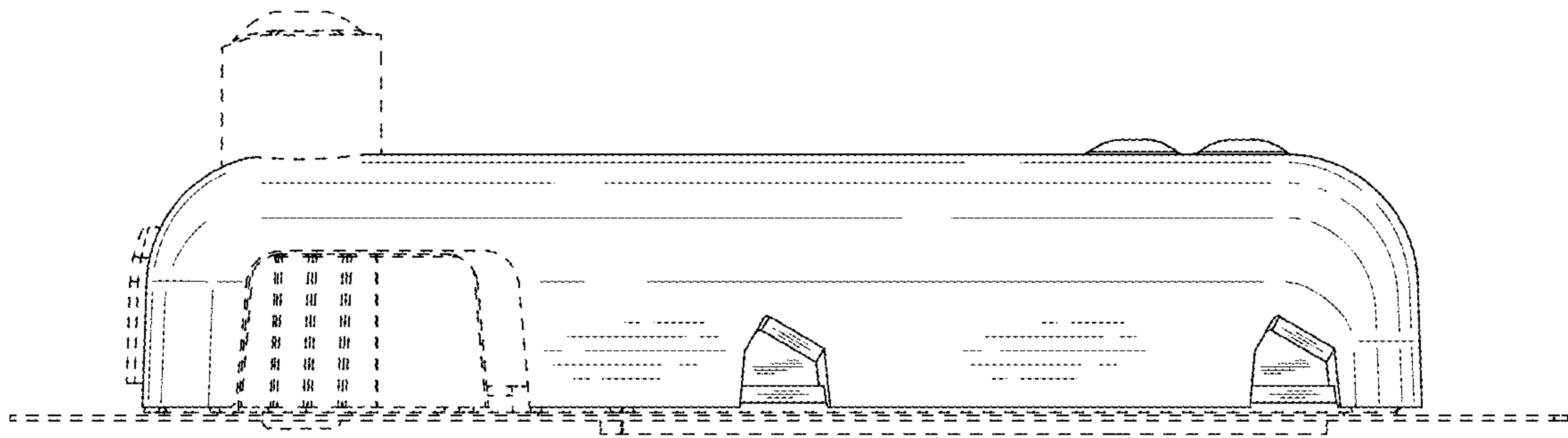


FIG. 3

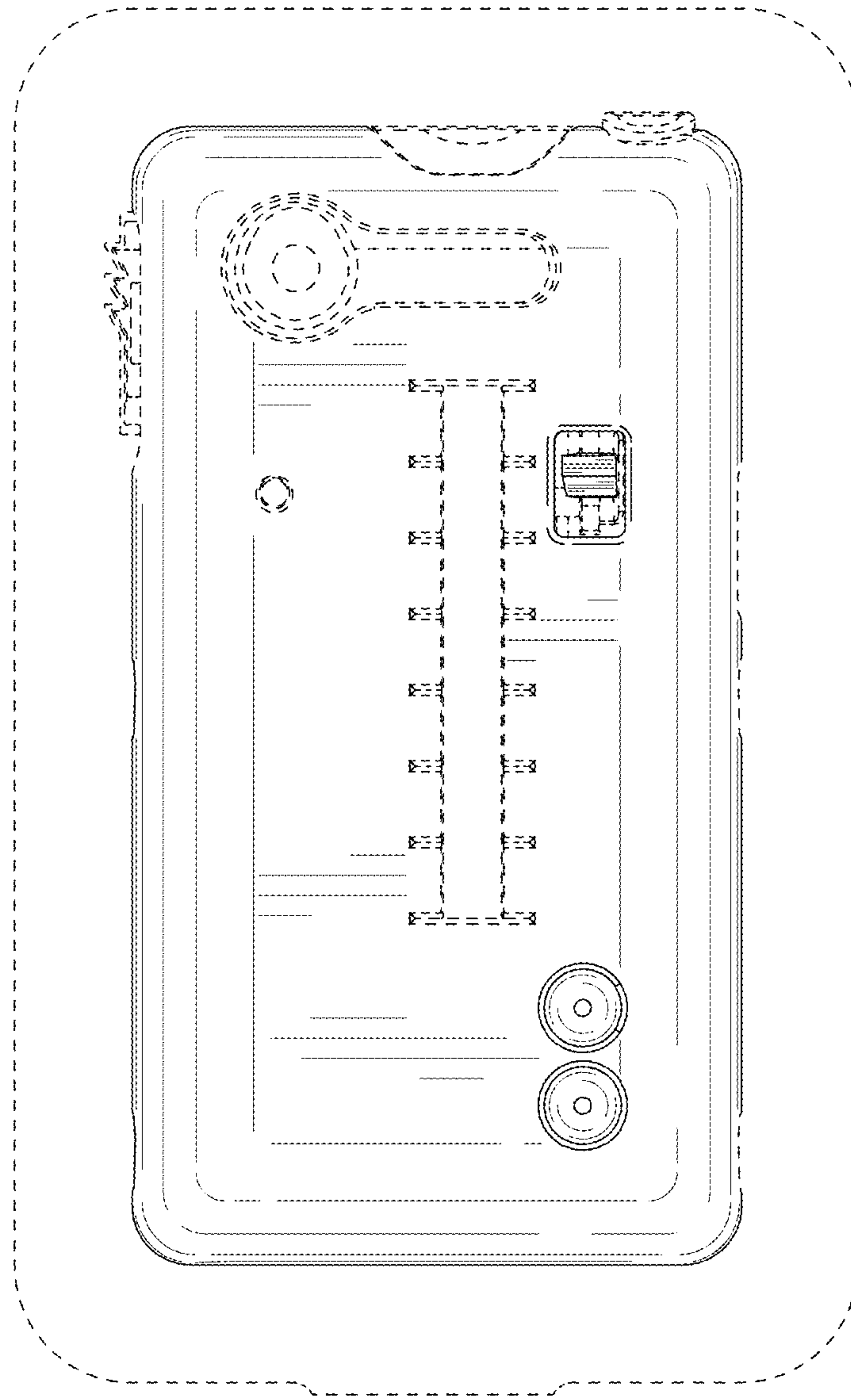


FIG. 4