



US00D914199S

(12) **United States Design Patent** (10) **Patent No.:** **US D914,199 S**
Levy (45) **Date of Patent:** **** Mar. 23, 2021**

(54) **COMPONENT FOR A DRUG DELIVERY DEVICE**

(71) Applicant: **Eli Lilly and Company**, Indianapolis, IN (US)

(72) Inventor: **Kathryn Amanda Levy**, Indianapolis, IN (US)

(73) Assignee: **Eli Lilly and Company**, Indianapolis, IN (US)

(**) Term: **15 Years**

(21) Appl. No.: **29/661,625**

(22) Filed: **Aug. 29, 2018**

(51) **LOC (13) Cl.** **24-02**

(52) **U.S. Cl.**
USPC **D24/113**

(58) **Field of Classification Search**

USPC D24/112-114, 108, 130, 127, 133, 186;
606/181, 185; 605/264, 523-528, 272,
605/164.01-164.11, 187, 93.01; 600/101,
600/139, 143; 128/200.24, 207.14,
128/207.15

CPC .. A61M 25/065; A61M 5/42; A61M 25/0612;
A61M 25/00; A61M 39/00; A61M 27/00;
A61M 25/0043; A61M 25/0067; A61M
25/0097; A61F 2/958

See application file for complete search history.

(56) **References Cited**

U.S. PATENT DOCUMENTS

D480,007 S * 9/2003 Mungur D9/538
D496,101 S * 9/2004 Davison D24/112
D535,189 S * 1/2007 Pitman D9/452
D562,144 S * 2/2008 Lane D9/556
D581,279 S * 11/2008 Oates D28/76
D606,401 S * 12/2009 Kamath D9/453

(Continued)

FOREIGN PATENT DOCUMENTS

WO 2016131713 8/2016
WO 2016142727 9/2016

(Continued)

OTHER PUBLICATIONS

Design U.S. Appl. No. 29/661,604, filed Aug. 29, 2018 entitled "Component for a Drug Delivery Device" consisting of a 4-page Specification and 16 Pages of Figures.

(Continued)

Primary Examiner — David G Muller

(74) *Attorney, Agent, or Firm* — M. Daniel Spillman

(57) **CLAIM**

The ornamental design for a component for a drug delivery device, as shown and described.

DESCRIPTION

The file of this patent contains at least one computer-generated image executed in color. Copies of this patent with computer-generated images will be provided by the Office upon request and payment of the necessary fee.

FIG. 1 is a front, top perspective view of a component for a drug delivery device, showing the new design;

FIG. 2 is a front elevation view thereof, wherein the rear elevation view, the left side view, and the right side view are identical thereto;

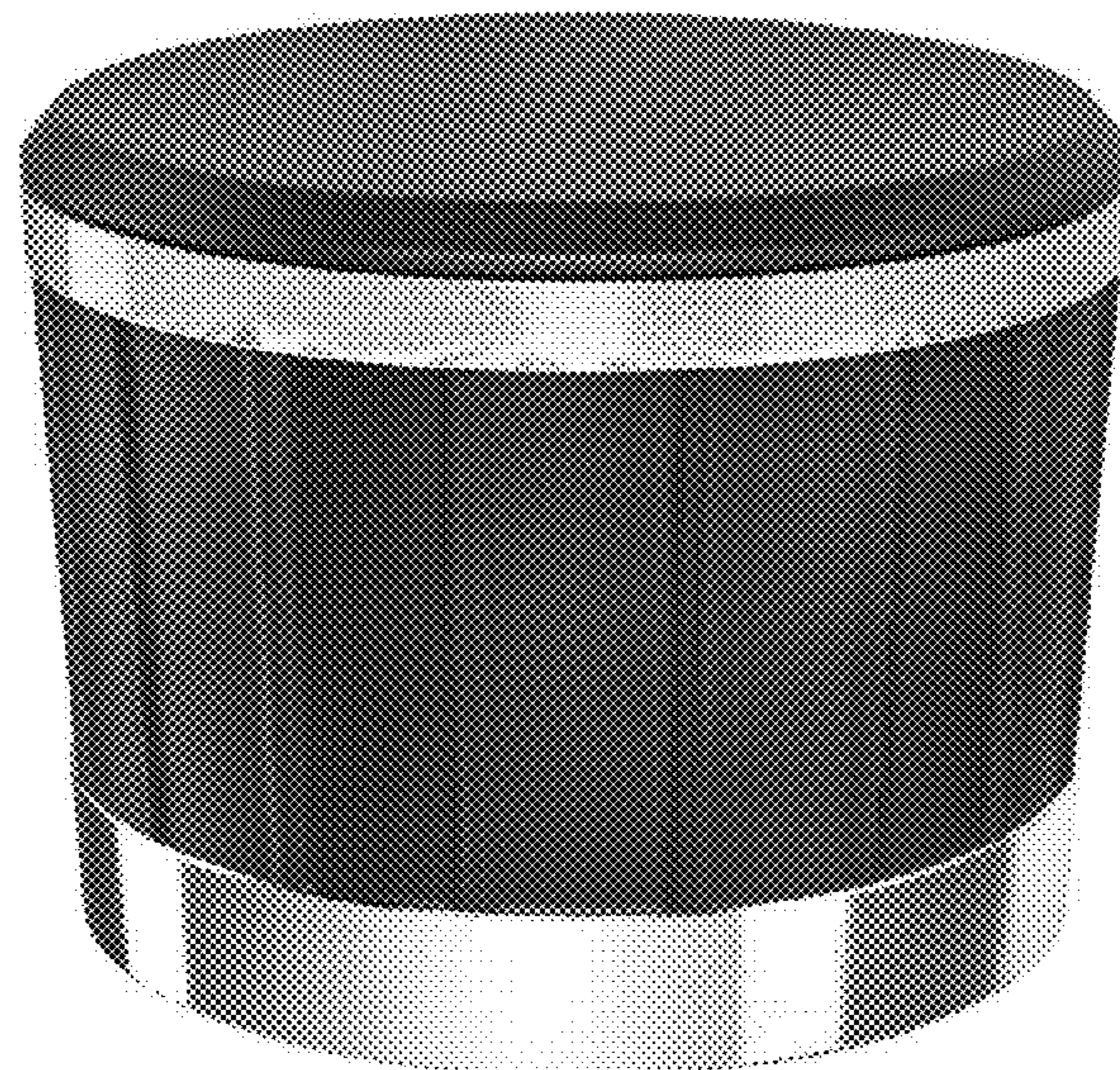
FIG. 3 is a top plan view thereof;

FIG. 4 is a bottom plan view thereof; and,

FIG. 5 is a second top, perspective view thereof.

The broken lines of uneven length in FIG. 4 define the boundary of the claimed design and form no part of the claimed design. The area of lighter contrast within the broken lines of uneven length form no part of the claimed design.

1 Claim, 5 Drawing Sheets
(1 of 5 Drawing Sheet(s) Filed in Color)



(56)

References Cited

U.S. PATENT DOCUMENTS

D628,077 S * 11/2010 Lee D9/439
D662,827 S * 7/2012 Watabe D9/453
D675,526 S * 2/2013 Obrist D9/453
D732,162 S * 6/2015 Fourt D24/114
D797,929 S * 9/2017 Davis D24/130
D802,760 S * 11/2017 Neby D24/130
D853,240 S * 7/2019 Steel D9/500

FOREIGN PATENT DOCUMENTS

WO 2016193229 12/2016
WO 2016198516 12/2016
WO 2017032586 3/2017
WO 2018013419 1/2018
WO 2018160425 9/2018
WO 2019036576 2/2019
WO 2019040117 2/2019
WO 2019040118 2/2019
WO 2019040313 2/2019
WO 2019164955 8/2019

OTHER PUBLICATIONS

Design U.S. Appl. No. 29/661,609, filed Aug. 29, 2018 entitled
"Component for a Drug Delivery Device" consisting of a 5-page
Specification and 24 Pages of Figures.

Design U.S. Appl. No. 29/661,620, filed Aug. 29, 2018 entitled
"Drug Delivery Device" consisting of a 4-page Specification and 25
Pages of Figures.

* cited by examiner

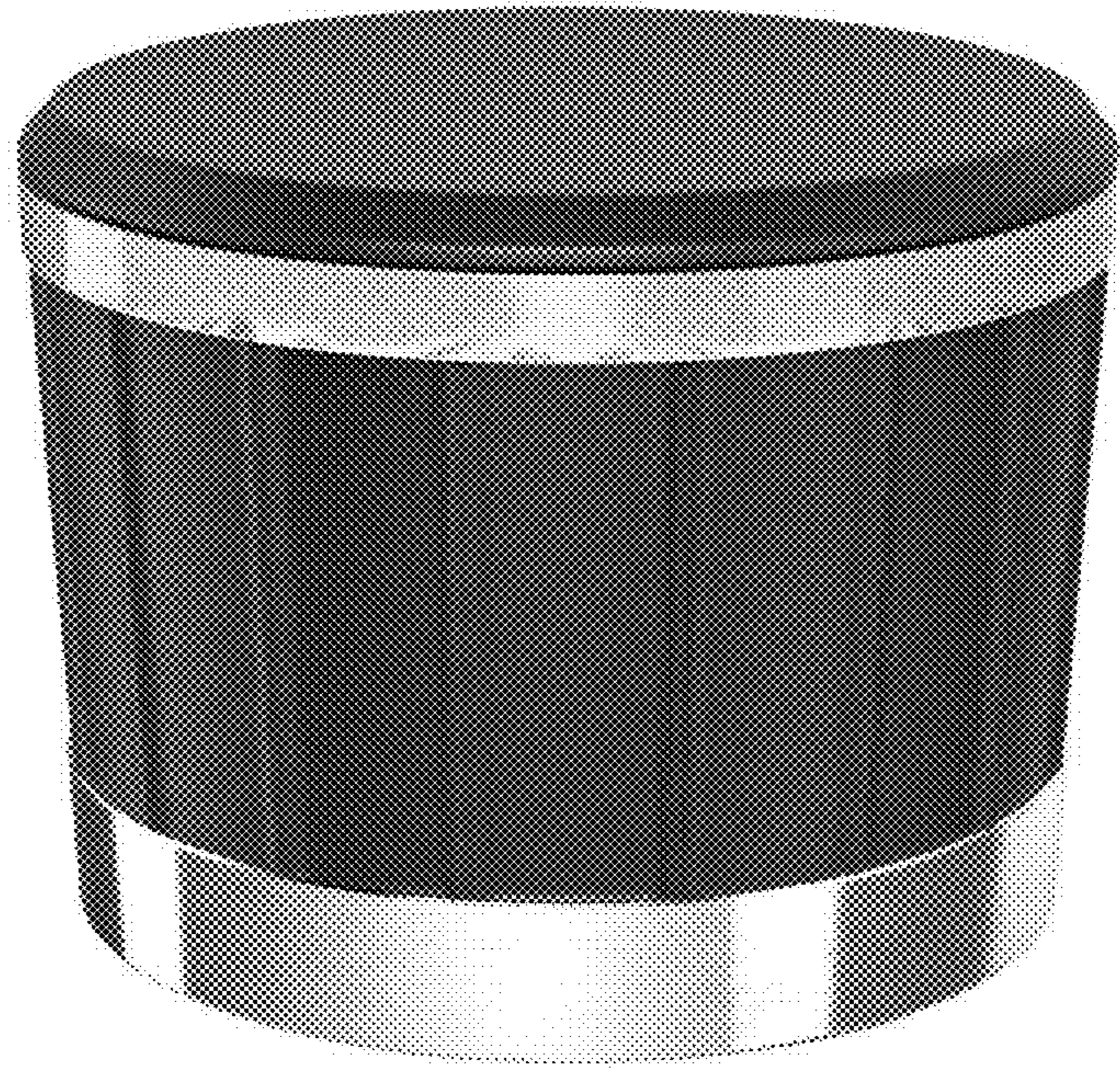


FIG. 1

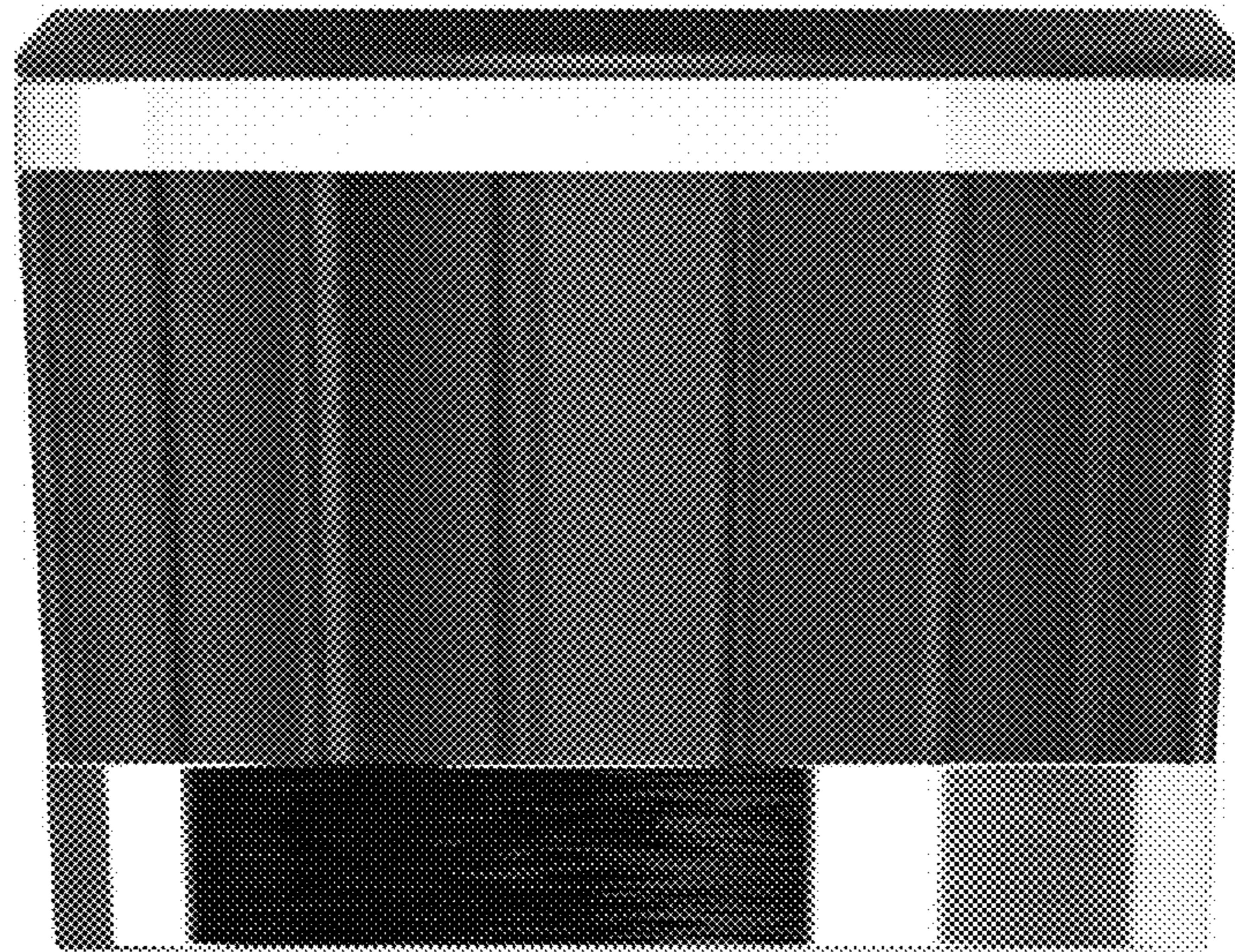


FIG. 2

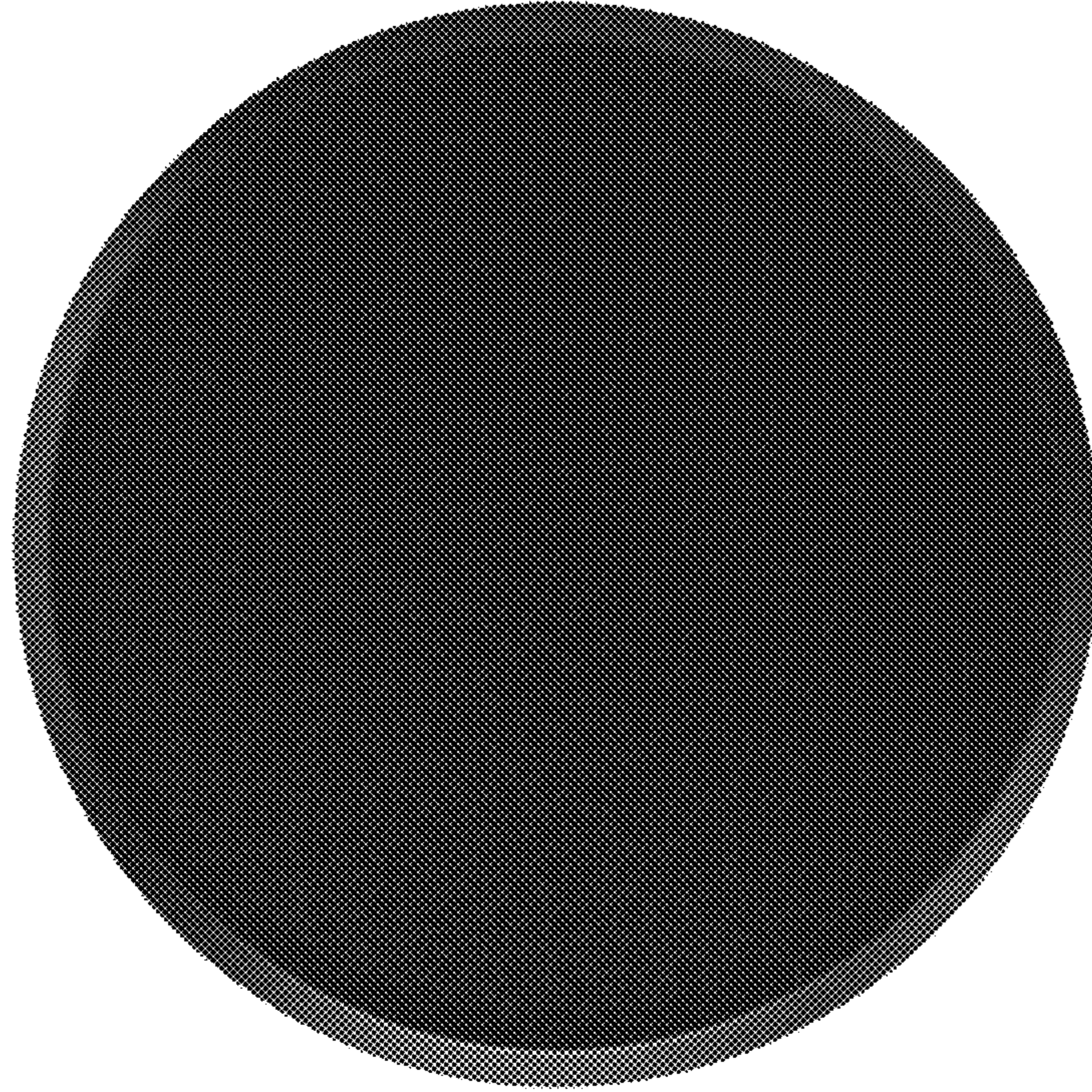


FIG. 3

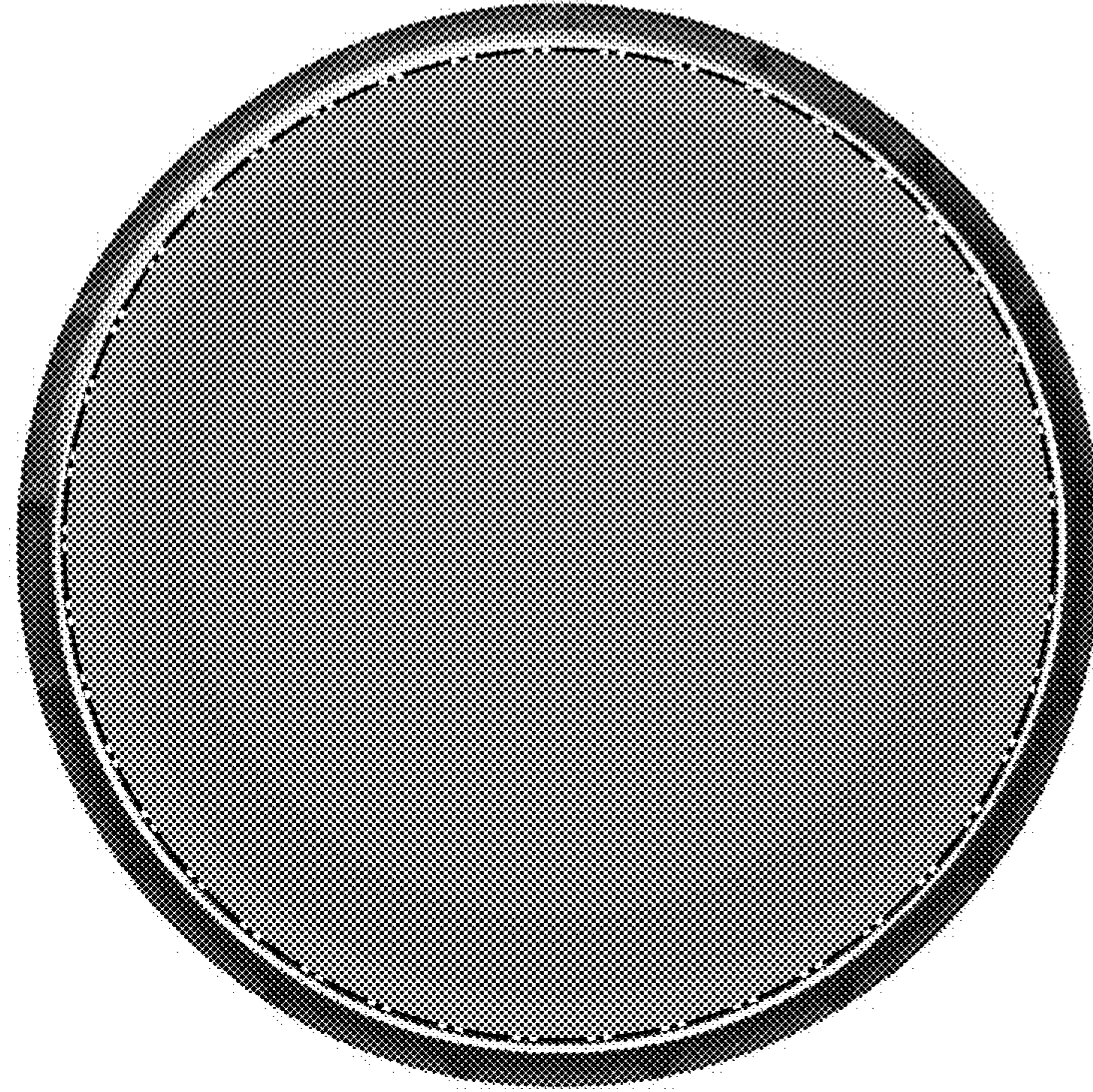


FIG. 4

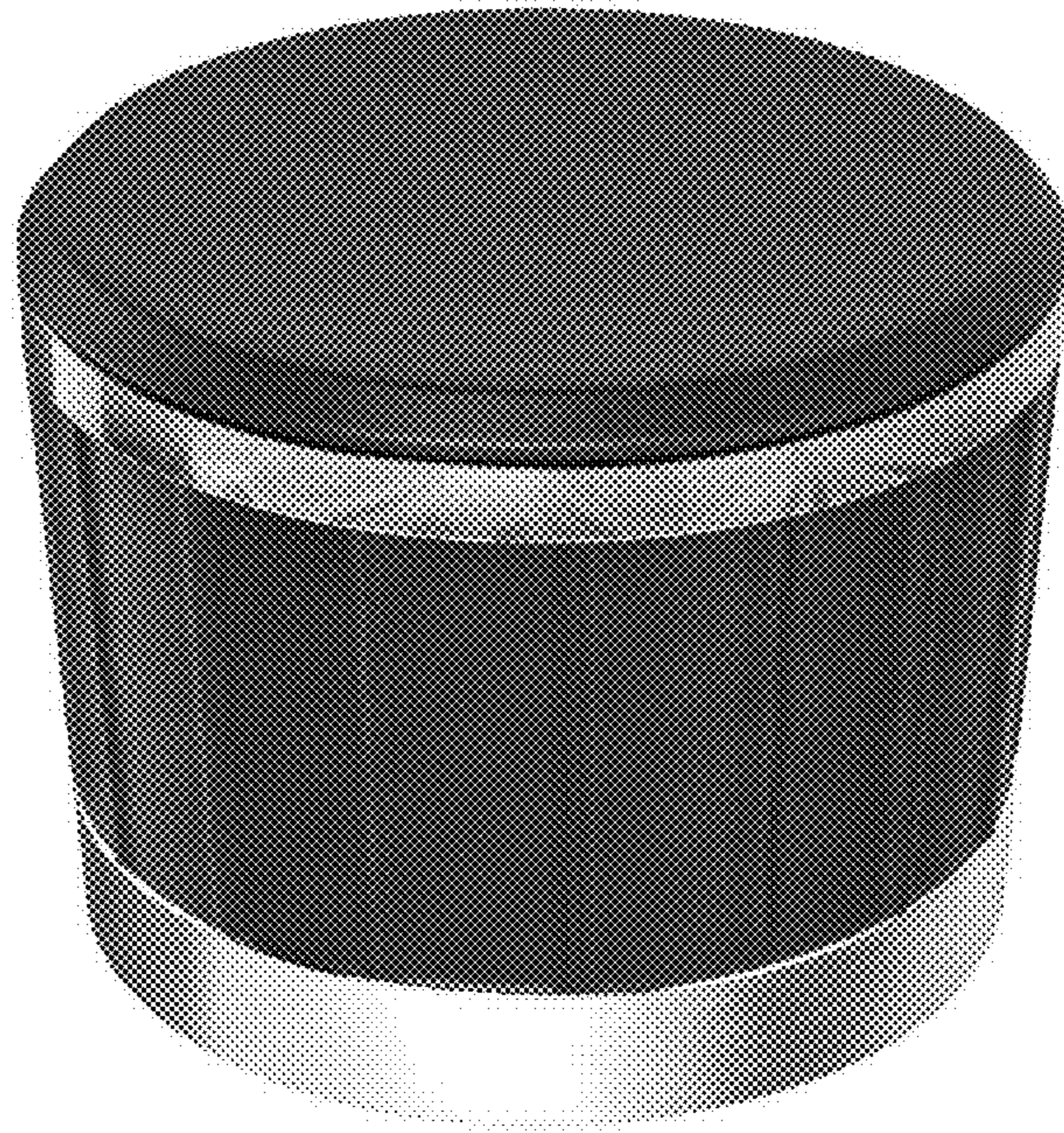


FIG. 5