

US00D914198S

(12) **United States Design Patent** (10) **Patent No.:** **US D914,198 S**
Li et al. (45) **Date of Patent:** **** Mar. 23, 2021**

(54) **HANDHELD SMART ORAL IRRIGATOR**

(71) Applicants: **Jinfeng Li**, Hubei (CN); **Gang Wang**, Hunan (CN); **Qing Zhang**, Anhui (CN); **Xinquan Liu**, Sichuan (CN); **Xiaowen Liu**, Hunan (CN)

(72) Inventors: **Jinfeng Li**, Hubei (CN); **Gang Wang**, Hunan (CN); **Qing Zhang**, Anhui (CN); **Xinquan Liu**, Sichuan (CN); **Xiaowen Liu**, Hunan (CN)

(73) Assignee: **FLYCAT ELECTRICAL CO., LTD.**, Guangdong (CN)

(**) Term: **15 Years**

(21) Appl. No.: **29/665,927**

(22) Filed: **Oct. 8, 2018**

(51) **LOC (13) Cl.** **24-02**

(52) **U.S. Cl.**
USPC **D24/111**

(58) **Field of Classification Search**
USPC D24/107–108, 111, 169, 185–186;
D4/102–102, 109–111, 138
CPC A61M 5/142; A61M 2205/502; A61M
5/1452; A61M 2205/505
See application file for complete search history.

(56) **References Cited**

U.S. PATENT DOCUMENTS

4,471,890 A * 9/1984 Dougherty B65D 47/18
222/190
D468,422 S * 1/2003 McCurrach D24/111
D486,573 S * 2/2004 Callaghan D24/111
D492,996 S * 7/2004 Rehkemper D24/111
D548,334 S * 8/2007 Izumi D24/111
D569,623 S * 5/2008 Beedham D4/101
D625,406 S * 10/2010 Seki D24/111
D669,978 S * 10/2012 Gebski D24/111
D694,398 S * 11/2013 Taylor D24/108
D702,830 S * 4/2014 Hannah D24/108

D739,930 S * 9/2015 Takenouchi 604/118
D747,464 S * 1/2016 Taylor A61C 17/0202
D24/111
D758,736 S * 6/2016 Shigeno D4/101
D778,433 S * 2/2017 Li D24/111
D780,908 S * 3/2017 Ladwig D24/111
D782,657 S * 3/2017 Williams D24/111
D795,419 S * 8/2017 Kohler D24/111
D832,422 S * 10/2018 Kohler D24/111
D861,351 S * 10/2019 Albay D4/101

(Continued)

FOREIGN PATENT DOCUMENTS

CN 304371065 * 11/2017

OTHER PUBLICATIONS

Waterpik Cordless Plus Water Flosser White WP450—Best Buy reviews 2018, <https://www.bestbuy.com/site/waterpik-cordless-plus-water-flosser-white/9984479.p?skul...> site visited May 24, 2020 (Year: 2018).*

Primary Examiner — John R Yeh
(74) *Attorney, Agent, or Firm* — Justin Lampel

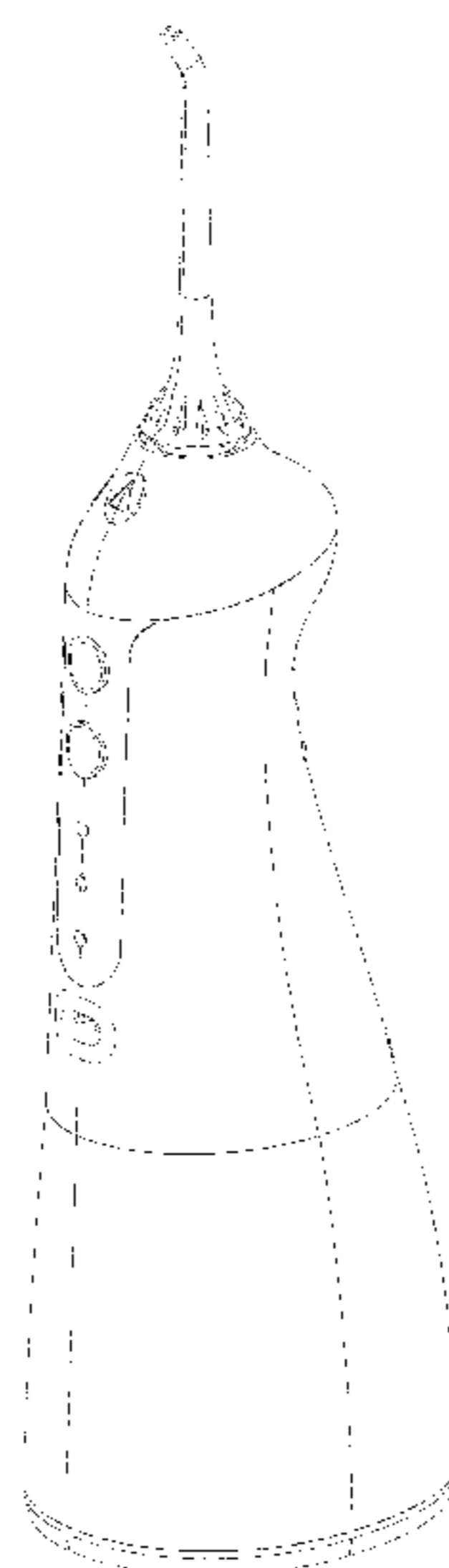
(57) **CLAIM**

The ornamental design for a handheld smart oral irrigator, as shown and described.

DESCRIPTION

FIG. 1 is a perspective view for a handheld smart oral irrigator showing our new design; FIG. 2 is a front side view thereof; FIG. 3 is a rear side view thereof; FIG. 4 is a right side view thereof; FIG. 5 is a left side view thereof; FIG. 6 is a bottom plan view thereof; and, FIG. 7 is a top plan view thereof. The broken lines depict features of the handheld smart oral irrigator that form no part of the claimed design.

1 Claim, 7 Drawing Sheets



(56)

References Cited

U.S. PATENT DOCUMENTS

D865,160 S * 10/2019 Yan D24/111
D881,383 S * 4/2020 Chen D24/111
D881,582 S * 4/2020 Smigel D4/101
D888,935 S * 6/2020 Fang D24/111
D888,936 S * 6/2020 Bondurant D24/111
D895,791 S * 9/2020 Yuan D24/111
D903,099 S * 11/2020 Huang D24/111
D904,600 S * 12/2020 Yan D24/111
D904,601 S * 12/2020 Xu D24/111
2008/0008979 A1* 1/2008 Thomas A61C 17/0205
433/80
2016/0151133 A1* 6/2016 Luetngen F04B 19/22
433/80

* cited by examiner

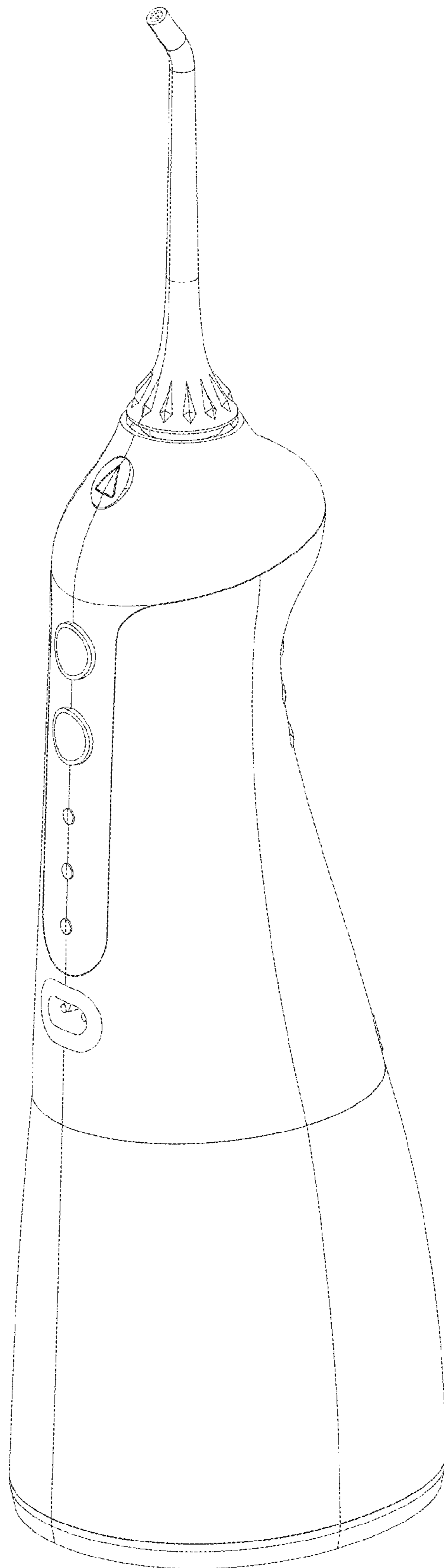


FIG.1

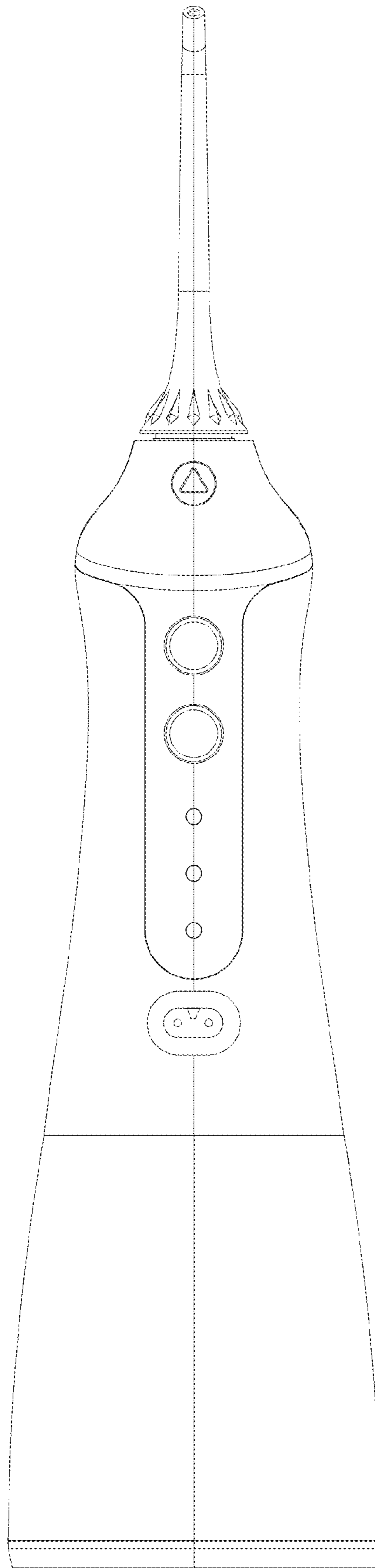


FIG 2

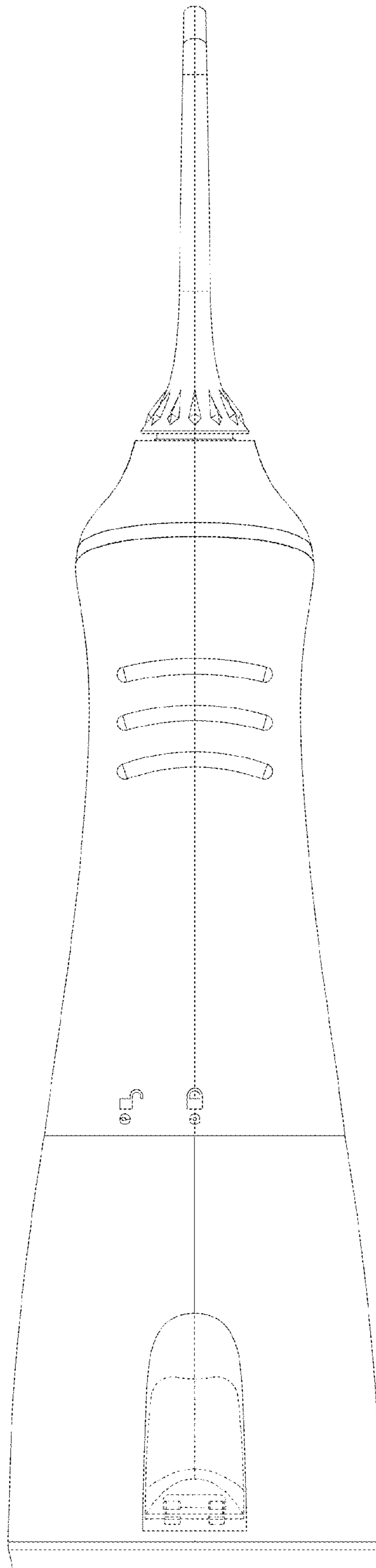


FIG. 3

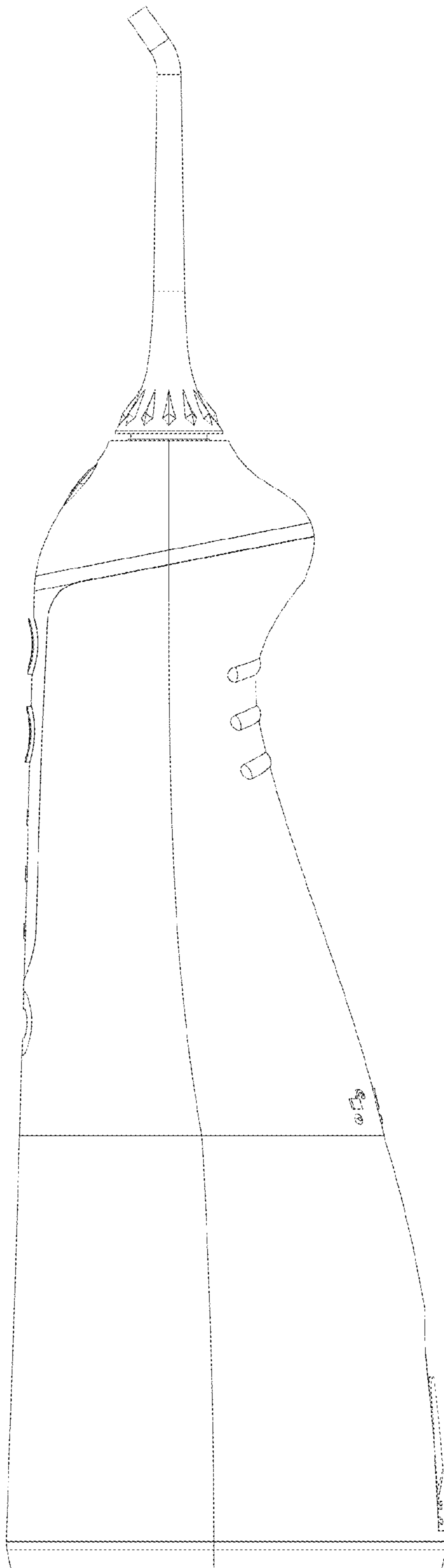


FIG. 4

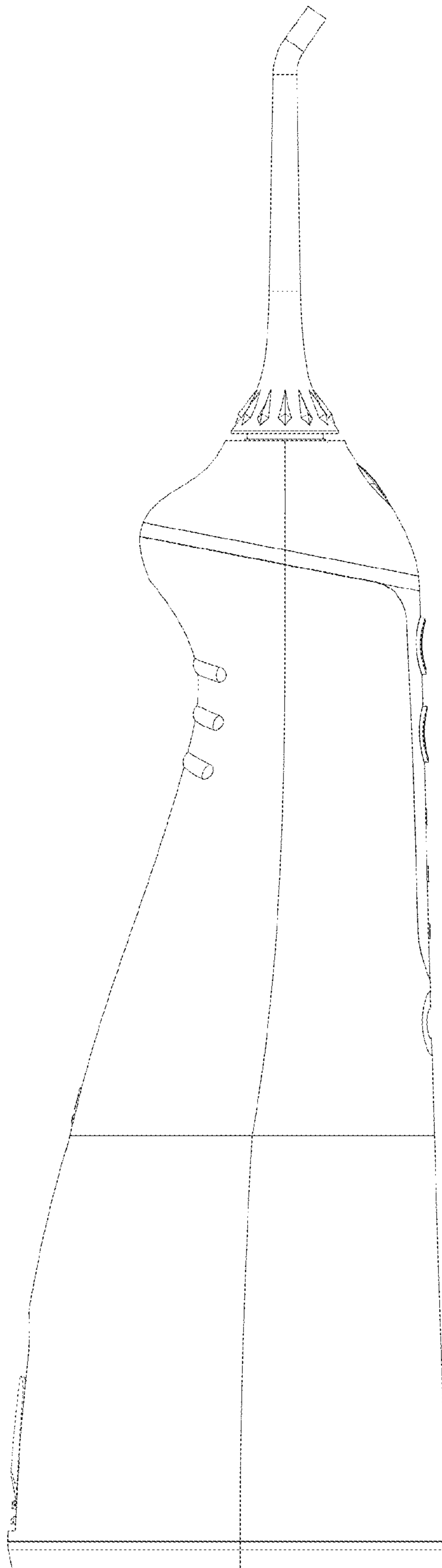


FIG. 5

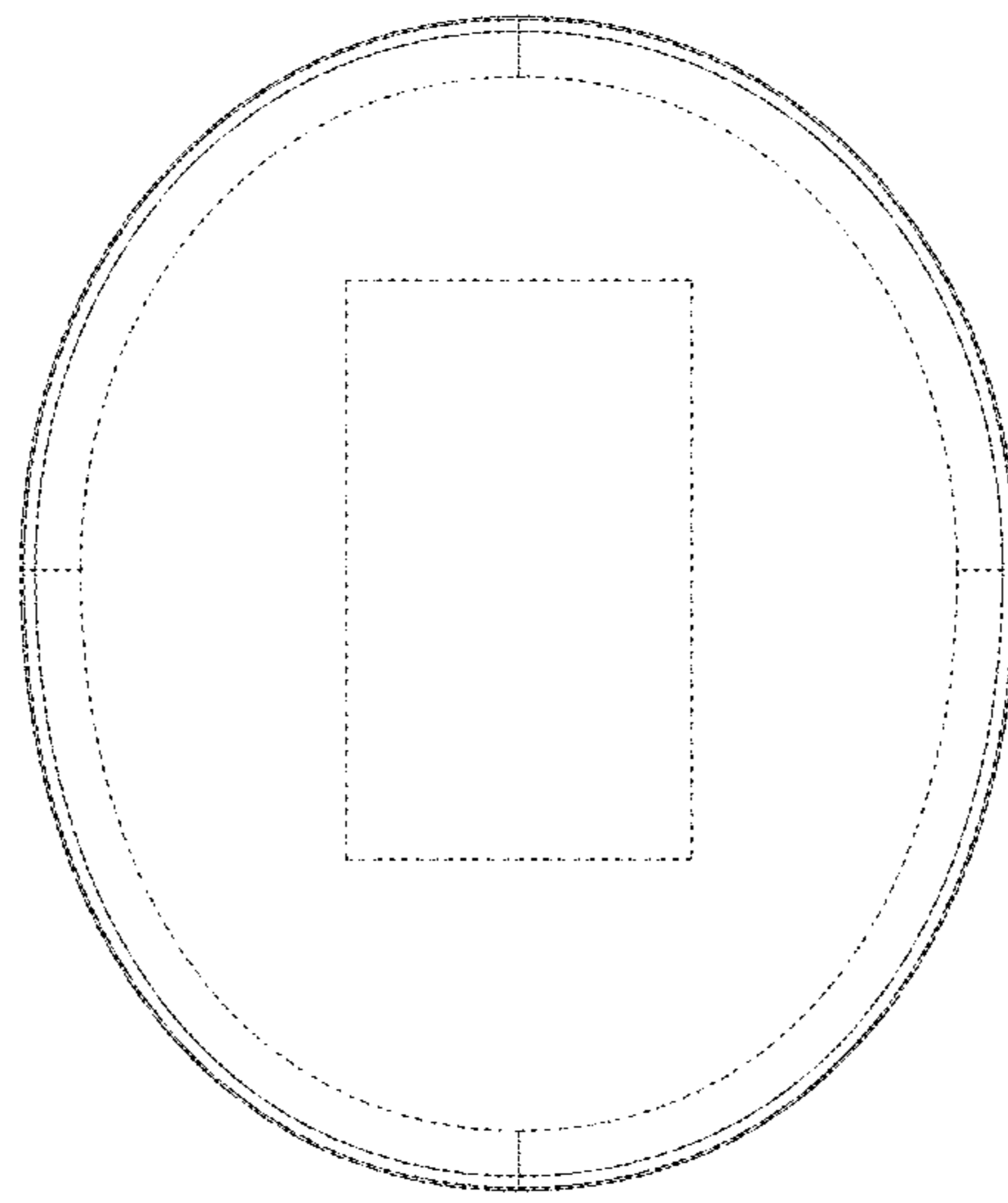


FIG. 6

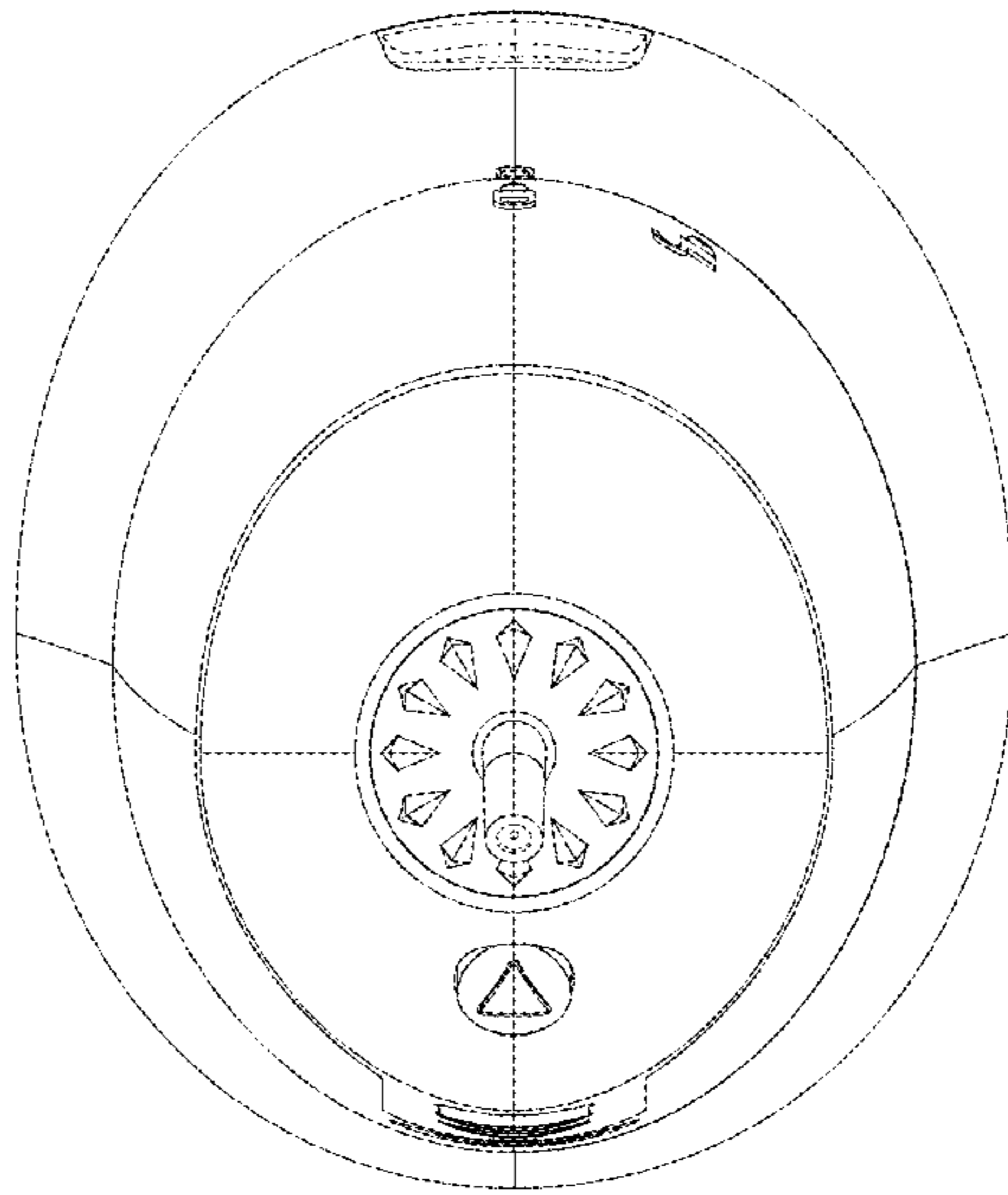


FIG.7