



US00D914196S

(12) **United States Design Patent** (10) **Patent No.:** **US D914,196 S**
Gray et al. (45) **Date of Patent:** **** *Mar. 23, 2021**

(54) **PERISTALTIC PUMP**

FOREIGN PATENT DOCUMENTS

(71) Applicants: **DEKA Products Limited Partnership**,
Manchester, NH (US); **CAREFUSION**
303, INC., San Diego, CA (US)

JP D1578811 11/2018

(72) Inventors: **Larry B. Gray**, Merrimack, NH (US);
Thomas A. Friedrich, Loudon, NH
(US); **Craig A. Dodge**, Tyngsborough,
MA (US); **Christopher J. Murray**,
Philadelphia, PA (US); **Edward G.**
Mitchell, Philadelphia, PA (US);
Gregory T. Hulan, Poway, CA (US);
Philip T. Pupa, San Diego, CA (US)

OTHER PUBLICATIONS

User Manual Alaris System With Guardrails Suite MX (with Alaris
PC Unit, Model 8015 Software Version 9.33). (2017). San Diego,
California: Carefusion.

(Continued)

(73) Assignees: **DEKA Products Limited Partnership**,
Manchester, NH (US); **Carefusion 303,**
Inc., San Diego, CA (US)

Primary Examiner — Mitchell I. Siegel

(74) *Attorney, Agent, or Firm* — Toohey Law Group LLC

(*) Notice: This patent is subject to a terminal dis-
claimer.

(57) **CLAIM**

(**) Term: **15 Years**

The ornamental design for a peristaltic pump, as shown and
described.

(21) Appl. No.: **29/651,464**

(22) Filed: **Aug. 16, 2018**

(51) **LOC (13) Cl.** **29-02**

(52) **U.S. Cl.**
USPC **D24/111**

(58) **Field of Classification Search**
USPC D15/7-9; D24/107, 108, 111
CPC A61M 5/20; A61M 5/30; A61M 5/142;
A61M 5/14228; A61M 5/14248; A61M
5/172; A61M 5/14566; A61M 5/14244;
A61M 2005/14208; A61M 2005/502;
A61M 1/1039; A61M 1/00; A61M 5/145;
F04B 43/09; F04B 43/10

See application file for complete search history.

DESCRIPTION

FIG. 1 is a front, top, and left-side perspective view of an
embodiment of a peristaltic pump, showing our new design;
FIG. 2 is a front, top, and left-side perspective view thereof,
with a hinged piece retracted;
FIG. 3 is a front, bottom, and left-side perspective view
thereof;
FIG. 4 is a left-side elevational view thereof;
FIG. 5 is a right-side elevational view thereof;
FIG. 6 is a bottom plan thereof;
FIG. 7 is a top plan view thereof;
FIG. 8 is a front elevational view thereof; and,
FIG. 9 is a back elevational view thereof.

The ornamental design which is claimed is shown in solid
lines in the drawings. Any broken lines in the drawings are
for illustrative purposes only and form no part of the claimed
design.

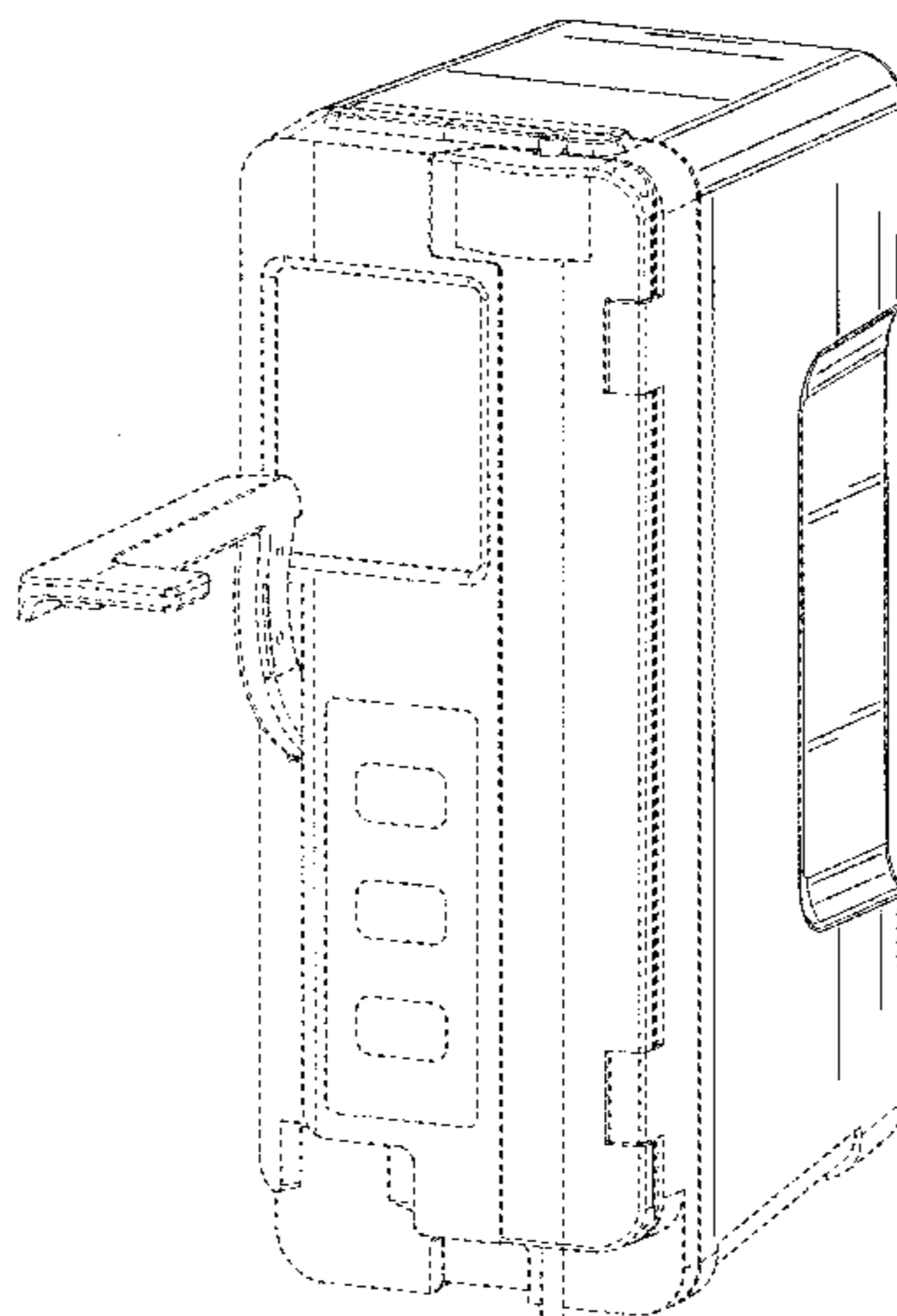
(56) **References Cited**

U.S. PATENT DOCUMENTS

3,267,364 A 8/1966 Page et al.
3,393,673 A 7/1968 Mattingly
D241,883 S 10/1976 King

(Continued)

1 Claim, 8 Drawing Sheets



(56)

References Cited

U.S. PATENT DOCUMENTS

4,025,241 A * 5/1977 Clemens F04B 43/1284
417/477.11
D246,258 S 11/1977 Ekert
4,187,057 A * 2/1980 Xanthopoulos ... A61M 5/14232
417/477.11
4,189,286 A * 2/1980 Murry A61B 17/22
417/477.11
4,191,184 A * 3/1980 Carlisle A61M 5/16809
604/153
4,201,525 A * 5/1980 Brown F04B 43/1253
417/477.5
4,231,725 A * 11/1980 Hogan F04B 43/1284
417/477.11
4,479,797 A * 10/1984 Kobayashi A61M 5/14228
417/474
4,496,295 A * 1/1985 King F04B 43/1253
417/477.12
4,515,535 A * 5/1985 D'Silva F04B 43/1253
403/DIG. 1
4,537,561 A * 8/1985 Xanthopoulos A61M 5/142
128/DIG. 12
4,552,516 A * 11/1985 Stanley F04B 43/1253
24/517
4,599,055 A * 7/1986 Dykstra F04B 43/1284
417/477.11
D285,347 S * 8/1986 Nelson D24/111
4,668,227 A 5/1987 Kay
4,720,249 A * 1/1988 Krebs F04B 43/1253
417/477.8
4,728,265 A * 3/1988 Cannon A61M 5/14228
16/225
4,950,245 A * 8/1990 Brown A61M 5/14228
604/153
5,001,641 A 4/1991 Groton
5,011,378 A 4/1991 Brown et al.
5,057,081 A * 10/1991 Sunderland A61M 5/142
604/153
5,096,669 A * 3/1992 Lauks B01L 3/502707
204/403.02
D348,730 S * 7/1994 Walker D24/108
5,567,136 A 10/1996 Johnson
D380,546 S * 7/1997 Clegg D24/111
D587,365 S * 2/2009 Boaz D10/49
D587,802 S * 3/2009 Boaz D10/49
D674,083 S * 1/2013 Boaz D24/111
D679,379 S 4/2013 Katsura
D693,712 S * 11/2013 Noda D10/81
D714,459 S * 9/2014 Develon D24/216
D730,514 S * 5/2015 Boaz D24/111
9,151,646 B2 10/2015 Kamen et al.
9,364,394 B2 6/2016 Demers et al.
9,400,873 B2 7/2016 Kamen et al.
D767,756 S 9/2016 Sabin
9,435,455 B2 9/2016 Peret et al.
9,636,455 B2 5/2017 Kamen et al.

9,675,756 B2 6/2017 Kamen et al.
9,677,555 B2 6/2017 Kamen et al.
D801,519 S * 10/2017 Sabin D24/108
9,789,247 B2 10/2017 Kamen et al.
RE46,598 E 11/2017 Gill
D804,017 S * 11/2017 Sabin D24/111
9,808,572 B2 11/2017 Kamen et al.
10,044,791 B2 8/2018 Kamen et al.
10,082,241 B2 9/2018 Janway et al.
10,242,159 B2 3/2019 Kamen et al.
10,265,463 B2 4/2019 Biasi et al.
D847,974 S 5/2019 McNall, III et al.
10,380,321 B2 8/2019 Kamen et al.
10,391,241 B2 8/2019 Desch et al.
10,453,157 B2 10/2019 Kamen et al.
D879,948 S * 3/2020 Bunoz D24/111
D882,761 S 4/2020 Cabiri et al.
D884,165 S 5/2020 Haug et al.
2005/0069419 A1 * 3/2005 Cull F04B 43/1276
417/53
2005/0069437 A1 * 3/2005 Mittelstein F04B 43/1253
417/477.2
2009/0087326 A1 * 4/2009 Voltenburg, Jr. ... F04B 43/1284
417/477.2
2009/0205662 A1 8/2009 Kwok et al.
2009/0294339 A1 12/2009 Biewer et al.
2011/0152831 A1 * 6/2011 Rotem F04B 49/02
604/506
2011/0184383 A1 7/2011 Hasegawa
2012/0027622 A1 * 2/2012 Ashburn A61M 39/08
417/53
2012/0203195 A1 8/2012 Pope et al.
2013/0115120 A1 * 5/2013 Jarnagin F04B 43/12
417/477.2
2013/0317837 A1 11/2013 Ballantyne et al.
2014/0180711 A1 6/2014 Kamen et al.
2015/0202362 A1 7/2015 Wolff et al.
2017/0216516 A1 8/2017 Dale et al.
2018/0318498 A1 11/2018 Grant et al.
2018/0318527 A1 11/2018 Watanabe et al.
2019/0261689 A1 8/2019 Bowen et al.

OTHER PUBLICATIONS

Technical Service Manual Alaris PC Unit, Models 8000 and 8015 Alaris Pump Module, Model 8100. (2007). San Diego, California; Cardinal Health.
Technical Service Manual Alaris Syringe Module, 8110 Series Alaris PCA Module, 8120 Series. (2010). San Diego, California: Carefusion.
Graseby 2100 Syringe Infusion Pump, All India website 2020, <https://www.indiamart.com/graseby-2100-syringe-infusion-pump-19908015512...> Visited Jun. 12, 2020.
Alaris CareFusion Medley 8100 Syringe Pump, Avobus website 2020. <https://avobus.com/kw/shop/product/alaris-carefusion-medley-8110-syringe-pump-module...> Visited Jun. 12, 2020.

* cited by examiner

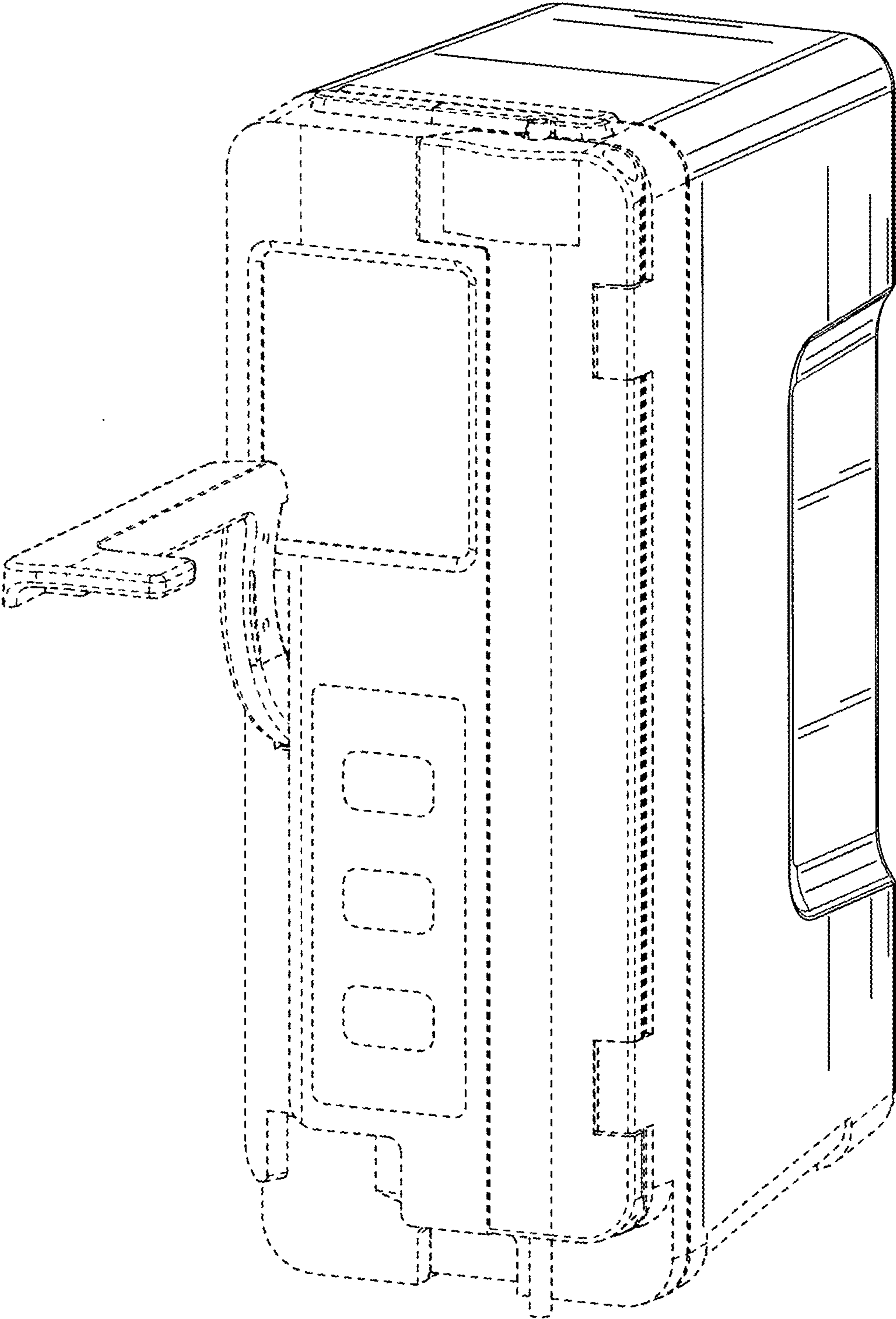


FIG. 1

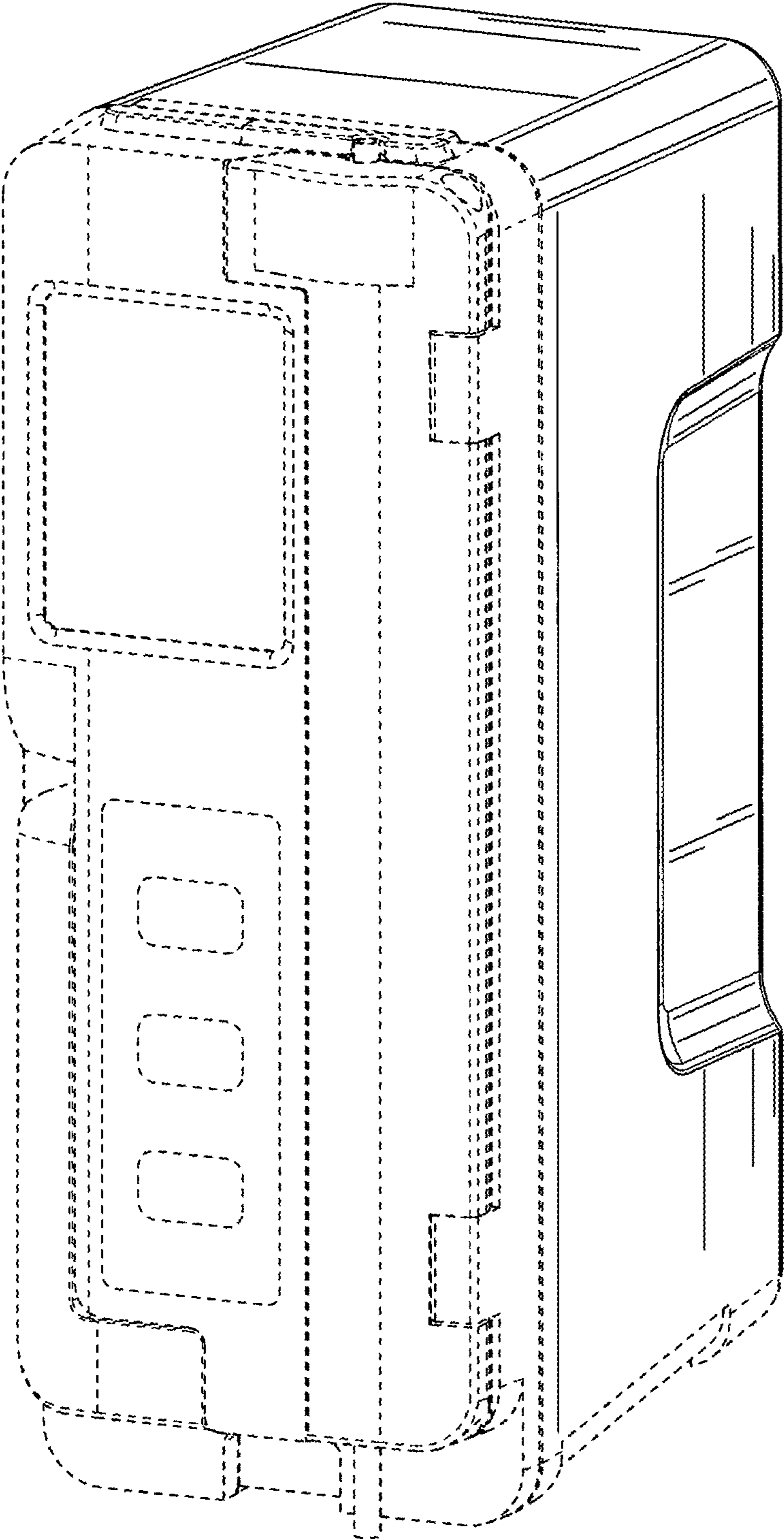


FIG. 2

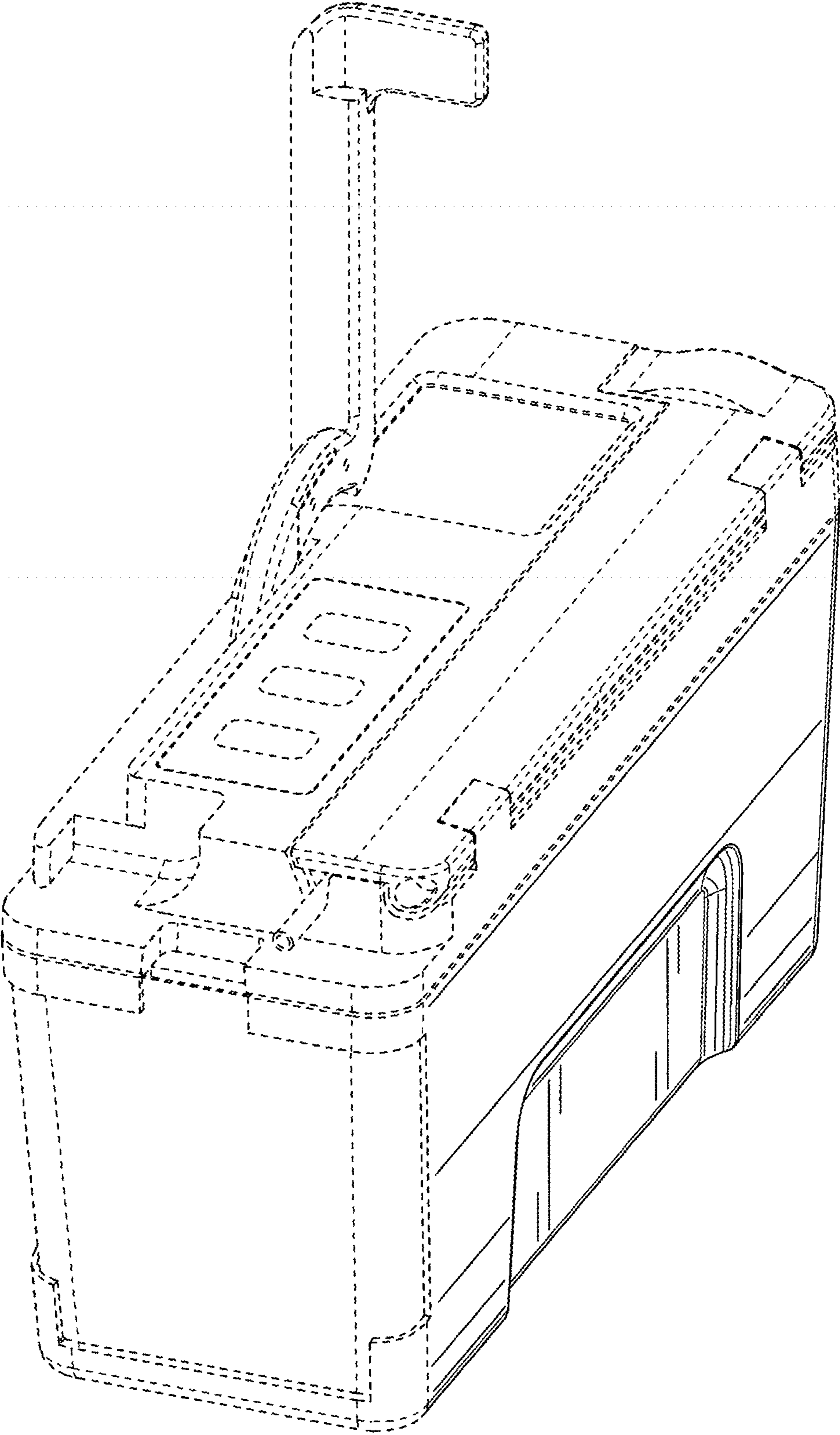


FIG. 3

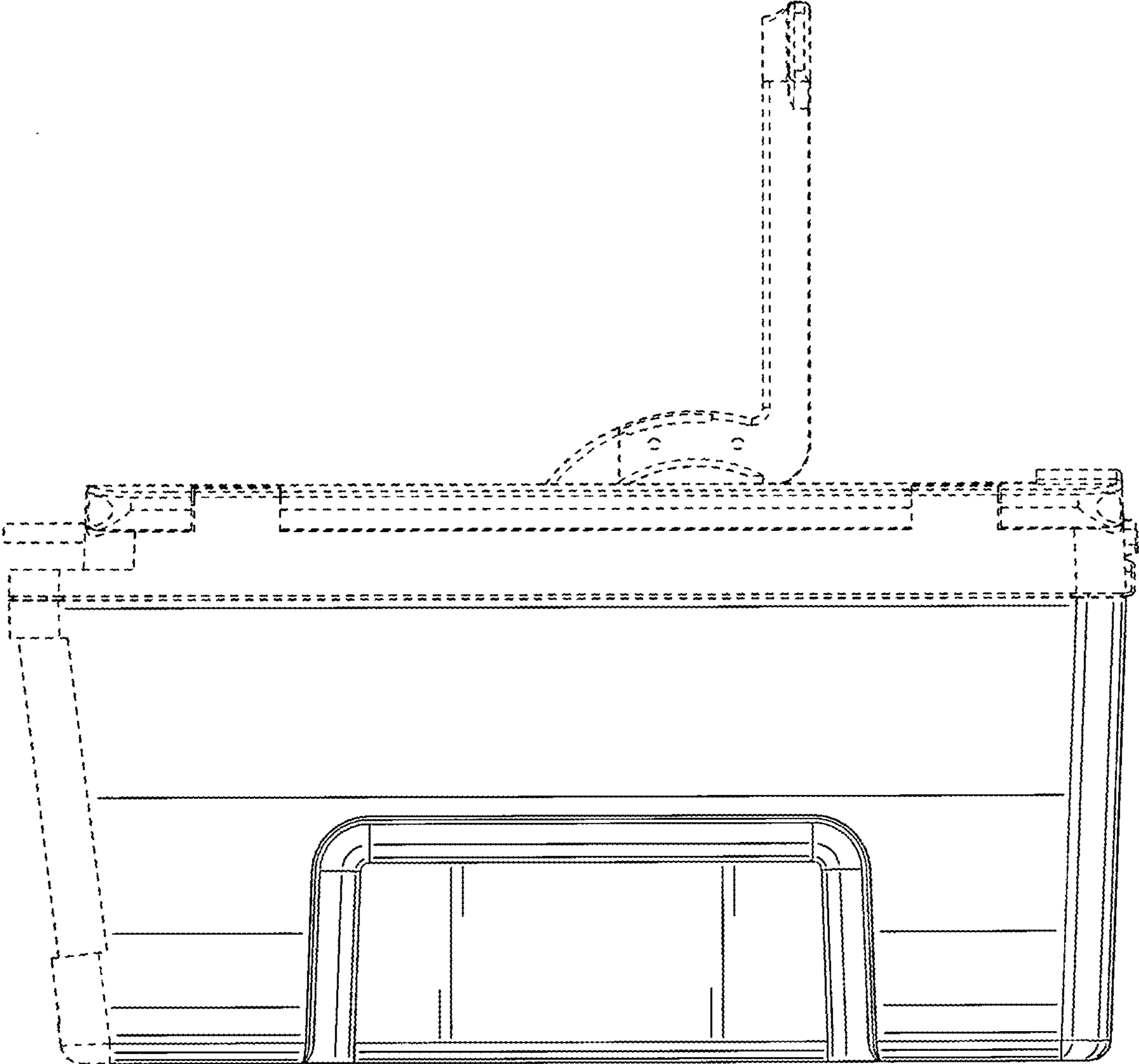


FIG. 4

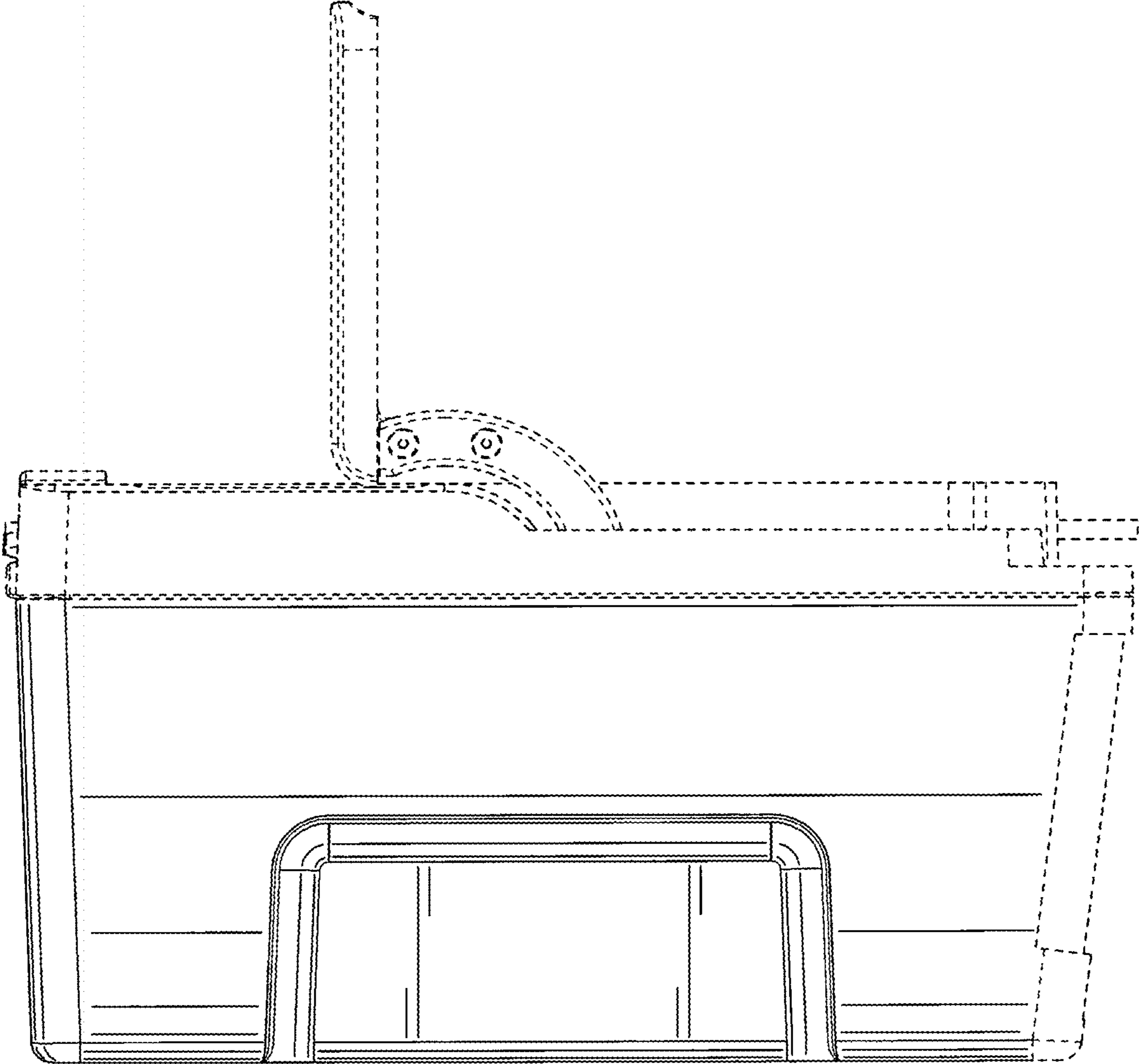


FIG. 5

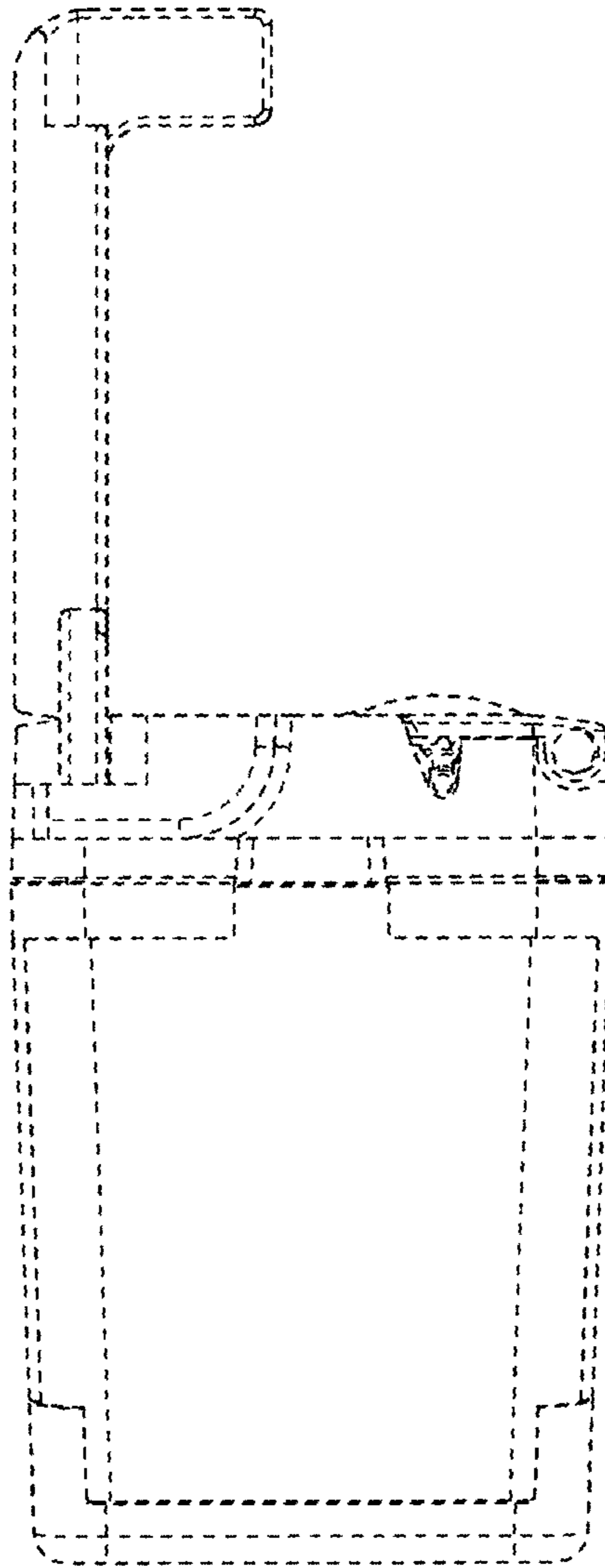


FIG. 6

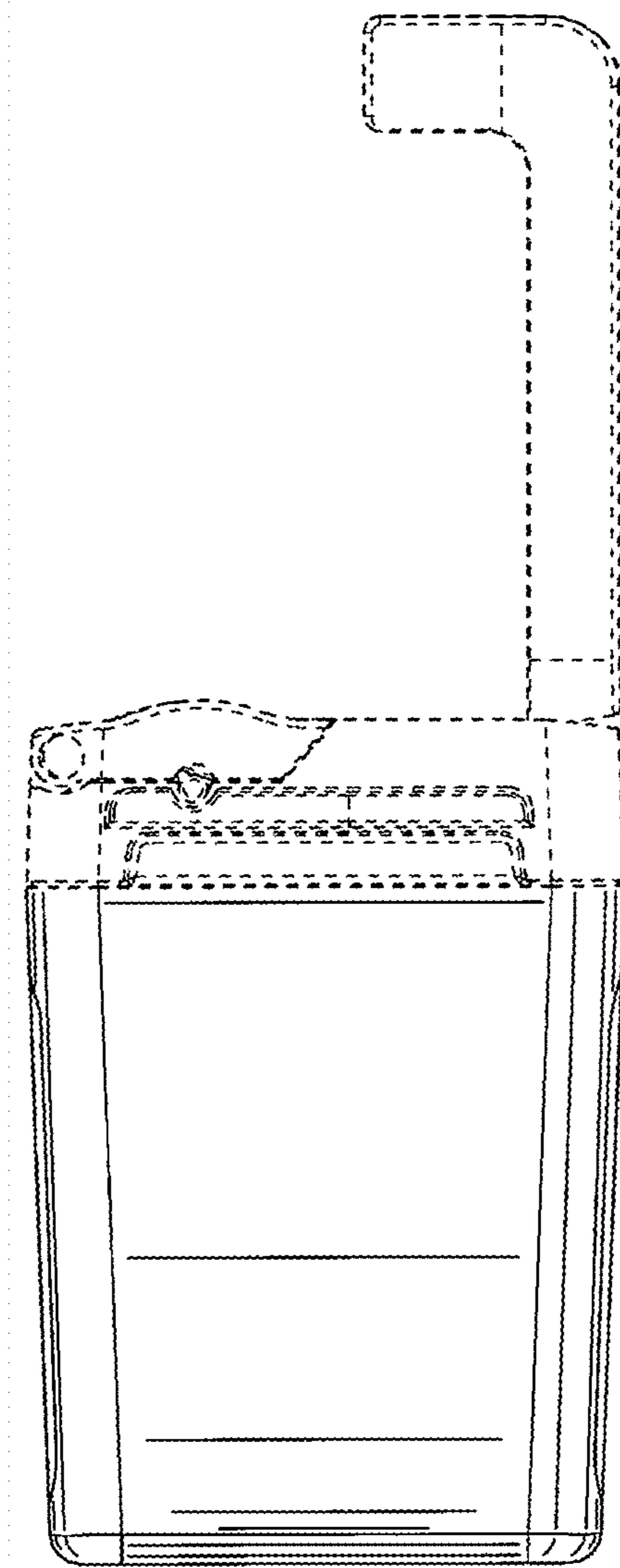


FIG. 7

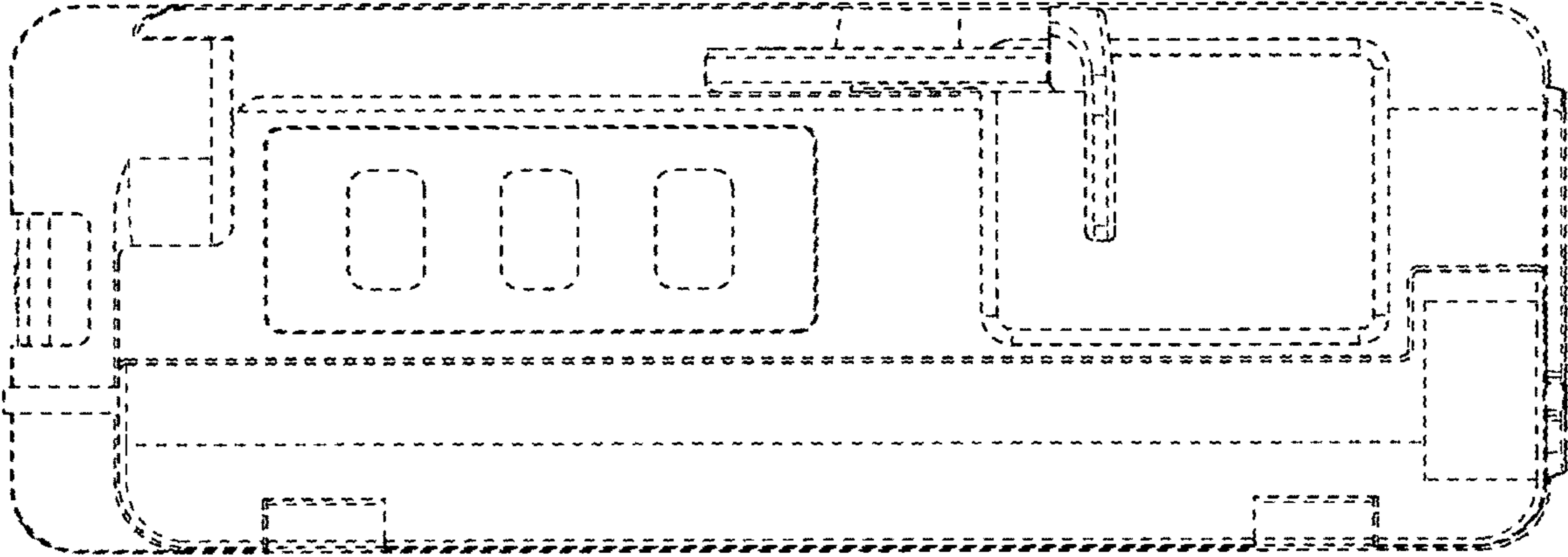


FIG. 8

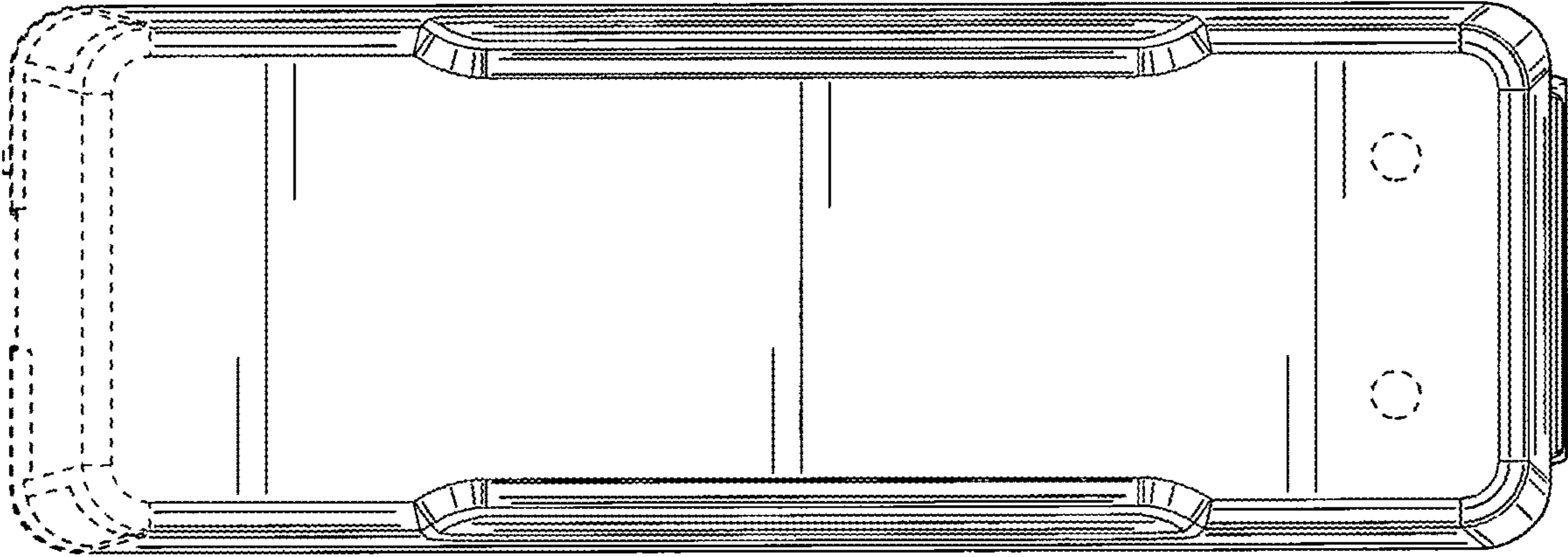


FIG. 9