



US00D914194S

(12) **United States Design Patent** (10) **Patent No.:** **US D914,194 S**
Fiorenza (45) **Date of Patent:** **** Mar. 23, 2021**

(54) **RESPIRATORY ADAPTOR**
 (71) Applicant: **Smart RS Inc.**, Ottawa (CA)
 (72) Inventor: **Francesco Fiorenza**, Ottawa (CA)
 (73) Assignee: **SMART RS INC.**, Ottawa (CA)
 (**) Term: **15 Years**
 (21) Appl. No.: **29/657,379**
 (22) Filed: **Jul. 20, 2018**
 (51) **LOC (13) Cl.** **24-02**
 (52) **U.S. Cl.**
 USPC **D24/110.6; D24/129**
 (58) **Field of Classification Search**
 USPC D24/107, 108, 111, 127, 129, 110, 110.6,
 D24/164
 CPC A61M 16/085; A61M 16/0833; A61M
 16/0816; A61M 16/0858; A61M 16/0875
 See application file for complete search history.

(56) **References Cited**

U.S. PATENT DOCUMENTS

D257,286 S * 10/1980 Folkman D23/245
 D282,962 S * 3/1986 Gerber 285/239
 D300,271 S * 3/1989 Rudolph D24/110.6
 D300,272 S * 3/1989 Rudolph D24/110.6
 4,825,859 A * 5/1989 Lambert A61M 16/0463
 128/202.16
 D342,135 S * 12/1993 Goldberger D24/110
 D468,015 S * 12/2002 Horppu D24/129
 D634,813 S * 3/2011 Hernandez, IV D23/233

D727,492 S * 4/2015 Scampoli D24/110
 D802,124 S * 11/2017 Guala D24/129
 D852,355 S * 6/2019 Fiorenza D24/110.6
 D861,161 S * 9/2019 Schuessler D24/129
 D882,077 S * 4/2020 Schmitt D24/129
 2008/0135051 A1* 6/2008 Lee A61M 16/0463
 128/207.14
 2009/0139530 A1* 6/2009 Landis A61M 16/0833
 128/207.15
 2011/0197894 A1* 8/2011 Morejon A61M 16/0833
 128/207.14
 2014/0338669 A1* 11/2014 Zhao A61M 16/085
 128/204.18

* cited by examiner

Primary Examiner — Lilyana Bekic

(74) *Attorney, Agent, or Firm* — Ostrolenk Faber LLP

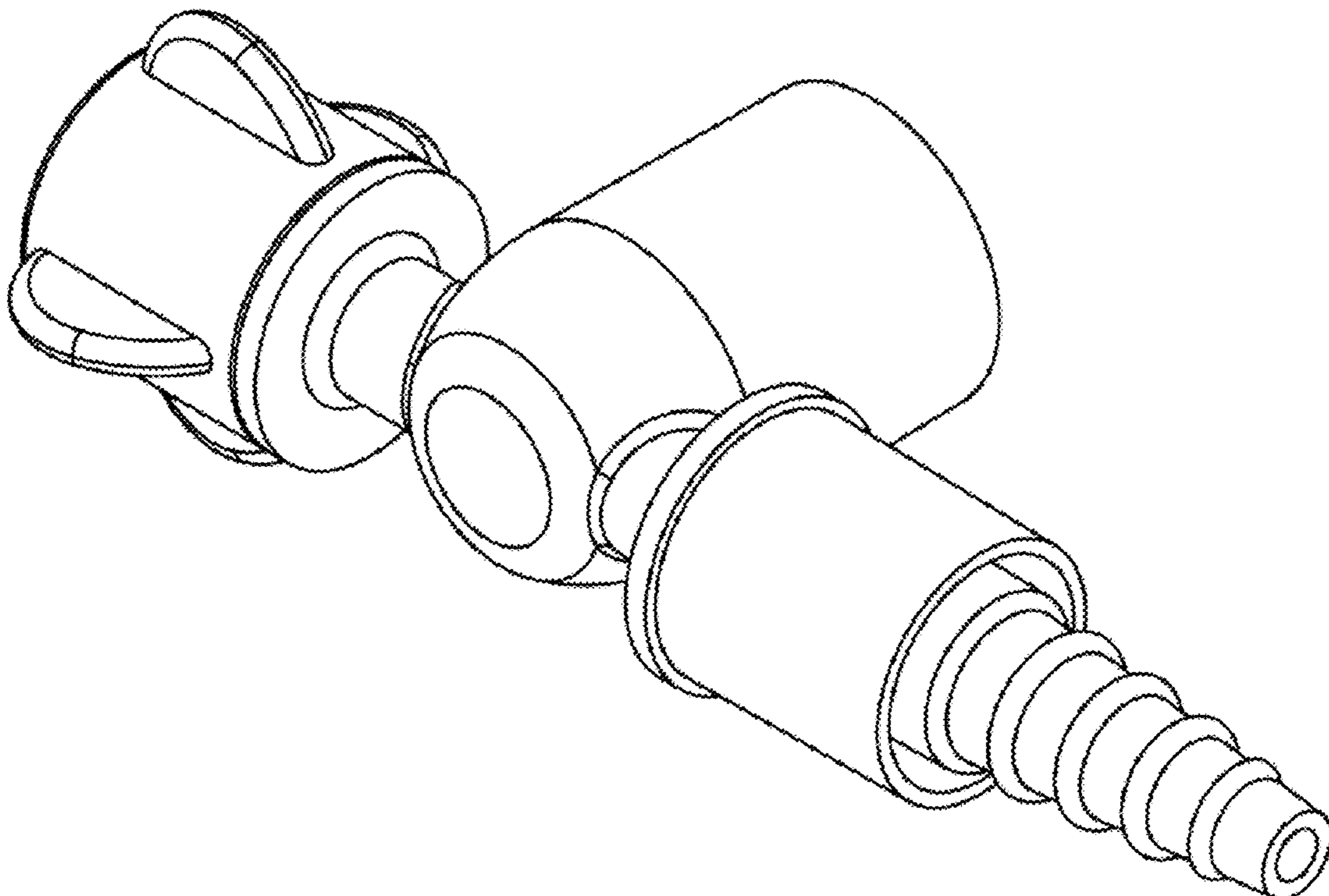
(57) **CLAIM**

The ornamental design for a respiratory adaptor, as shown and described.

DESCRIPTION

FIG. 1 is a perspective view of a respiratory adaptor, showing my new design;
 FIG. 2 is rear view of FIG. 1;
 FIG. 3 is a front view of FIG. 1;
 FIG. 4 is a first side view of FIG. 1, at a first angular rotation;
 FIG. 5 is a second side view of FIG. 1, rotated at 90° clockwise relative to the side view of FIG. 4; and,
 FIG. 6 is a third side view of FIG. 1, rotated at 90° counterclockwise relative to FIG. 4.
 The broken lines in FIG. 2 depict portions of the respiratory adaptor that form no part of the claimed design.

1 Claim, 6 Drawing Sheets



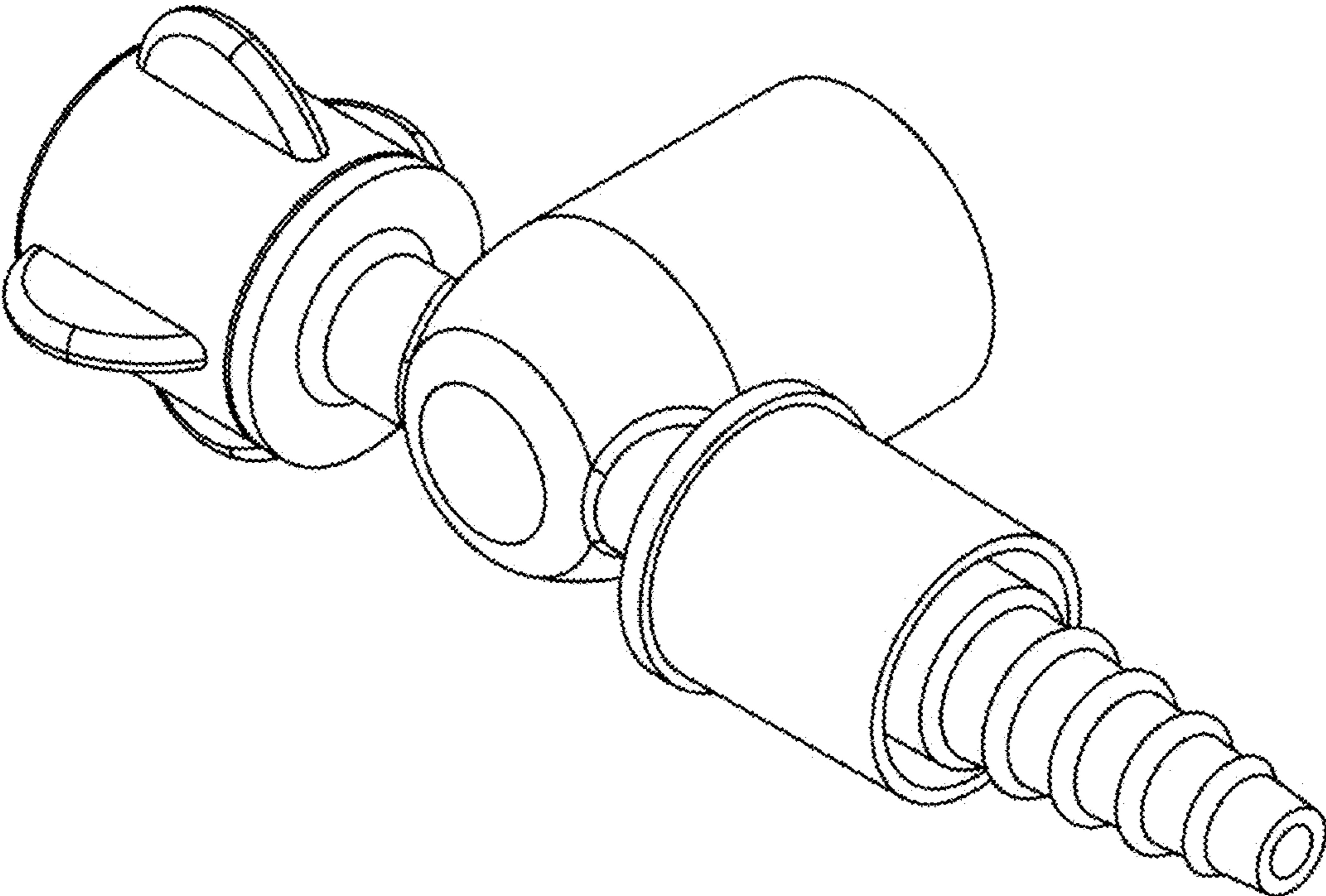


FIG. 1

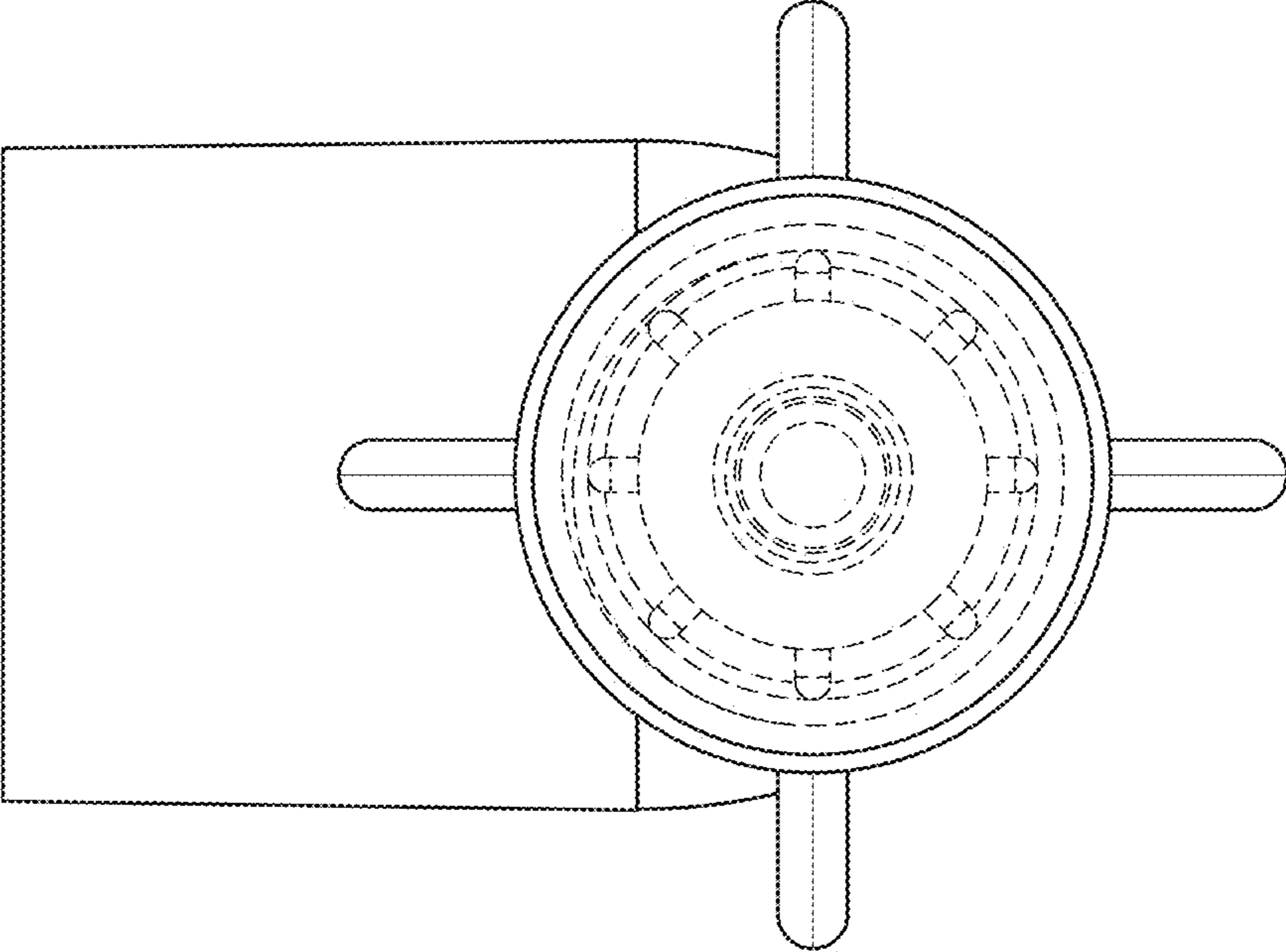


FIG. 2

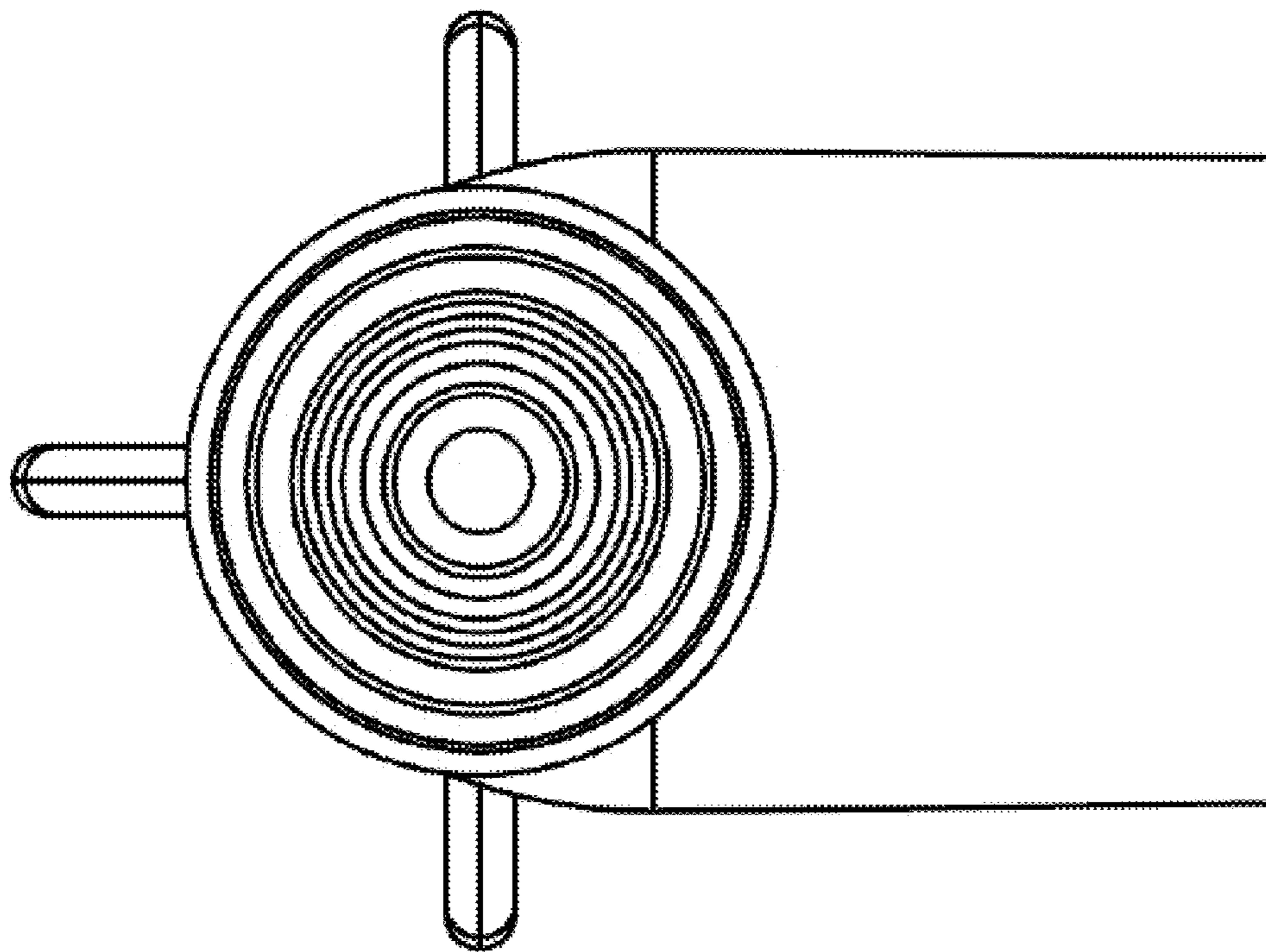


FIG. 3

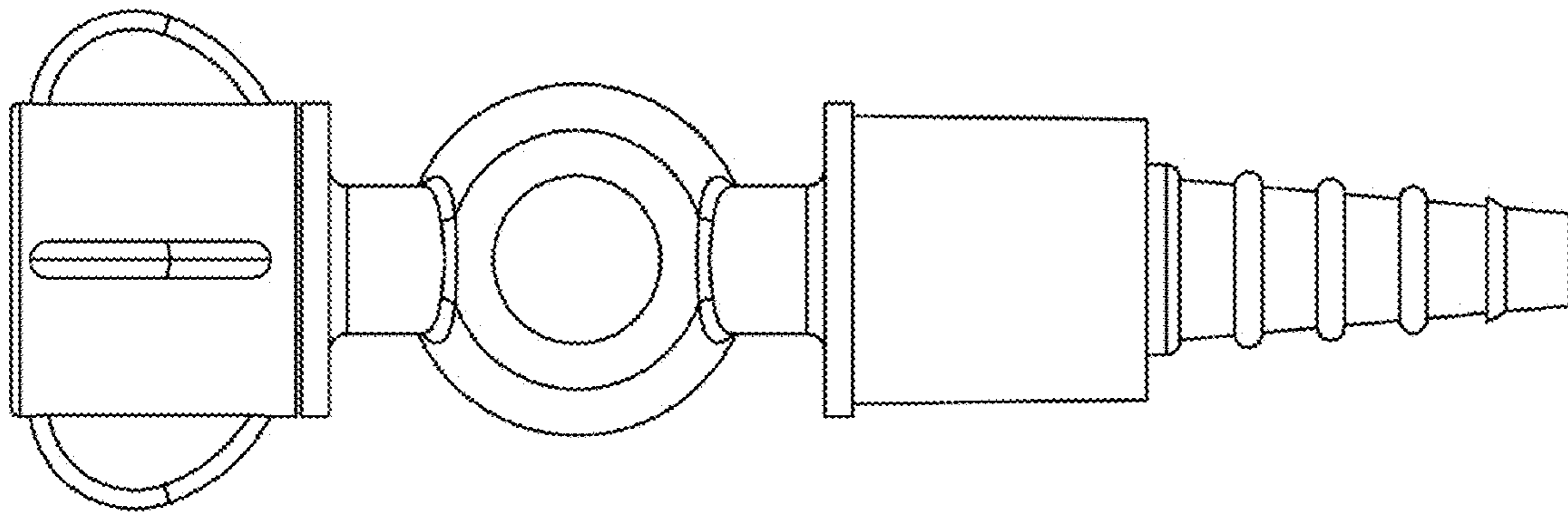


FIG. 4

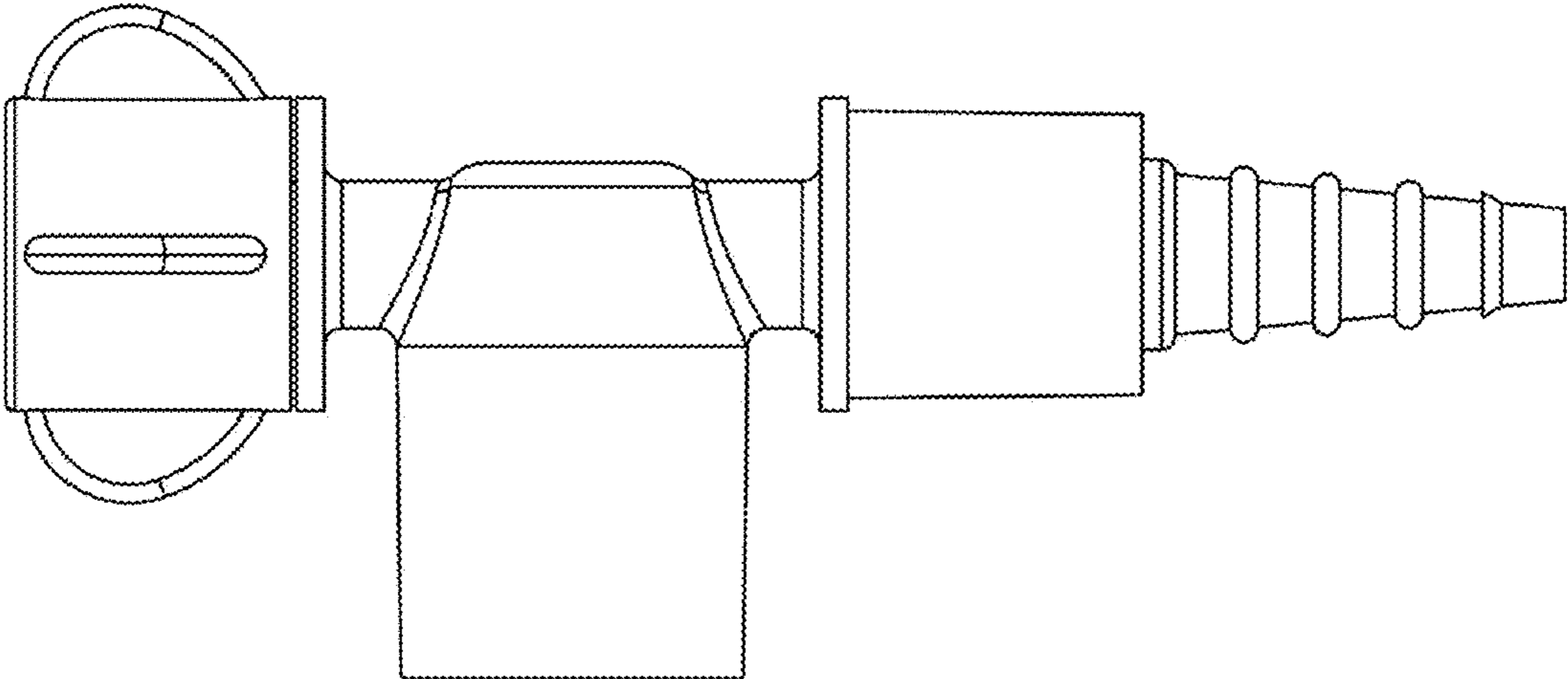


FIG. 5

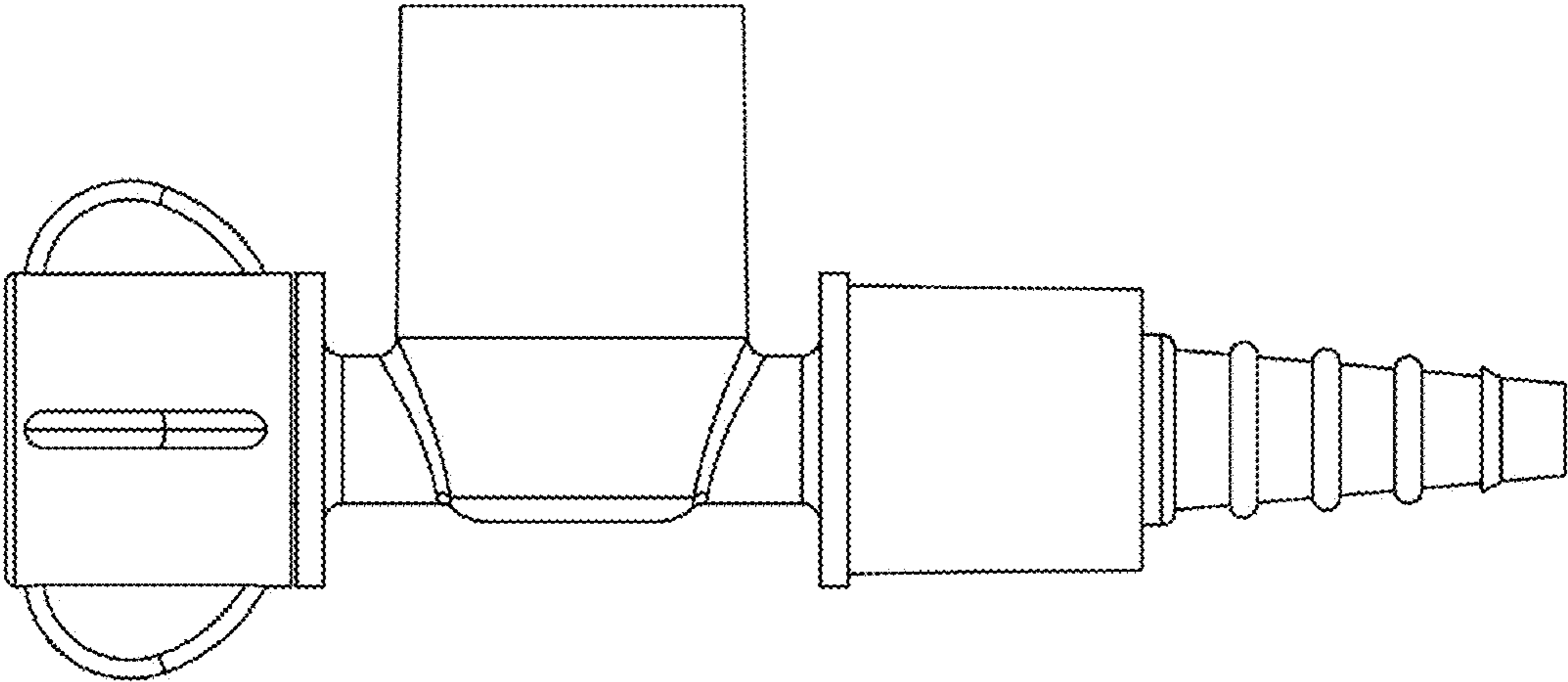


FIG. 6