



US00D914191S

(12) **United States Design Patent**
Gorali

(10) **Patent No.:** **US D914,191 S**
(45) **Date of Patent:** **** Mar. 23, 2021**

(54) **CEILING FAN PART**

(71) Applicant: **Yuval Shimon Gorali**, Tel Aviv (IL)

(72) Inventor: **Yuval Shimon Gorali**, Tel Aviv (IL)

(**) Term: **15 Years**

(21) Appl. No.: **29/623,642**

(22) Filed: **Oct. 26, 2017**

(51) **LOC (13) Cl.** **23-03**

(52) **U.S. Cl.**
USPC **D23/411**

(58) **Field of Classification Search**
USPC D23/370-385, 411-414; D26/59, 85, 86,
D26/89, 90, 88, 110

(Continued)

(56) **References Cited**

U.S. PATENT DOCUMENTS

D328,639 S * 8/1992 Hsieh D23/377
5,658,129 A * 8/1997 Pearce F04D 25/088
416/146 R

(Continued)

Primary Examiner — Cathron C Brooks

Assistant Examiner — Sharon S Oum

(74) *Attorney, Agent, or Firm* — Vorys, Sater, Seymour
and Pease LLP; William L. Klima

(57) **CLAIM**

The ornamental design for a ceiling fan part, as shown and described.

DESCRIPTION

FIG. 1 is a perspective view of a ceiling fan part of a first embodiment;

FIG. 2 is a side view thereof; since the ceiling fan part is round and symmetrical, all side views are identical;

FIG. 3 is a top view thereof;

FIG. 4 is a bottom view thereof;

FIG. 5 is a perspective exploded view thereof;

FIG. 6 is a side exploded view thereof;

FIG. 7 is a cross-sectional view of the ceiling fan part taken along line 7-7 of FIG. 3, in the first embodiment;

FIG. 8 is a perspective view of a ceiling fan part of a second embodiment;

FIG. 9 is a side view thereof; since the ceiling fan part is round and symmetrical, all side views are identical;

FIG. 10 is a top view thereof;

FIG. 11 is a bottom view thereof;

FIG. 12 is a perspective exploded view thereof;

FIG. 13 is a side exploded view thereof;

FIG. 14 is a cross-sectional view of the ceiling fan part taken along line 14-14 of FIG. 10, in the second embodiment;

FIG. 15 is a perspective view of a ceiling fan part of a third embodiment;

FIG. 16 is a side view thereof; since the ceiling fan part is round and symmetrical, all side views are identical;

FIG. 17 is a top view thereof;

FIG. 18 is a bottom view thereof;

FIG. 19 is a perspective exploded view thereof;

FIG. 20 is a side exploded view thereof;

FIG. 21 is a cross-sectional view of the ceiling fan part taken along line 21-21 of FIG. 17, in the third embodiment;

FIG. 22 is a perspective view of a ceiling fan part of a fourth embodiment;

FIG. 23 is a side view thereof; since the ceiling fan part is round and symmetrical, all side views are identical;

FIG. 24 is a top view thereof;

FIG. 25 is a bottom view thereof;

FIG. 26 is a perspective exploded view thereof;

FIG. 27 is a side exploded view thereof;

FIG. 28 is a cross-sectional view of the ceiling fan part taken along line 28-28 of FIG. 24, in the fourth embodiment;

FIG. 29 is a perspective view of a ceiling fan part of a fifth embodiment;

FIG. 30 is a side view thereof; since the ceiling fan part is round and symmetrical, all side views are identical;

FIG. 31 is a top view thereof;

FIG. 32 is a bottom view thereof;

FIG. 33 is a perspective exploded view thereof;

FIG. 34 is a side exploded view thereof;

FIG. 35 is a cross-sectional view of the ceiling fan part taken along line 35-35 of FIG. 31, in the fifth embodiment;

(Continued)

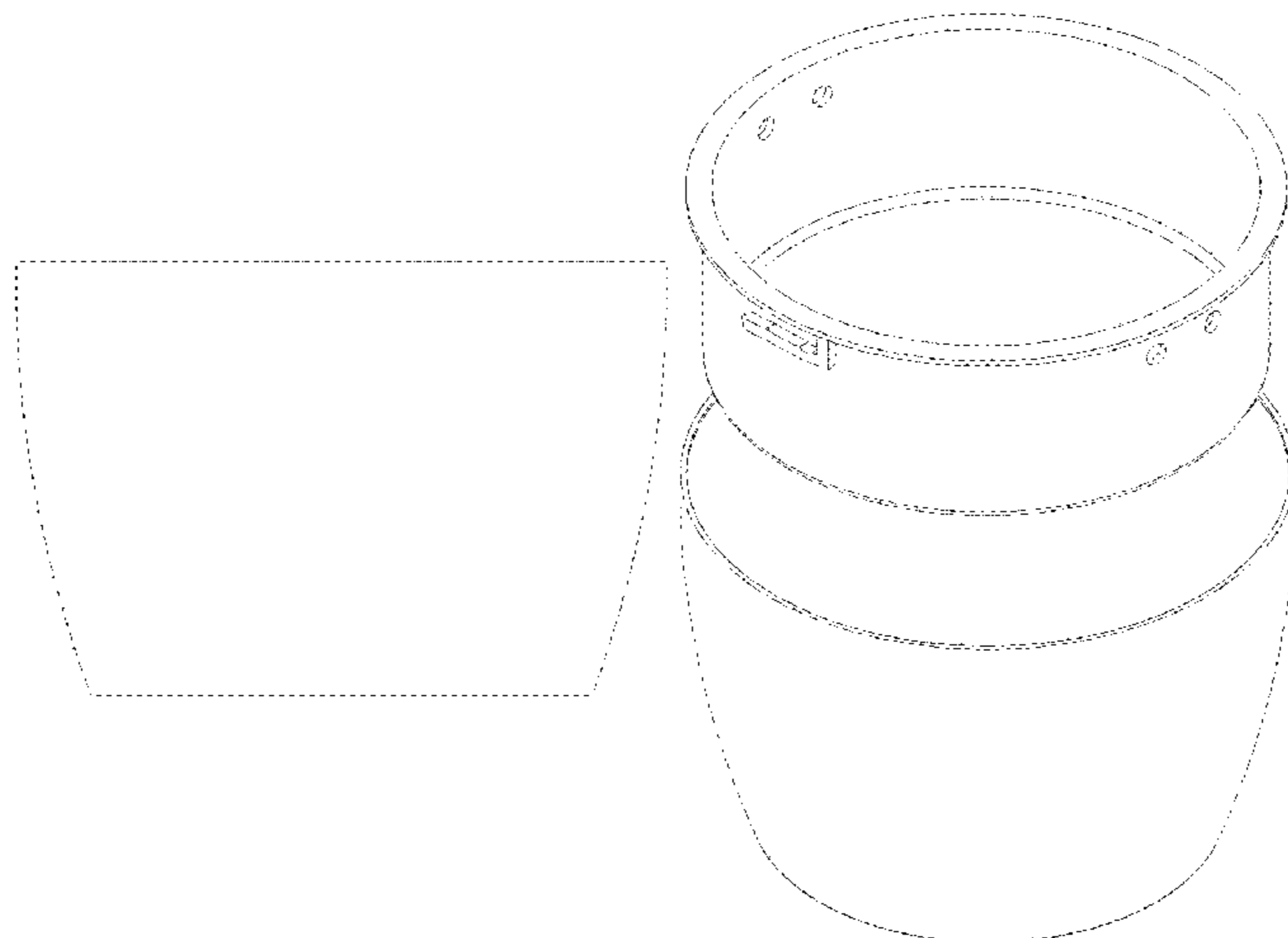


FIG. 36 is a perspective view of a ceiling fan part of a sixth embodiment;
 FIG. 37 is a side view thereof; since the ceiling fan part is round and symmetrical, all side views are identical;
 FIG. 38 is a top view thereof;
 FIG. 39 is a bottom view thereof;
 FIG. 40 is a perspective exploded view thereof;
 FIG. 41 is a side exploded view thereof;
 FIG. 42 is a cross-sectional view of the ceiling fan part taken along line 42-42 of FIG. 38, in the sixth embodiment;
 FIG. 43 is a perspective view of a ceiling fan part of a seventh embodiment;
 FIG. 44 is a side view thereof; since the ceiling fan part is round and symmetrical, all side views are identical;
 FIG. 45 is a top view thereof;
 FIG. 46 is a bottom view thereof;
 FIG. 47 is a perspective exploded view thereof;
 FIG. 48 is a side exploded view thereof; and,
 FIG. 49 is a cross-sectional view of the ceiling fan part taken along line 49-49 of FIG. 45, in the seventh embodiment.

1 Claim, 49 Drawing Sheets

(58) **Field of Classification Search**

CPC F21V 33/0096; F04D 25/088; F04D 29/38;
 F04D 29/384; F04D 29/386
 See application file for complete search history.

(56) **References Cited**

U.S. PATENT DOCUMENTS

D386,257 S * 11/1997 Liu D23/377
 D392,382 S * 3/1998 Pickett D23/377
 D421,113 S * 2/2000 Zuege D23/377
 D430,283 S * 8/2000 Wu D23/411
 6,200,099 B1 * 3/2001 Liao F01D 25/24
 248/343
 6,234,757 B1 * 5/2001 Pearce F04D 25/088
 416/244 R

6,726,169 B1 * 4/2004 Tseng F04D 29/601
 248/343
 6,877,703 B2 * 4/2005 Tang F04D 25/088
 248/220.22
 D513,799 S * 1/2006 Li D23/411
 D534,273 S * 12/2006 Pan D23/411
 D570,030 S * 5/2008 Starck D26/84
 D581,039 S * 11/2008 Smyth D23/411
 D594,544 S * 6/2009 Pan D23/377
 D628,687 S * 12/2010 Yao D23/377
 D651,865 S * 1/2012 Smyers D7/584
 D701,299 S * 3/2014 Oba D23/370
 D702,340 S * 4/2014 Yabuuchi D23/411
 D706,410 S * 6/2014 Pan D23/411
 D716,436 S * 10/2014 Johnson D23/377
 D726,297 S * 4/2015 Liu D23/377
 D743,528 S * 11/2015 Wang D23/411
 D745,961 S * 12/2015 Pickett D23/411
 D746,508 S * 12/2015 Deluca D26/118
 D771,230 S * 11/2016 Jones D23/377
 D783,145 S * 4/2017 Wang D23/411
 D784,137 S * 4/2017 Cates D9/500
 D788,283 S * 5/2017 Busta D23/377
 D788,284 S * 5/2017 Wang D23/377
 D795,410 S * 8/2017 Holmes D23/377
 D799,661 S * 10/2017 Holmes D23/377
 D799,680 S * 10/2017 Wang D23/385
 D801,510 S * 10/2017 O'Connell D23/377
 D807,491 S * 1/2018 Haggar D23/377
 D849,925 S * 5/2019 Noble D23/411
 2003/0082062 A1 * 5/2003 Chen F04D 25/088
 417/423.5
 2011/0280734 A1 * 11/2011 Yao F04D 25/088
 416/244 R
 2015/0090858 A1 * 4/2015 Broughman F04D 25/088
 248/674
 2015/0176604 A1 * 6/2015 Lin F04D 19/002
 248/634
 2015/0330410 A1 * 11/2015 Yao F04D 29/644
 417/424.1
 2016/0111816 A1 * 4/2016 Walker F04D 29/601
 417/423.7
 2016/0319842 A1 * 11/2016 Botkin F04D 29/601
 2017/0045197 A1 * 2/2017 Rossi F21V 1/08
 2017/0248148 A1 * 8/2017 Kohen F21V 33/0092
 2018/0172014 A1 * 6/2018 Johnson F04D 29/34

* cited by examiner

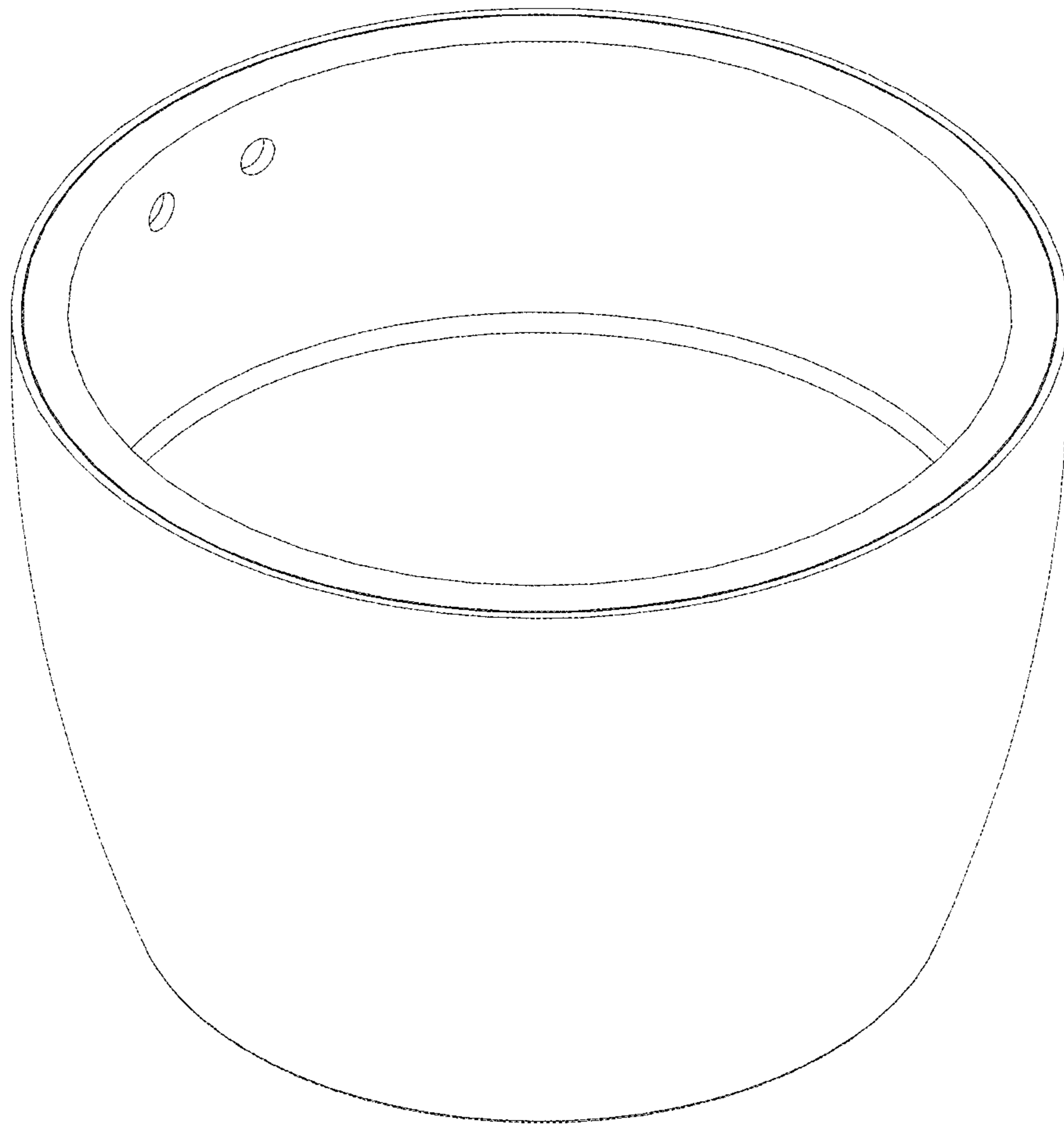


FIG. 1

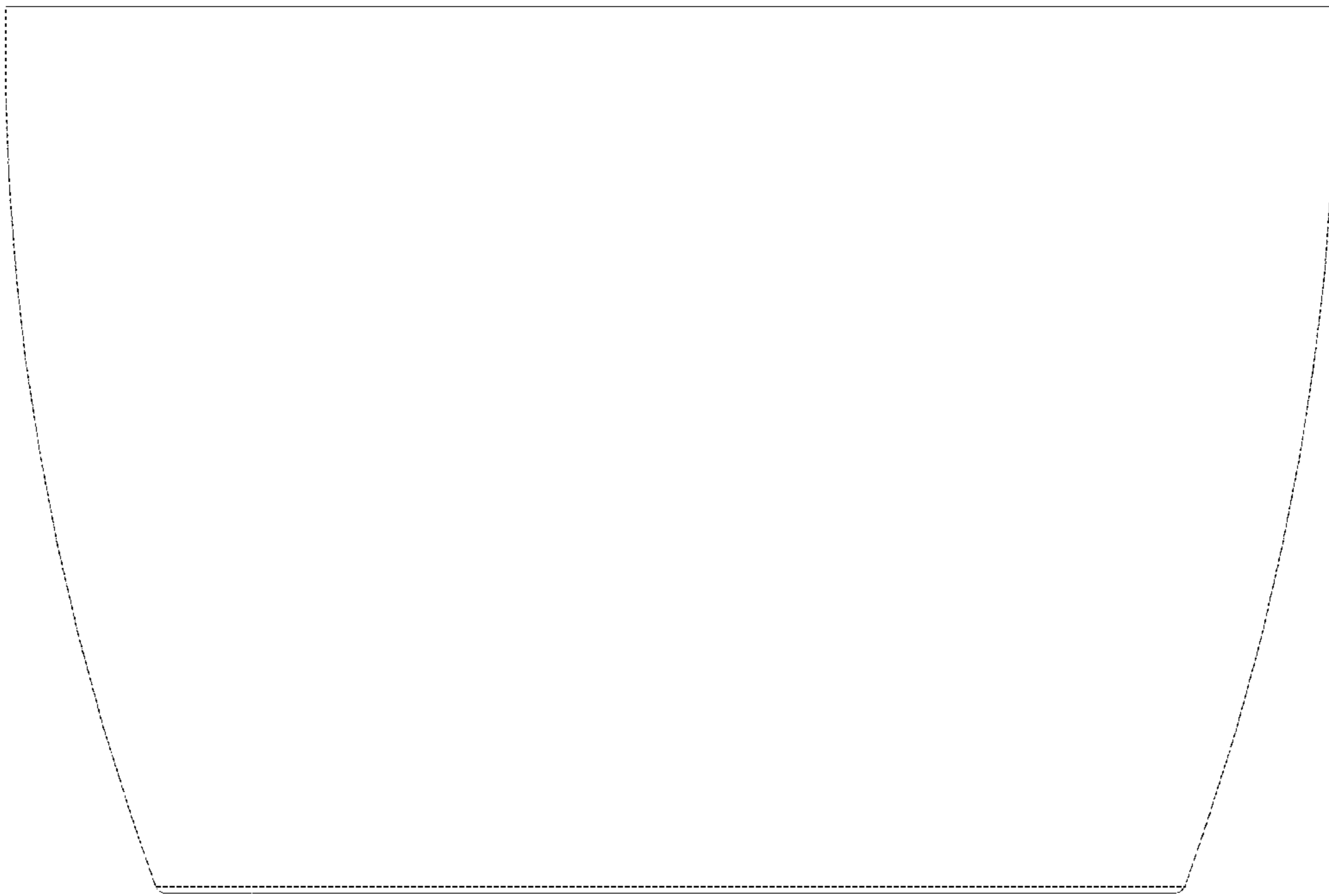


FIG. 2

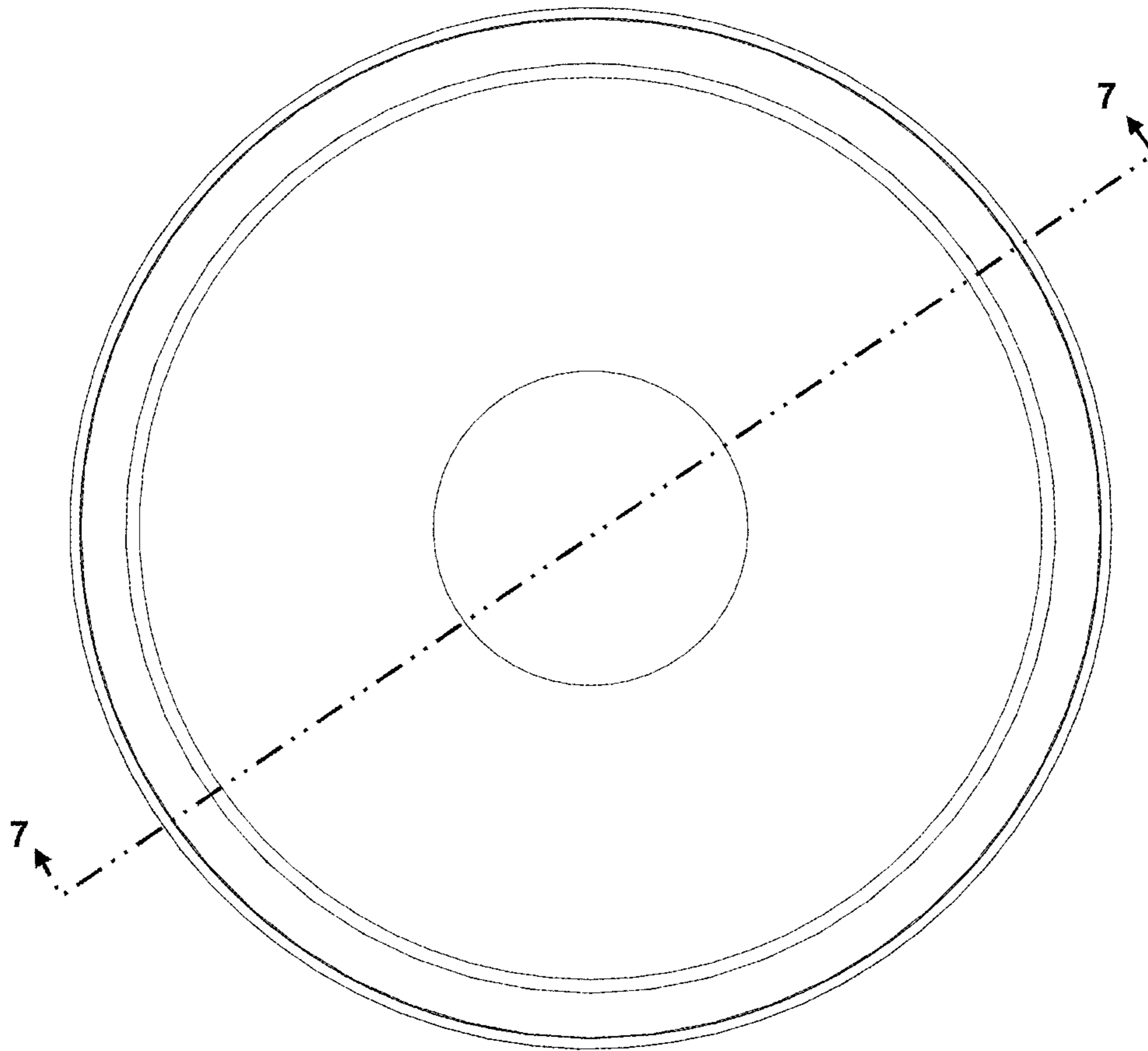


FIG. 3

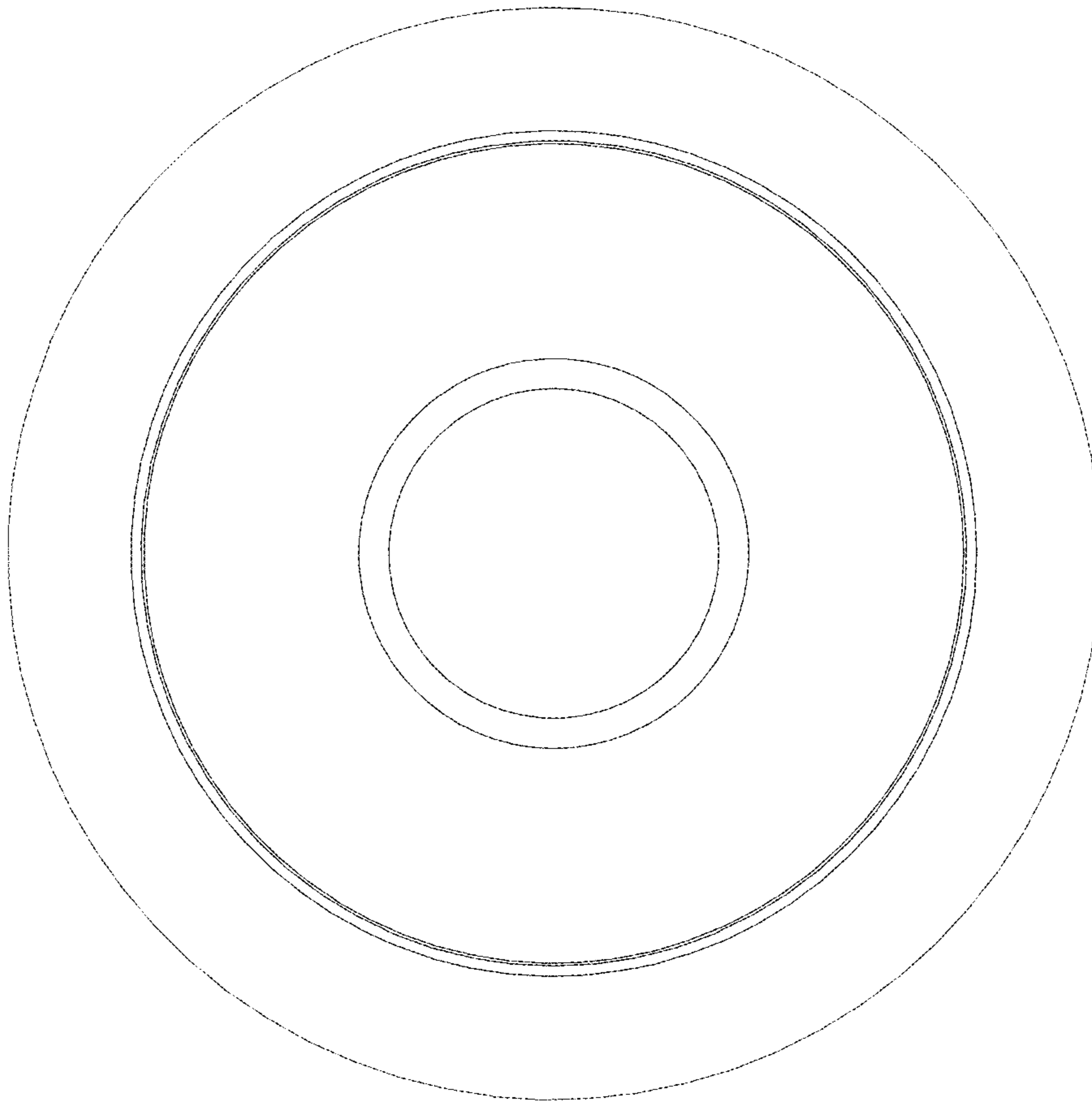


FIG. 4

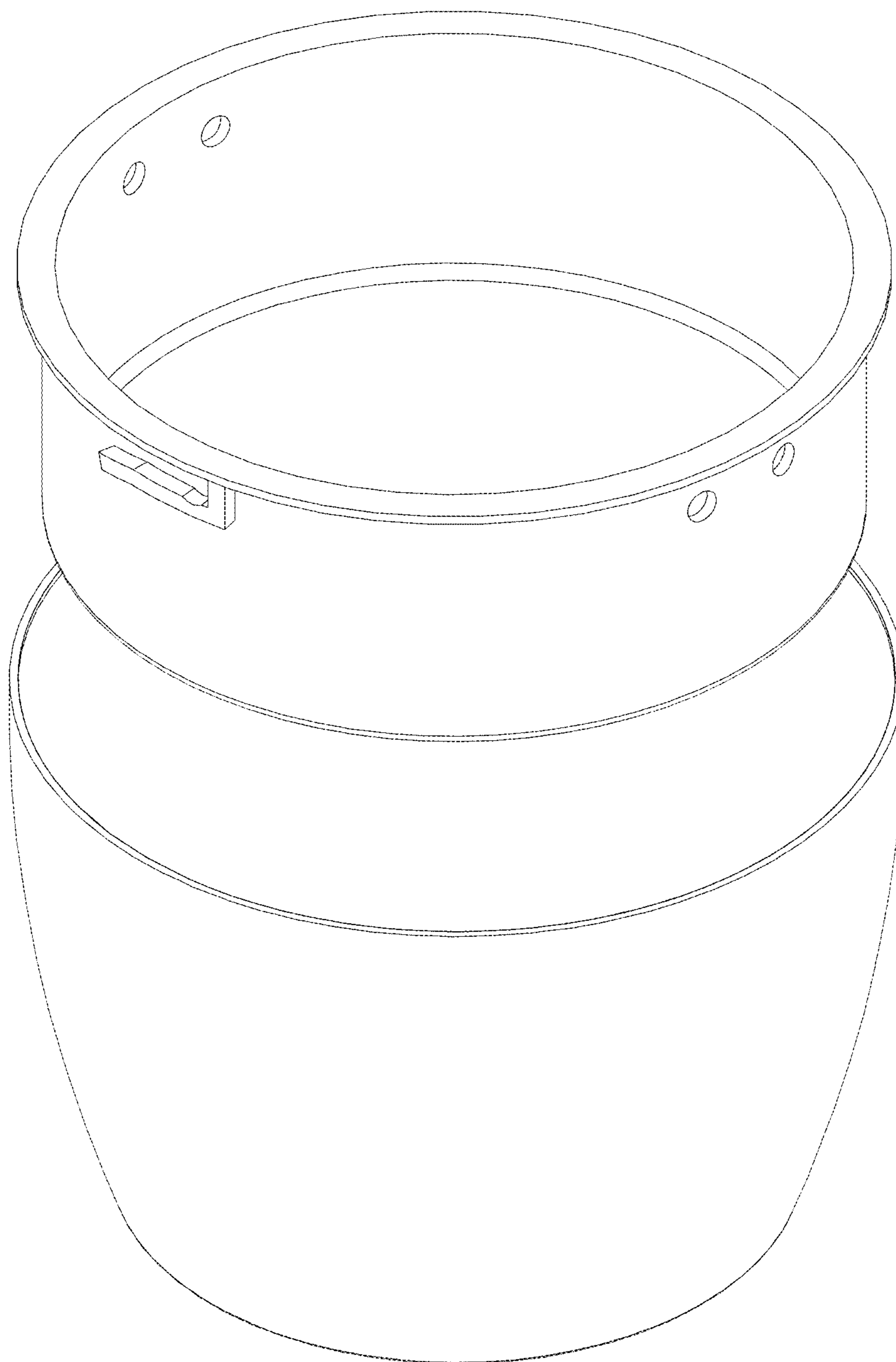


FIG. 5

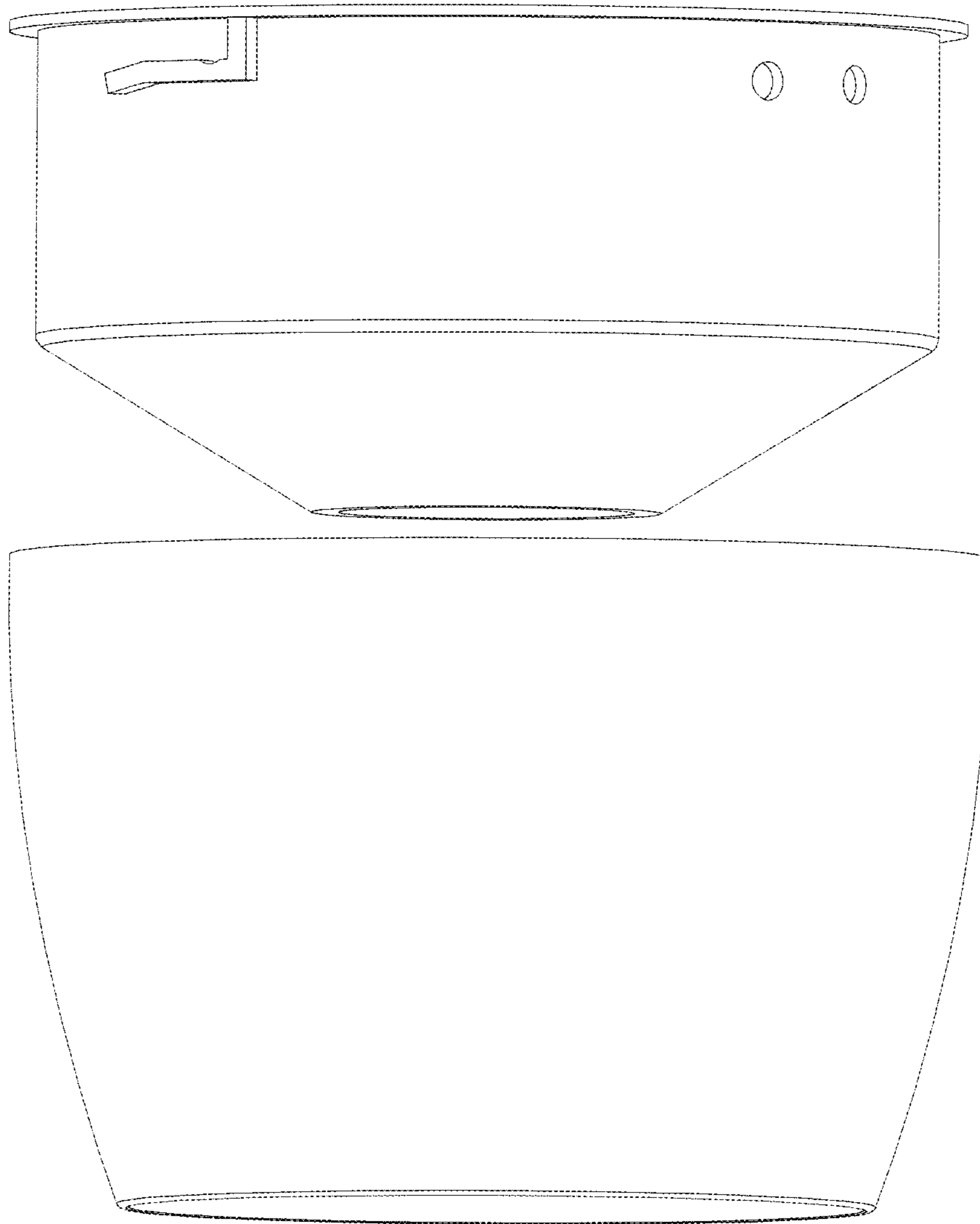


FIG. 6

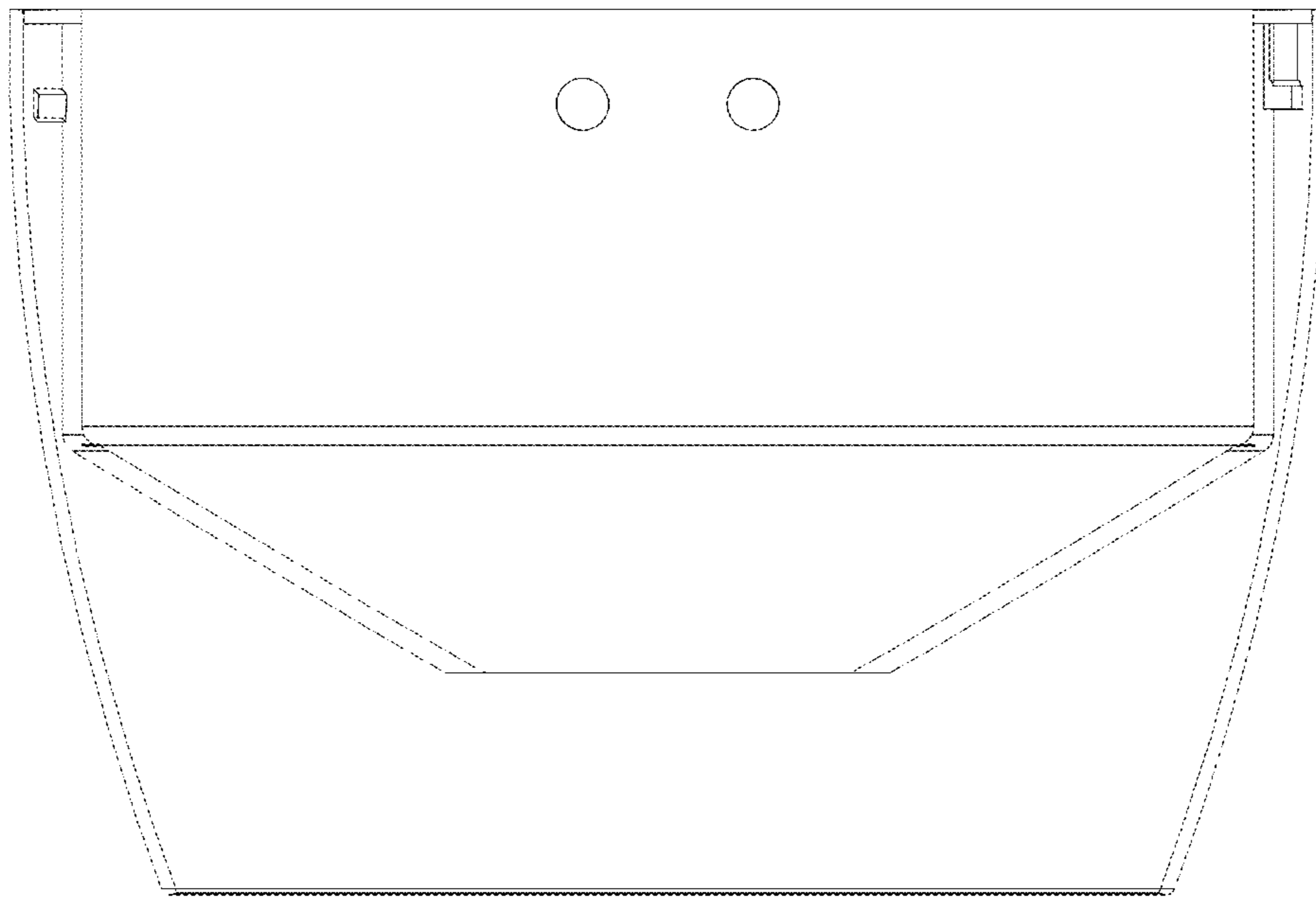


FIG. 7

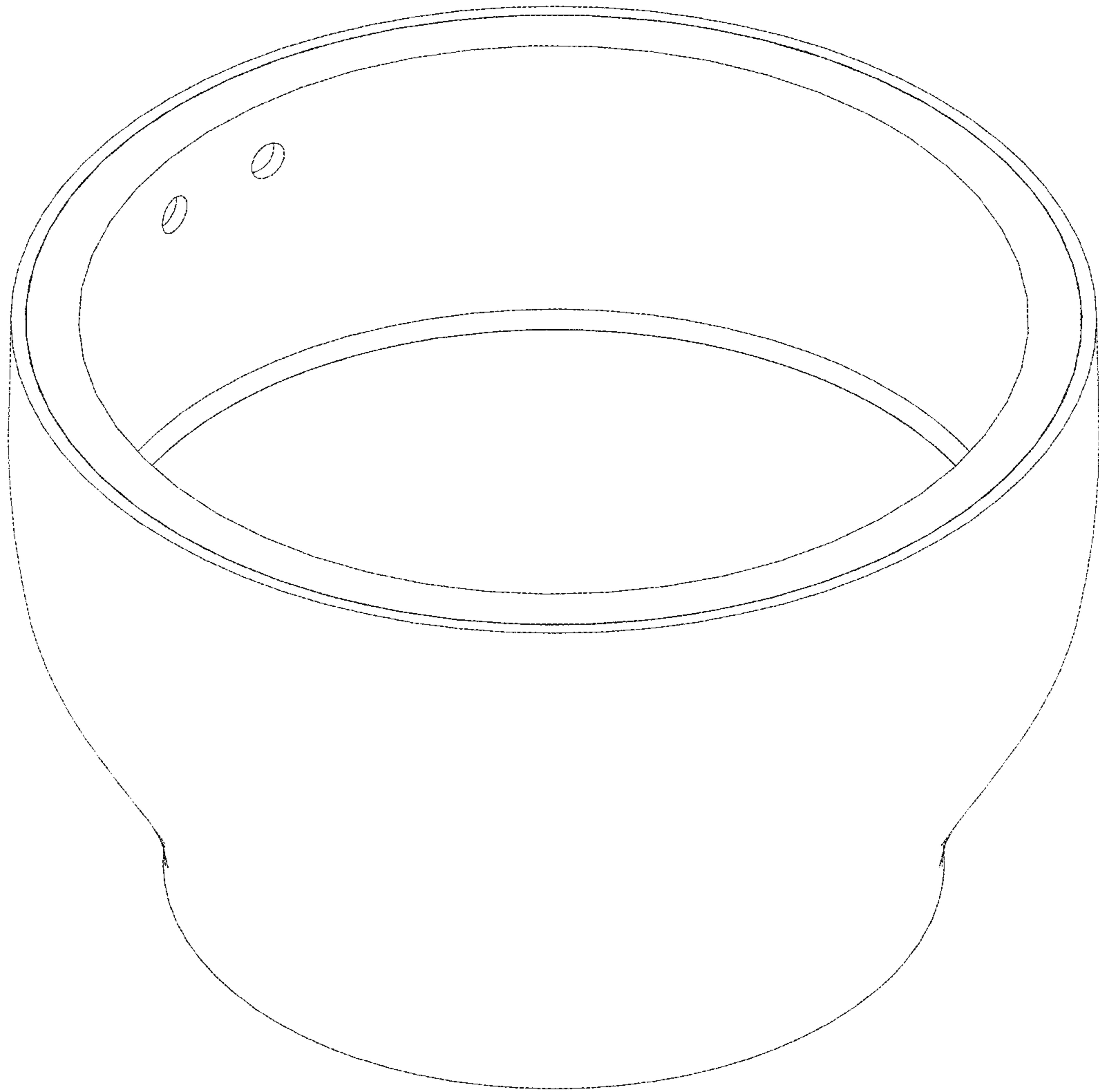


FIG. 8

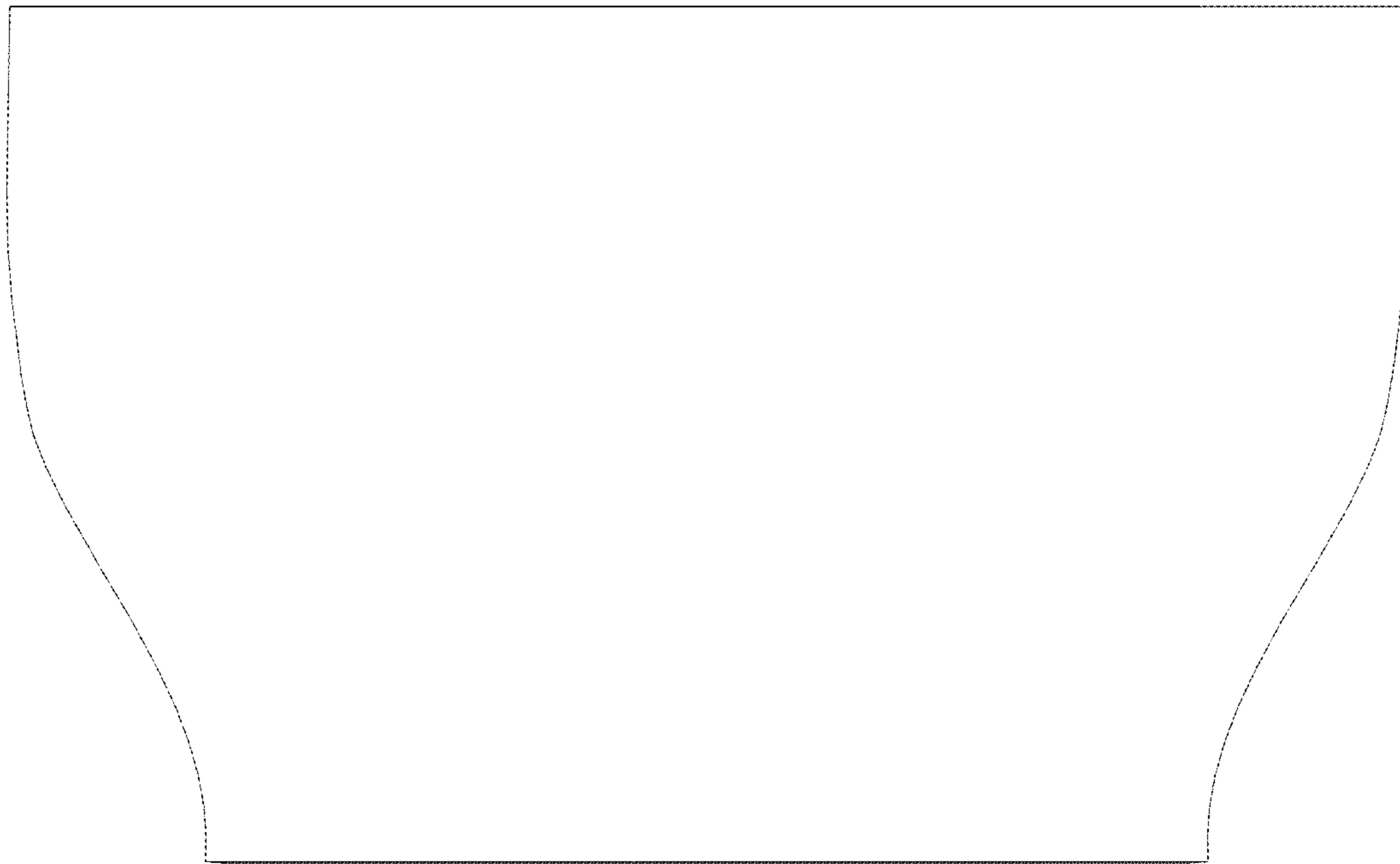


FIG. 9

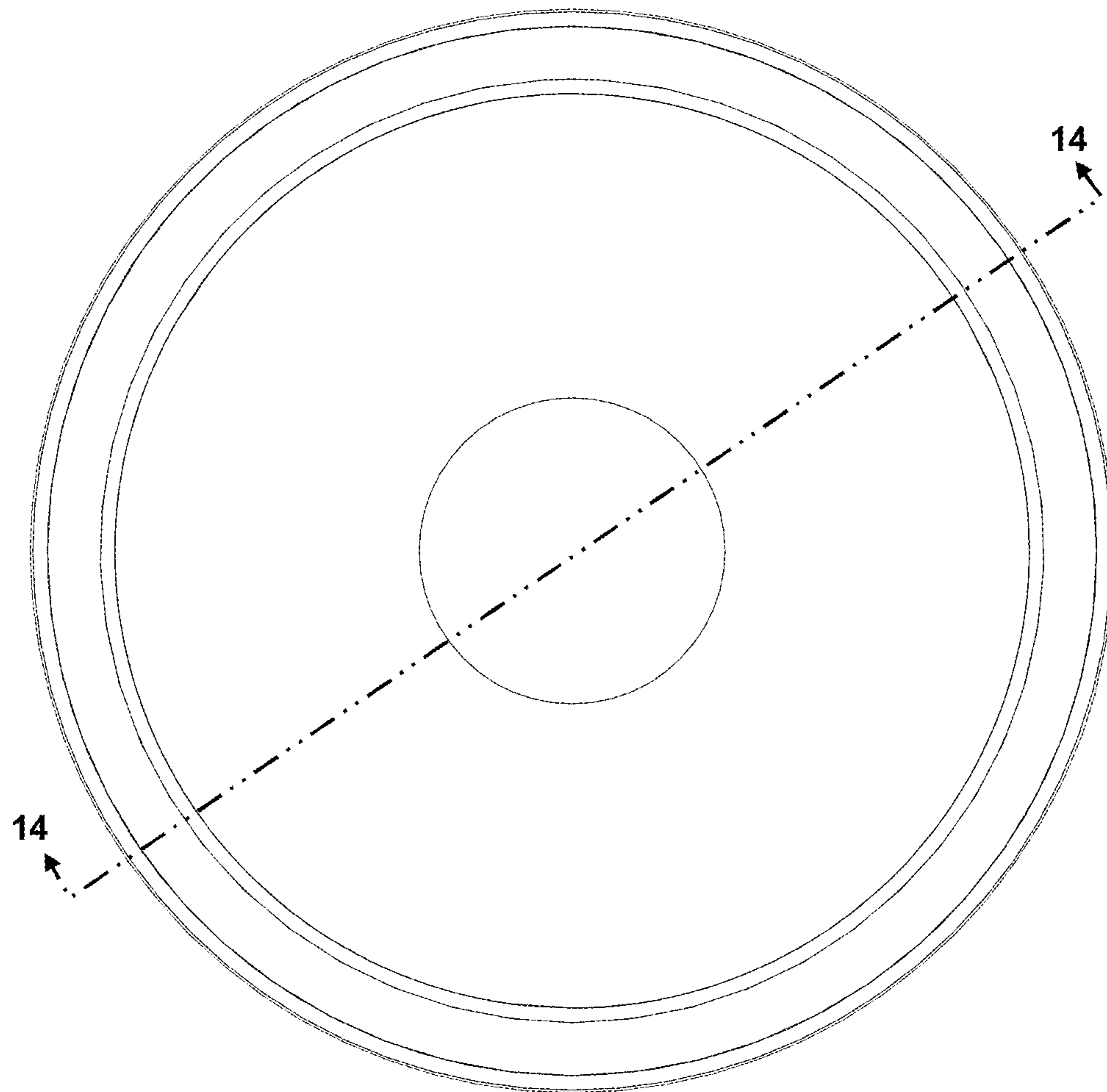


FIG. 10

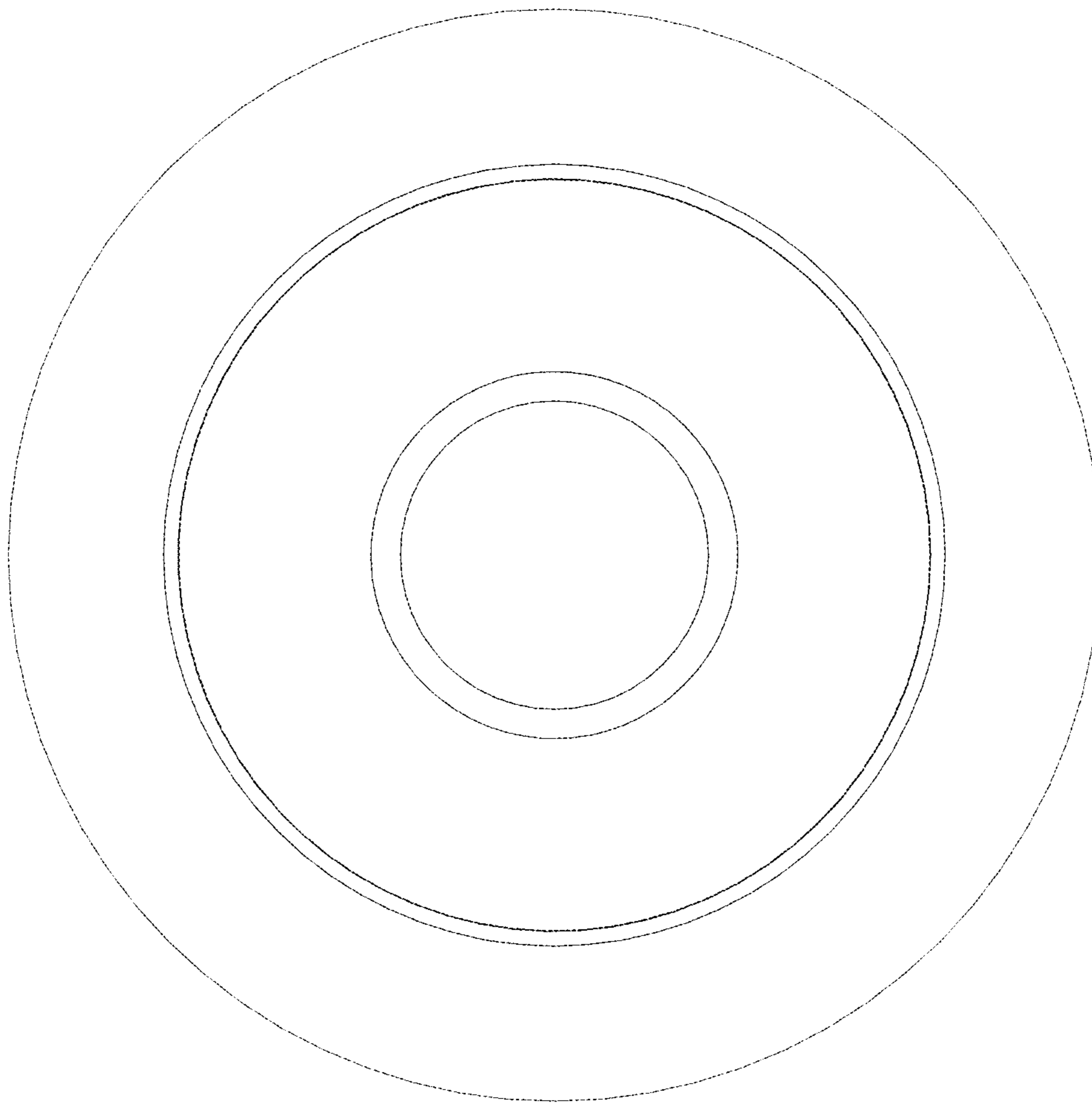


FIG. 11

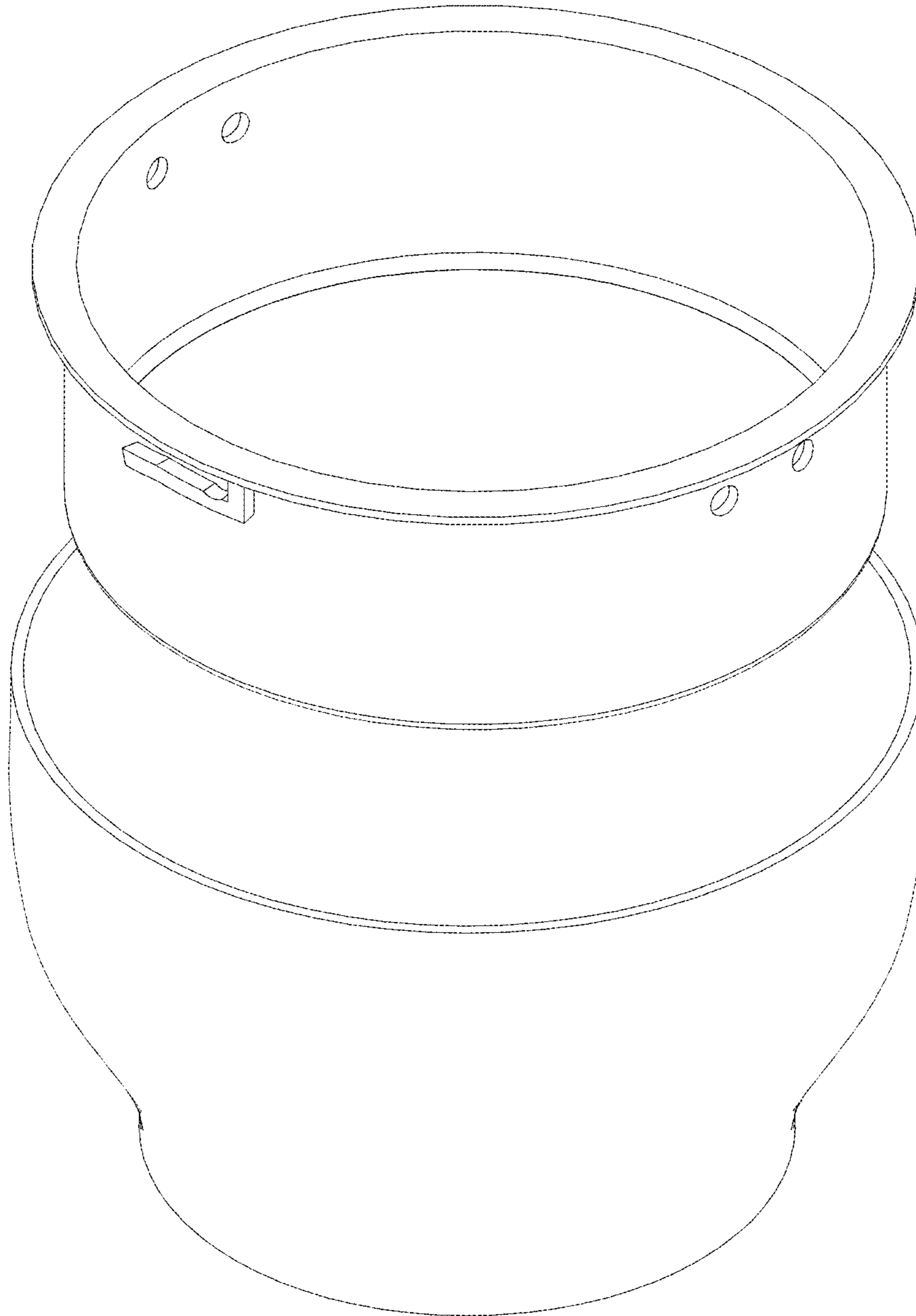


FIG. 12

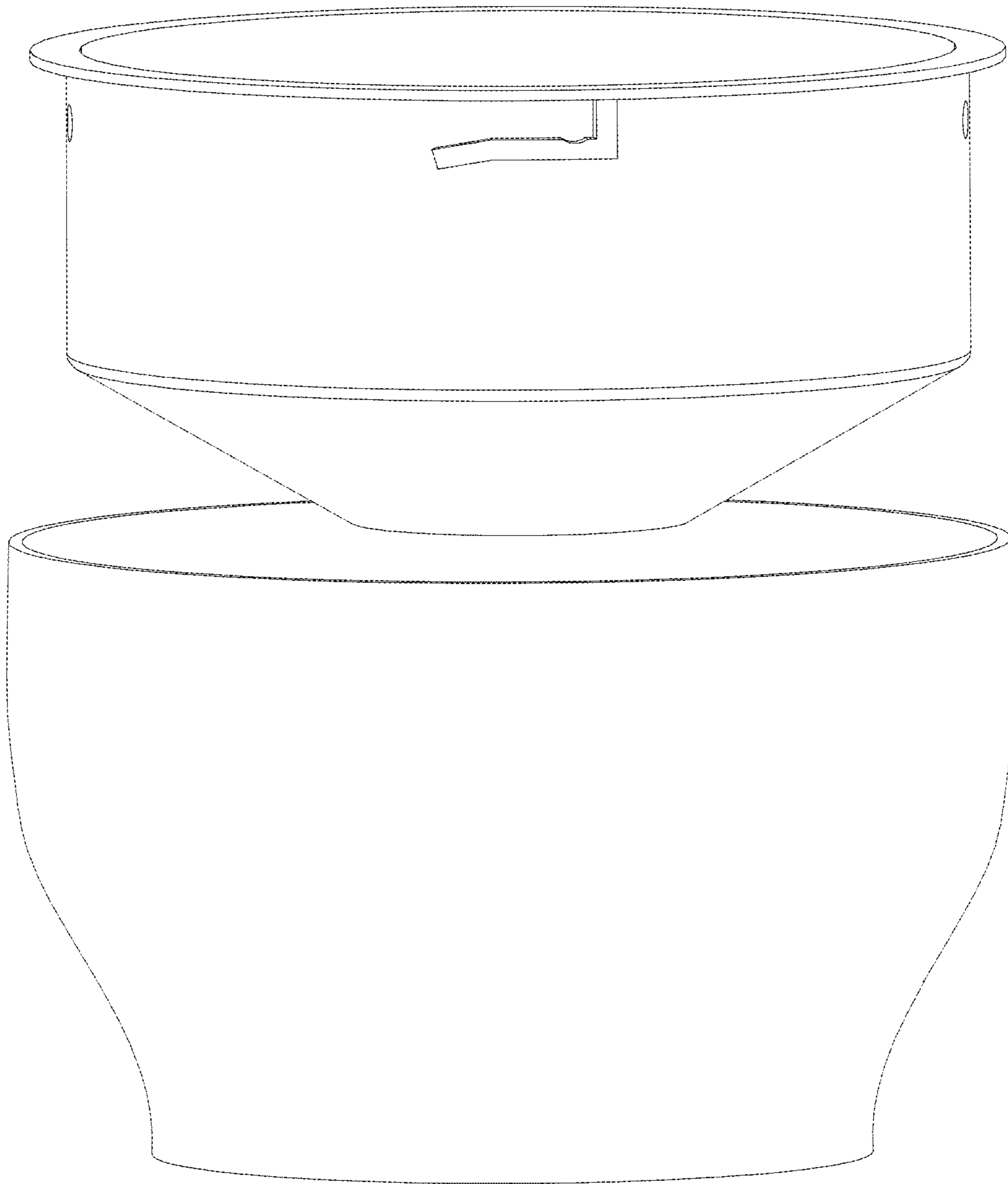


FIG. 13

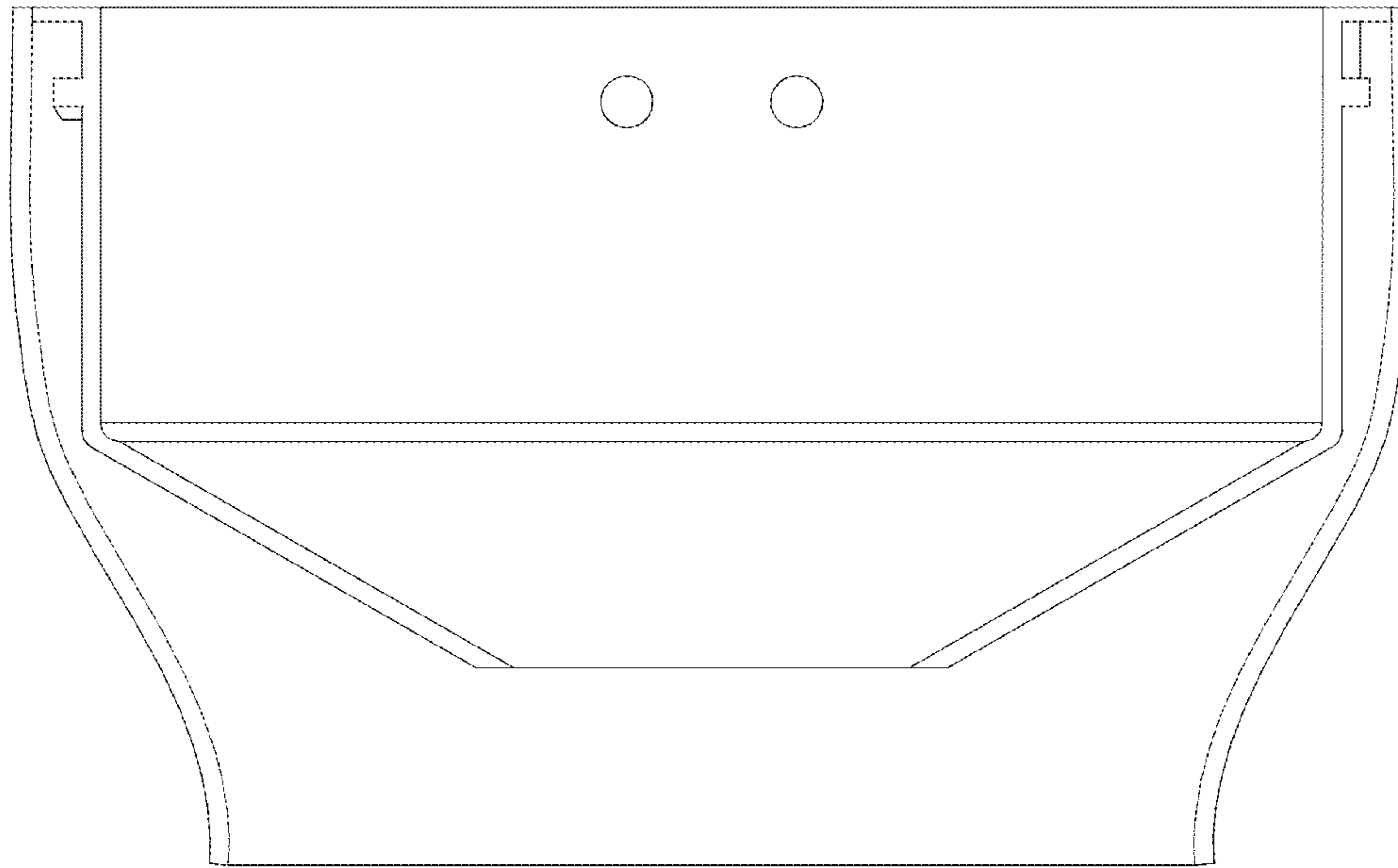


FIG. 14

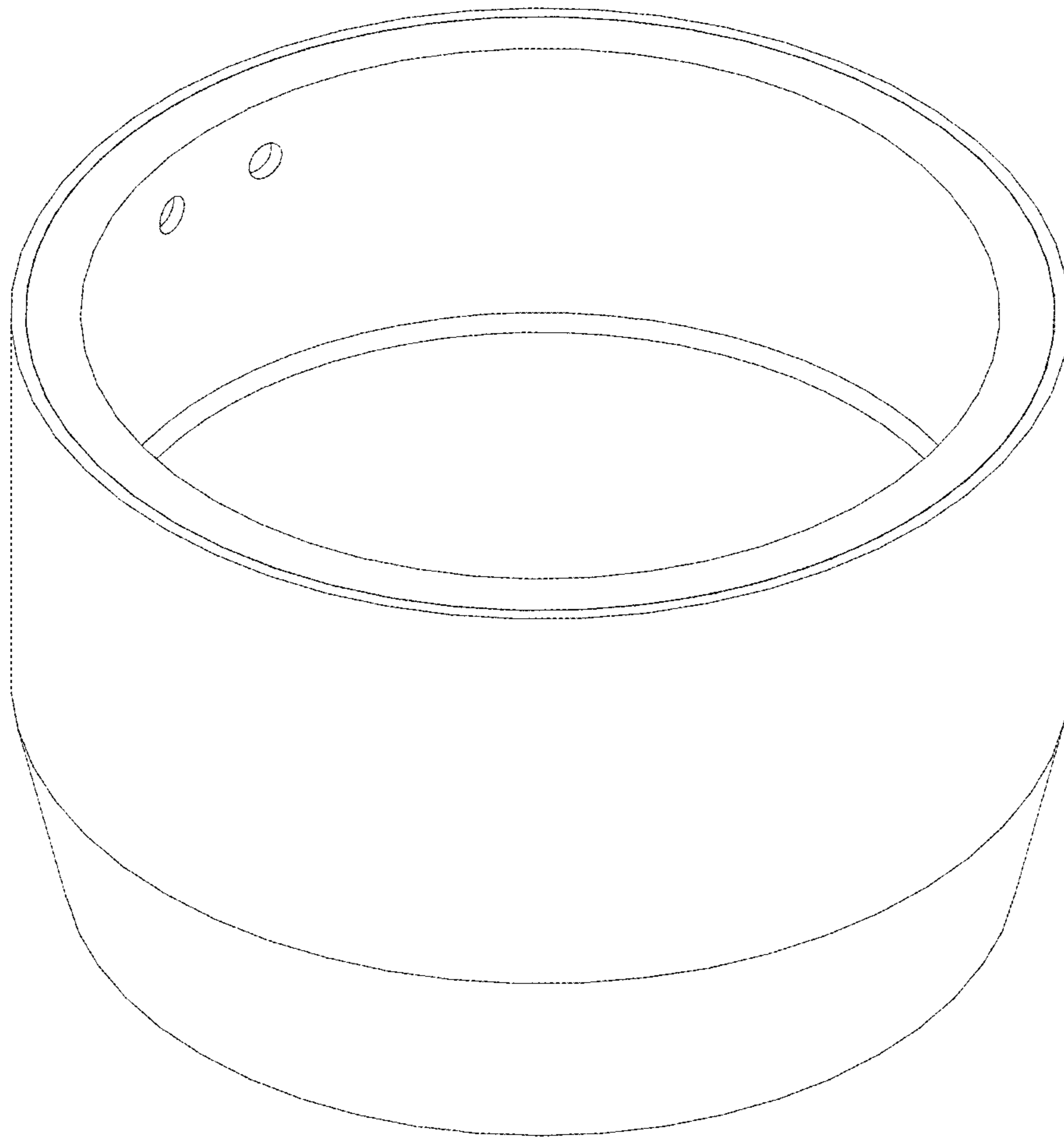


FIG. 15

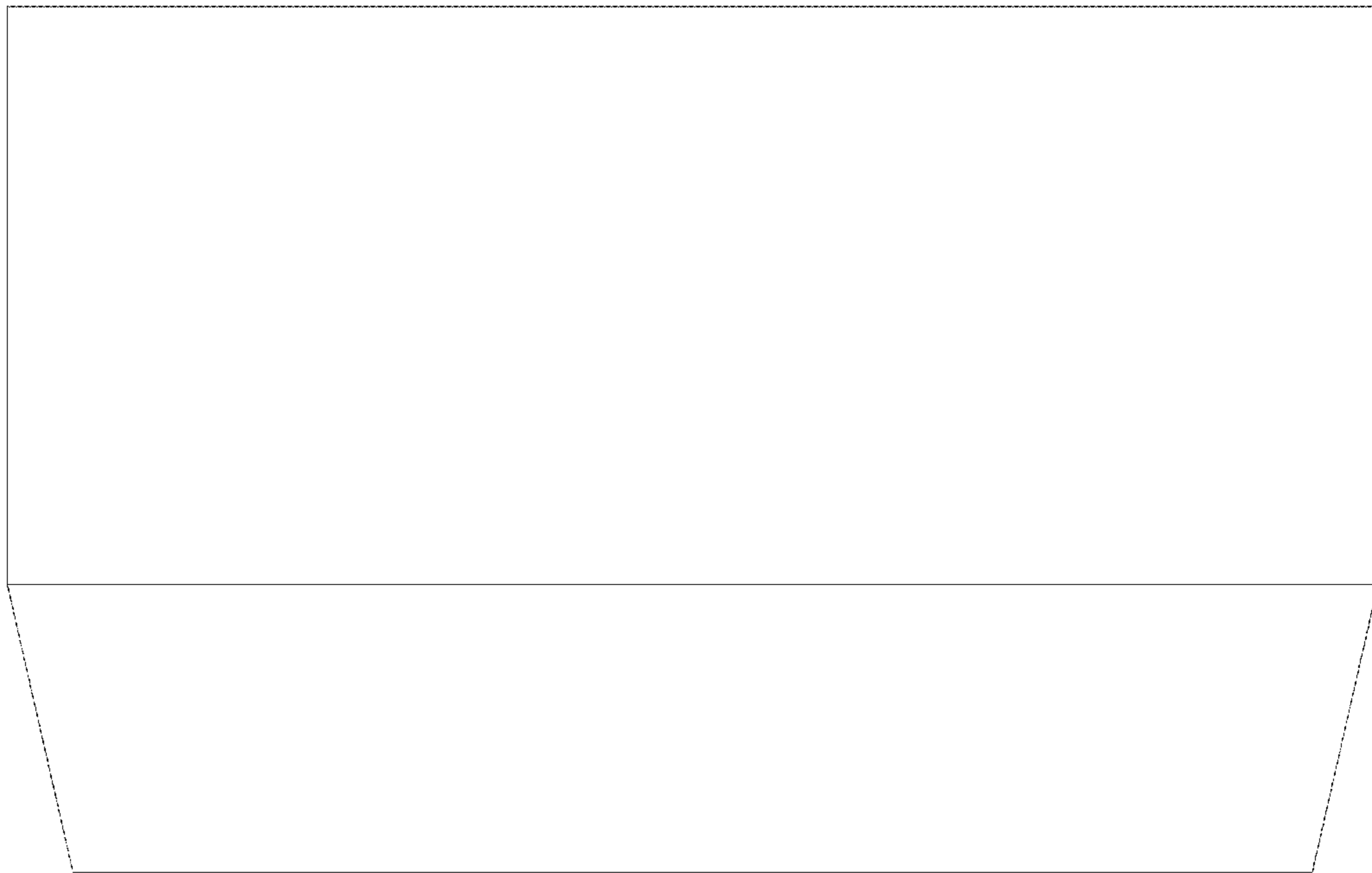


FIG. 16

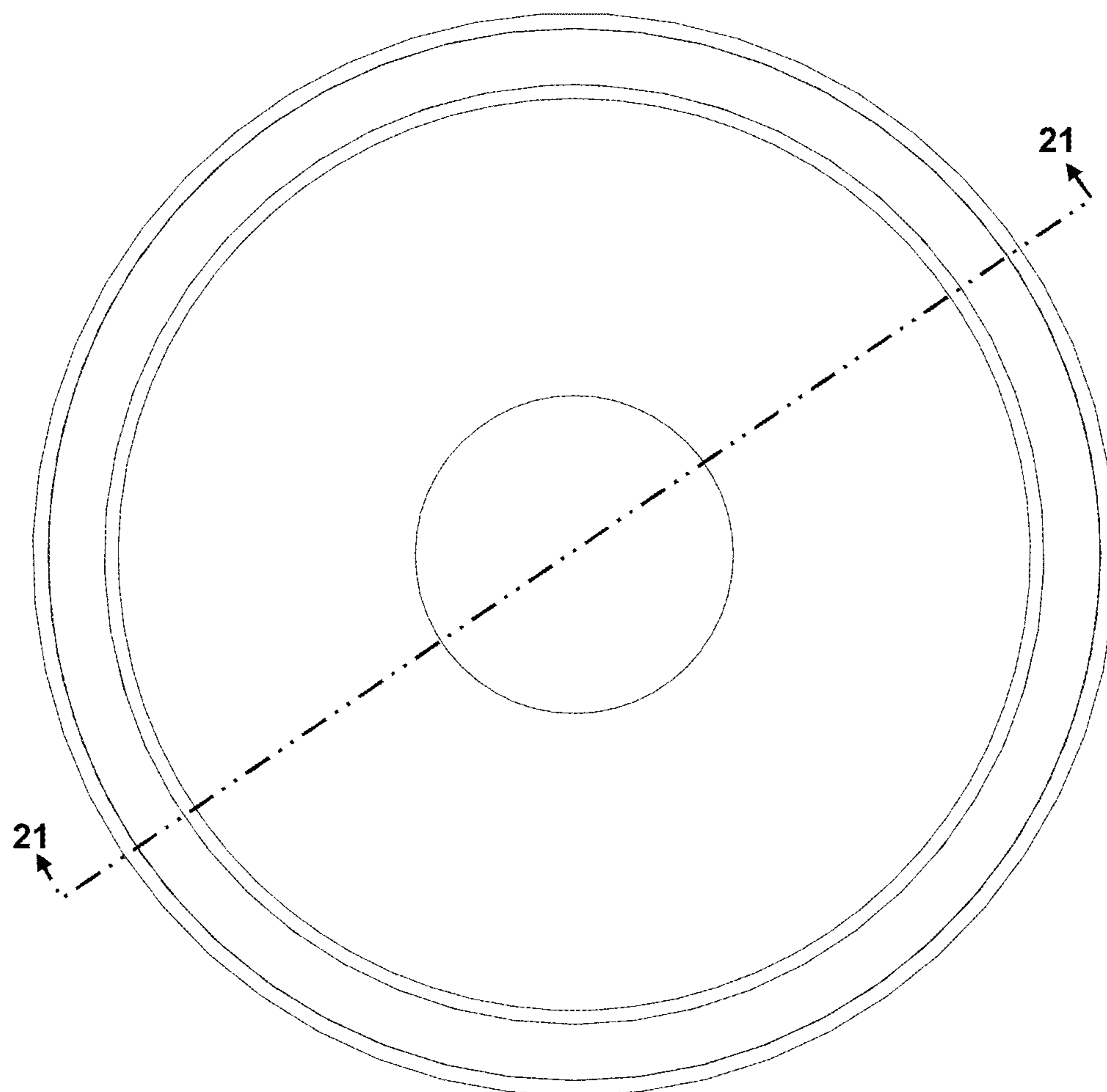


FIG. 17

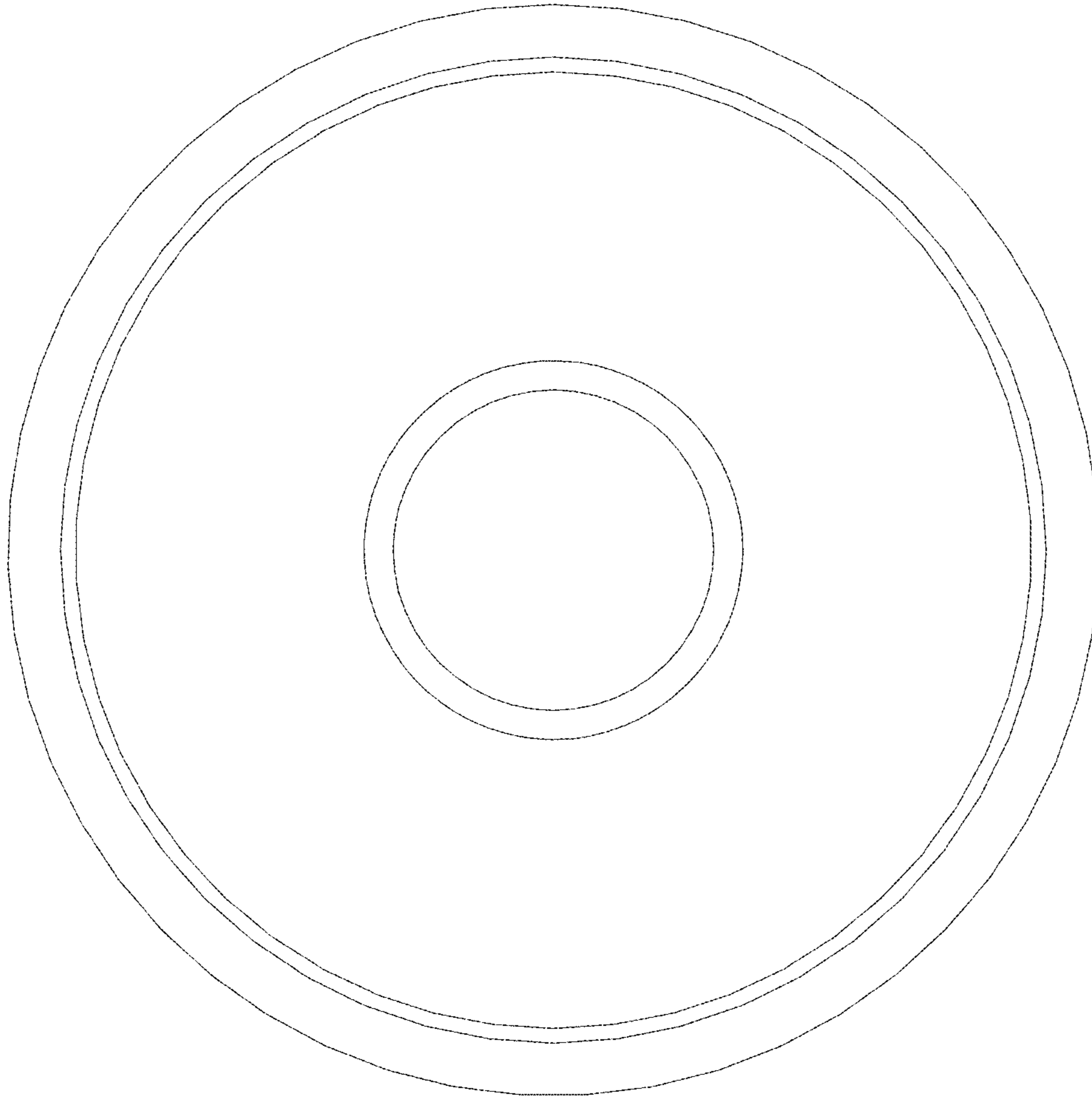


FIG. 18

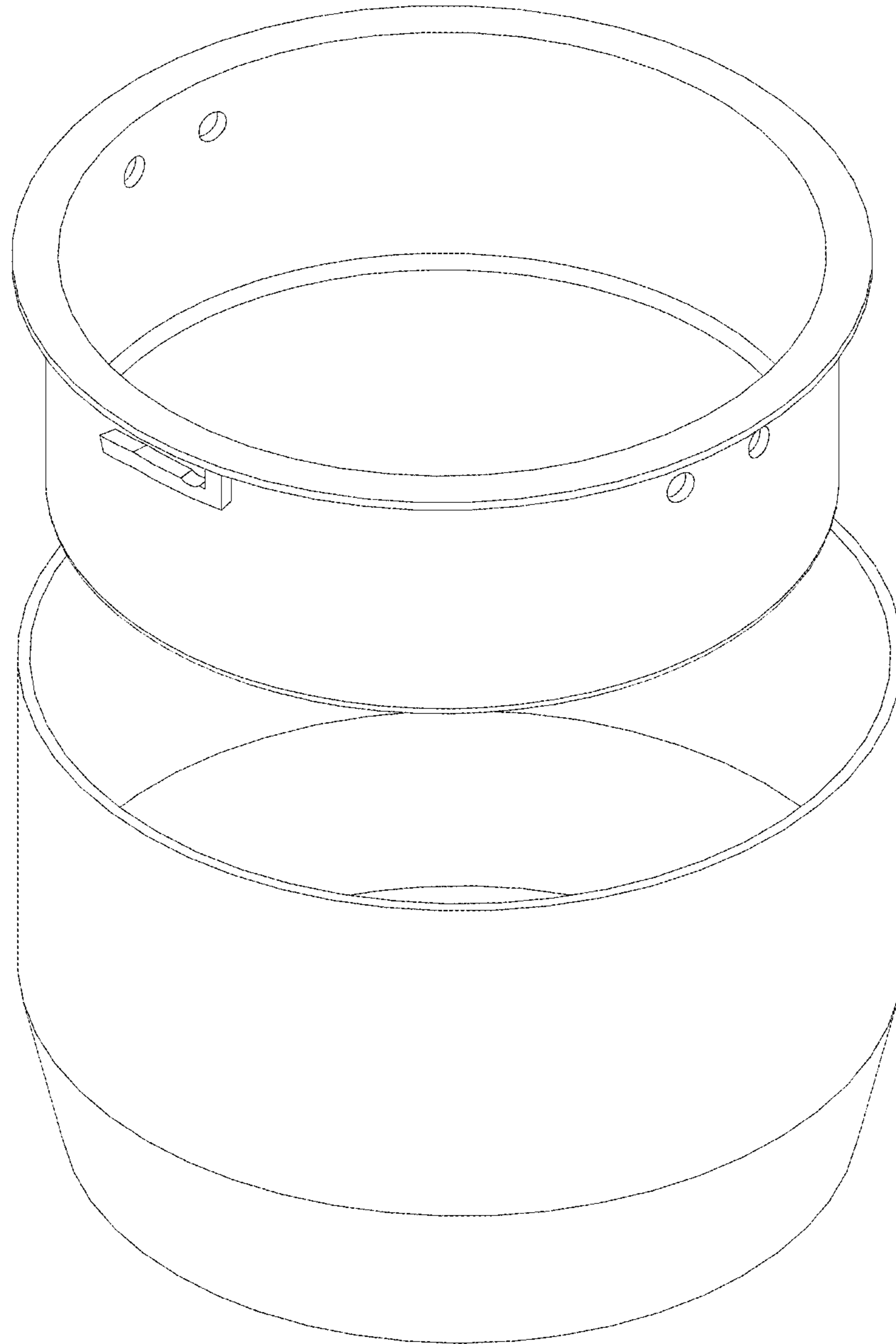


FIG. 19

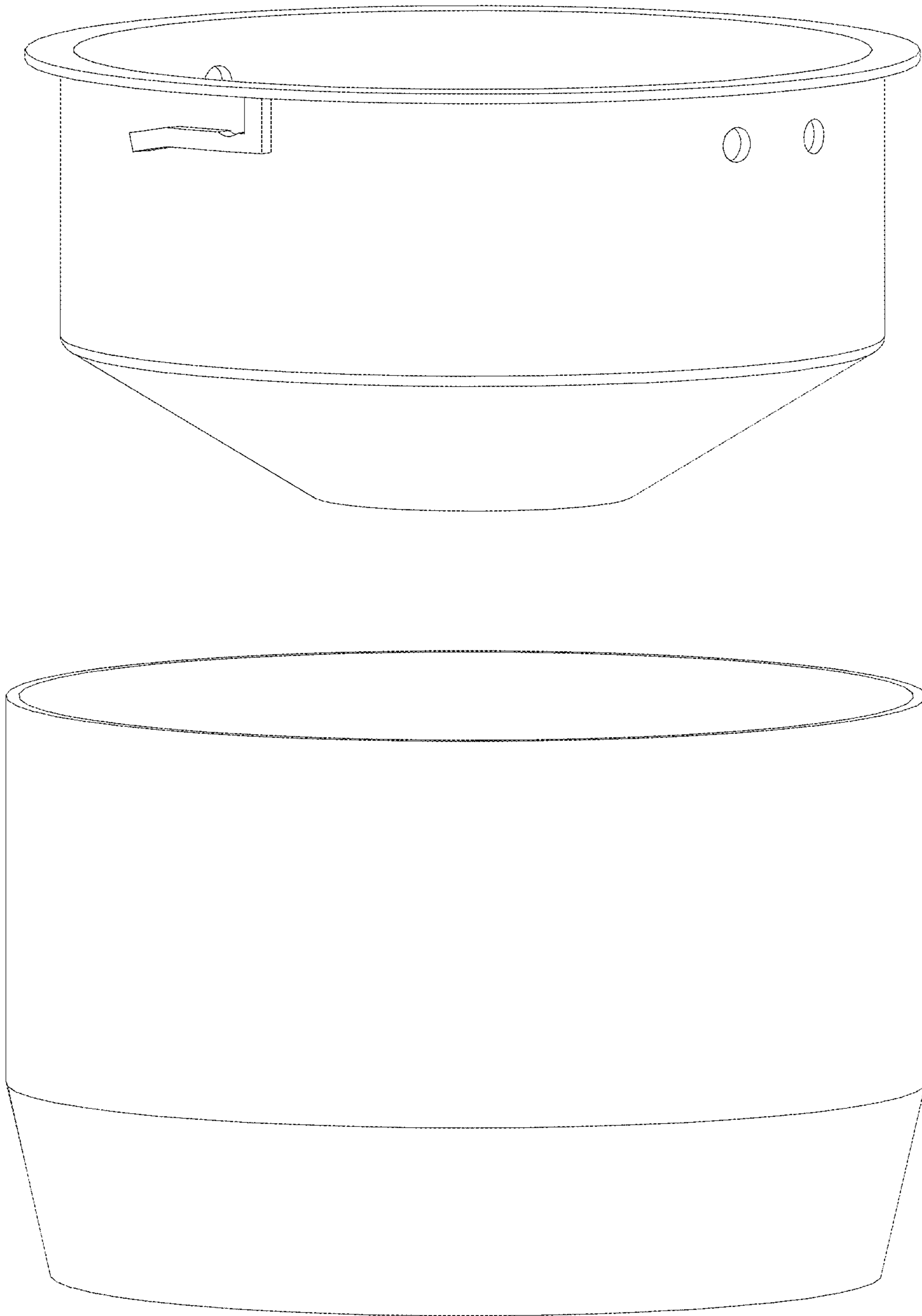


FIG. 20

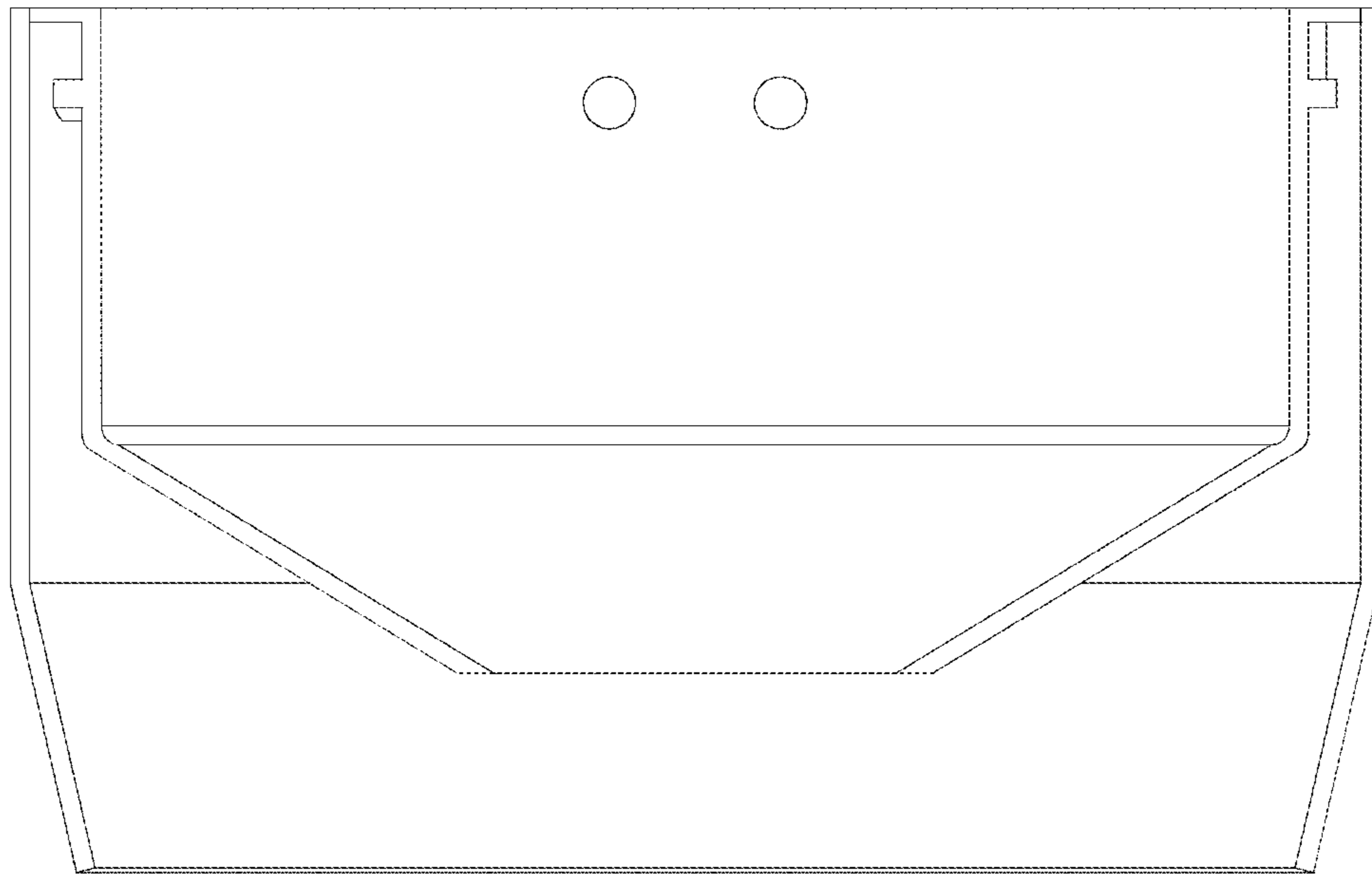


FIG. 21

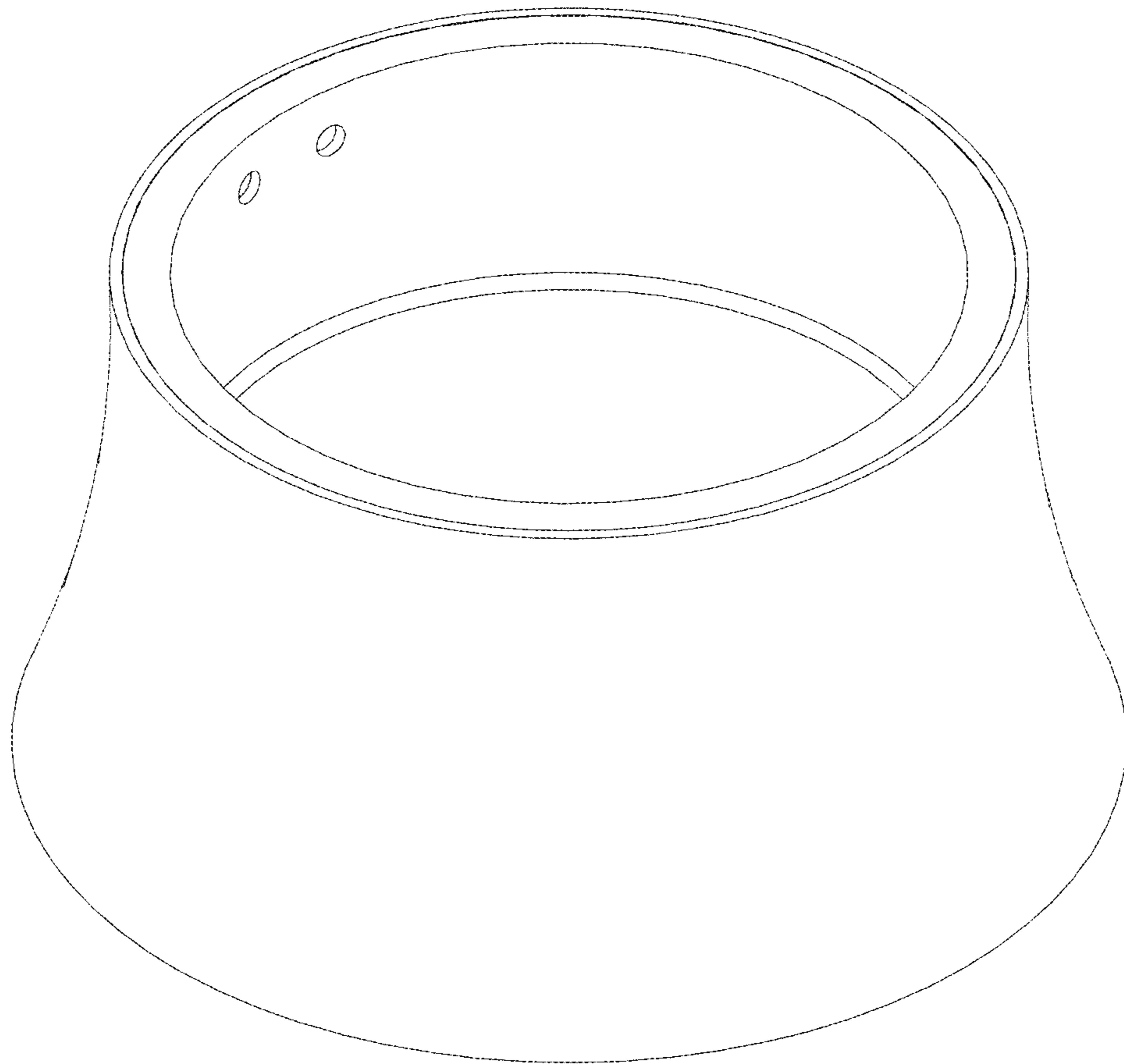


FIG. 22

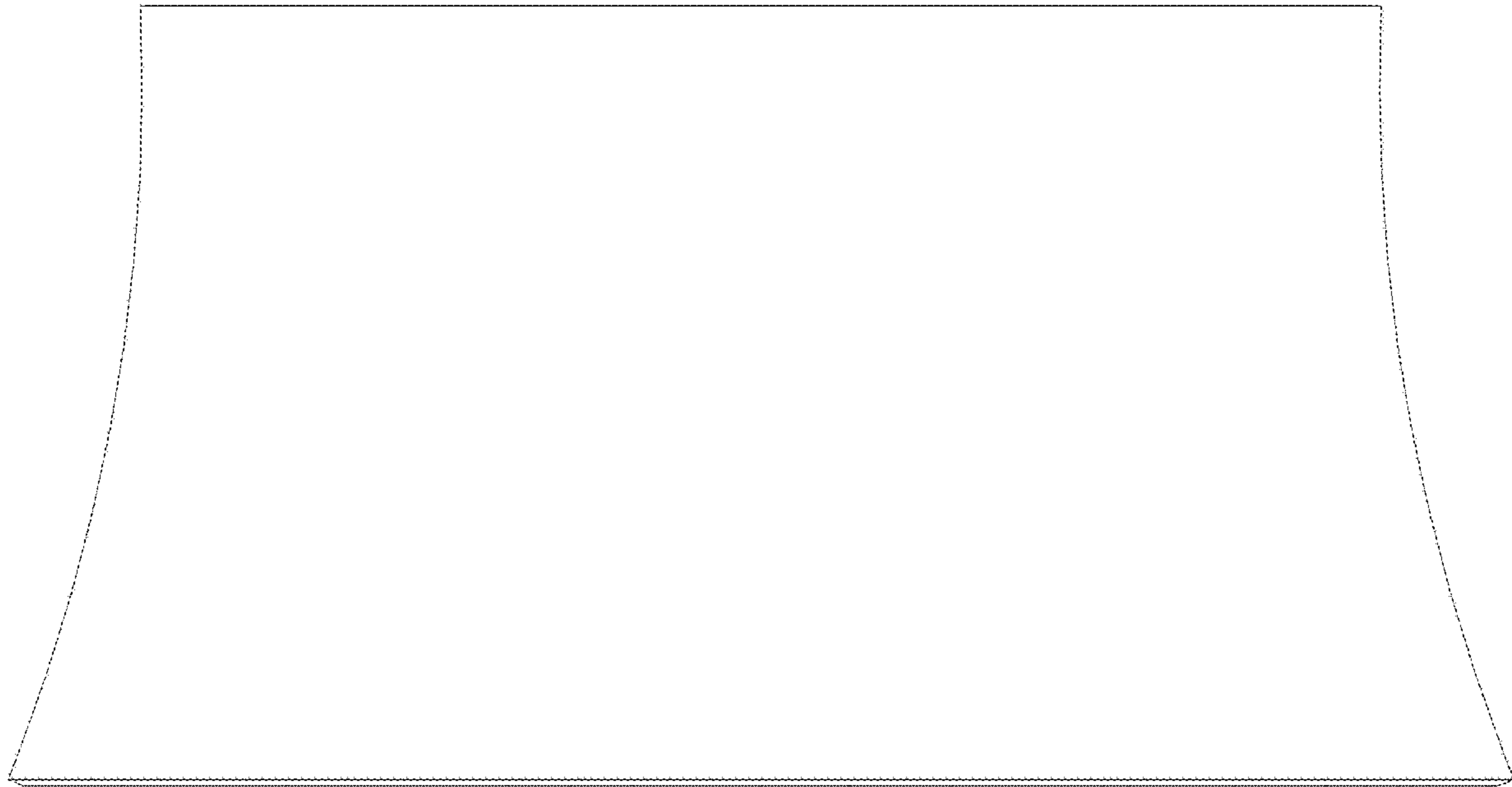


FIG. 23

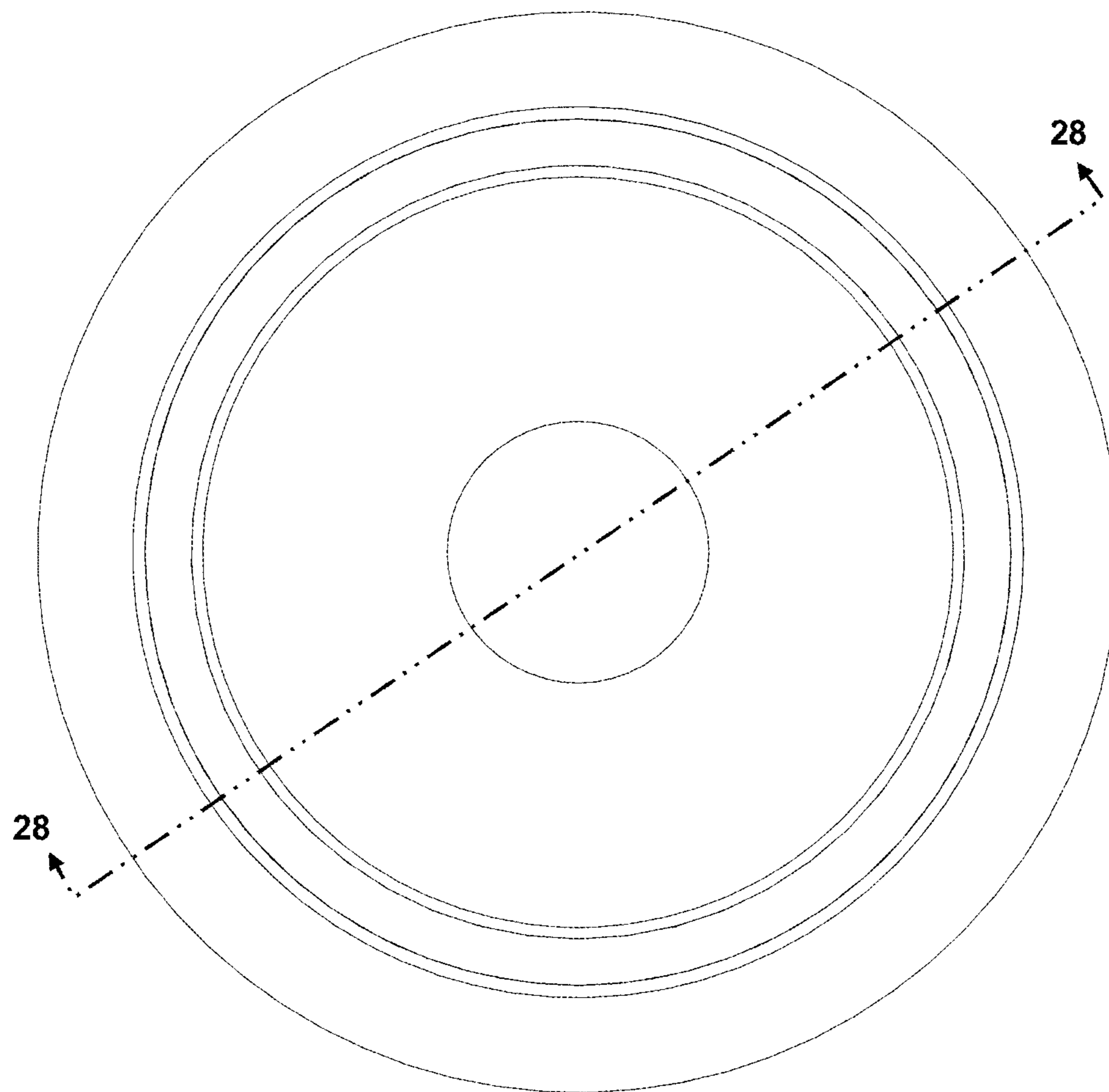


FIG. 24

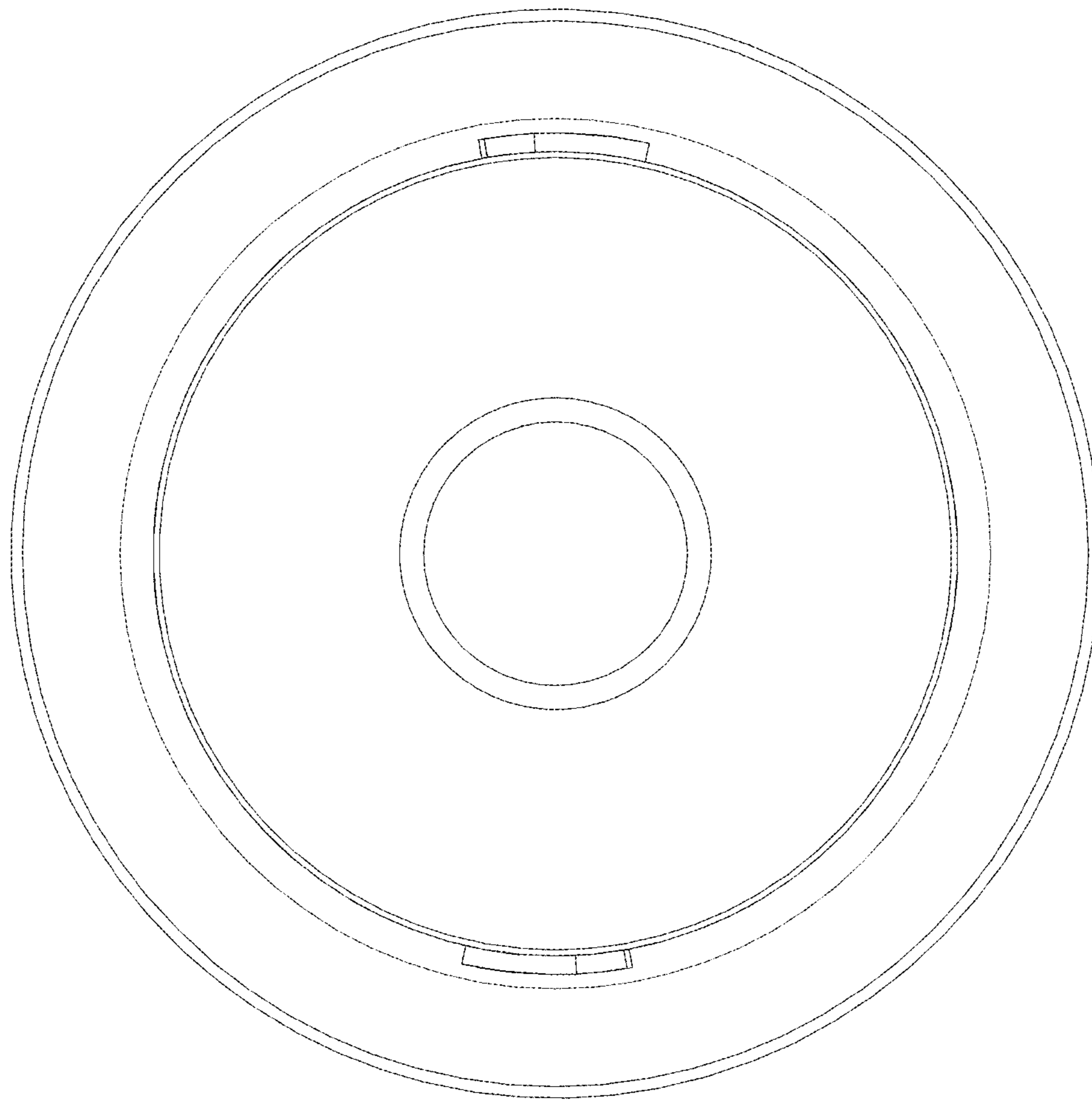


FIG. 25

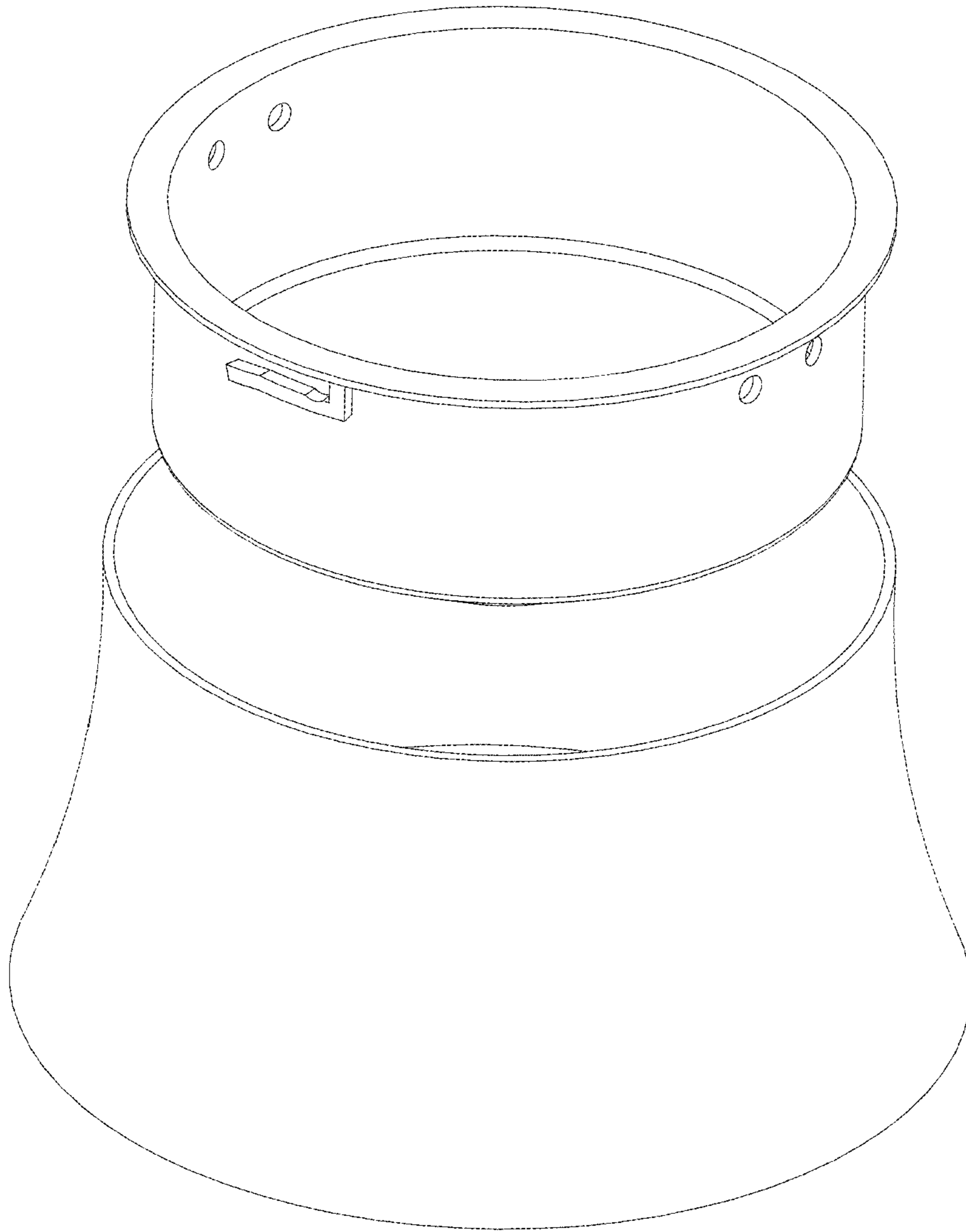


FIG. 26

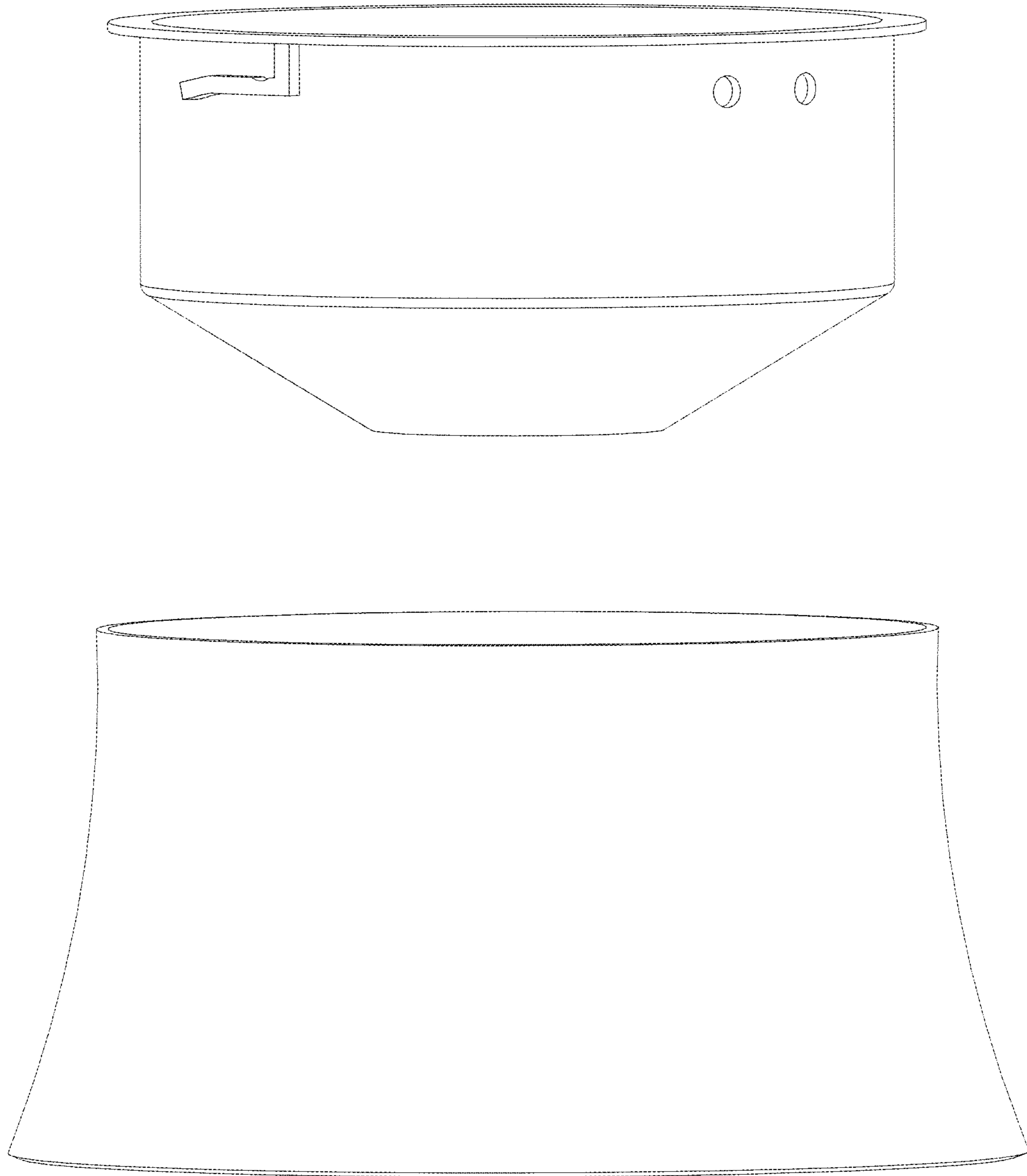


FIG. 27

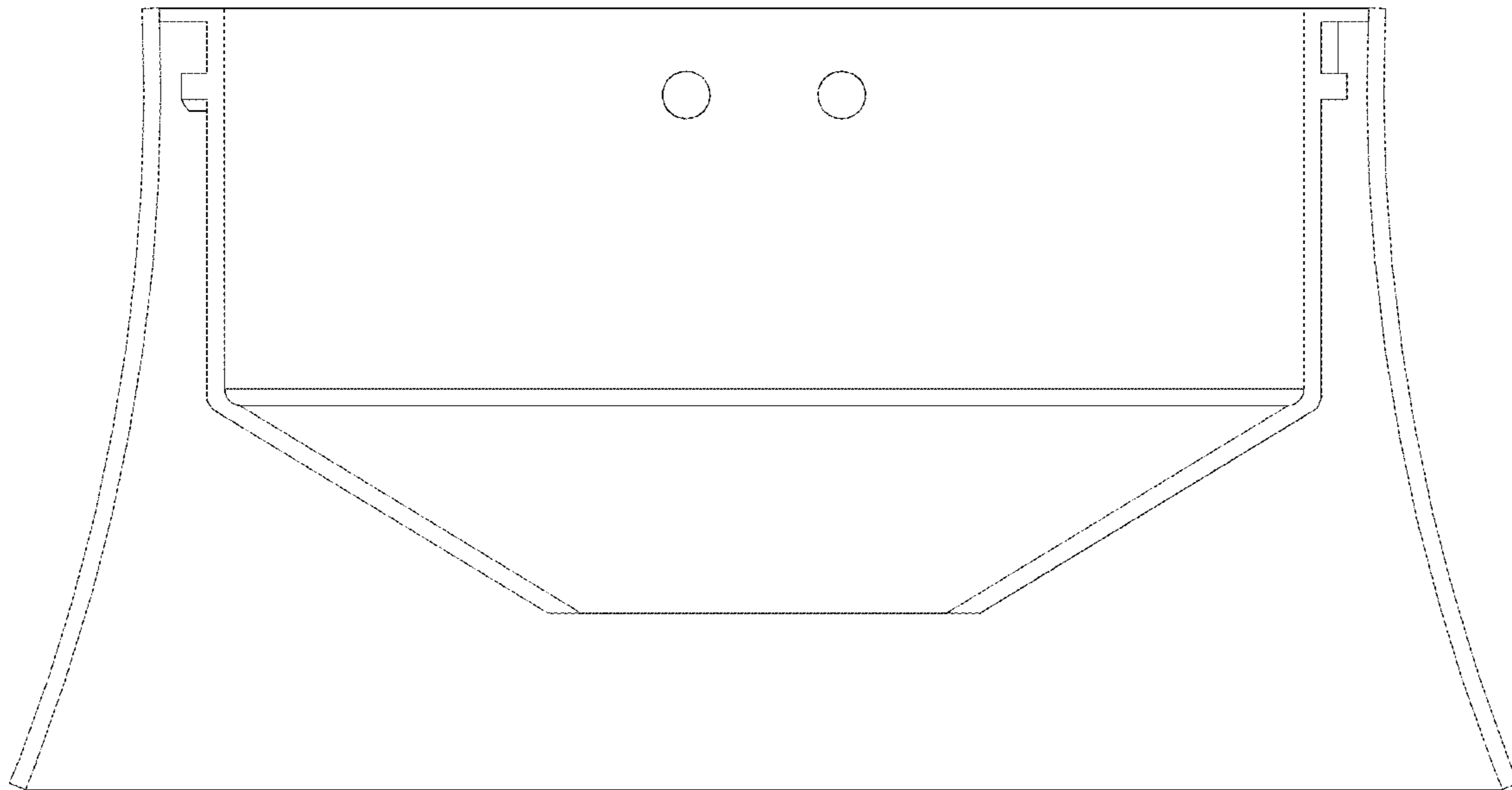


FIG. 28

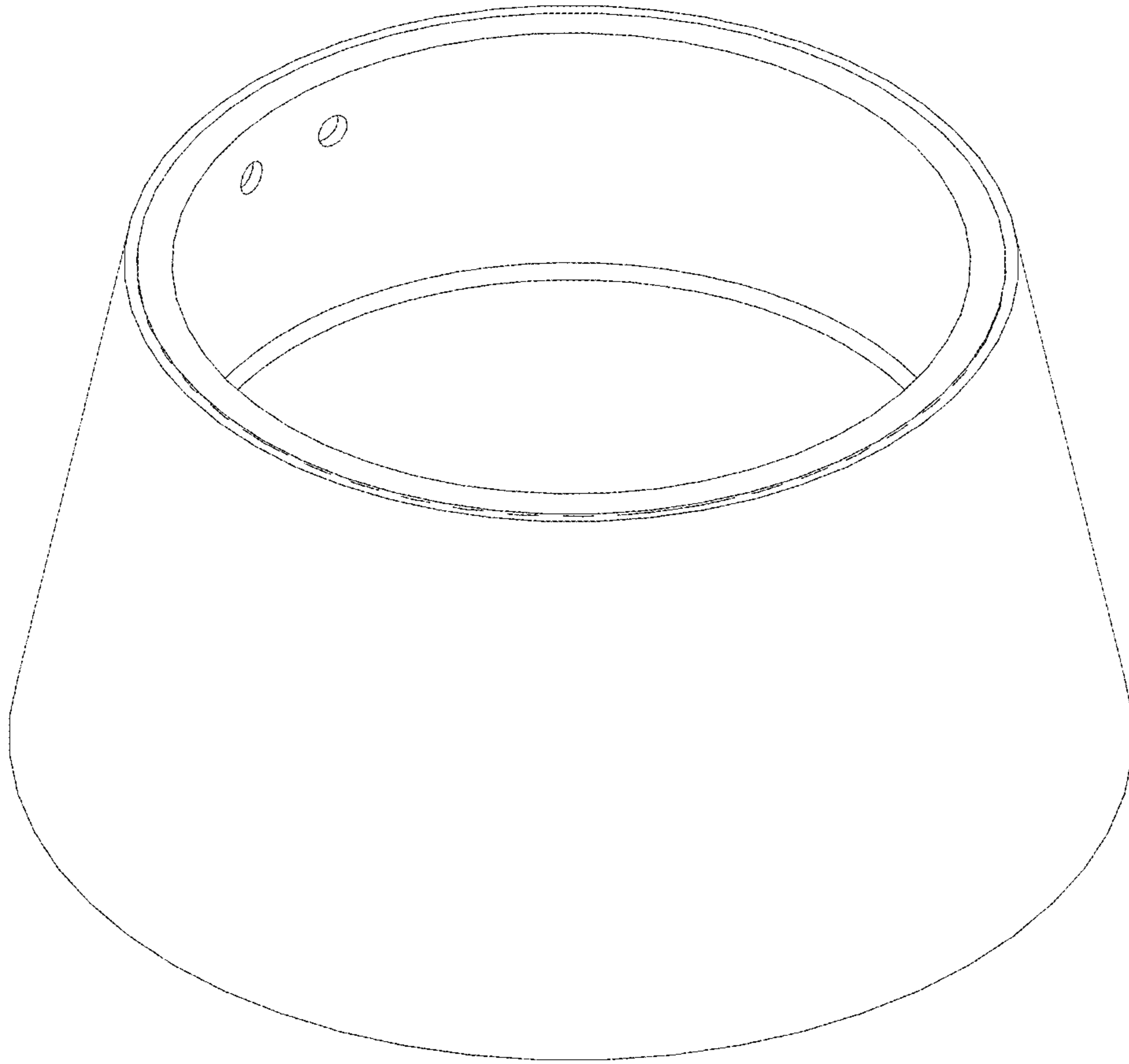


FIG. 29



FIG. 30

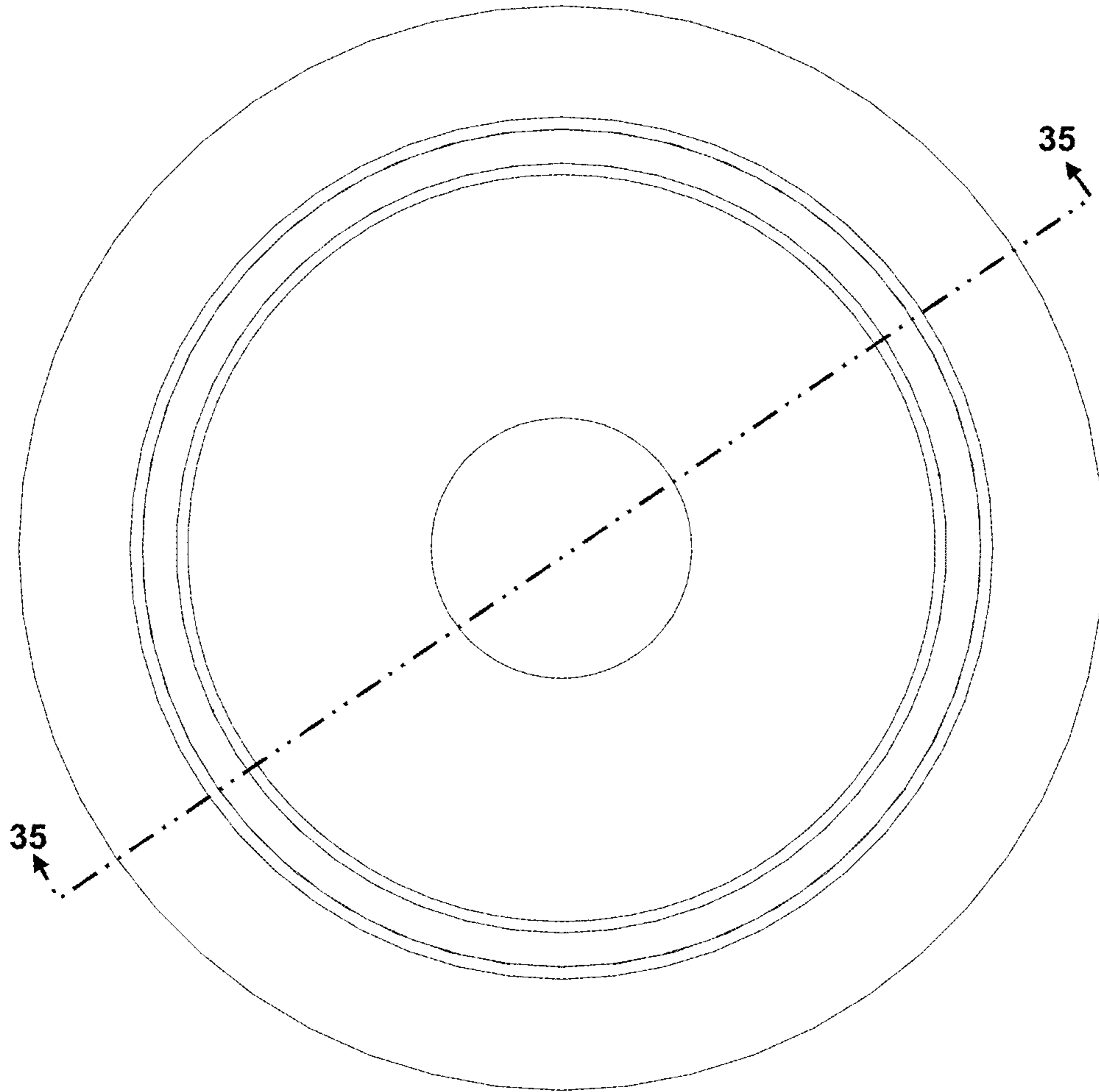


FIG. 31

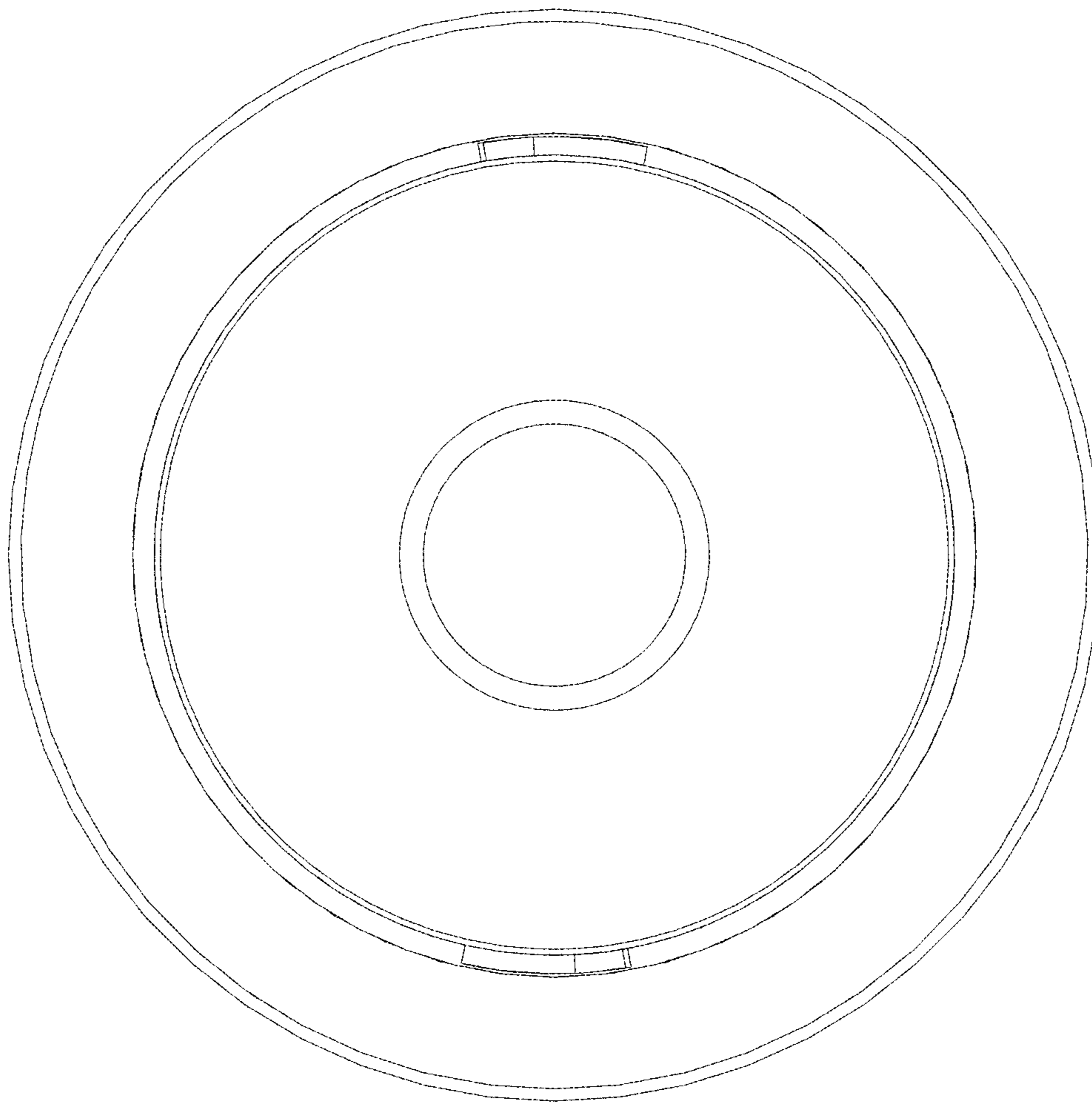


FIG. 32

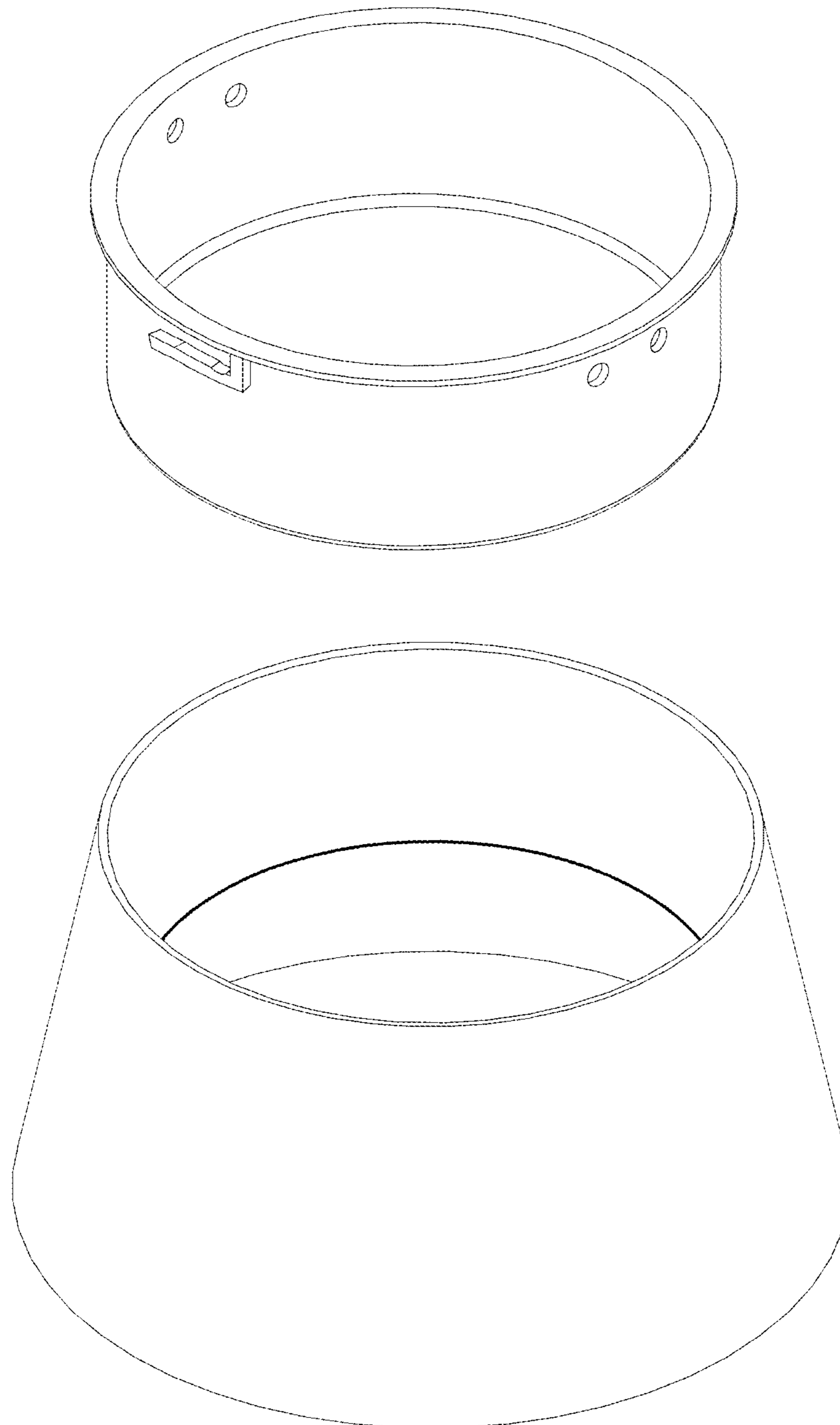


FIG. 33

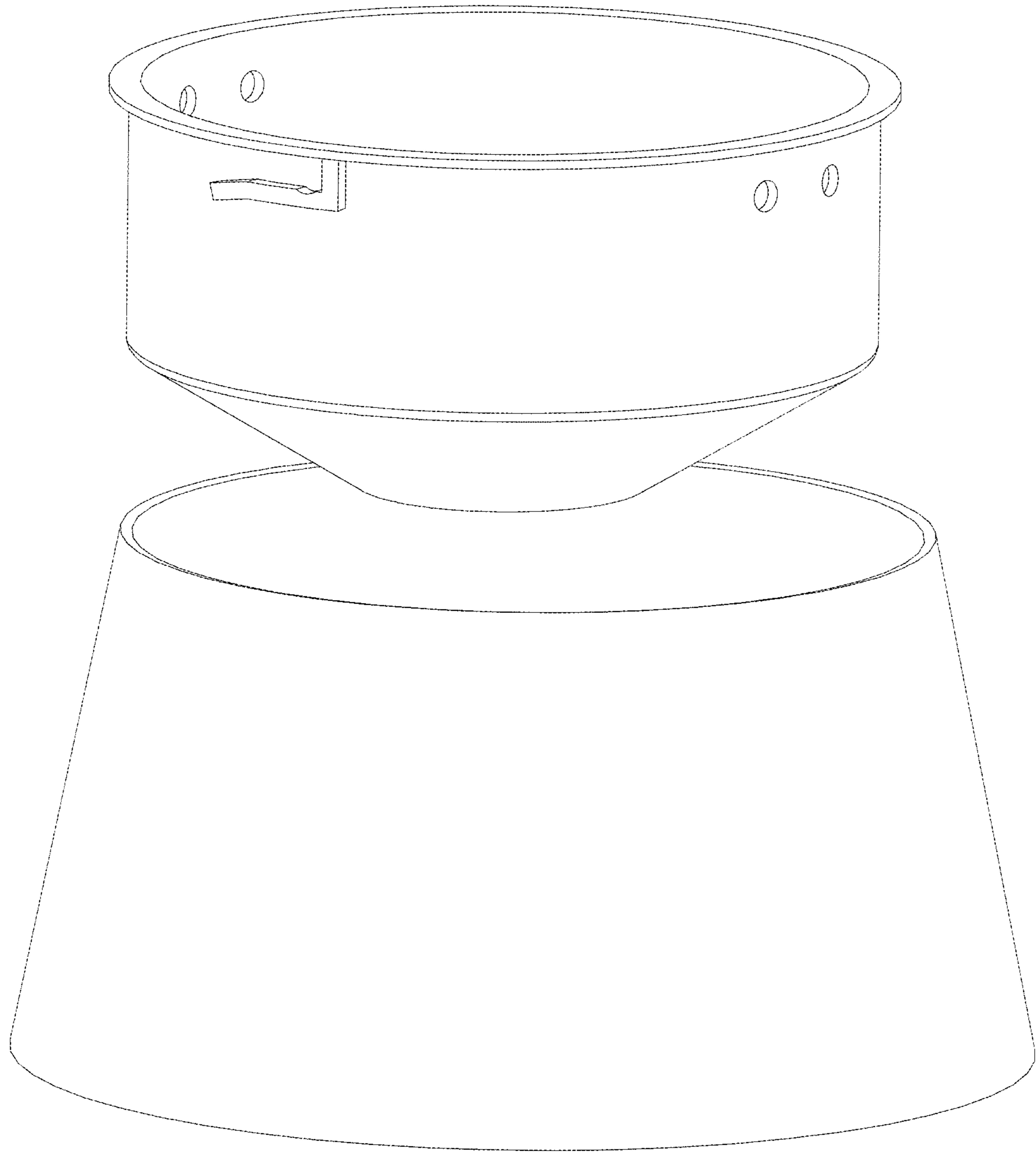


FIG. 34

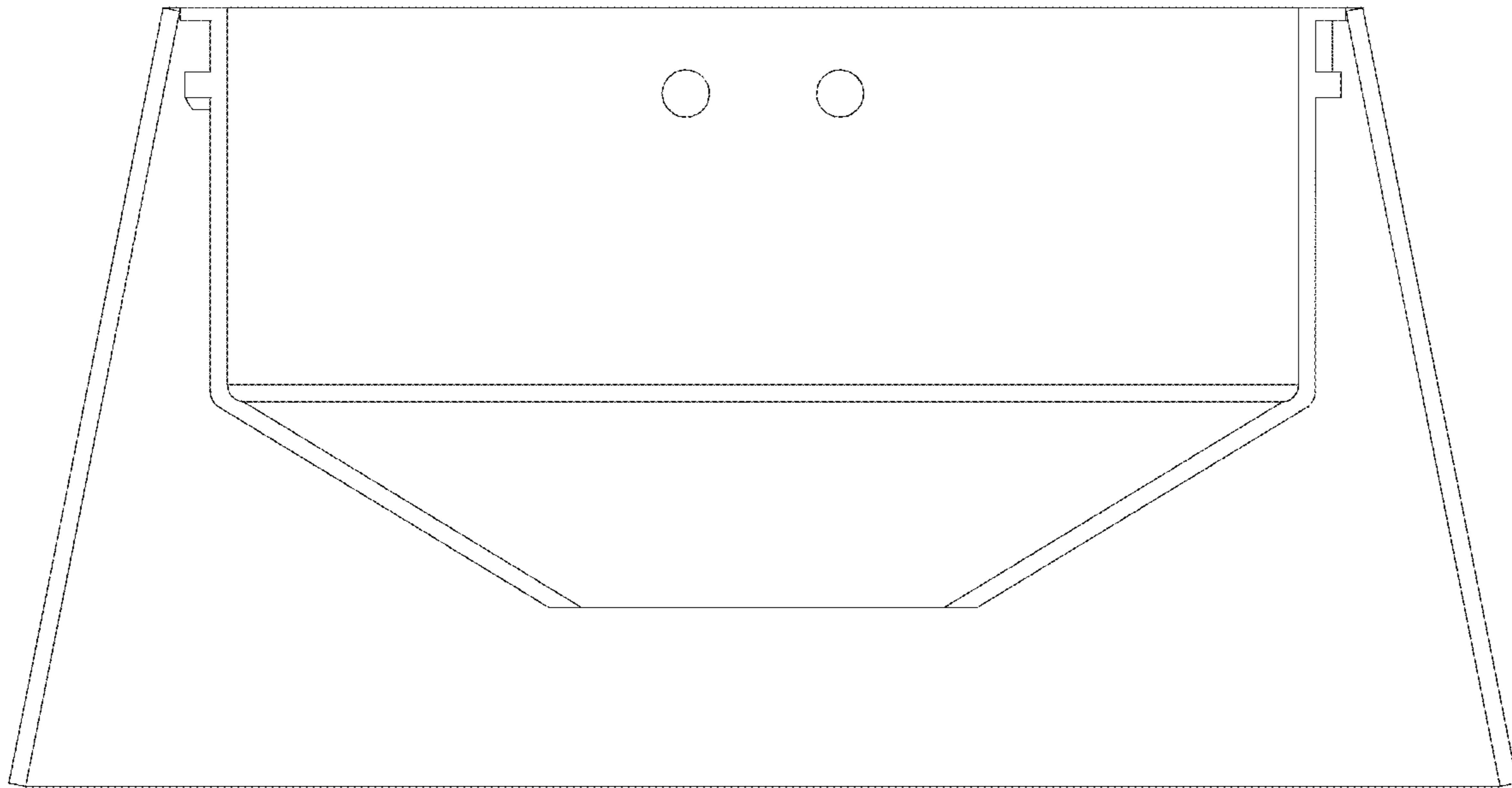


FIG. 35

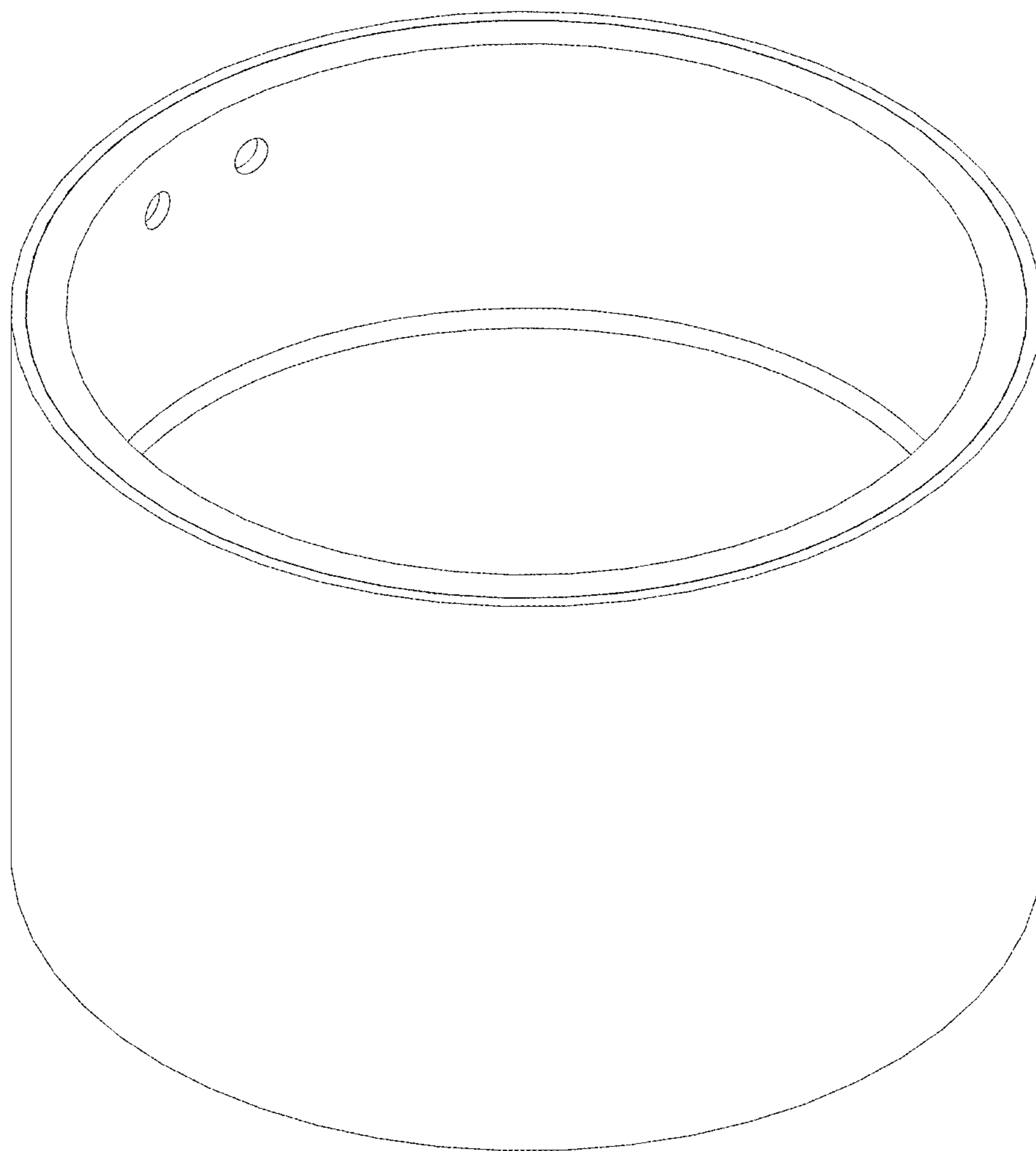


FIG. 36

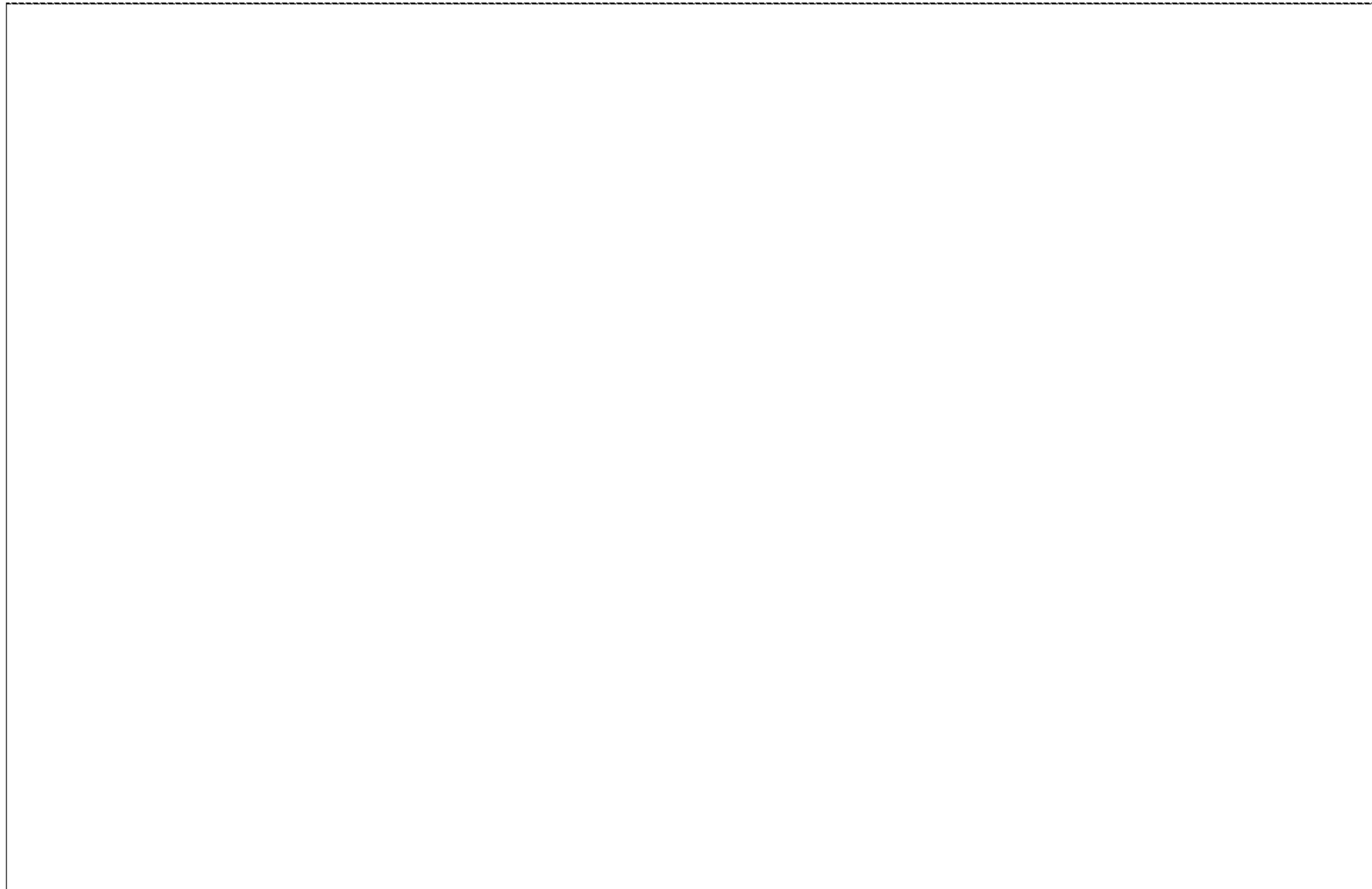


FIG. 37

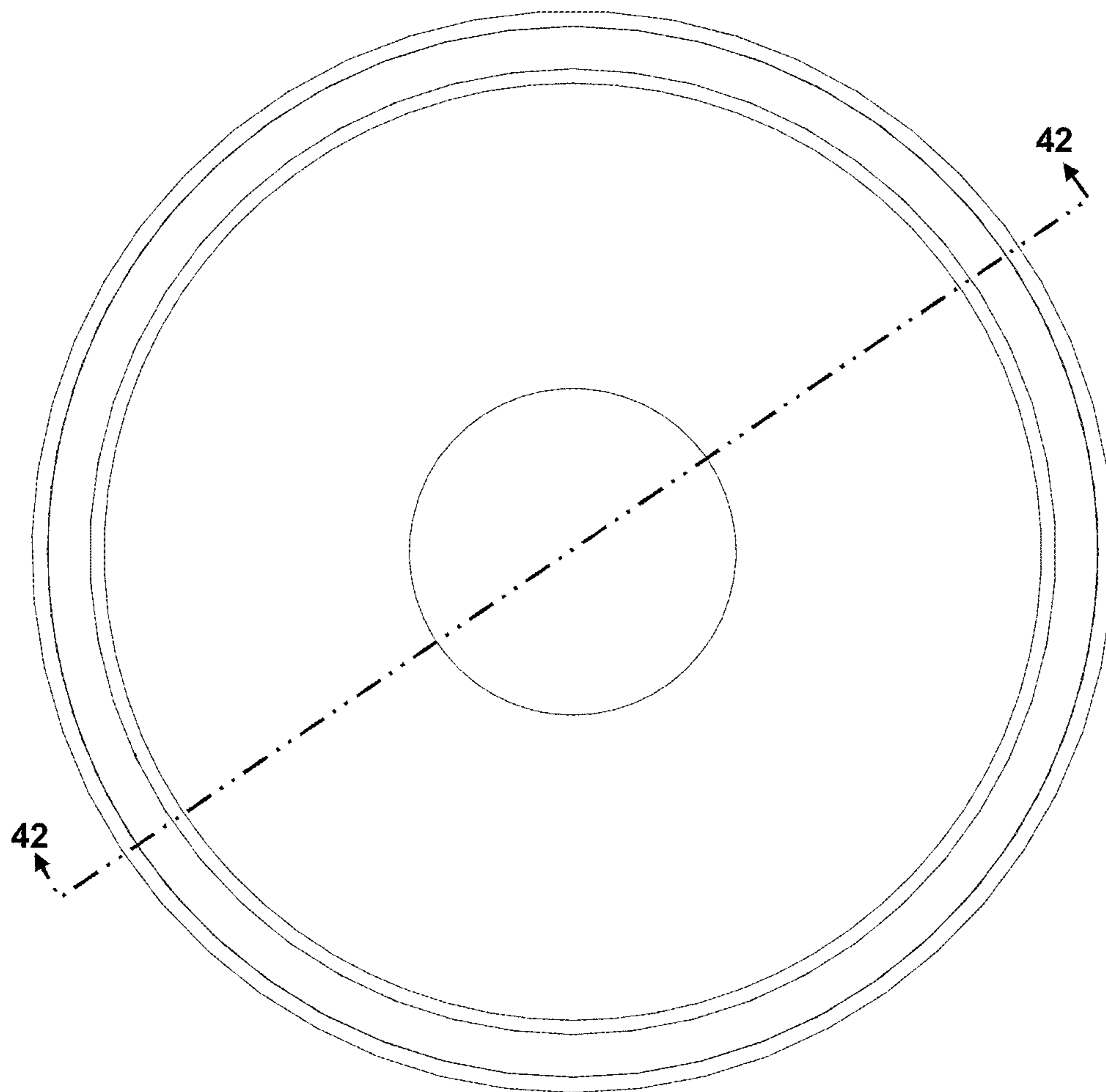


FIG. 38

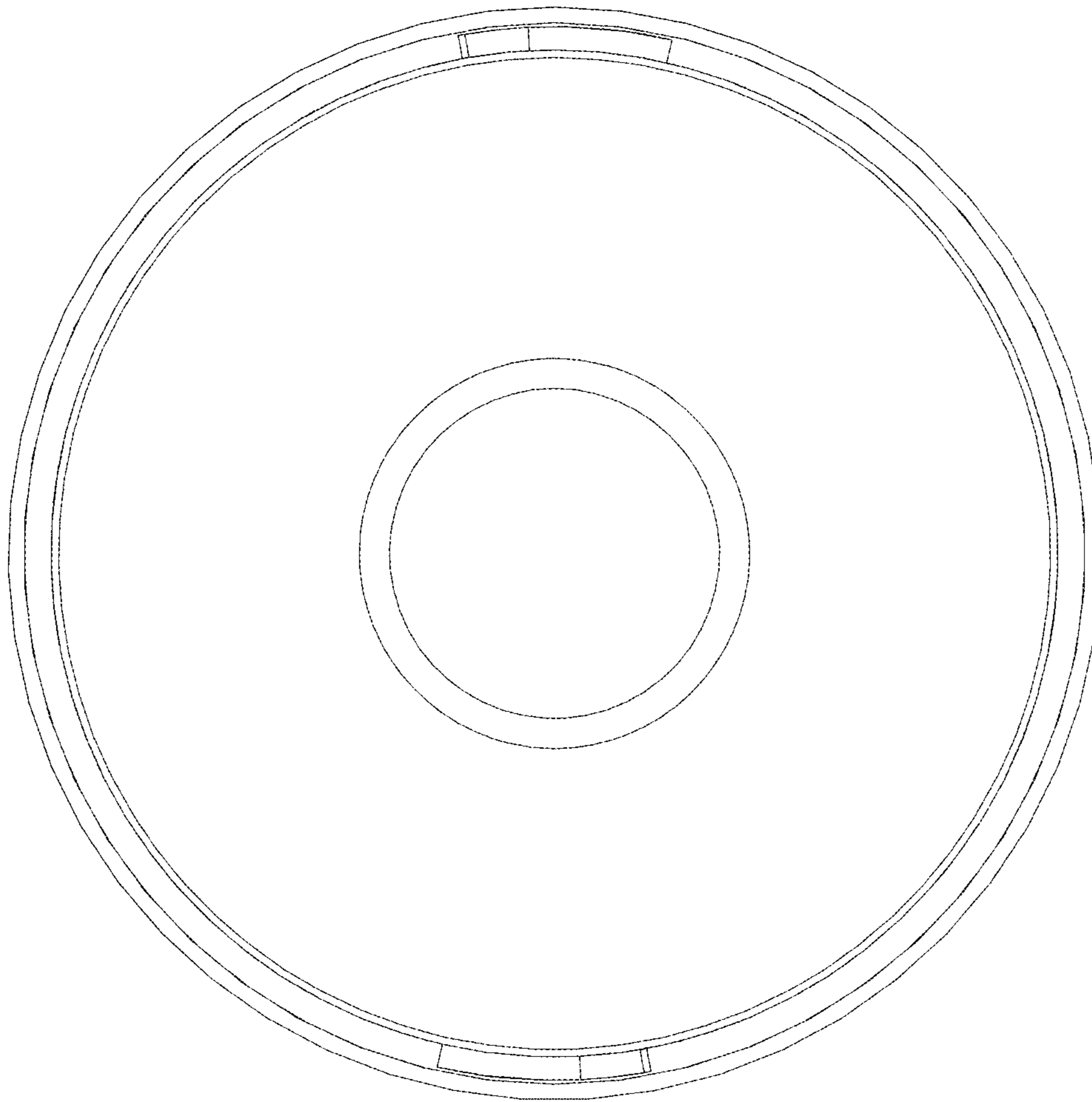


FIG. 39

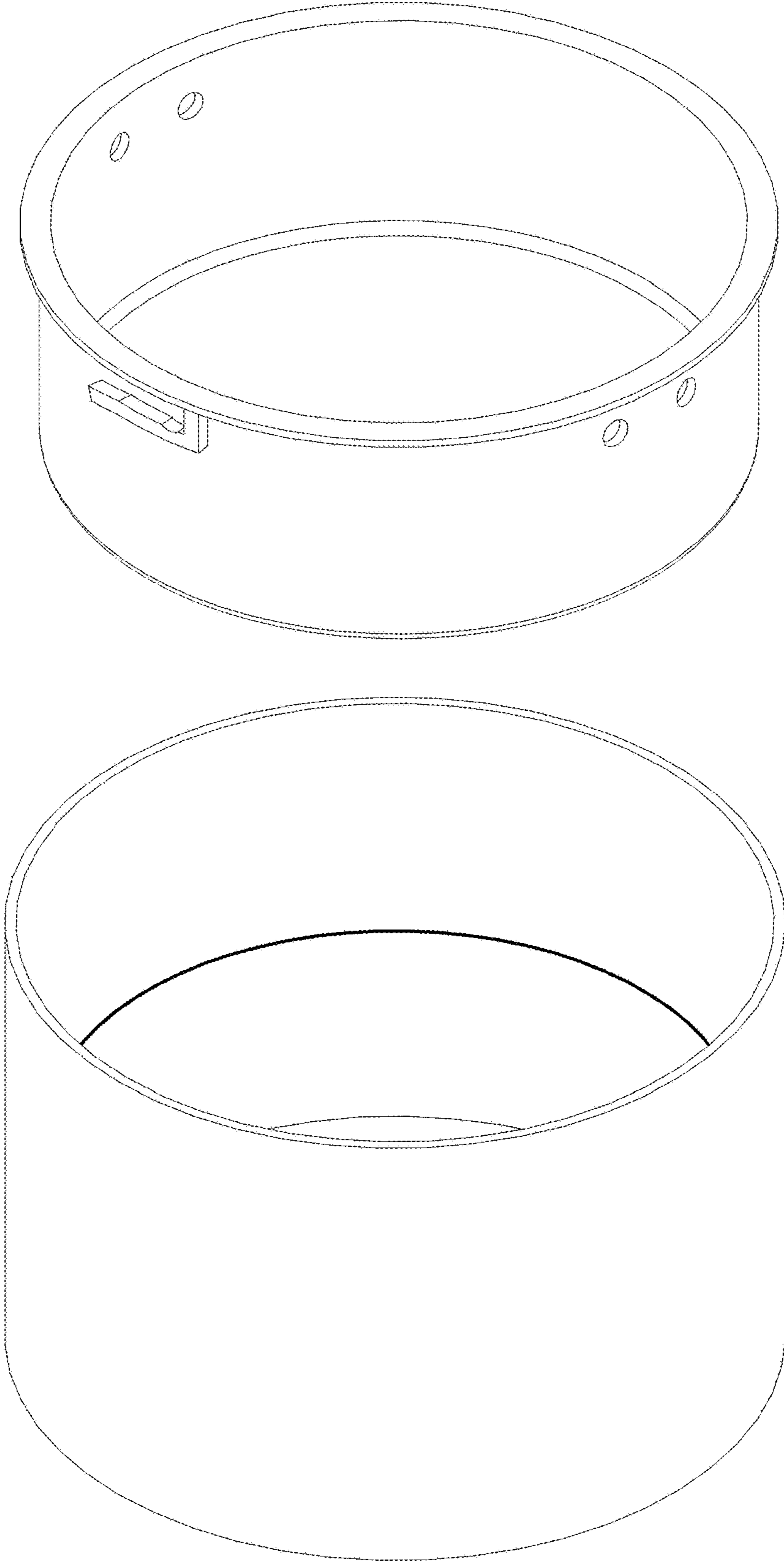


FIG. 40

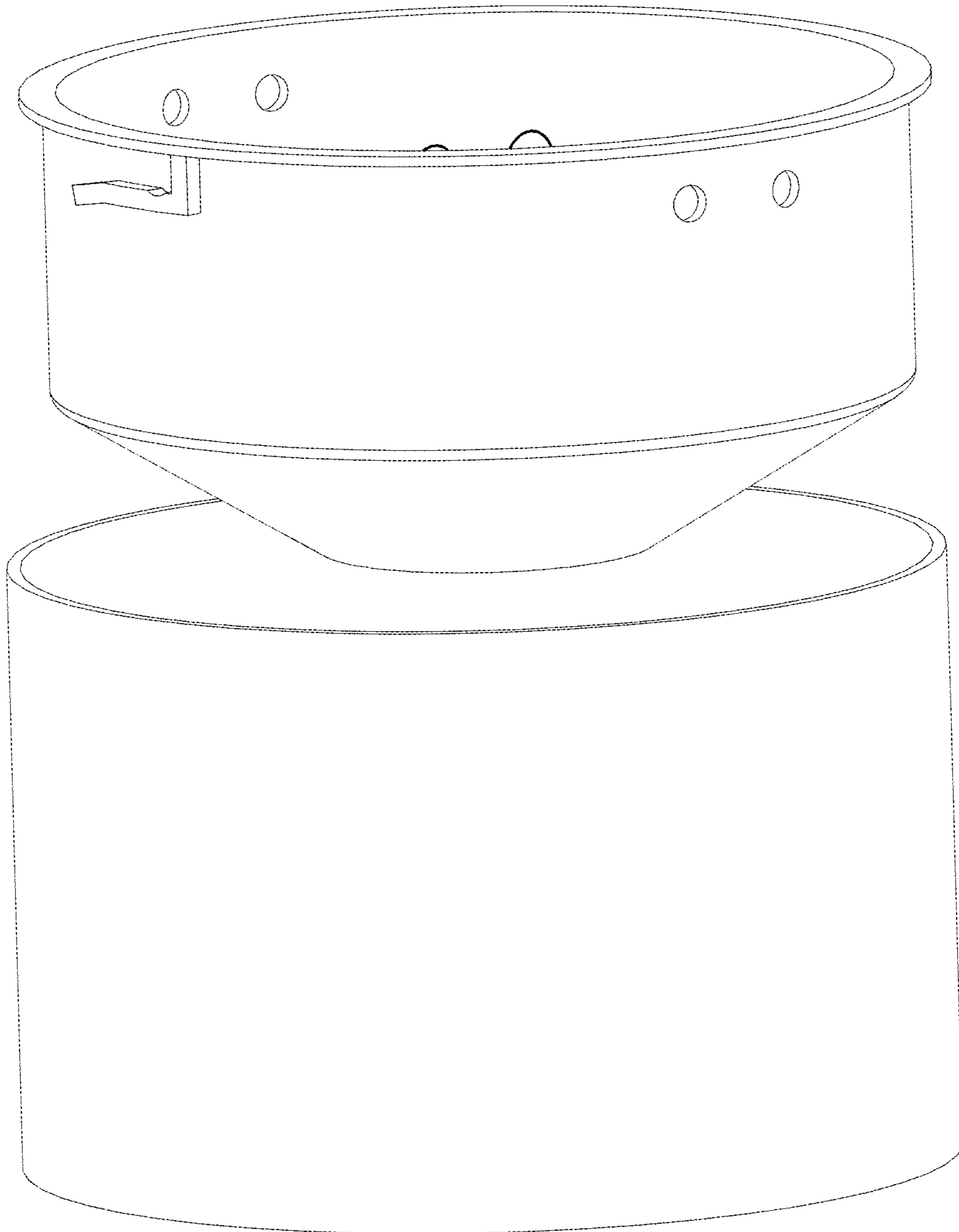


FIG. 41

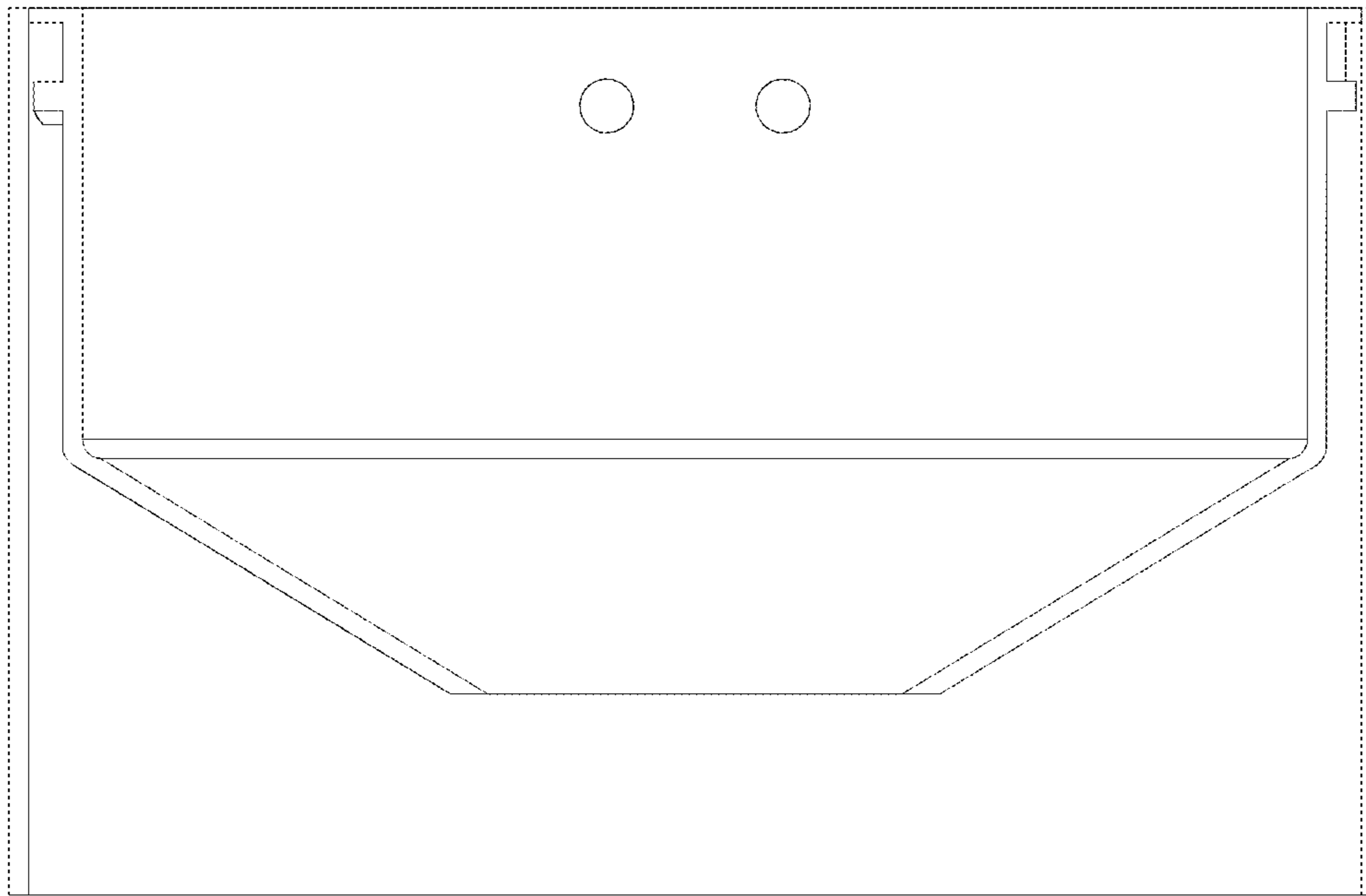


FIG. 42

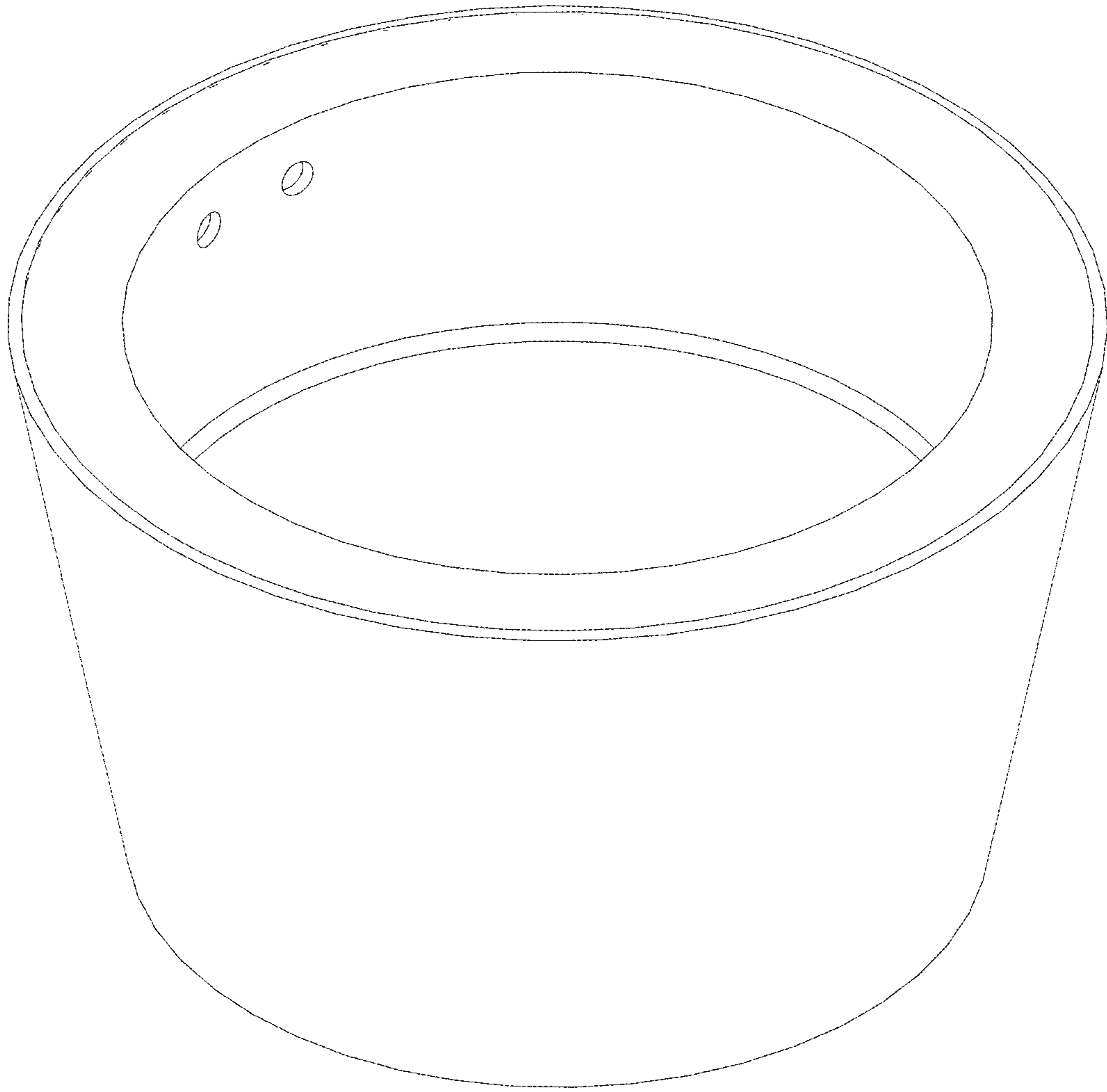


FIG. 43



FIG. 44

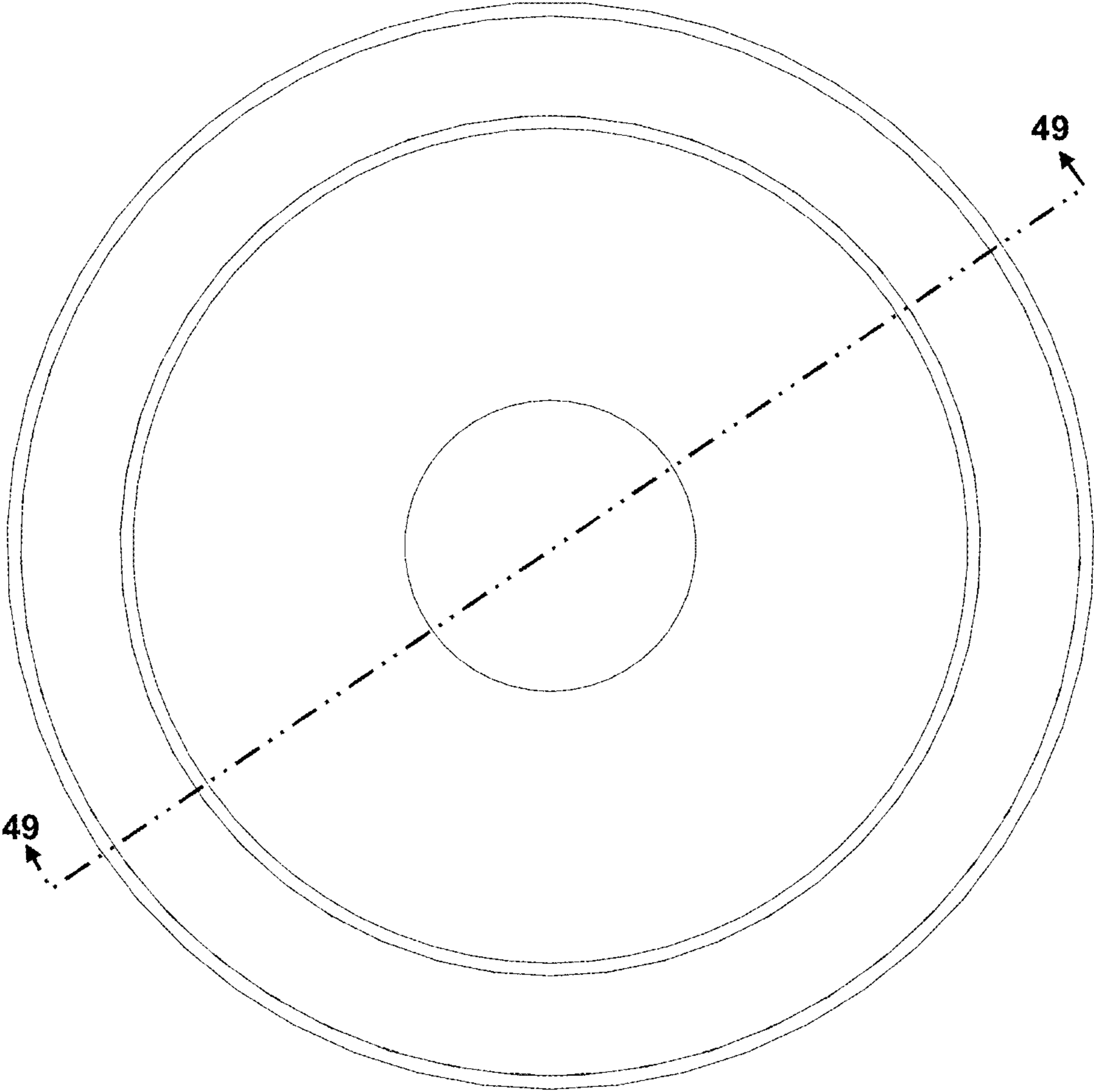


FIG. 45

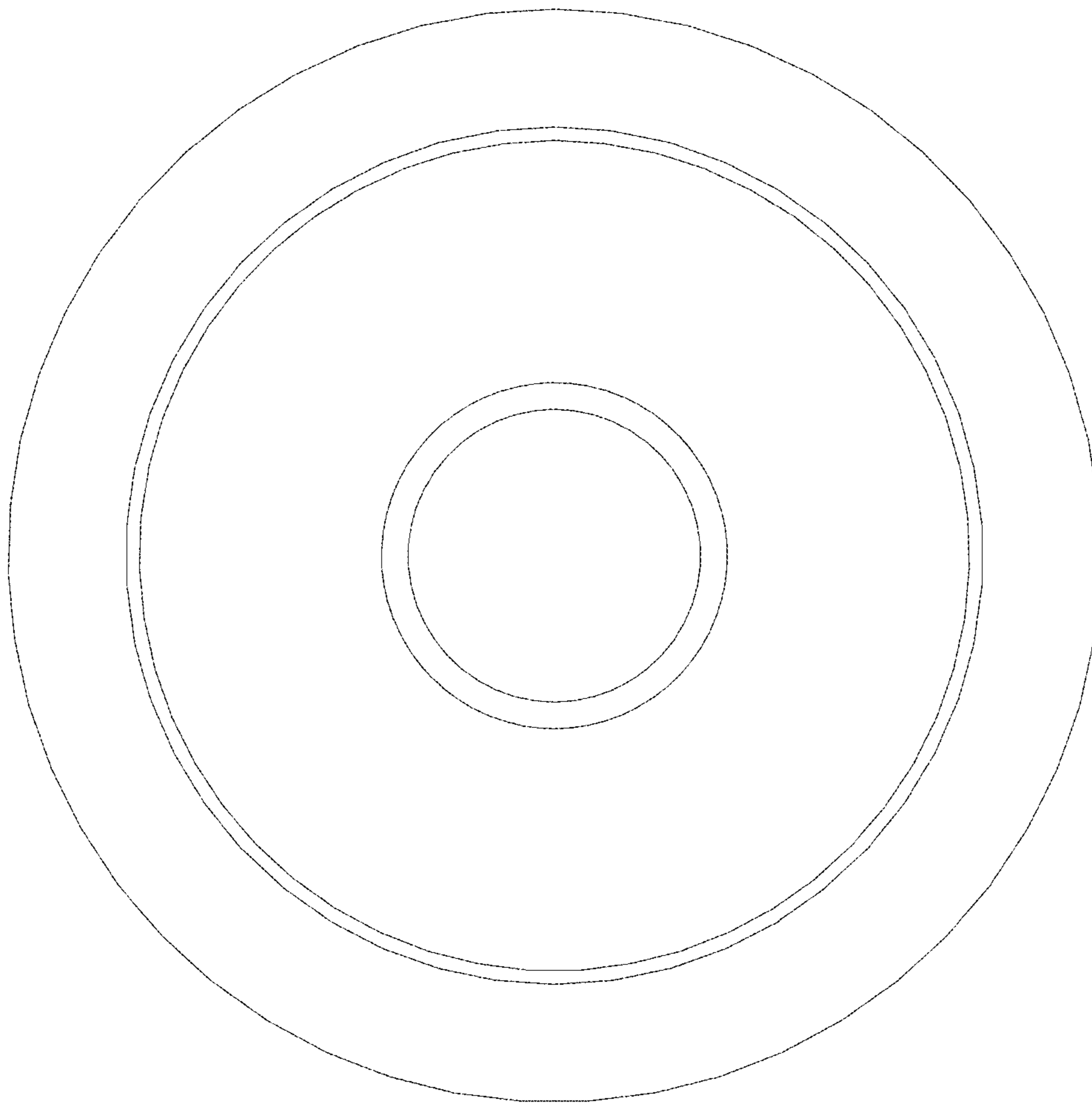


FIG. 46

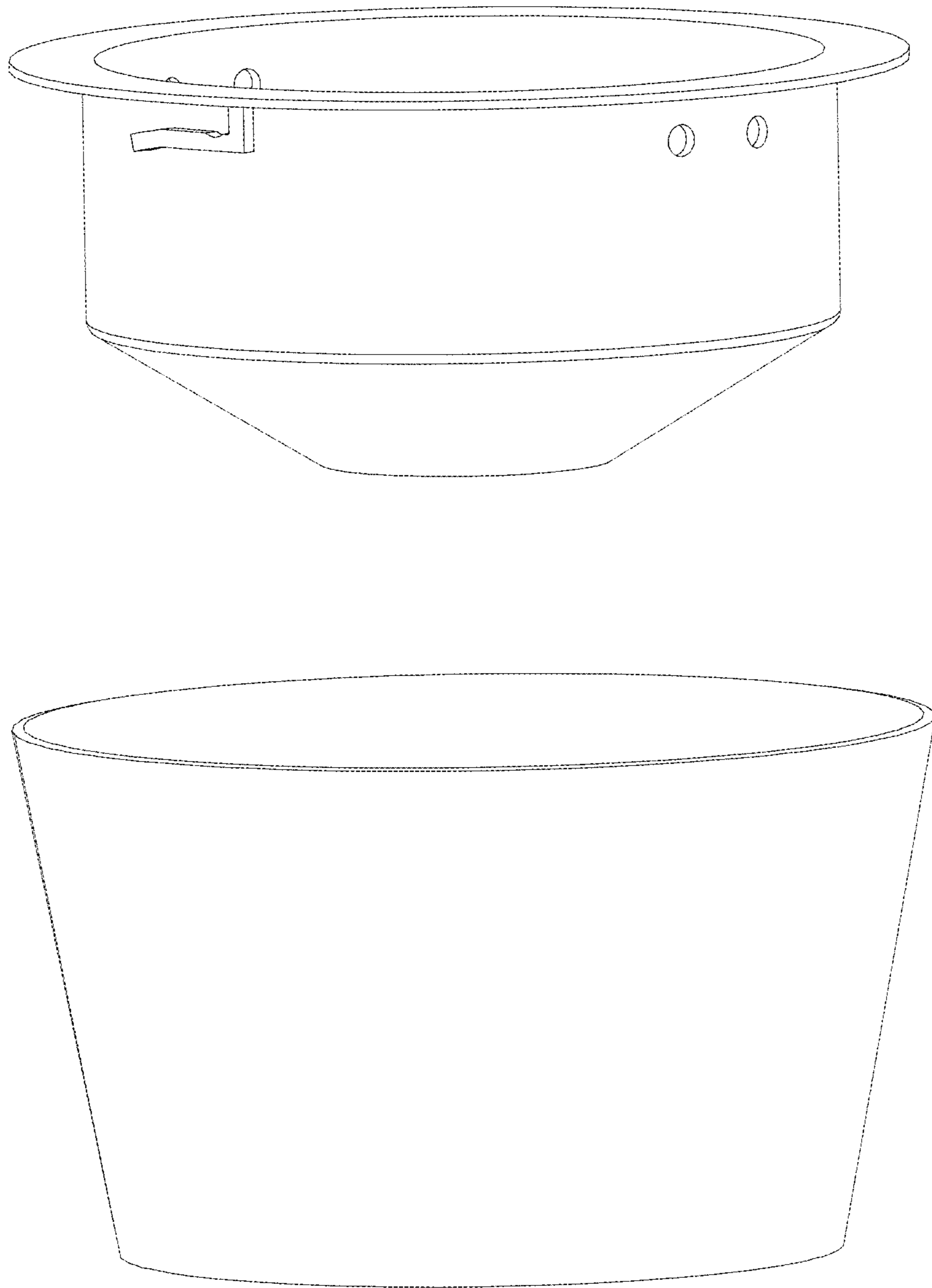


FIG. 47

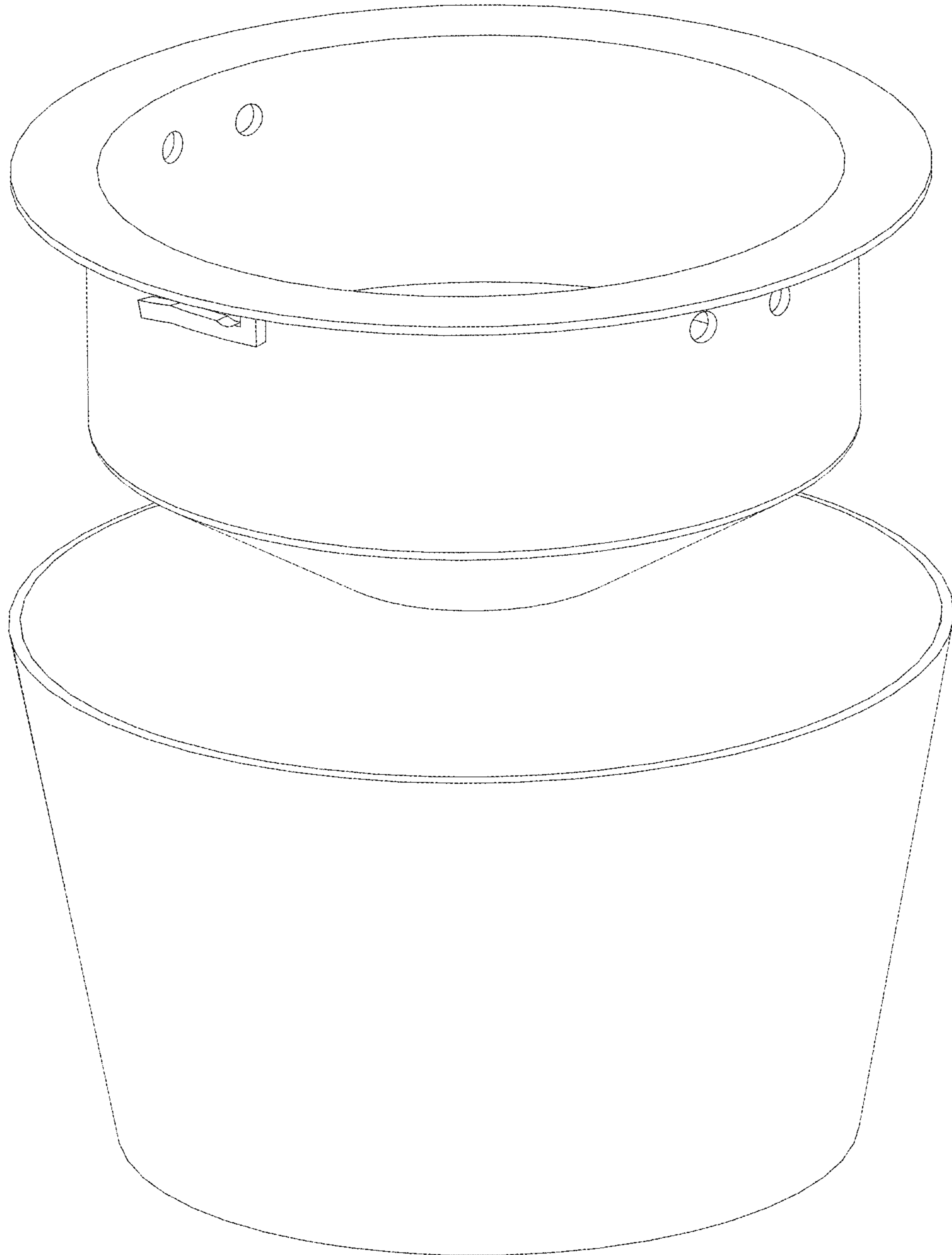


FIG. 48

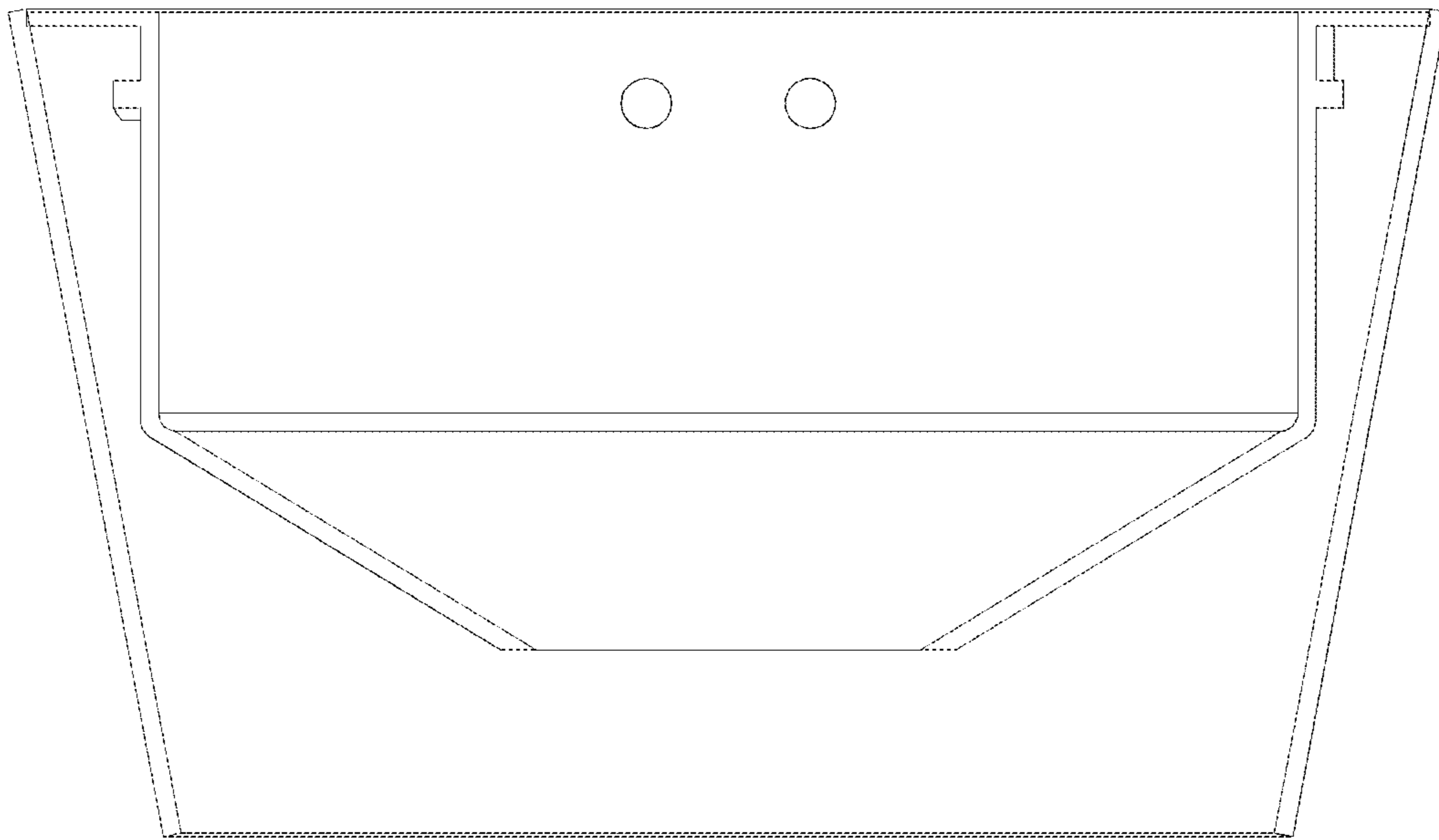


FIG. 49