



US00D914190S

(12) **United States Design Patent** (10) **Patent No.:** **US D914,190 S**
Oura (45) **Date of Patent:** **** Mar. 23, 2021**

(54) **DEODORIZING MACHINE**

(56) **References Cited**

(71) Applicant: **SUNSTAR ENGINEERING INC.**,
Takatsuki (JP)

U.S. PATENT DOCUMENTS

(72) Inventor: **Issei Oura**, Osaka (JP)

D701,286 S *	3/2014	Sandvold	D23/202
D726,869 S *	4/2015	Lepine	D23/209
D792,553 S *	7/2017	Hierro	D23/209
D826,388 S *	8/2018	Yeung	D23/356
D832,414 S *	10/2018	Sharma	D23/364
D834,694 S *	11/2018	Walter	D23/366
D836,189 S *	12/2018	Jakins	D23/366
D845,456 S *	4/2019	Swanson	D23/359
D871,844 S *	1/2020	Adams, Jr.	D7/510
2018/0161471 A1 *	6/2018	Davis	H04W 4/80

(73) Assignee: **SUNSTAR ENGINEERING INC.**,
Takatsuki (JP)

(**) Term: **15 Years**

* cited by examiner

(21) Appl. No.: **29/744,282**

(22) Filed: **Jul. 28, 2020**

Primary Examiner — John A Voytek

(74) *Attorney, Agent, or Firm* — Westerman, Hattori,
Daniels & Adrian, LLP

Related U.S. Application Data

(62) Division of application No. 29/694,328, filed on Jun.
10, 2019.

(57) **CLAIM**

The ornamental design for a deodorizing machine, as shown
and described.

(30) **Foreign Application Priority Data**

Dec. 10, 2018 (JP) 2018-026854
Dec. 10, 2018 (JP) 2018-026855

DESCRIPTION

(51) **LOC (13) Cl.** **28-99**

(52) **U.S. Cl.**
USPC **D23/366**

(58) **Field of Classification Search**

USPC D23/209, 355, 356, 358, 359, 360, 364,
D23/365, 366, 367; D7/300, 312, 317;
D9/504, 519, 529, 686; D11/131.1;
D28/89; D99/5

CPC . A61L 9/03; A61L 9/012; A61L 9/015; A61L
9/037; F41J 1/01

See application file for complete search history.

FIG. 1 is a perspective view of a deodorizing machine,
showing my new design.

FIG. 2 is a front elevational view thereof.

FIG. 3 is a rear elevational view thereof.

FIG. 4 is a right side elevational view thereof.

FIG. 5 is a left side elevational view thereof.

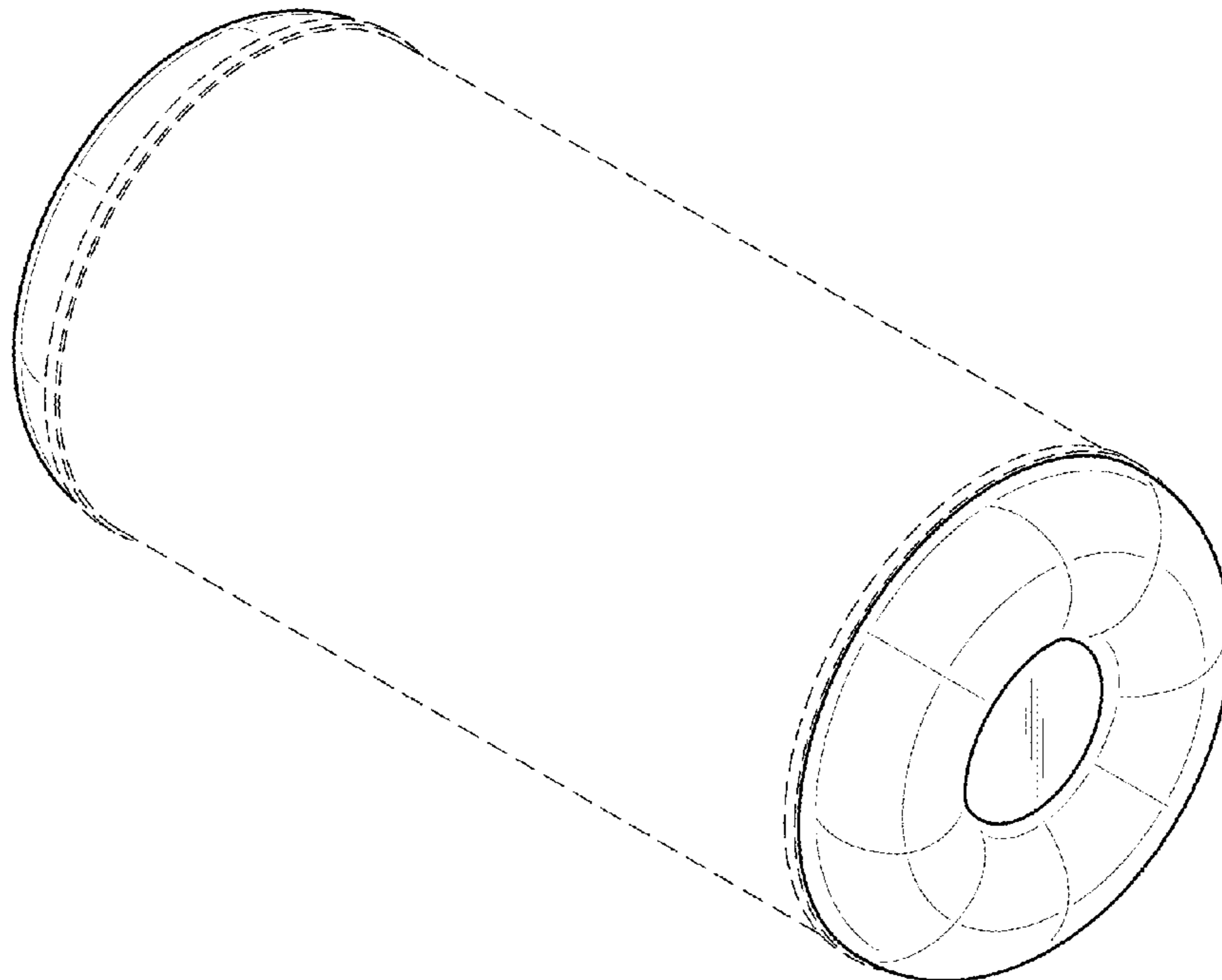
FIG. 6 is a top plan view thereof.

FIG. 7 is a bottom plan view thereof; and,

FIG. 8 is a cross-sectional view, taken along line 8-8 of FIG.
4.

The broken line portions of the design are included to show
unclaimed portions and form no part of the claimed design.

1 Claim, 8 Drawing Sheets



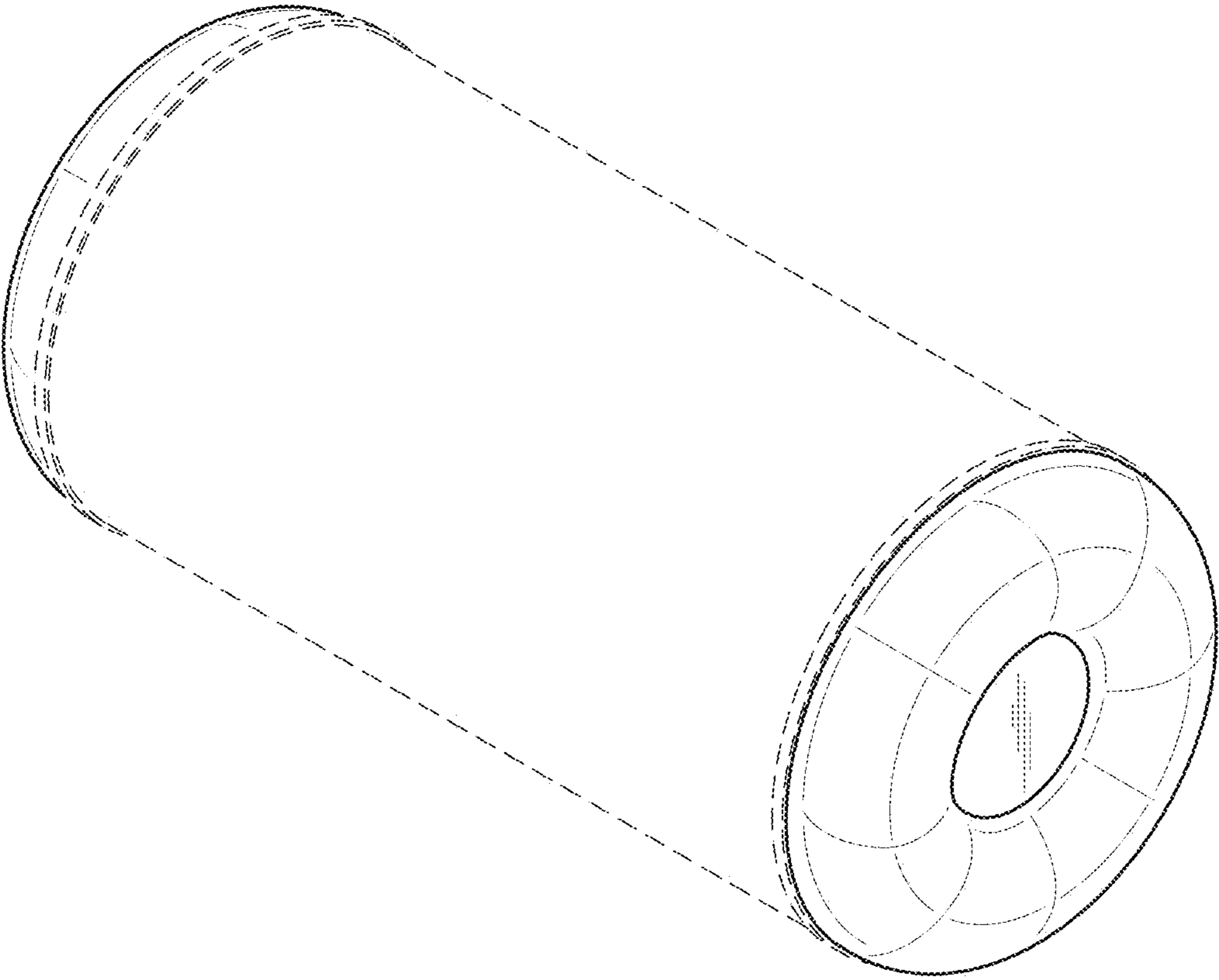


FIG. 1

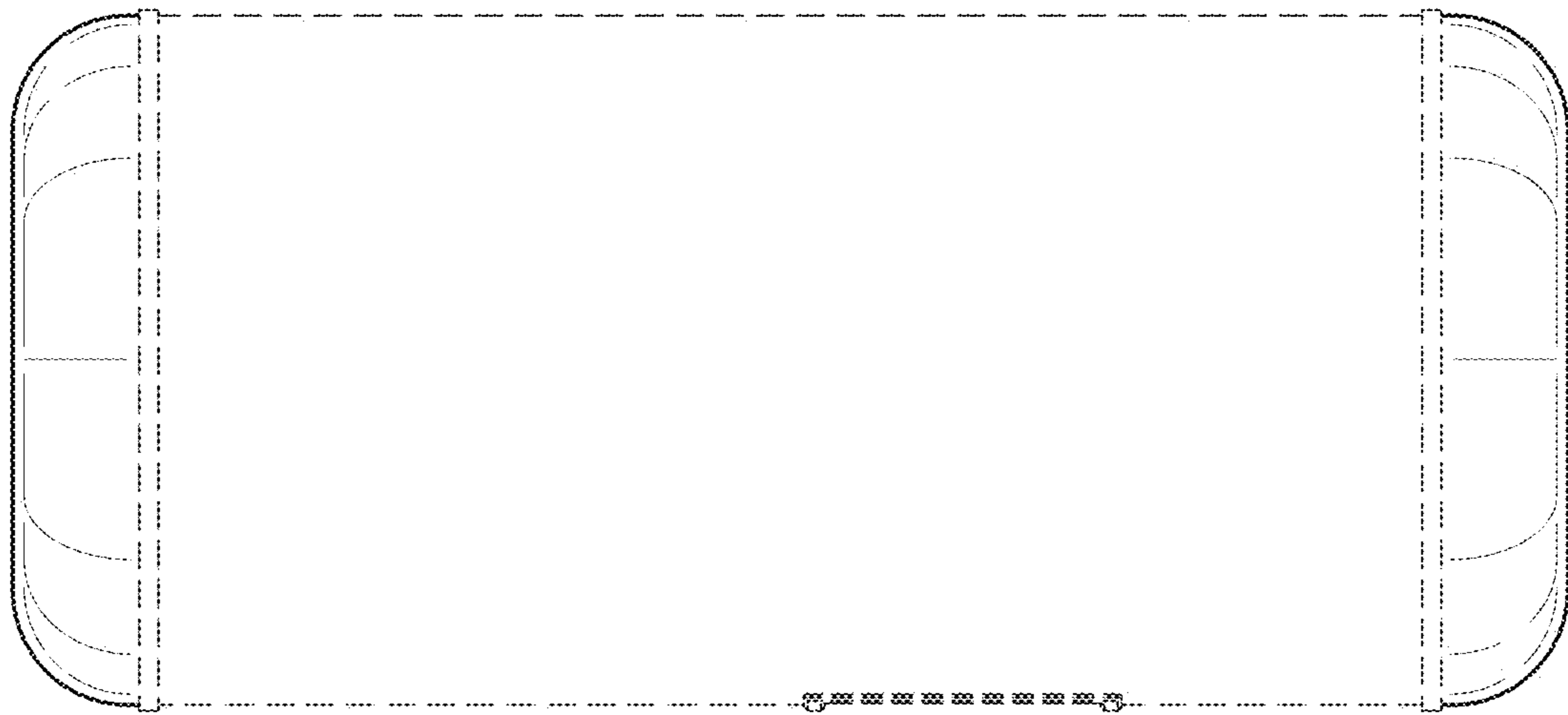


FIG. 2

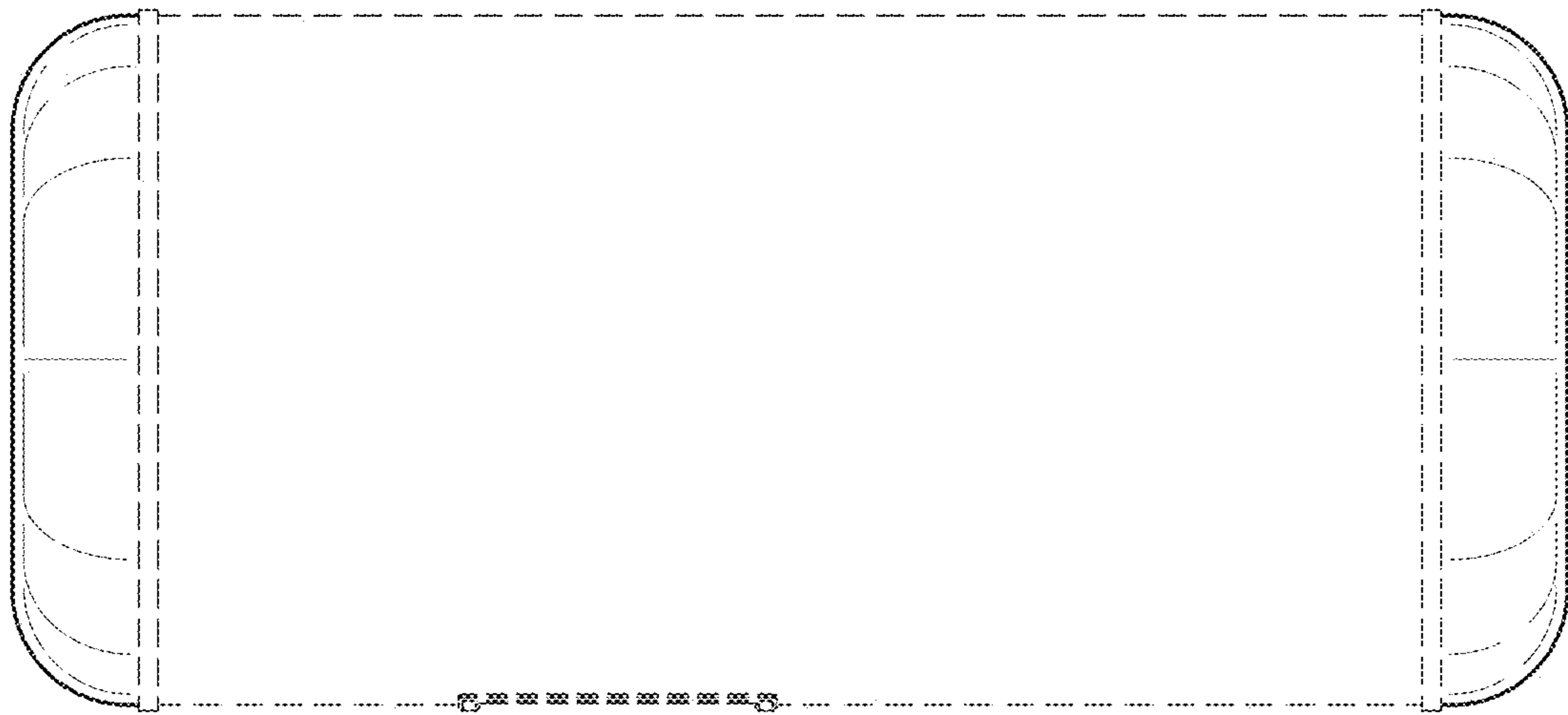


FIG. 3

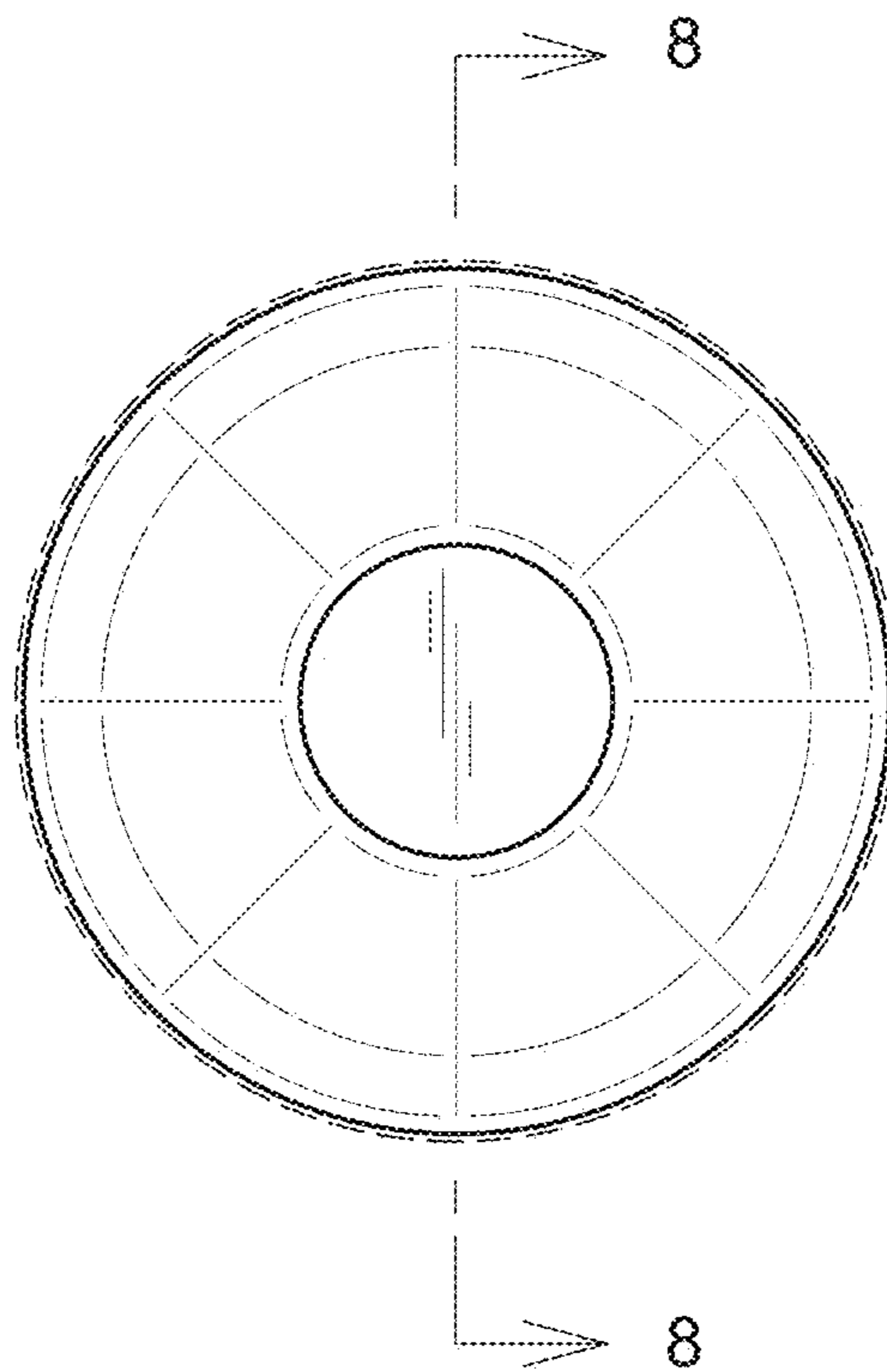


FIG. 4

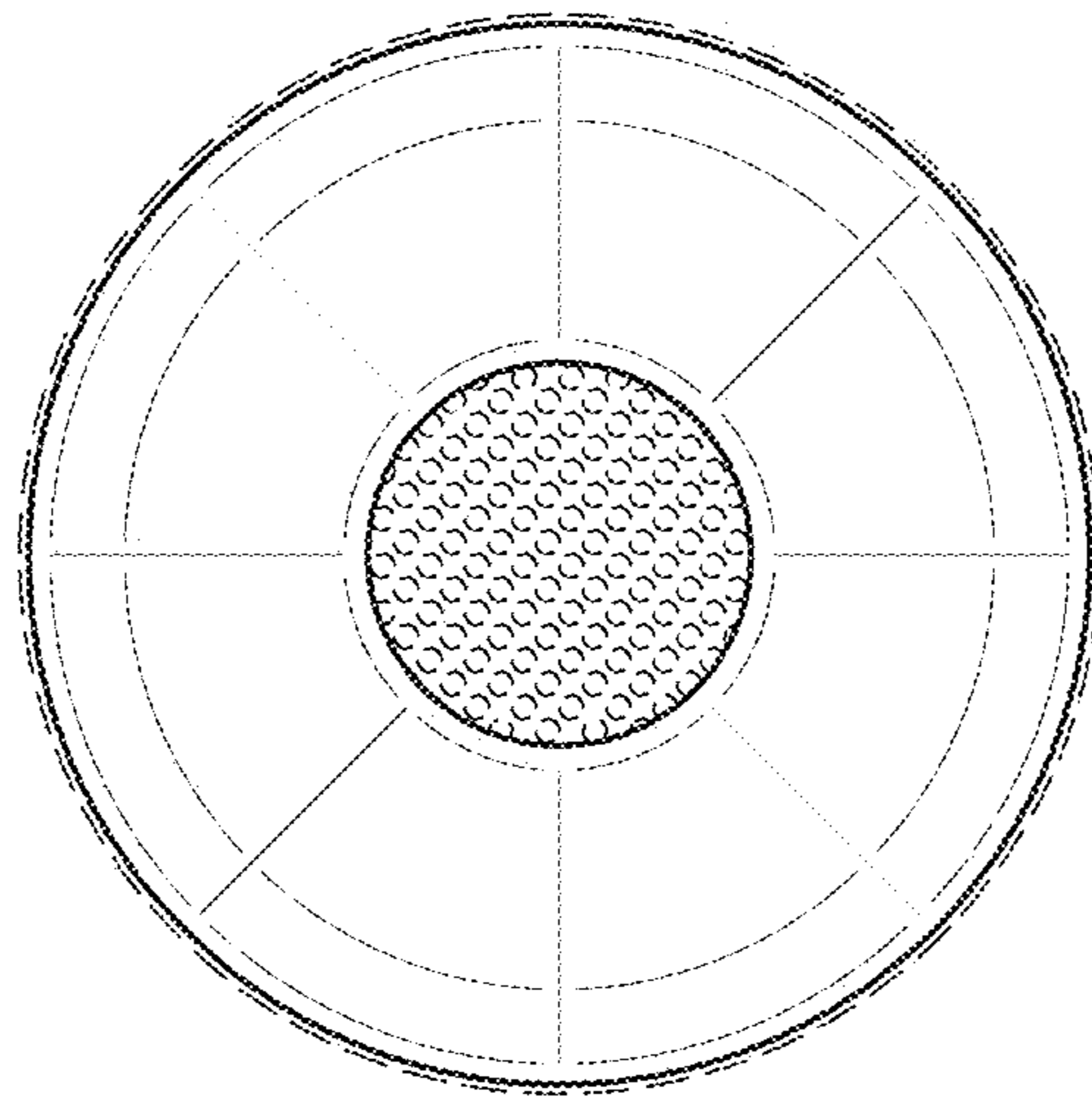


FIG. 5



FIG. 6

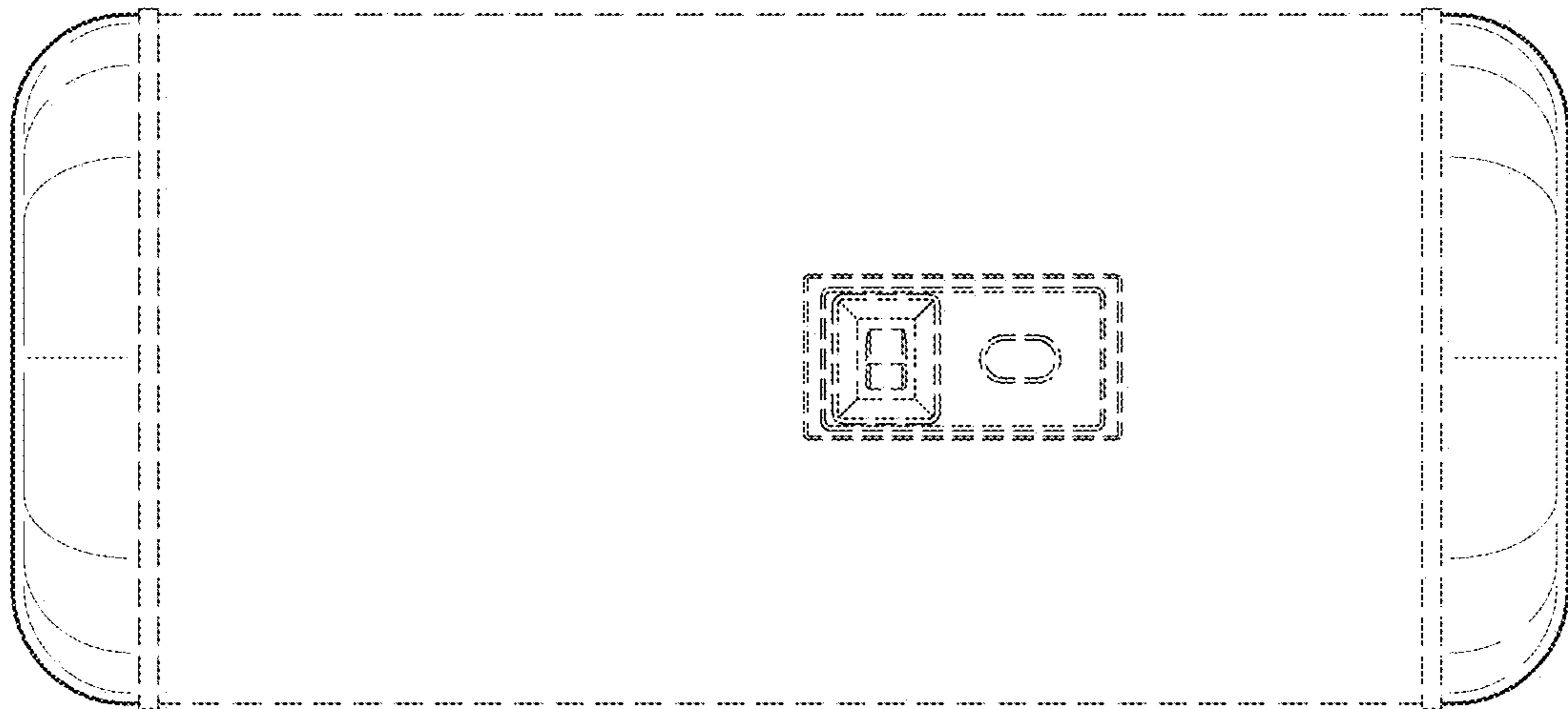


FIG. 7

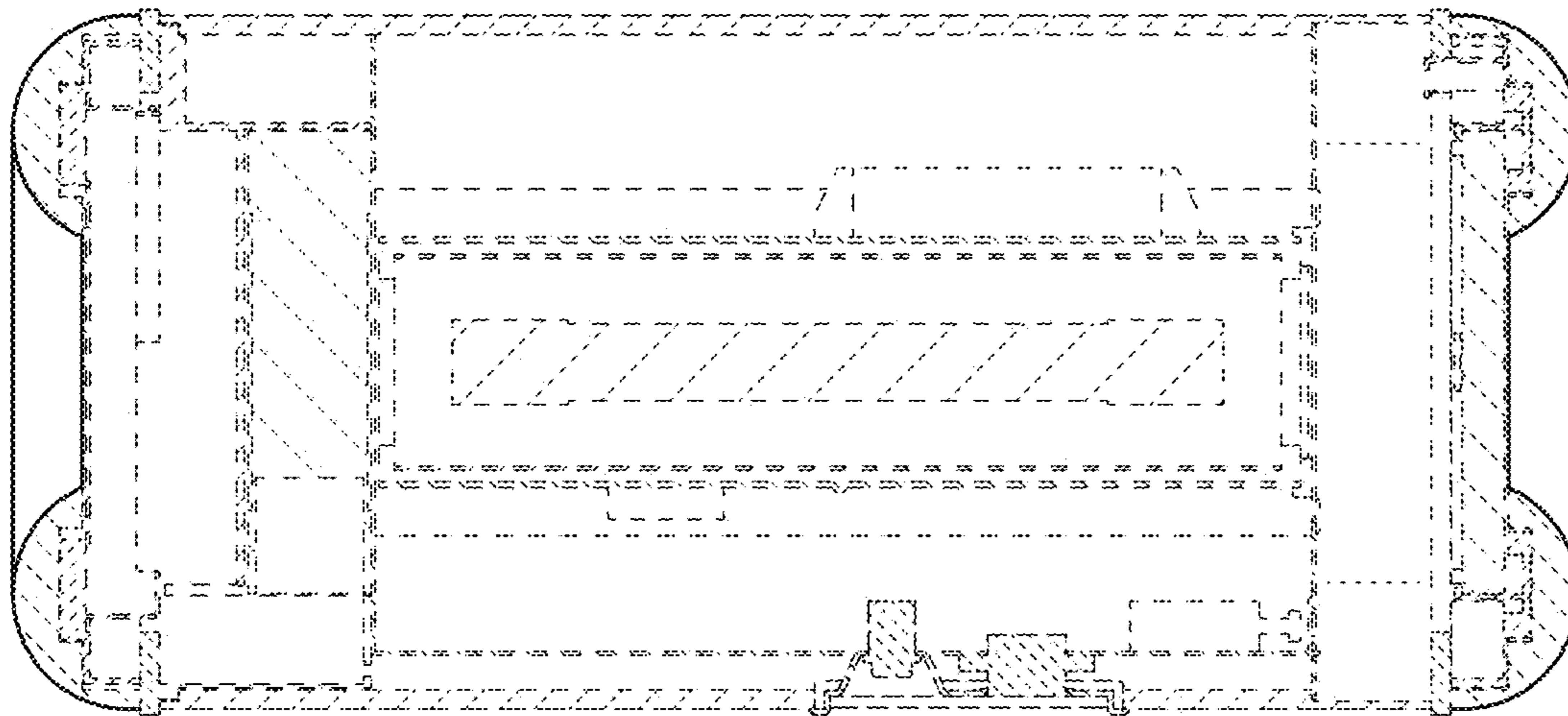


FIG. 8