



US00D914189S

(12) **United States Design Patent** (10) **Patent No.:** **US D914,189 S**  
**Ye** (45) **Date of Patent:** **\*\* Mar. 23, 2021**

(54) **AROMATHERAPY DIFFUSER**

(71) Applicant: **Foshan Nanhai Keri Electronic Co., Ltd, Guangdong (CN)**

(72) Inventor: **Weizhong Ye, Guangdong (CN)**

(73) Assignee: **Foshan Nanhai Keri Electronic Co., Ltd, Guangdong (CN)**

(\*\*) Term: **15 Years**

(21) Appl. No.: **29/699,022**

(22) Filed: **Jul. 23, 2019**

(51) **LOC (13) Cl.** ..... **23-04**

(52) **U.S. Cl.**  
USPC ..... **D23/366**

(58) **Field of Classification Search**  
USPC ..... D23/209, 355, 356, 358, 359, 360, 364, D23/365, 366; D7/316, 505; D9/435, D9/444, 504, 519, 529, 686; D11/131.1; D28/89; D99/5  
CPC . A61L 9/03; A61L 9/012; A61L 9/015; A61L 9/037; F41J 1/01  
See application file for complete search history.

(56) **References Cited**

**U.S. PATENT DOCUMENTS**

D217,154 S *	4/1970	Boldt	.....	D14/212
D218,614 S *	9/1970	Yurdin	.....	D14/212
D223,255 S *	4/1972	Boldt	.....	D14/212
D277,853 S *	3/1985	Thomas	.....	D14/212
D513,479 S *	1/2006	Behrens	.....	D11/144
D581,035 S *	11/2008	Conway	.....	D23/366
D635,653 S *	4/2011	Conway	.....	D23/355
D806,843 S *	1/2018	McDonnell	.....	D23/355
D861,848 S *	10/2019	Lee	.....	D23/366

D863,525 S *	10/2019	Lee	.....	D23/366
D864,374 S *	10/2019	Lee	.....	D23/366
2011/0148329 A1 *	6/2011	Demarest	.....	A61L 9/127 315/313

\* cited by examiner

*Primary Examiner* — John A Voytek  
(74) *Attorney, Agent, or Firm* — JCIP Global Inc.

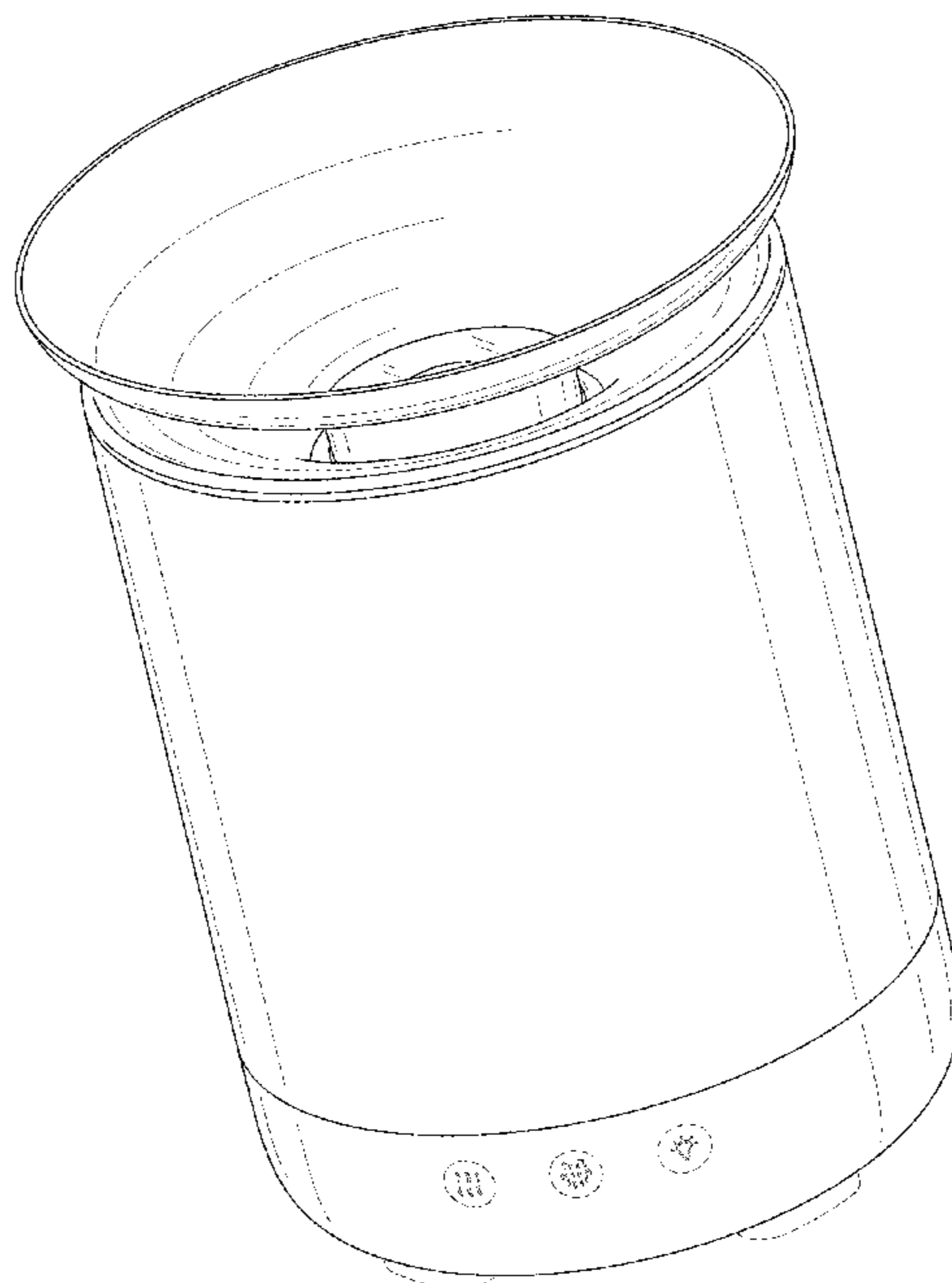
(57) **CLAIM**

The ornamental design for an aromatherapy diffuser, as shown and described.

**DESCRIPTION**

FIG. 1 is a perspective view of a first embodiment of an aromatherapy diffuser showing my new design;  
FIG. 2 is a front view thereof;  
FIG. 3 is a rear view thereof;  
FIG. 4 is a left side view thereof;  
FIG. 5 is a right side view thereof;  
FIG. 6 is a top view thereof;  
FIG. 7 is a bottom view thereof;  
FIG. 8 is a sectional view which is omitted internal mechanism and is taken along line 8-8 of FIG. 2;  
FIG. 9 is a perspective view of a second embodiment of an aromatherapy diffuser showing my new design;  
FIG. 10 is a front view thereof;  
FIG. 11 is a rear view thereof;  
FIG. 12 is a left side view thereof;  
FIG. 13 is a right side view thereof;  
FIG. 14 is a top view thereof;  
FIG. 15 is a bottom view thereof; and,  
FIG. 16 is a sectional view which is omitted internal mechanism and is taken along line 16-16 of FIG. 10.  
The broken lines in FIGS. 1-16 depict portions of the aromatherapy diffuser that form no part of the claimed design.

**1 Claim, 16 Drawing Sheets**



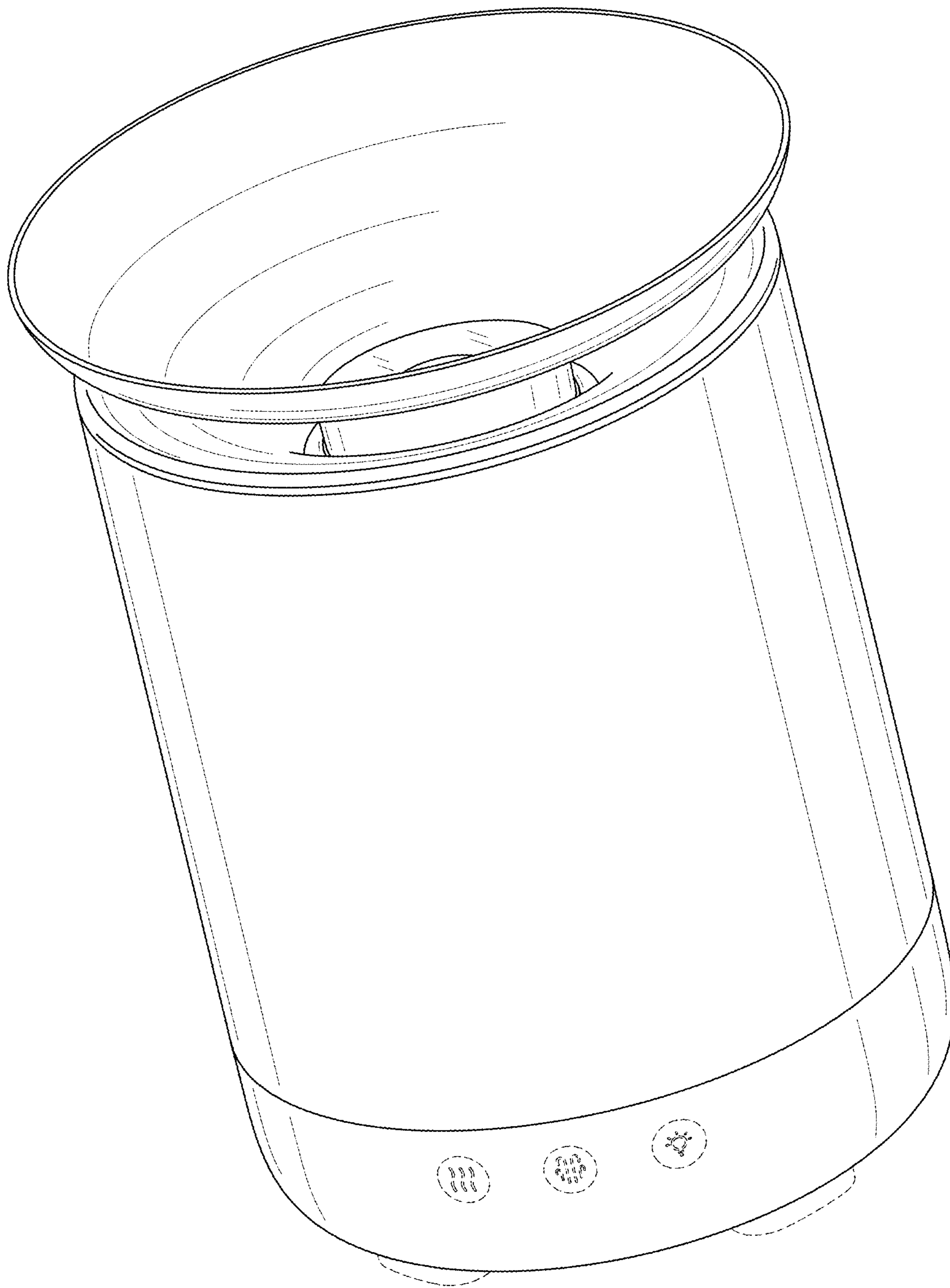


FIG. 1

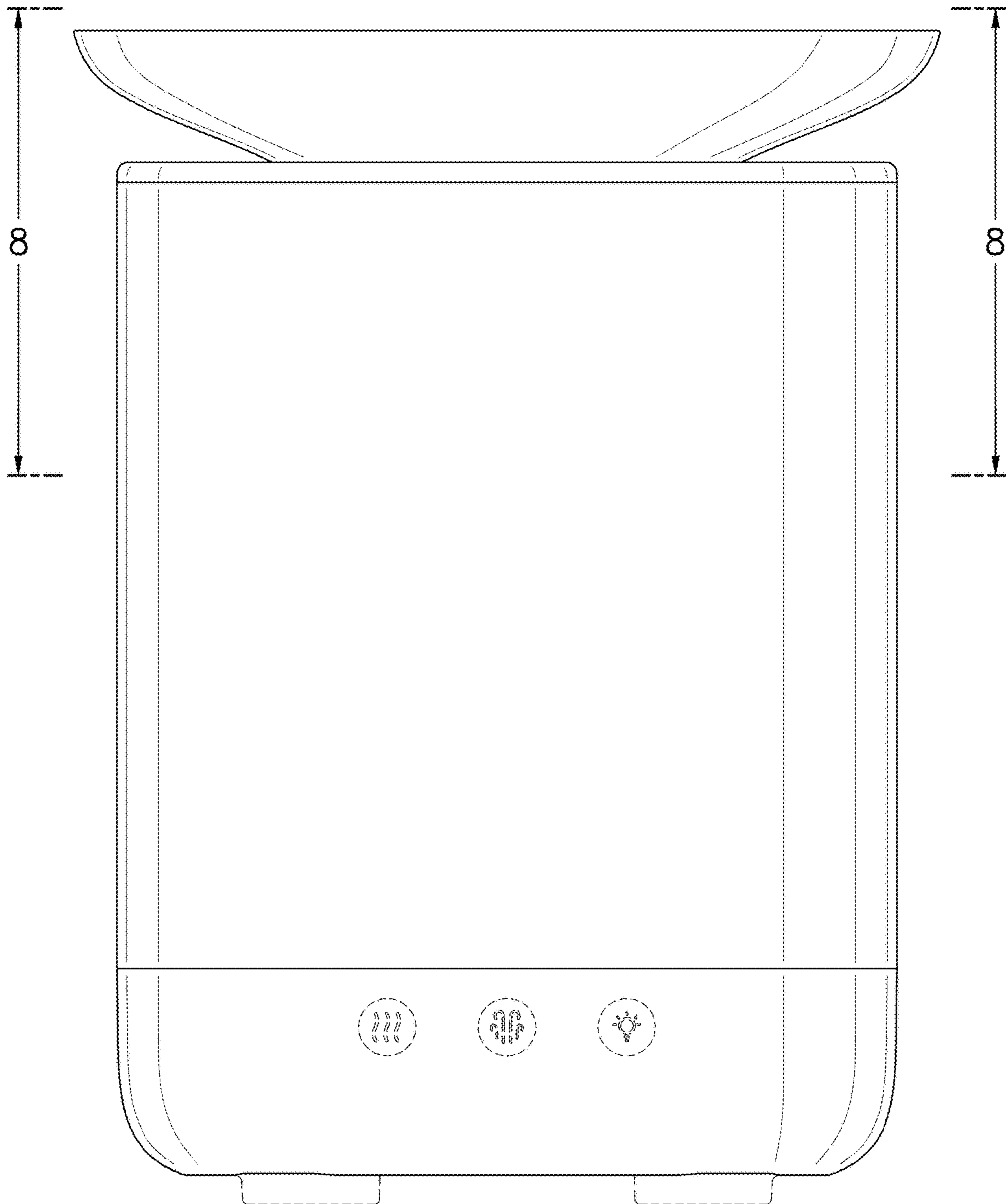


FIG. 2

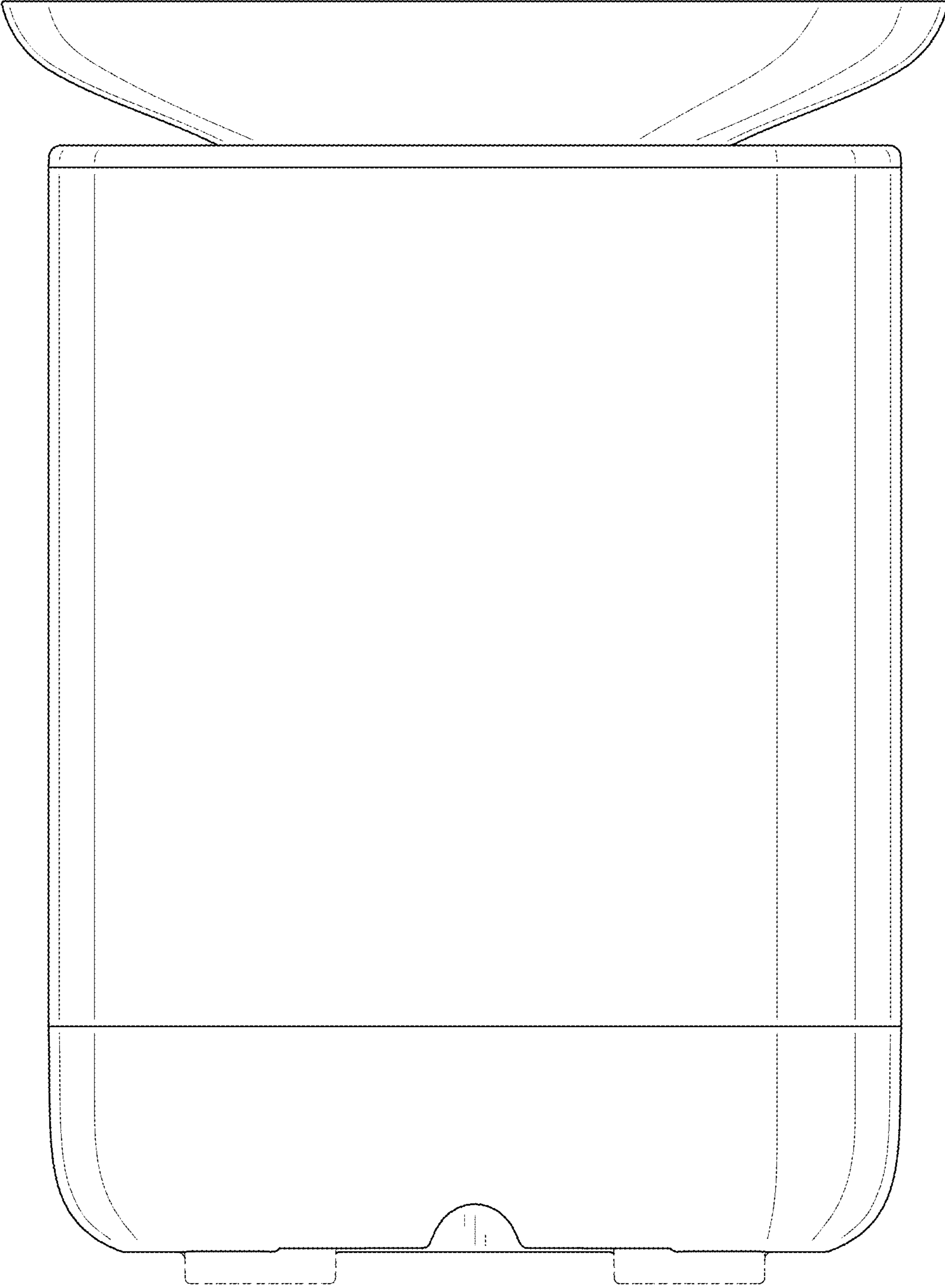


FIG. 3

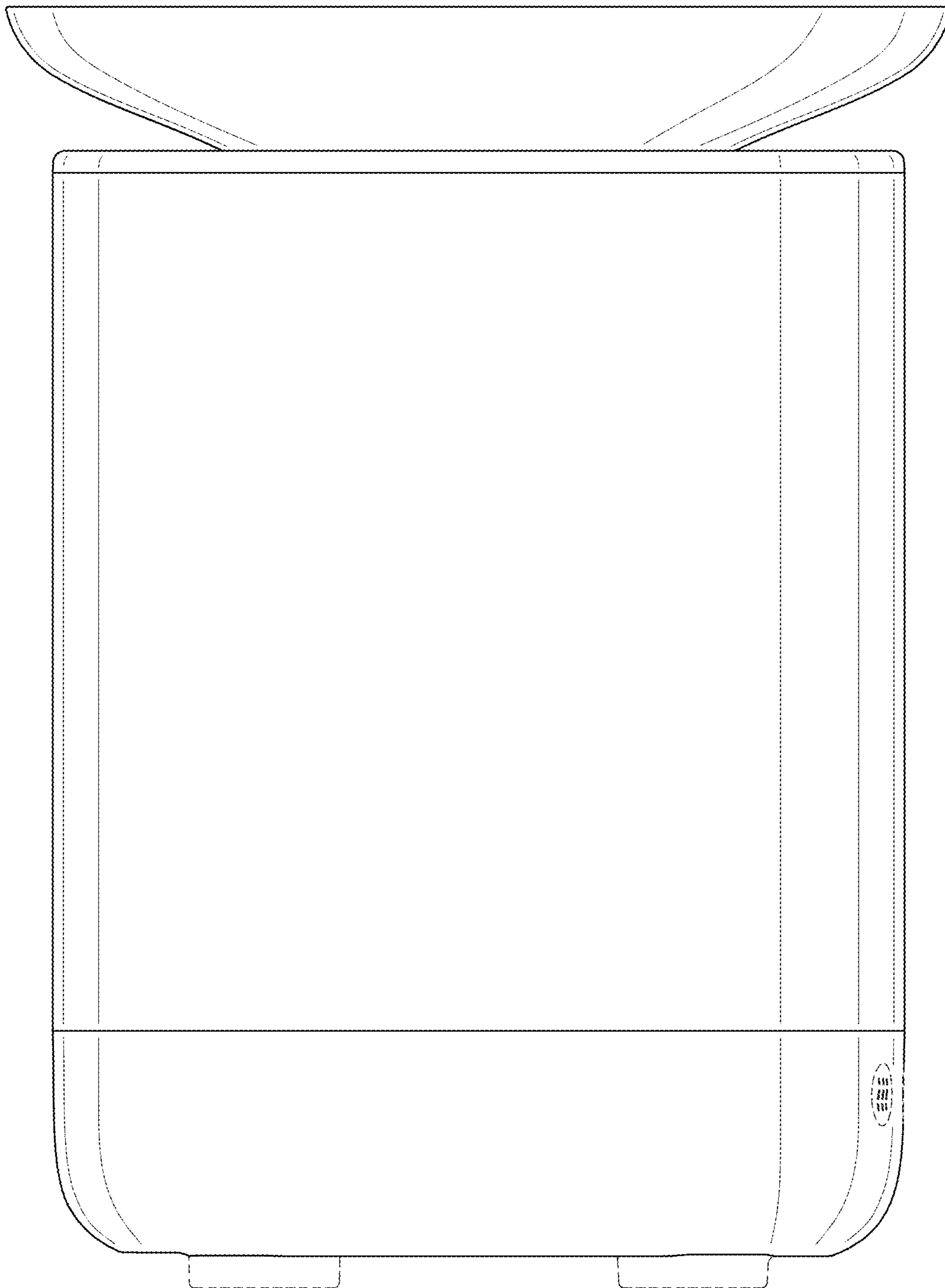


FIG. 4

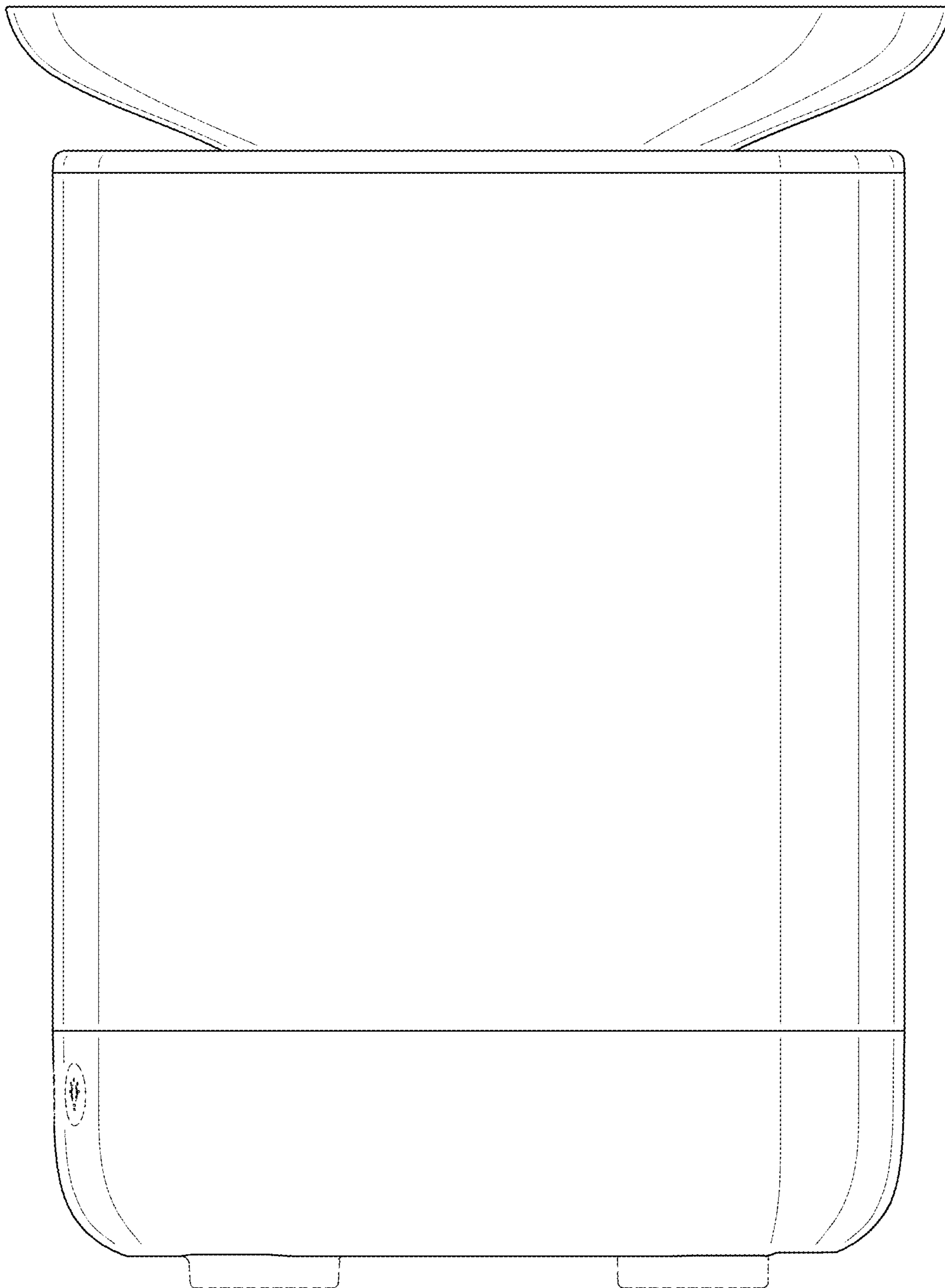


FIG. 5

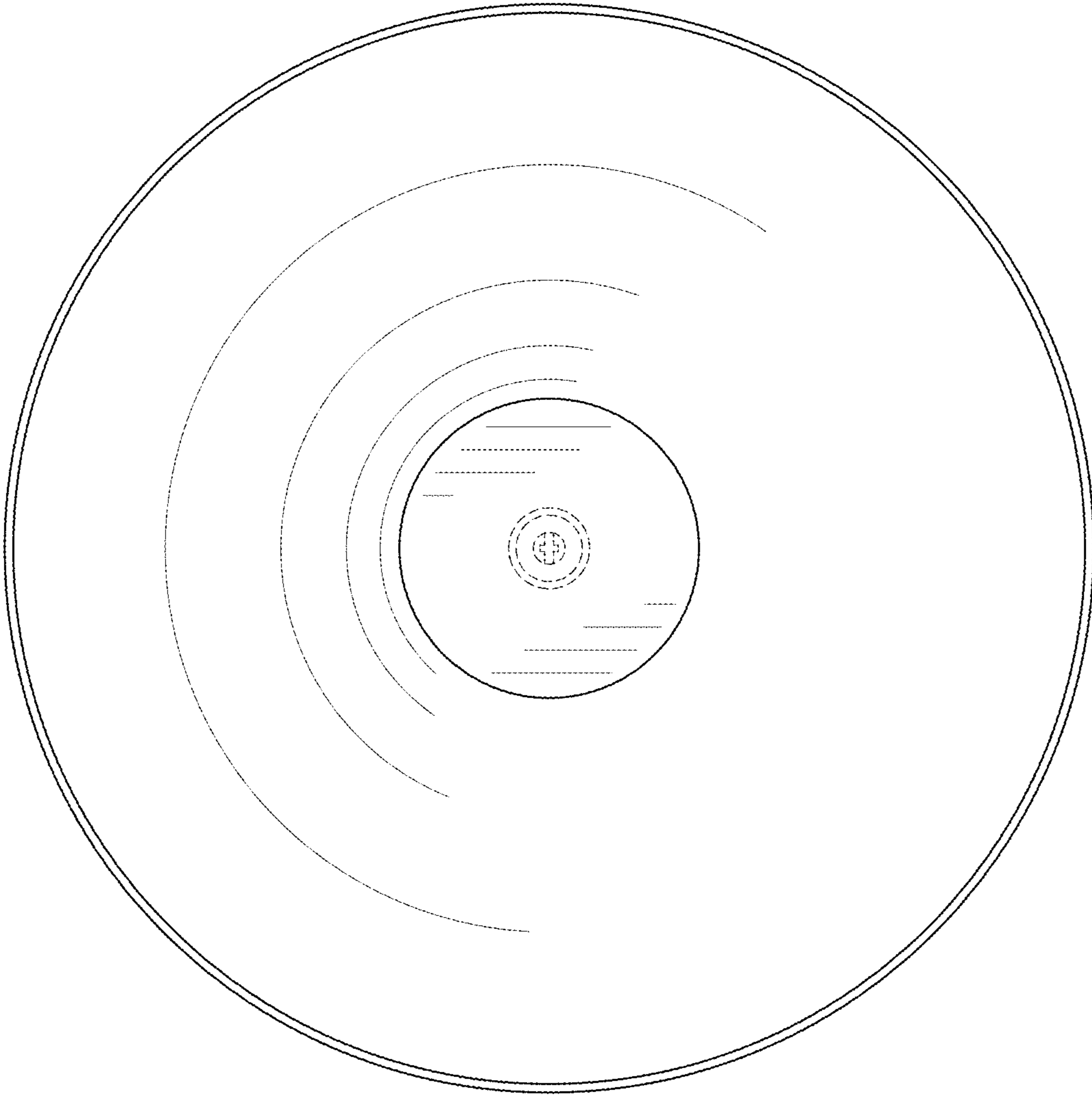


FIG. 6

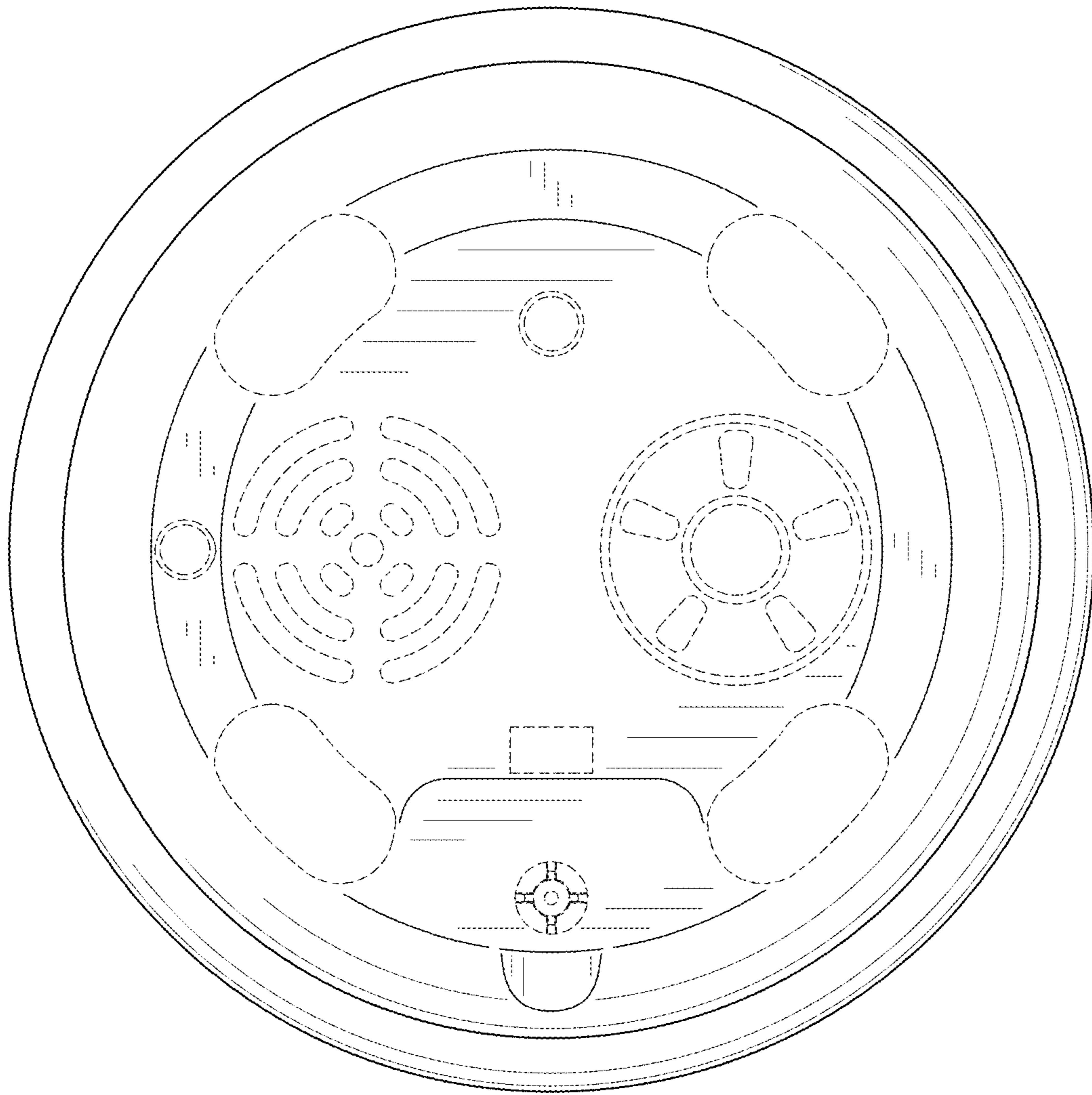


FIG. 7



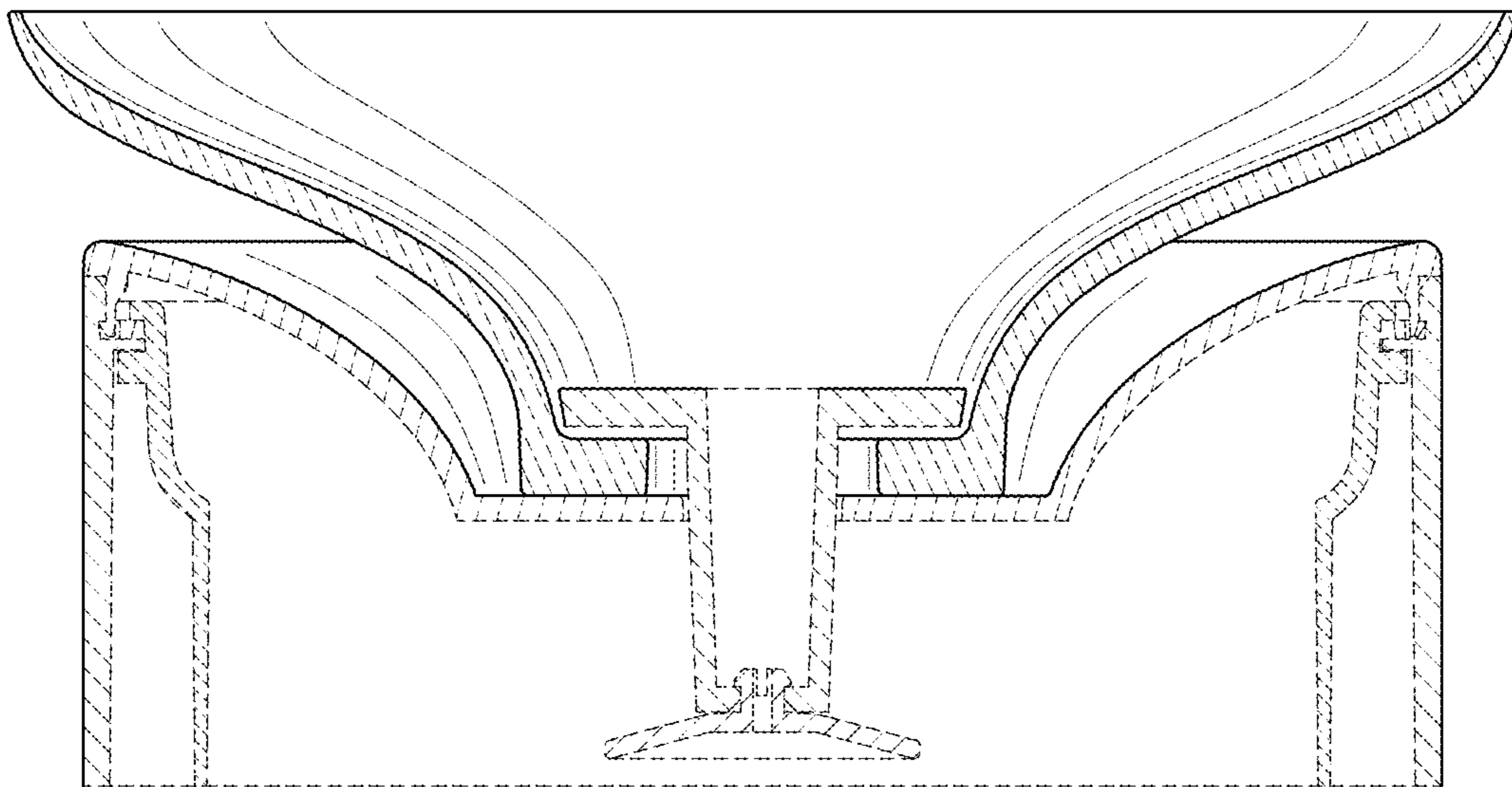


FIG. 8

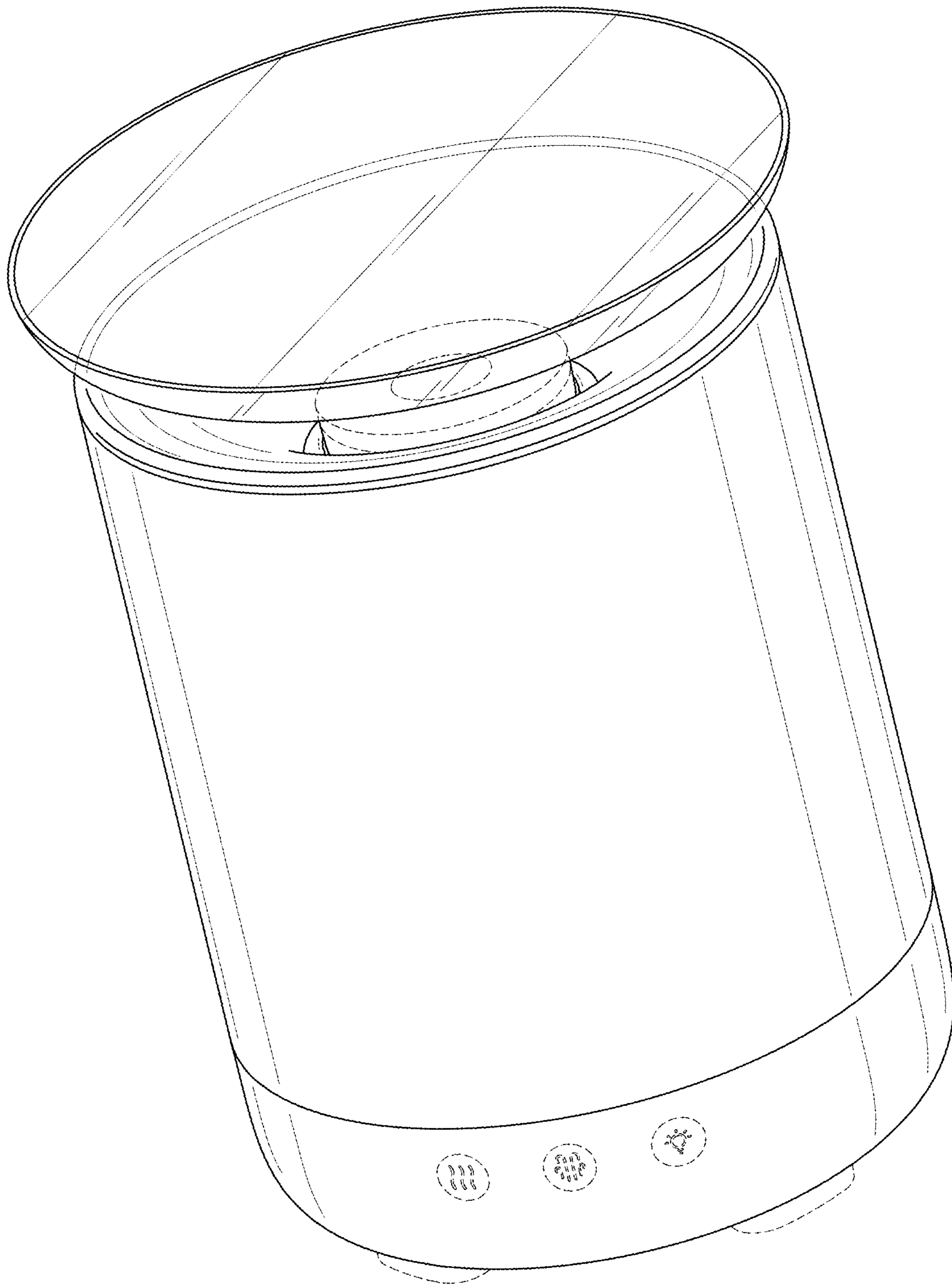


FIG. 9

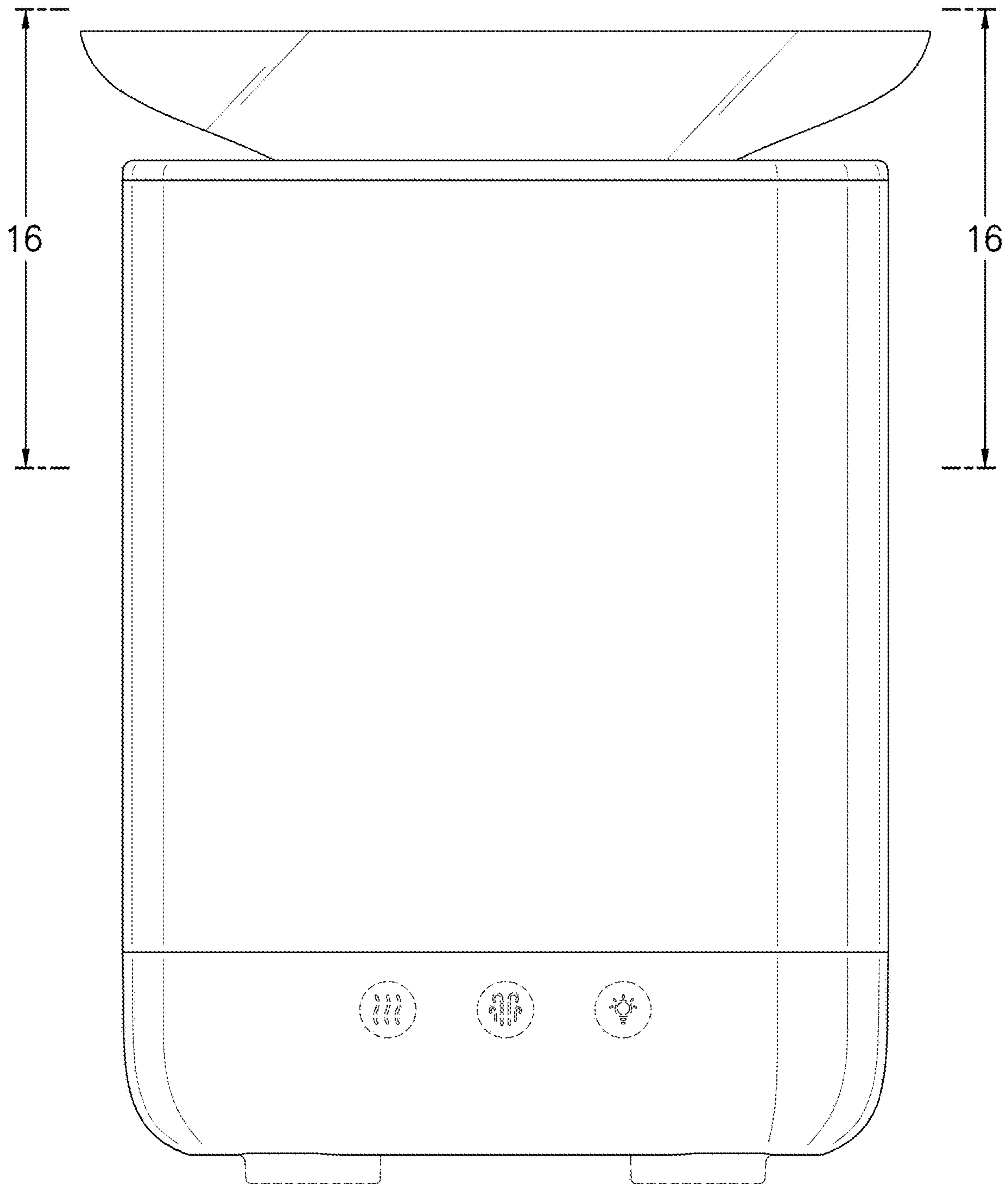


FIG. 10

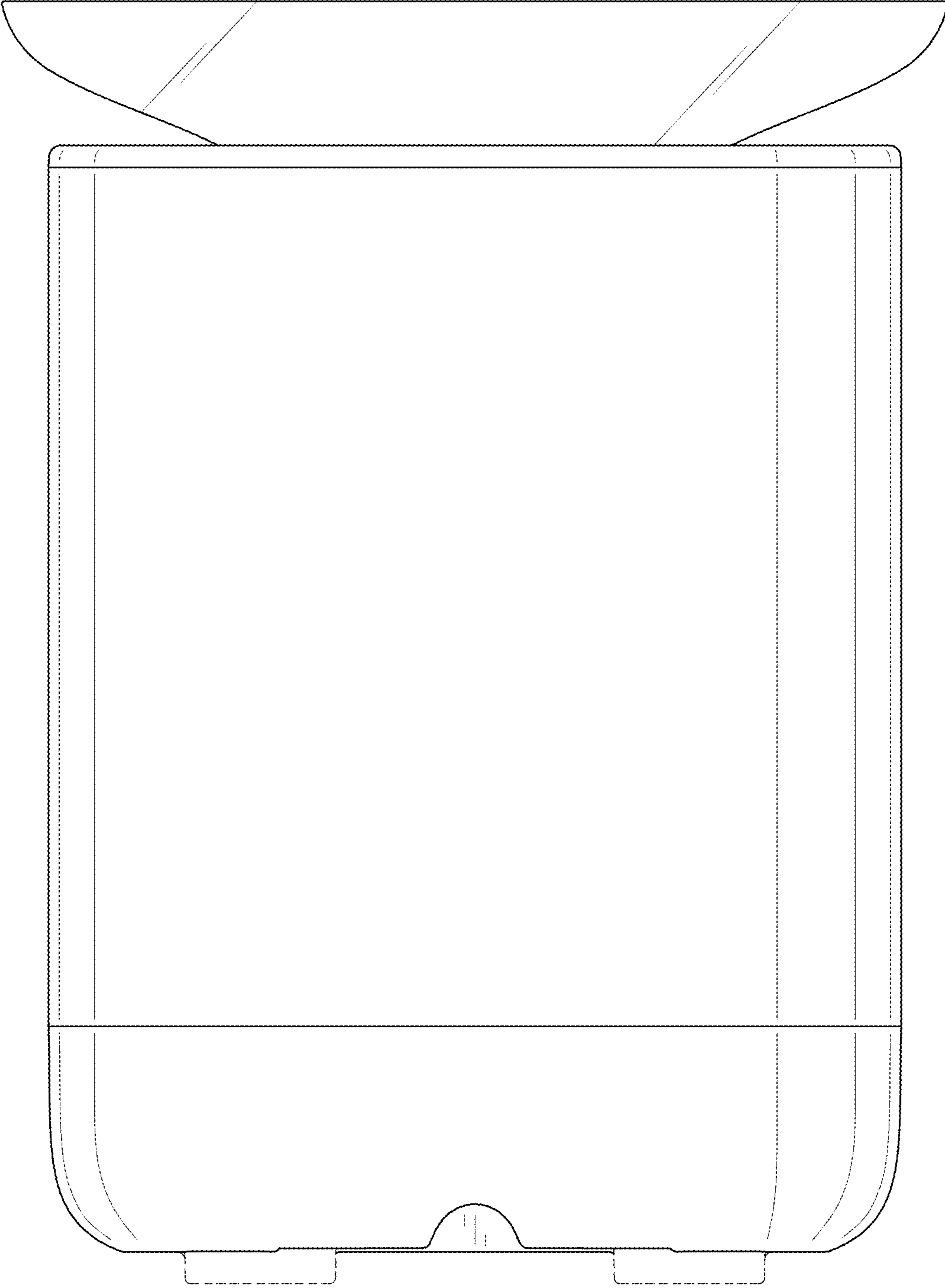


FIG. 11

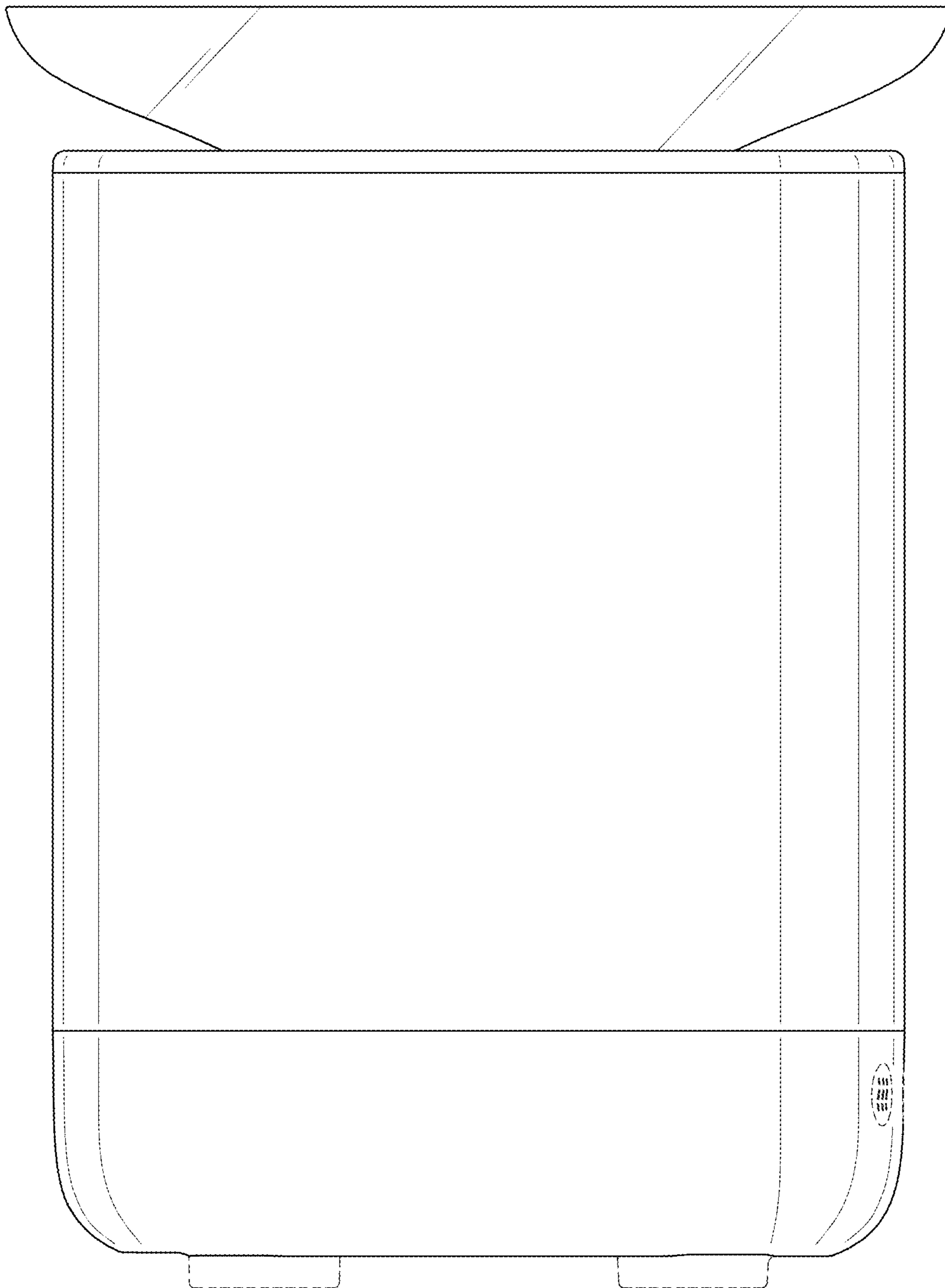


FIG. 12

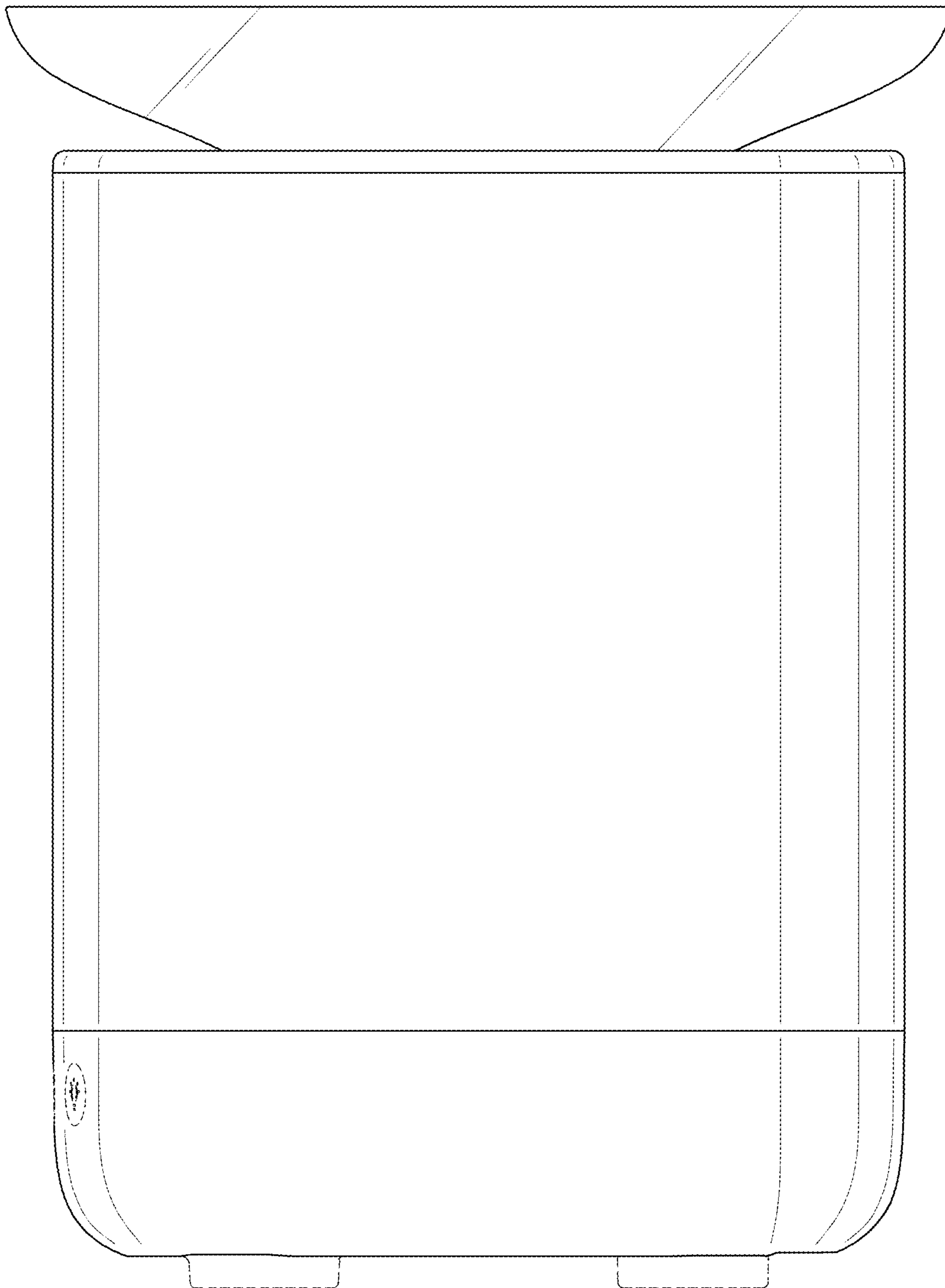


FIG. 13

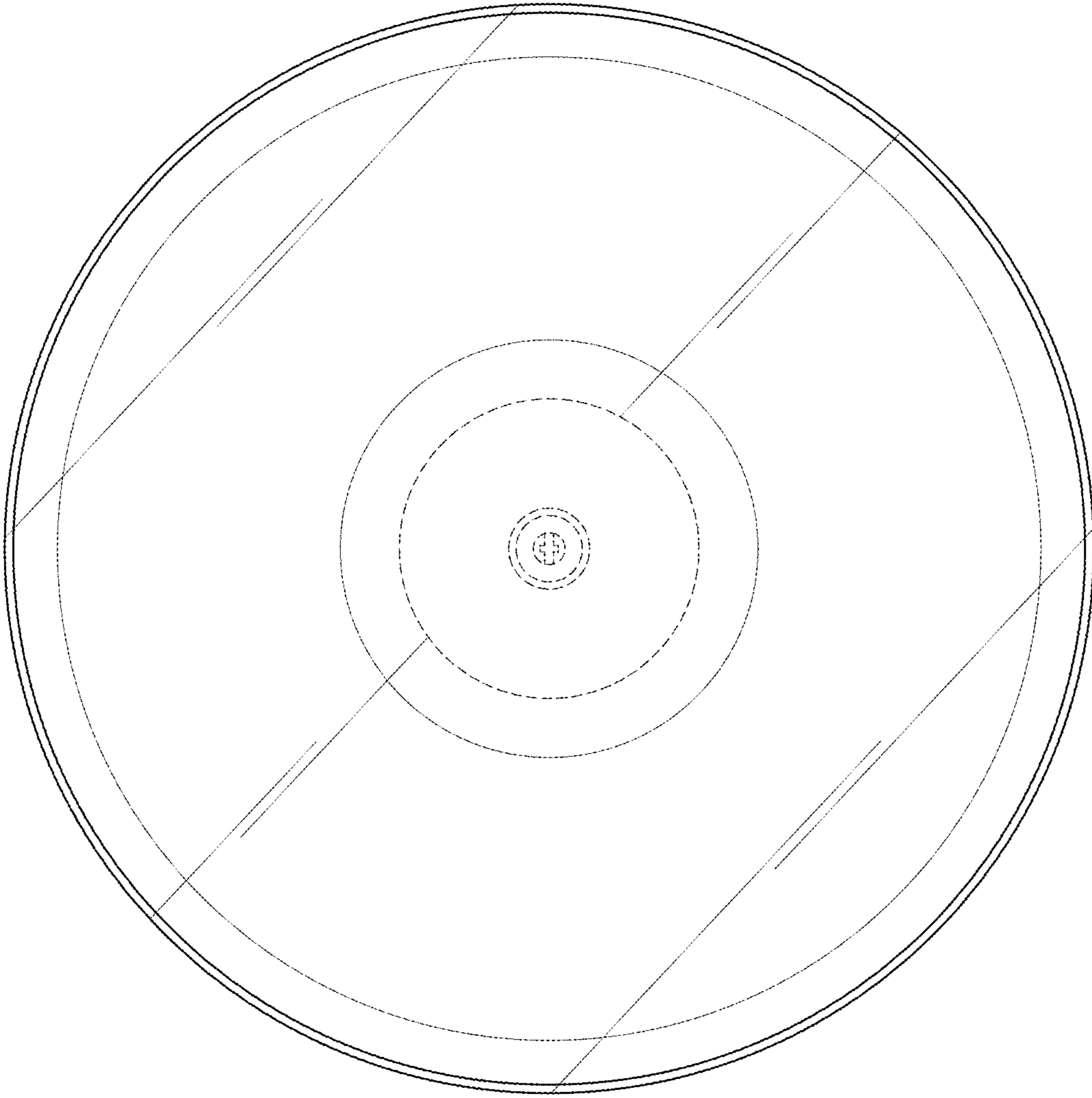


FIG. 14

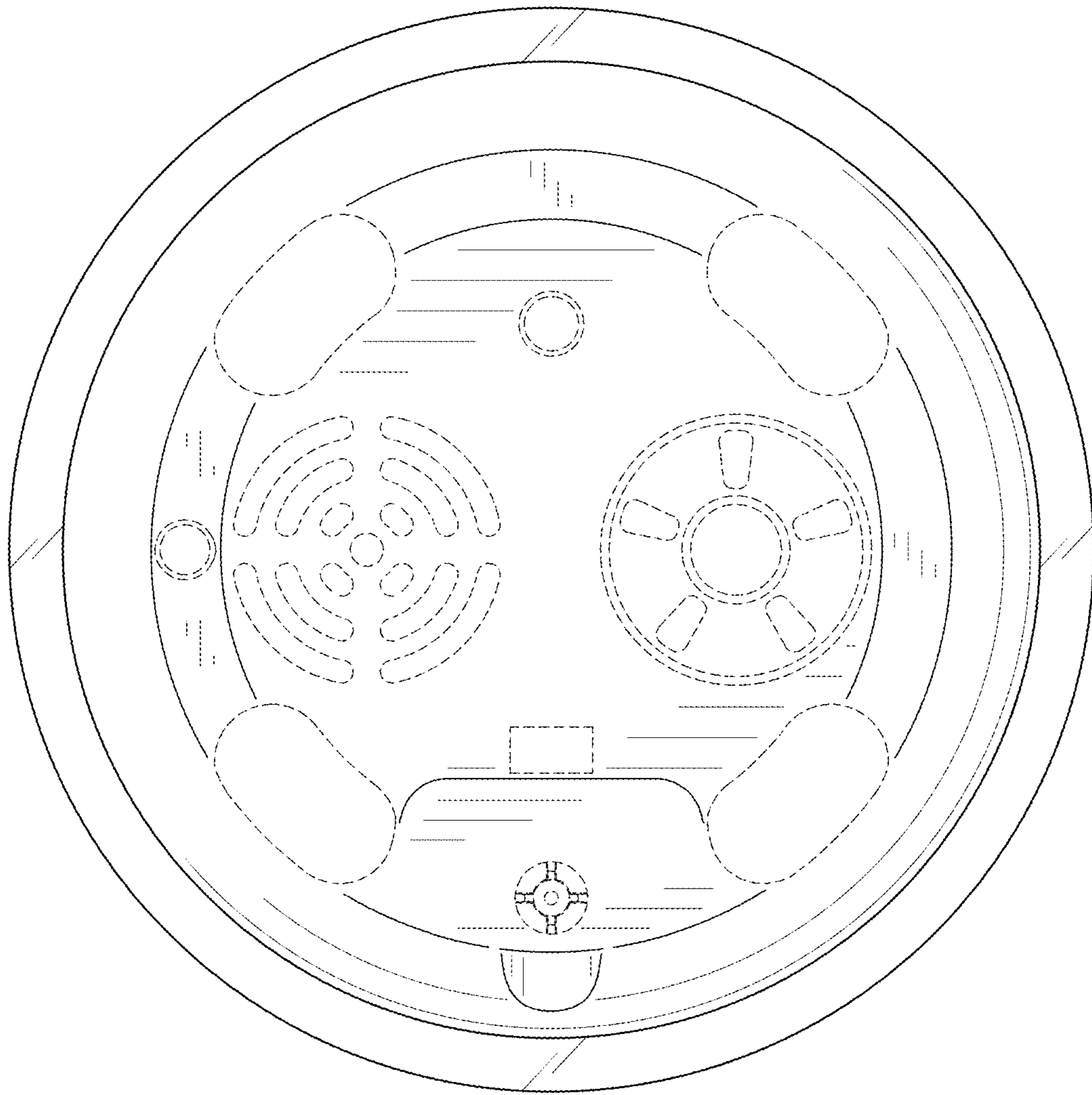


FIG. 15



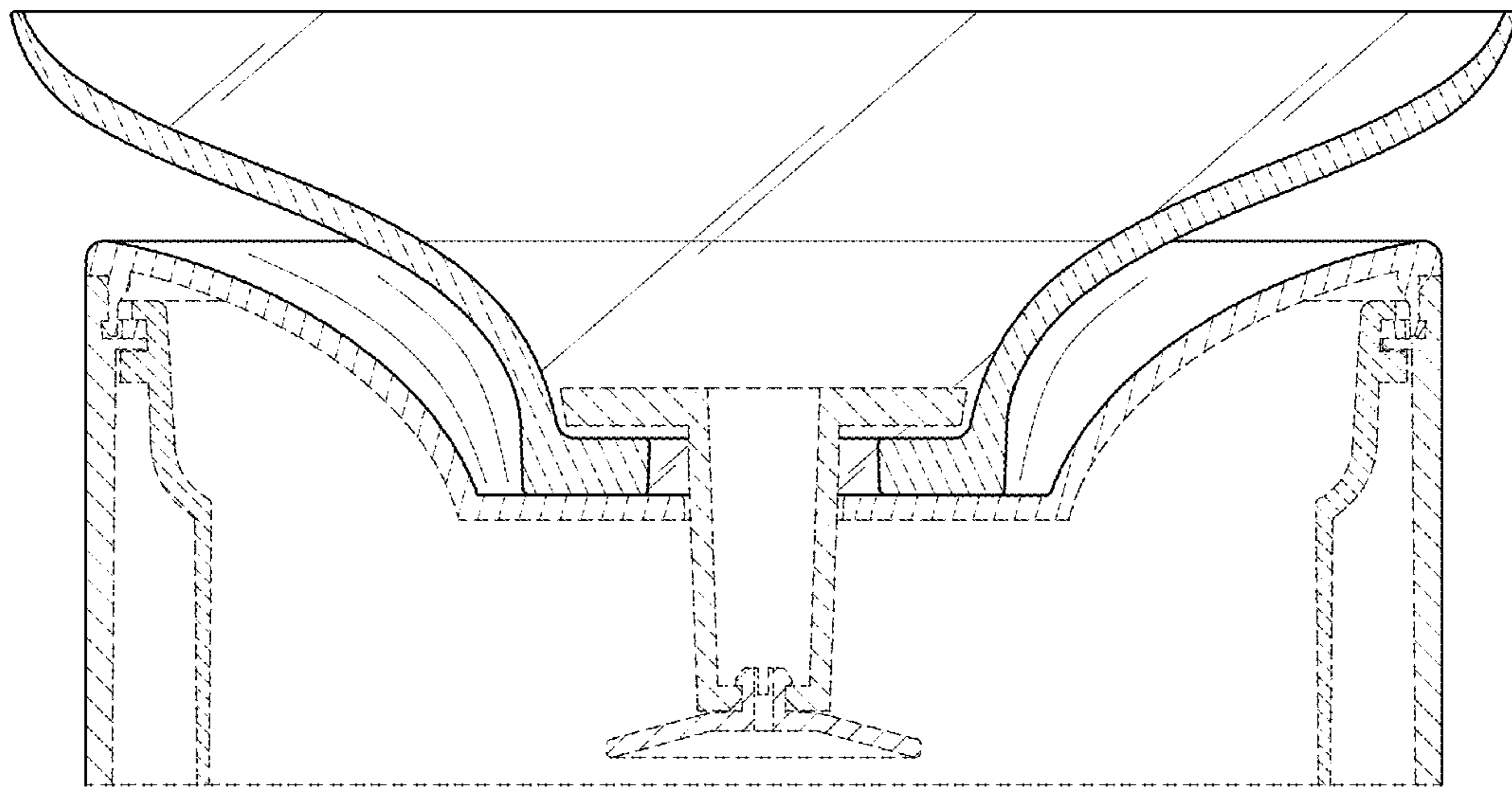


FIG. 16