

US00D914187S

(12) **United States Design Patent**
Bink et al.

(10) **Patent No.:** **US D914,187 S**
(45) **Date of Patent:** **** Mar. 23, 2021**

(54) **AIR CLEANER FILTER**
(71) Applicant: **Kohler Co.**, Kohler, WI (US)
(72) Inventors: **Benjamin J. Bink**, St. Cloud, WI (US);
Shankar Mathur Seetharaman,
Sheboygan, WI (US); **Alexander A.**
Yosick, Howards Grove, WI (US);
Steven M. Stenz, Plymouth, WI (US);
Bruce M. Lefeber, Plymouth, WI (US)

(73) Assignee: **KOHLER CO.**, Kohler, WI (US)

(**) Term: **15 Years**

(21) Appl. No.: **29/621,373**

(22) Filed: **Oct. 6, 2017**

(51) **LOC (13) Cl.** **23-04**

(52) **U.S. Cl.**
USPC **D23/365**

(58) **Field of Classification Search**
USPC D23/209, 235, 341, 358, 363-365, 393;
D15/5; 210/355; 55/498
CPC F02M 35/04; F02M 35/10; F02M 35/024;
B01D 46/0002; B01D 46/10
See application file for complete search history.

(56) **References Cited**

U.S. PATENT DOCUMENTS

4,617,122 A	10/1986	Kruse et al.	
4,834,784 A	5/1989	Bidanset	
4,838,909 A	6/1989	Bidanset	
D326,706 S *	6/1992	Karlsson	D23/209
D355,482 S	2/1995	Grigsby, Jr.	
5,556,441 A	9/1996	Courtwright et al.	
5,674,302 A	10/1997	Nakayama et al.	
5,679,122 A	10/1997	Moll et al.	
5,800,581 A	9/1998	Gielink et al.	
5,863,424 A	1/1999	Lee	
D412,567 S	8/1999	Ward et al.	

D416,317 S	11/1999	Bellil et al.	
6,165,243 A	12/2000	Kawaguchi	
6,293,981 B1	9/2001	Holderle et al.	
6,395,049 B2	5/2002	Knödler et al.	
6,425,930 B1	7/2002	Wake et al.	
6,507,717 B2	1/2003	Kushida	
D474,266 S	5/2003	Rotter et al.	
6,641,636 B2	11/2003	Willig et al.	
D484,584 S *	12/2003	Anderson	D23/365
6,814,772 B1	11/2004	Wake et al.	
7,004,987 B2	2/2006	Pikesh et al.	
D516,698 S *	3/2006	Stout, Jr.	D23/393
D517,679 S *	3/2006	Stout, Jr.	D23/393
D520,619 S	5/2006	Kuempel et al.	
D520,620 S *	5/2006	Wang	D23/365
D525,120 S *	7/2006	Maskell	D9/428
D535,373 S *	1/2007	Chung	D23/365
D555,775 S	11/2007	Bonde et al.	
7,481,863 B2 *	1/2009	Oelpke	B01D 25/001 55/483

(Continued)

Primary Examiner — John A Voytek

(74) *Attorney, Agent, or Firm* — The Belles Group, P.C.

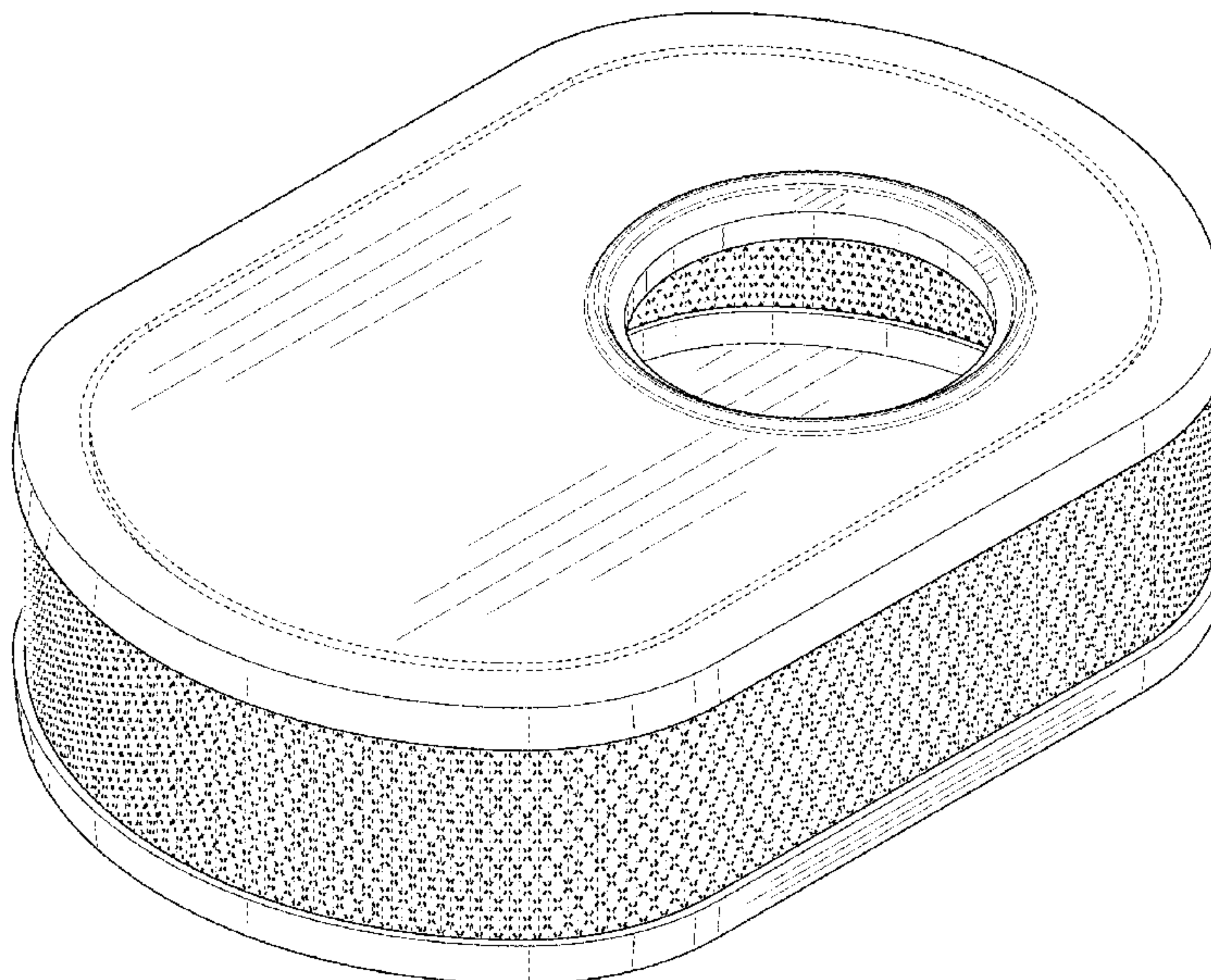
(57) **CLAIM**

The ornamental design for an air cleaner filter, as shown and described.

DESCRIPTION

FIG. 1 is a front-right elevated view of an air cleaner filter according to the new design;
FIG. 2 is a front-right depressed view thereof;
FIG. 3 is a front plan view thereof;
FIG. 4 is a rear plan view thereof;
FIG. 5 is a right-side plan view thereof;
FIG. 6 is a left-side plan view thereof;
FIG. 7 is a top plan view thereof; and,
FIG. 8 is a bottom plan view thereof.
The broken lines in the drawings show portions of the air cleaner filter that form no part of the claim.

1 Claim, 7 Drawing Sheets



(56)

References Cited

U.S. PATENT DOCUMENTS

D640,131 S *	6/2011	Gibson	D9/426
D650,473 S *	12/2011	Petersen	D23/364
D656,230 S *	3/2012	Robinson	D23/363
D690,588 S *	10/2013	Pipes	D9/424
D692,298 S *	10/2013	Pipes	A24F 23/00
				D9/434
D706,831 S *	6/2014	Schultz	D15/5
D709,919 S *	7/2014	Fairchild	D15/5
D736,263 S *	8/2015	Schultz	D15/5
D794,082 S *	8/2017	Krull	D15/5
2012/0204846 A1 *	8/2012	Schultz	F02M 25/06
				123/573

* cited by examiner

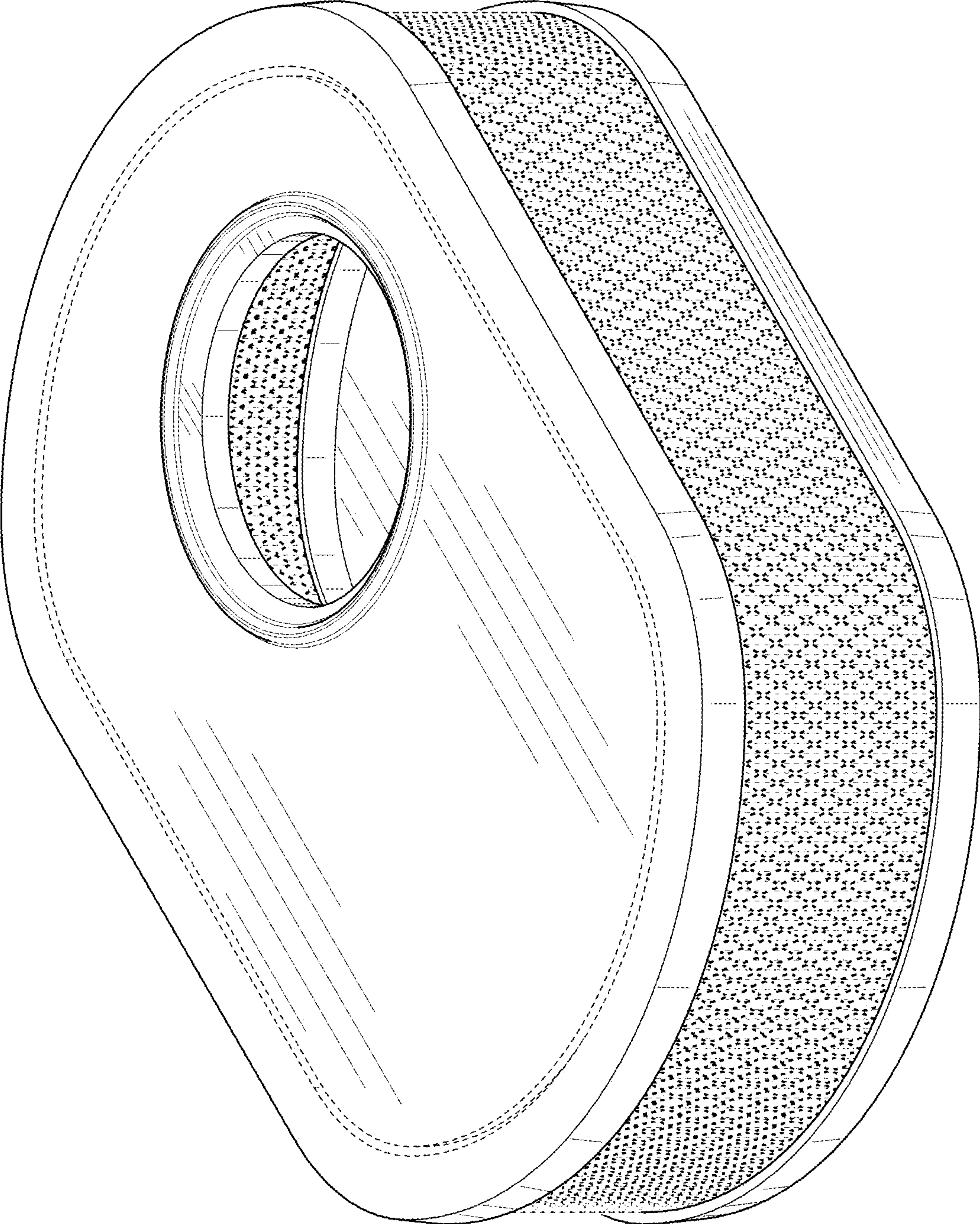


FIG. 1

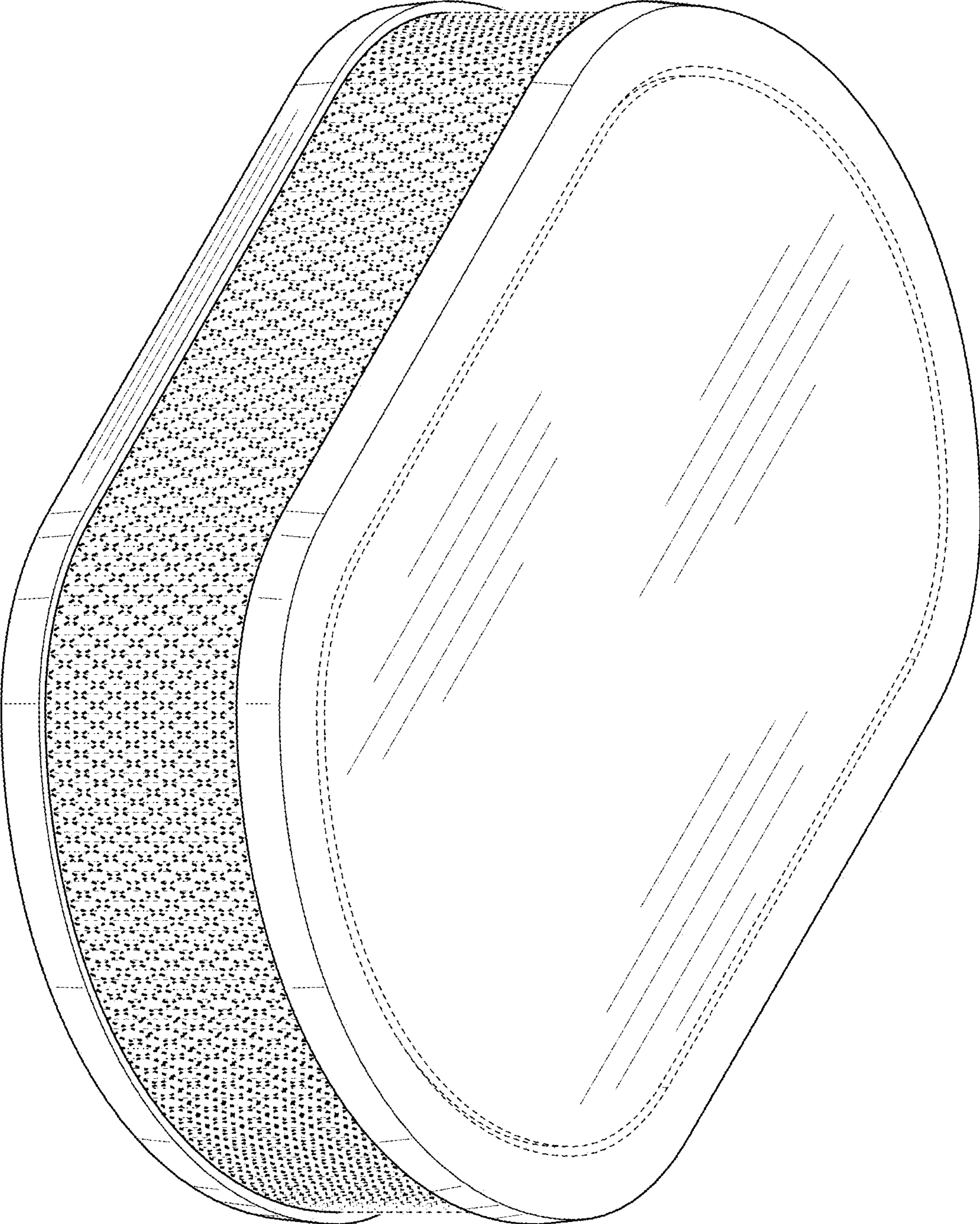


FIG. 2

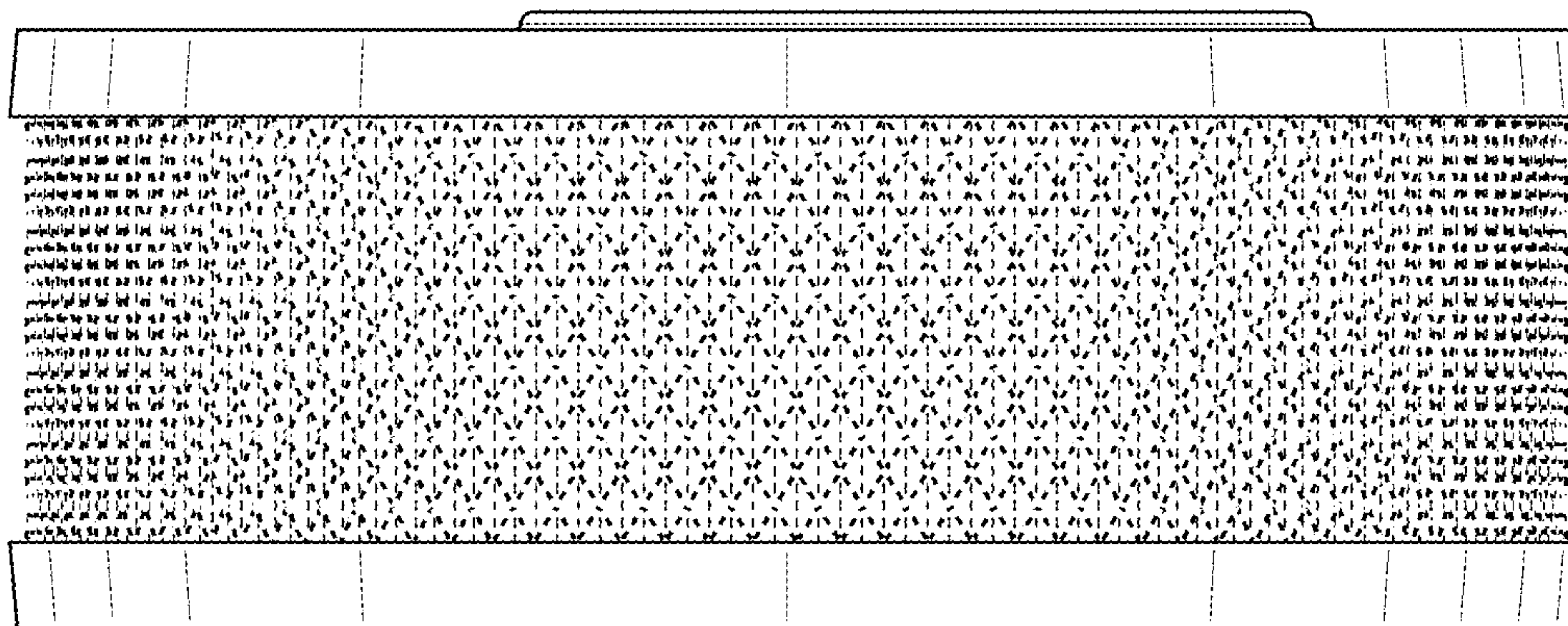


FIG. 3

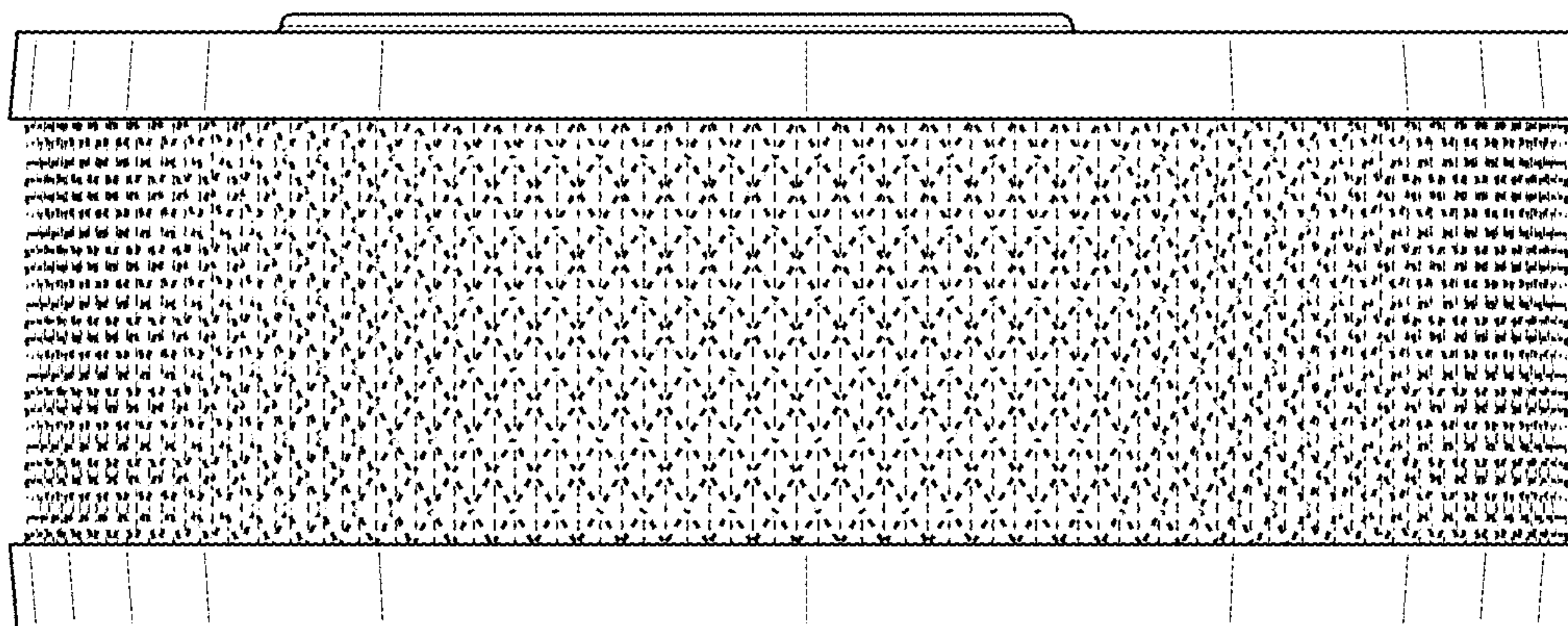


FIG. 4

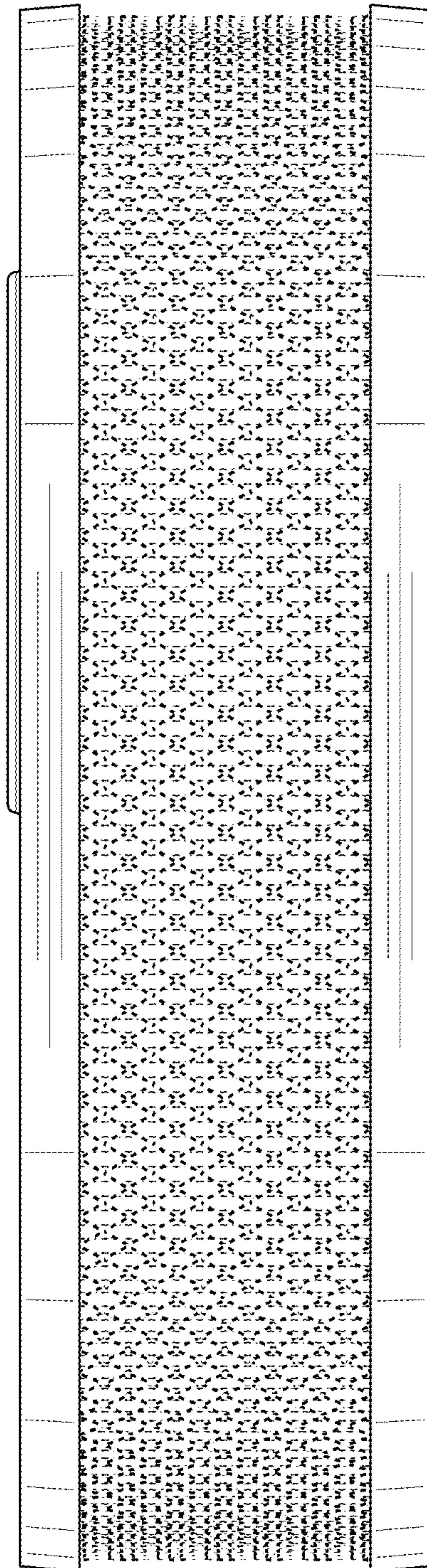


FIG. 5

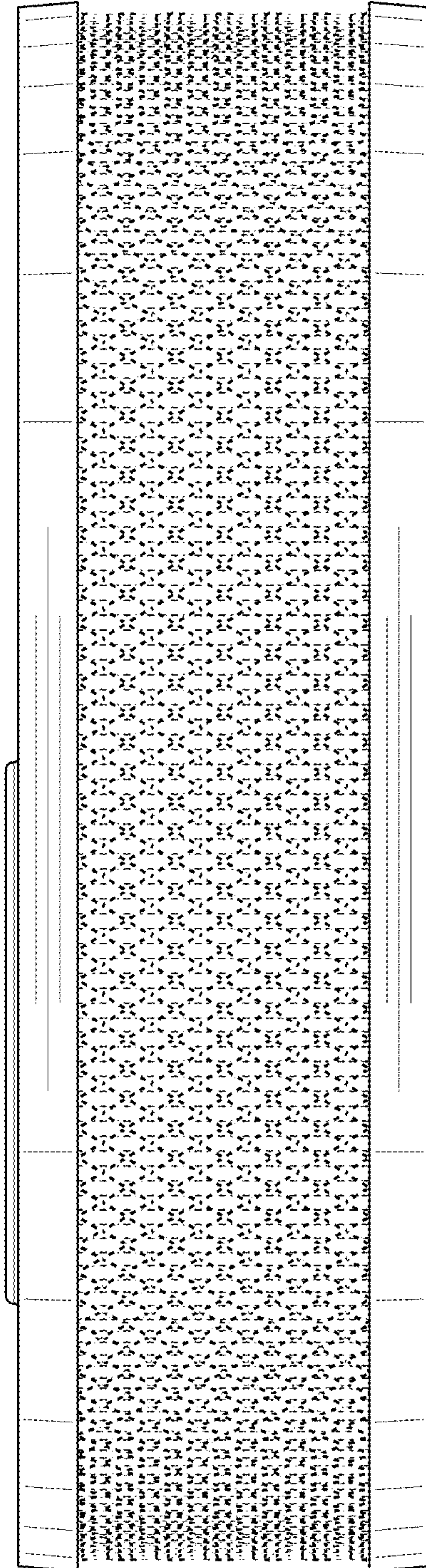


FIG. 6

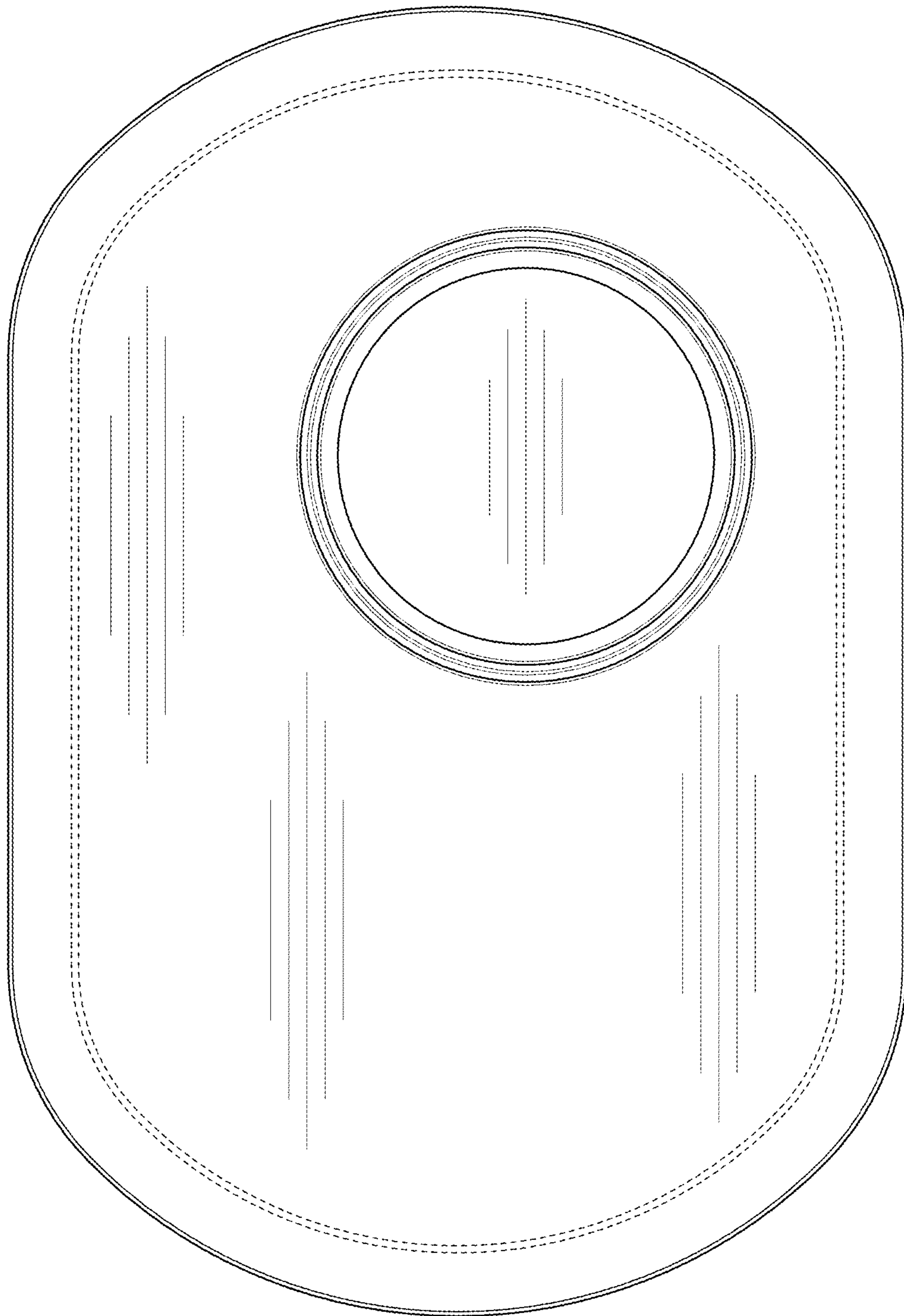


FIG. 7

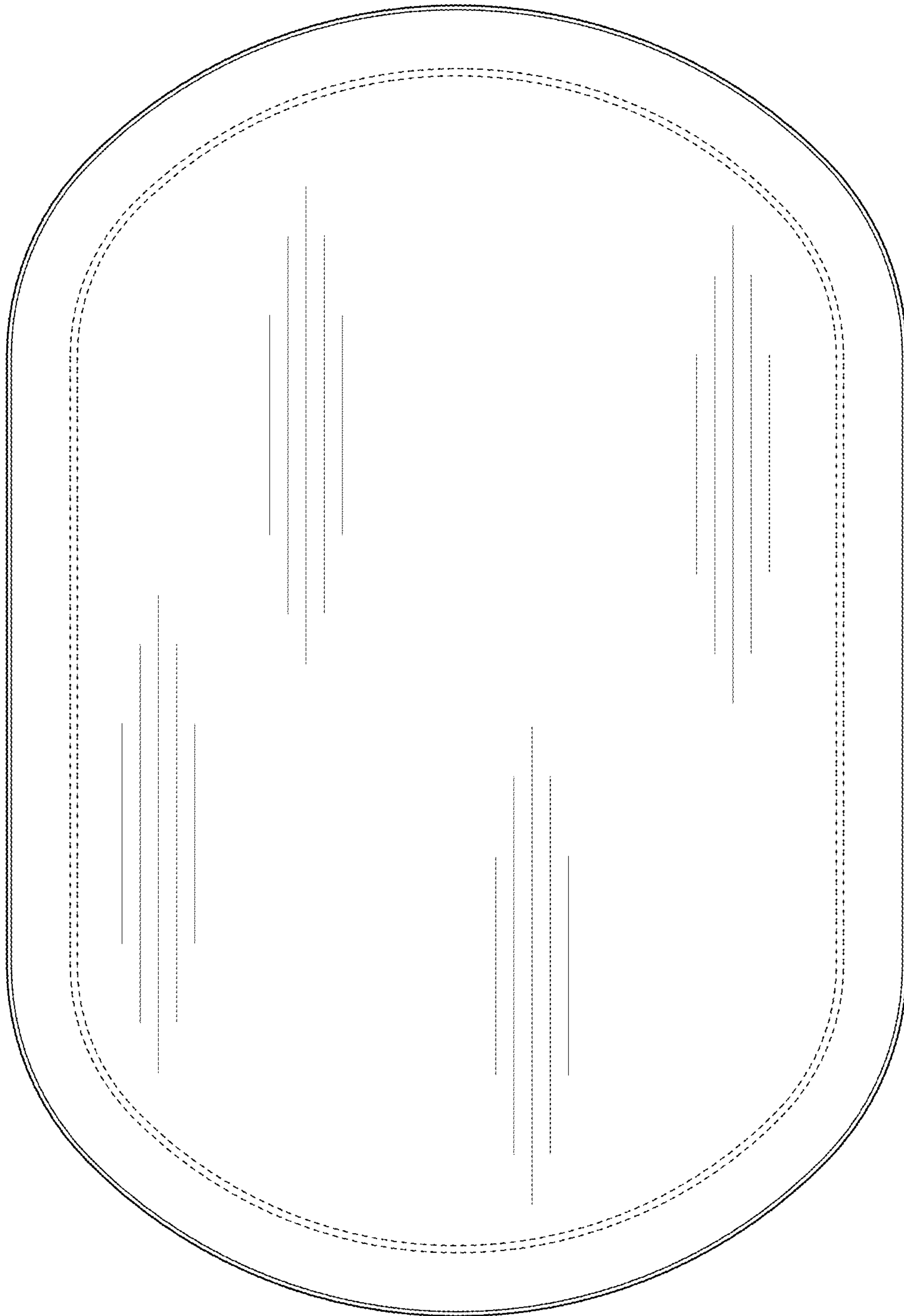


FIG. 8