



US00D914184S

(12) **United States Design Patent**
Suarez et al.

(10) **Patent No.:** **US D914,184 S**
(45) **Date of Patent:** **** Mar. 23, 2021**

(54) **AIR PURIFIER**

(71) Applicant: **SUAREZ CORPORATION**
INDUSTRIES, North Canton, OH (US)

(72) Inventors: **Benjamin D. Suarez**, Canton, OH
(US); **Kenneth F. Polcyn**, Stow, OH
(US)

(73) Assignee: **SUAREZ INDUSTRIES, INC.**, North
Canton, OH (US)

(**) Term: **15 Years**

(21) Appl. No.: **29/701,893**

(22) Filed: **Aug. 15, 2019**

(51) **LOC (13) Cl.** **23-04**

(52) **U.S. Cl.**
USPC **D23/364**

(58) **Field of Classification Search**
USPC D23/355-366, 352, 369, 332, 333, 335,
D23/336, 342, 351; 422/120, 122;
55/356, 473, 504; 96/97; 261/DIG. 17,
261/DIG. 65, DIG. 88, DIG. 31
CPC .. A61L 9/16; A61L 9/22; B01D 47/00; B01D
47/027; B01D 2221/02; B01D 2259/4508;
B03C 3/155; B03C 3/368; F24F 3/16;
F24F 13/20; F24F 13/28; F24F
2001/0096

See application file for complete search history.

(56) **References Cited**

U.S. PATENT DOCUMENTS

D448,461 S * 9/2001 Toro D23/335
D449,099 S * 10/2001 Juhlin D23/355

D535,736 S * 1/2007 Wu D23/366
D537,156 S * 2/2007 Marengo D23/364
D543,266 S * 5/2007 Chen D23/364
D543,613 S * 5/2007 Holekamp D23/366
D547,852 S * 7/2007 Wu D23/366
D673,665 S * 1/2013 Langford D23/359
D784,508 S * 4/2017 Cross D23/355
D801,503 S * 10/2017 Reed D23/356
D849,220 S 5/2019 Fang
D852,344 S 6/2019 Hua
D853,544 S 7/2019 Vu et al.
D853,545 S 7/2019 Zhong
D855,170 S 7/2019 Hyon et al.
D874,626 S * 2/2020 Protet D23/356
D876,599 S * 2/2020 He D23/364
D886,269 S * 6/2020 Sakamoto D23/356

* cited by examiner

Primary Examiner — David G Muller

(74) *Attorney, Agent, or Firm* — Pearne & Gordon LLP

(57) **CLAIM**

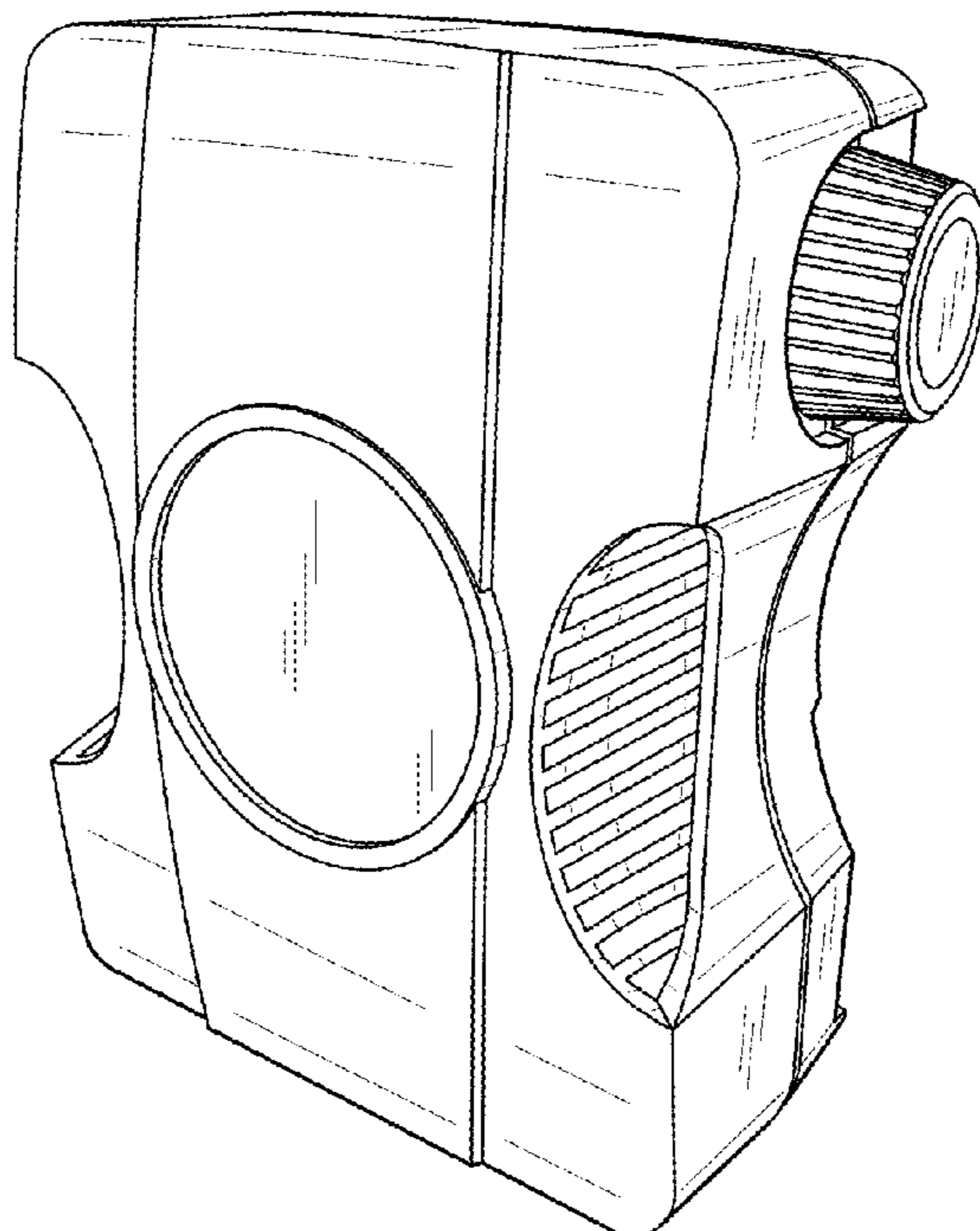
The ornamental design for an air purifier, as shown and described.

DESCRIPTION

FIG. 1 is a perspective view of an air purifier, showing our new design;
FIG. 2 is a front view thereof;
FIG. 3 is a left side view thereof;
FIG. 4 is a top view thereof;
FIG. 5 is a back view thereof;
FIG. 6 is a right side view thereof; and,
FIG. 7 is a bottom view thereof.

The broken lines in the drawings represent unclaimed subject matter and form no part of the claimed design.

1 Claim, 3 Drawing Sheets



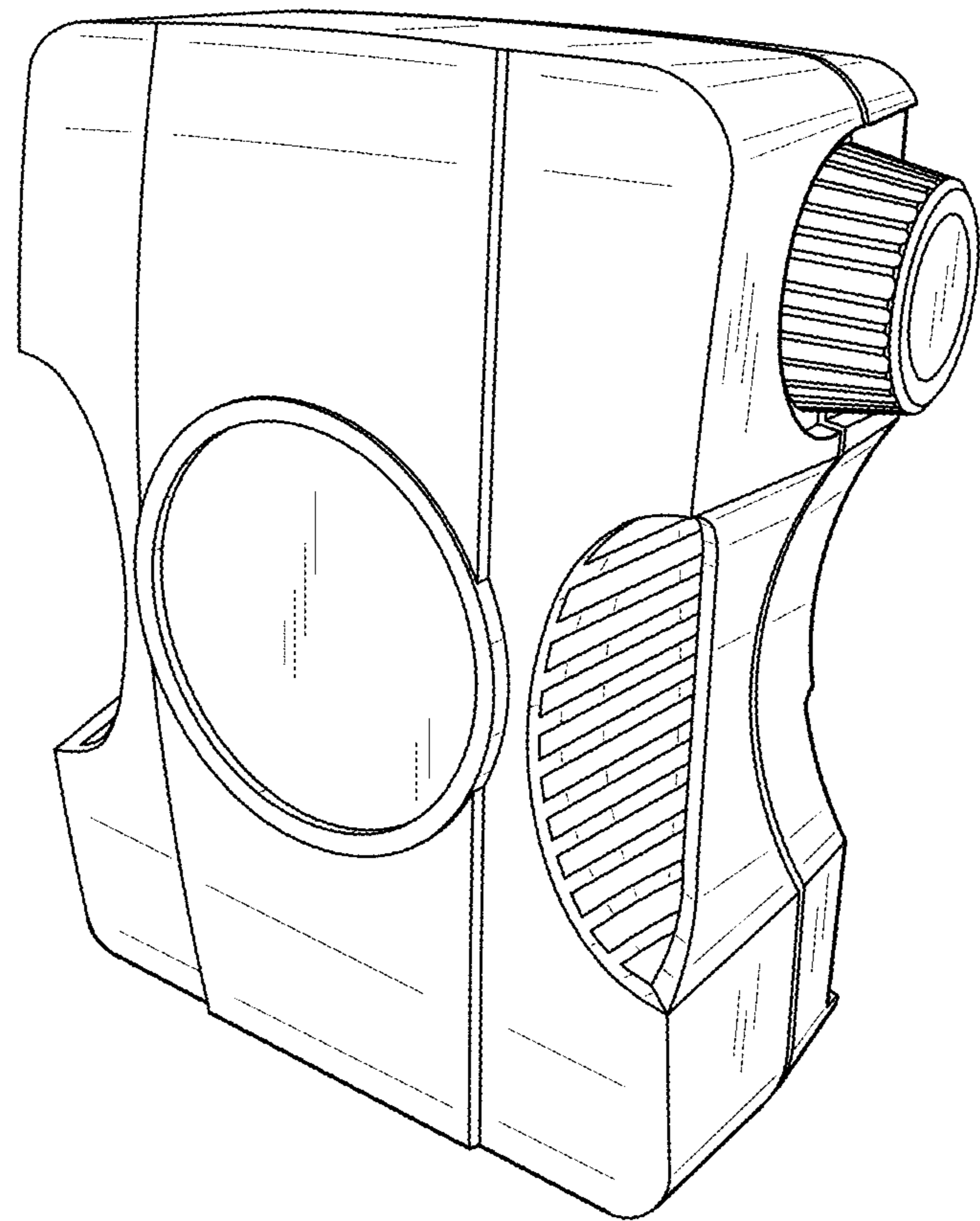


FIG. 1

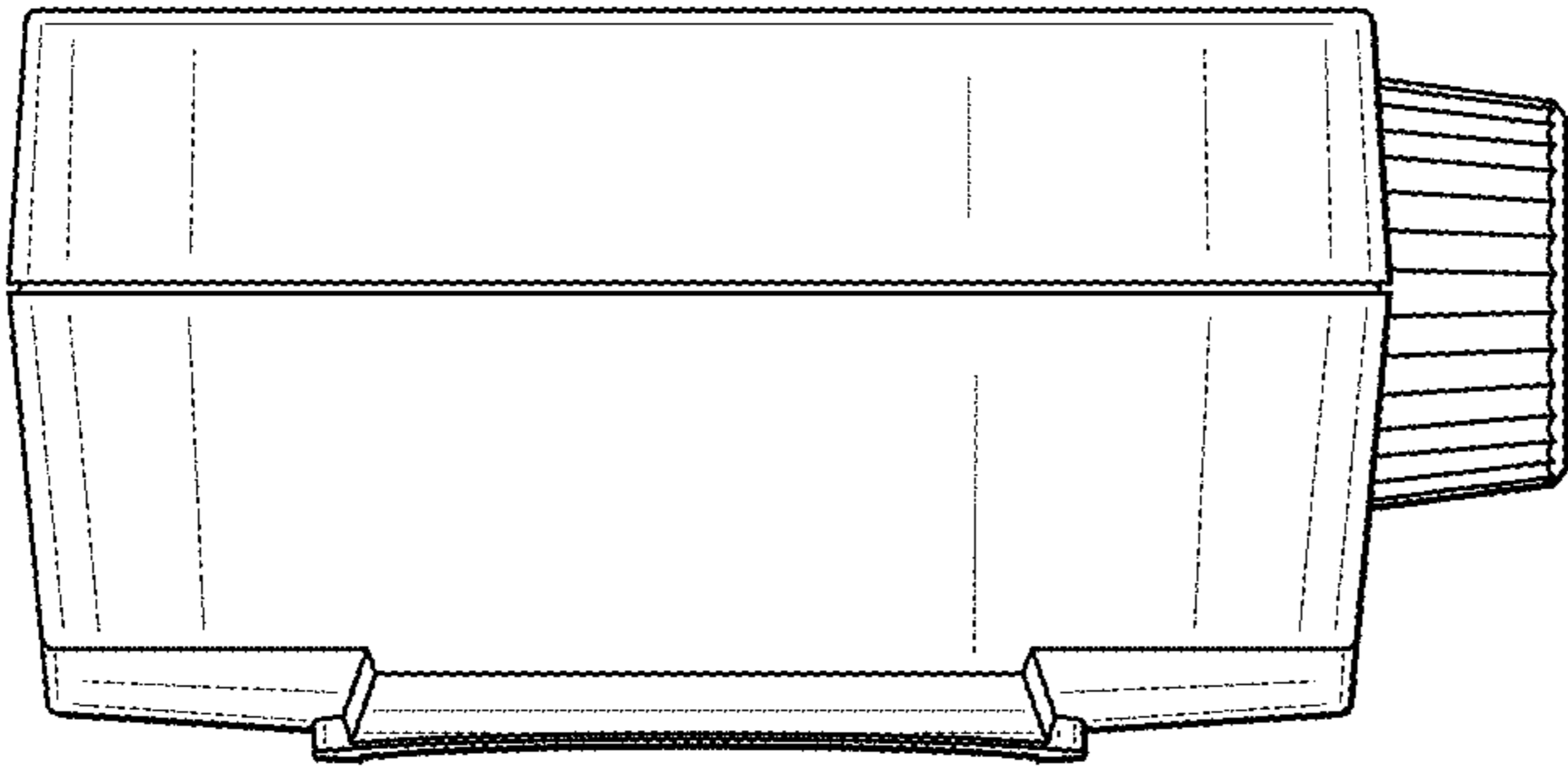


FIG. 4

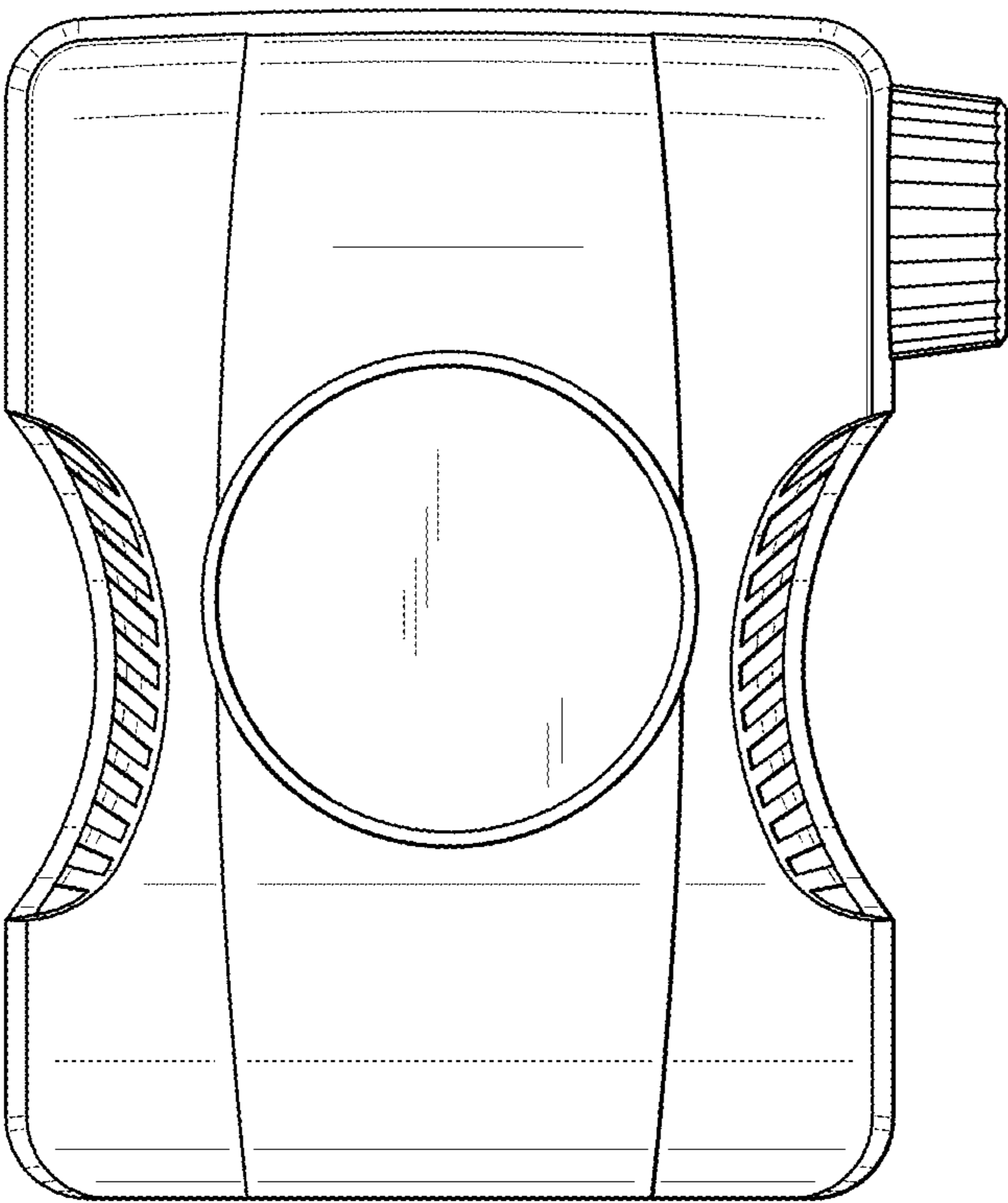


FIG. 2

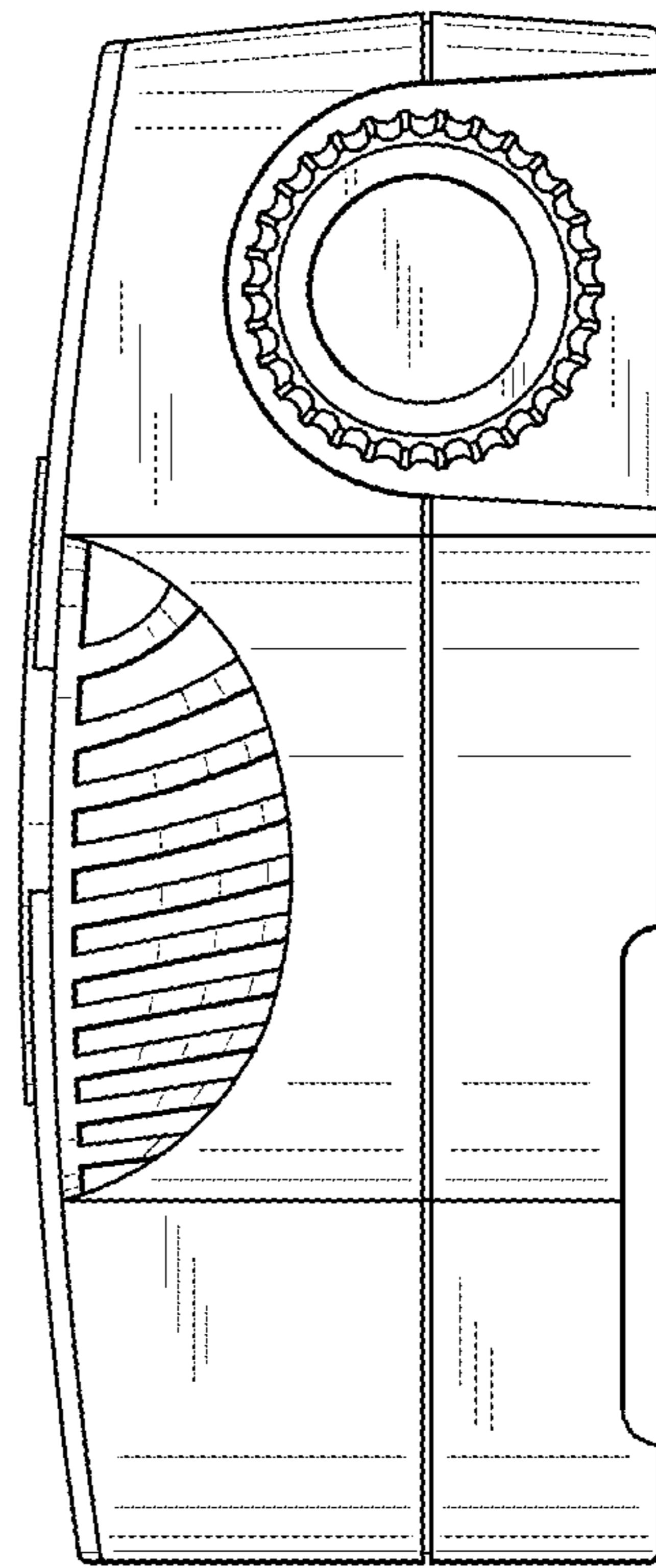


FIG. 3

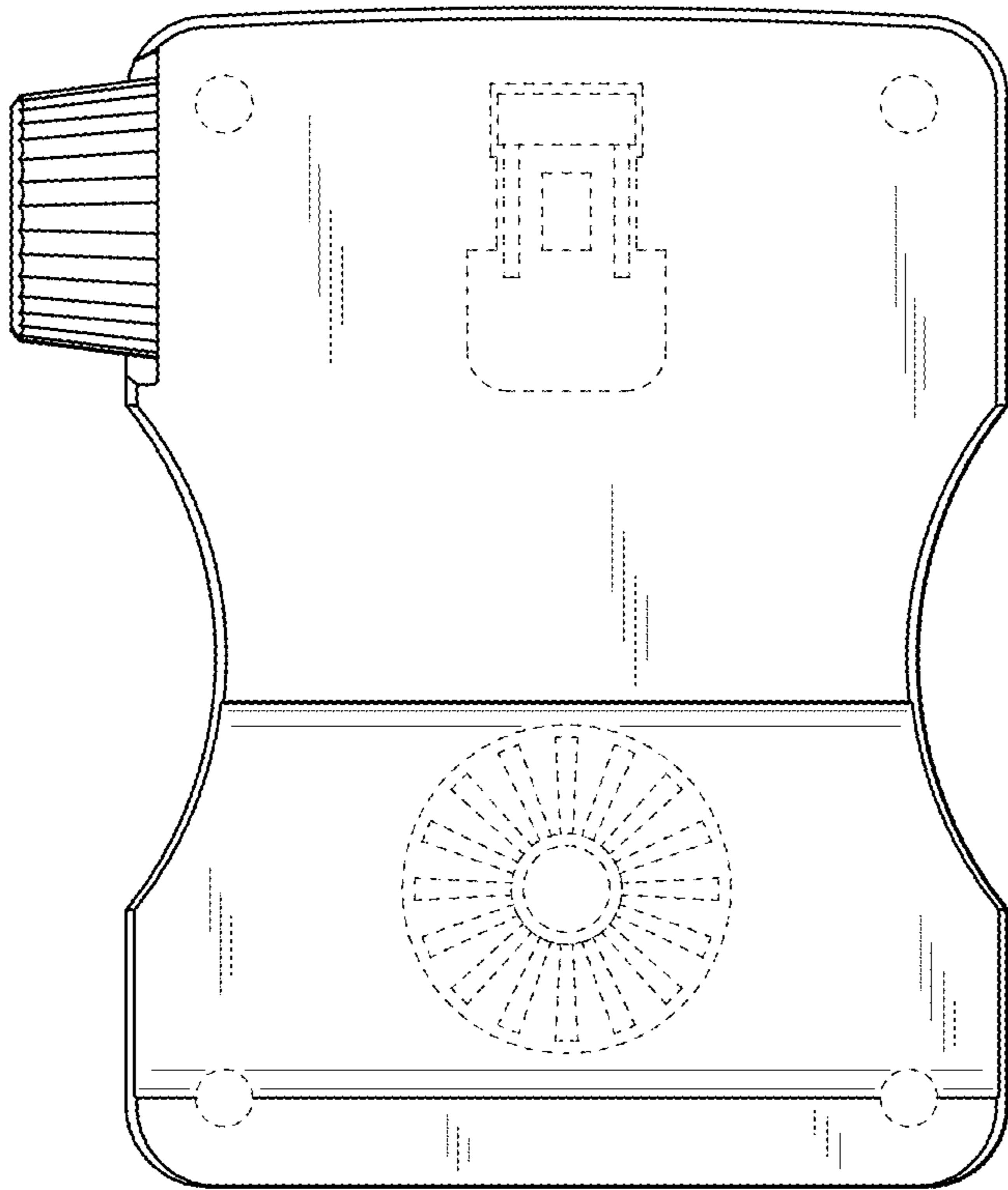


FIG. 5

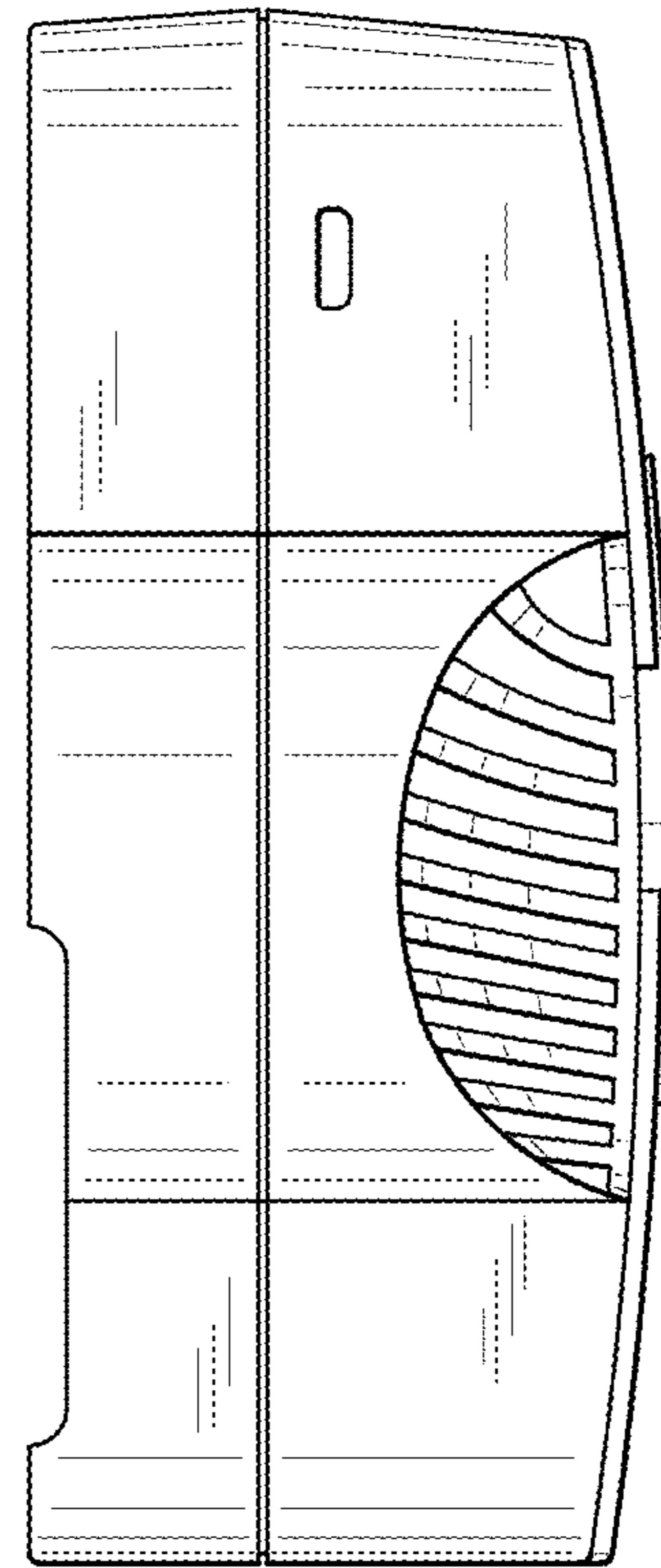


FIG. 6

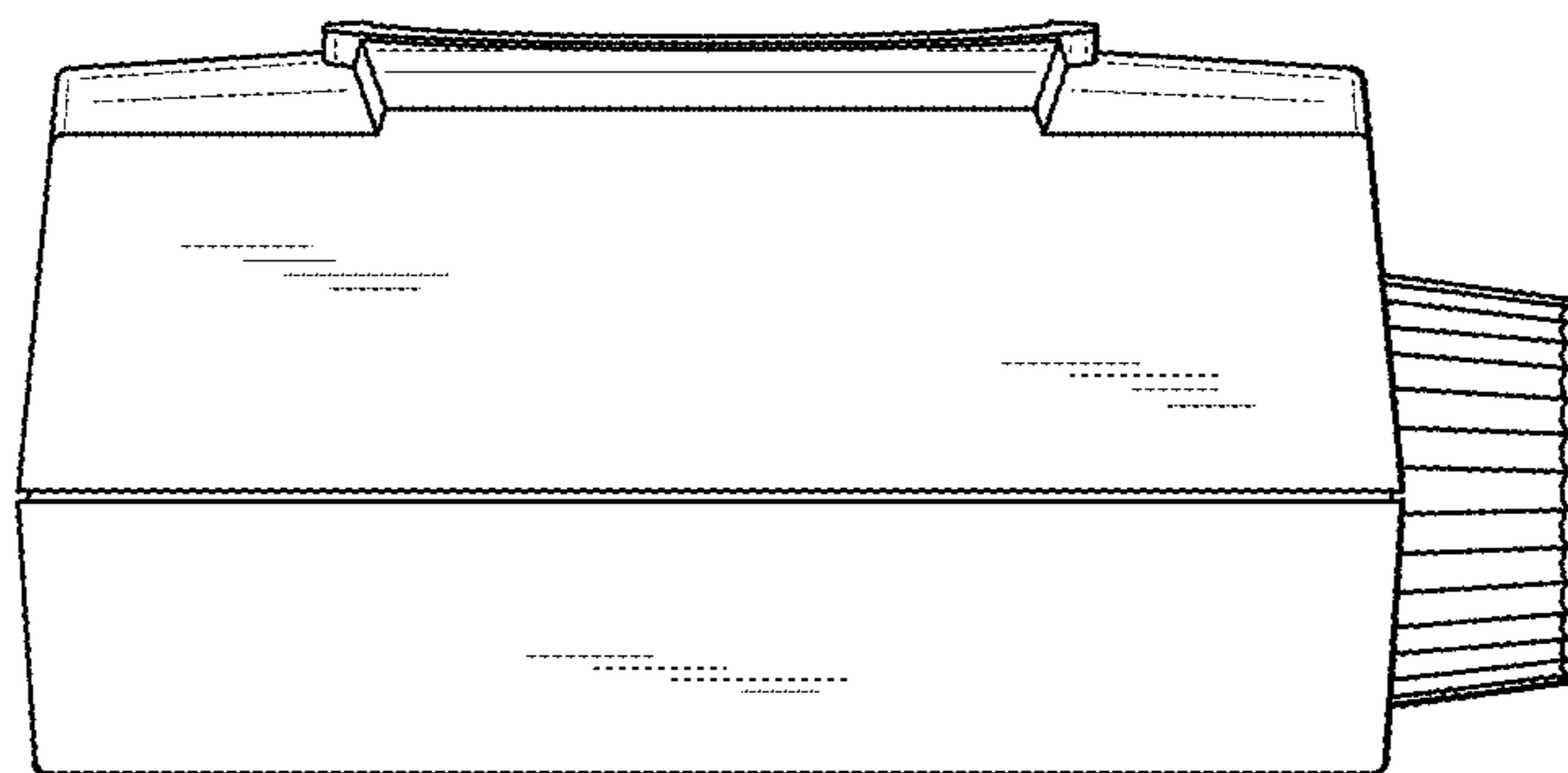


FIG. 7