



US00D914183S

(12) **United States Design Patent**
Pan et al.

(10) **Patent No.:** **US D914,183 S**
(45) **Date of Patent:** **** Mar. 23, 2021**

(54) **AIR CONDITIONER**

(71) Applicants: **GD MIDEA HEATING & VENTILATING EQUIPMENT CO., LTD.**, Foshan (CN); **MIDEA GROUP CO., LTD.**, Foshan (CN)

(72) Inventors: **Chengfei Pan**, Foshan (CN); **Yingqiang Mo**, Foshan (CN); **Shize Li**, Foshan (CN)

(**) Term: **15 Years**

(21) Appl. No.: **29/713,136**

(22) Filed: **Nov. 14, 2019**

(30) **Foreign Application Priority Data**

Sep. 12, 2019 (CN) 201930504155.2

(51) **LOC (13) Cl.** **23-04**

(52) **U.S. Cl.**
USPC **D23/351**

(58) **Field of Classification Search**

USPC D23/333, 351-354, 388
CPC F24F 1/00; F24F 1/0007; F24F 1/02; F24F 1/08; F24F 1/42; F24F 1/56; F24F 1/60; F24F 3/044; F24F 3/048; F24F 3/16; G05D 23/1905; G05D 23/1932; G05D 23/1902; G05D 23/1931; G05B 19/0426; G05B 19/409; G05B 15/02

See application file for complete search history.

(56) **References Cited**

U.S. PATENT DOCUMENTS

D540,452 S * 4/2007 Narayanamurthy D23/351
D604,822 S * 11/2009 Lee D23/351

D629,091 S * 12/2010 Maezawa D23/351
D629,878 S * 12/2010 Kaiser D23/351
D758,309 S * 6/2016 Terada D13/112
D804,000 S * 11/2017 Nomura D23/351
D828,911 S * 9/2018 Murofushi D23/351
D847,321 S * 4/2019 Murofushi D23/351
D847,322 S * 4/2019 Murofushi D23/351
D878,527 S * 3/2020 Qiu D23/351
D883,339 S * 5/2020 Van Ham D15/9
D883,341 S * 5/2020 Van Ham D15/9
D899,463 S * 10/2020 Kangas D15/7

* cited by examiner

Primary Examiner — Natasha Vujcic

(74) *Attorney, Agent, or Firm* — Kilpatrick Townsend & Stockton, LLP

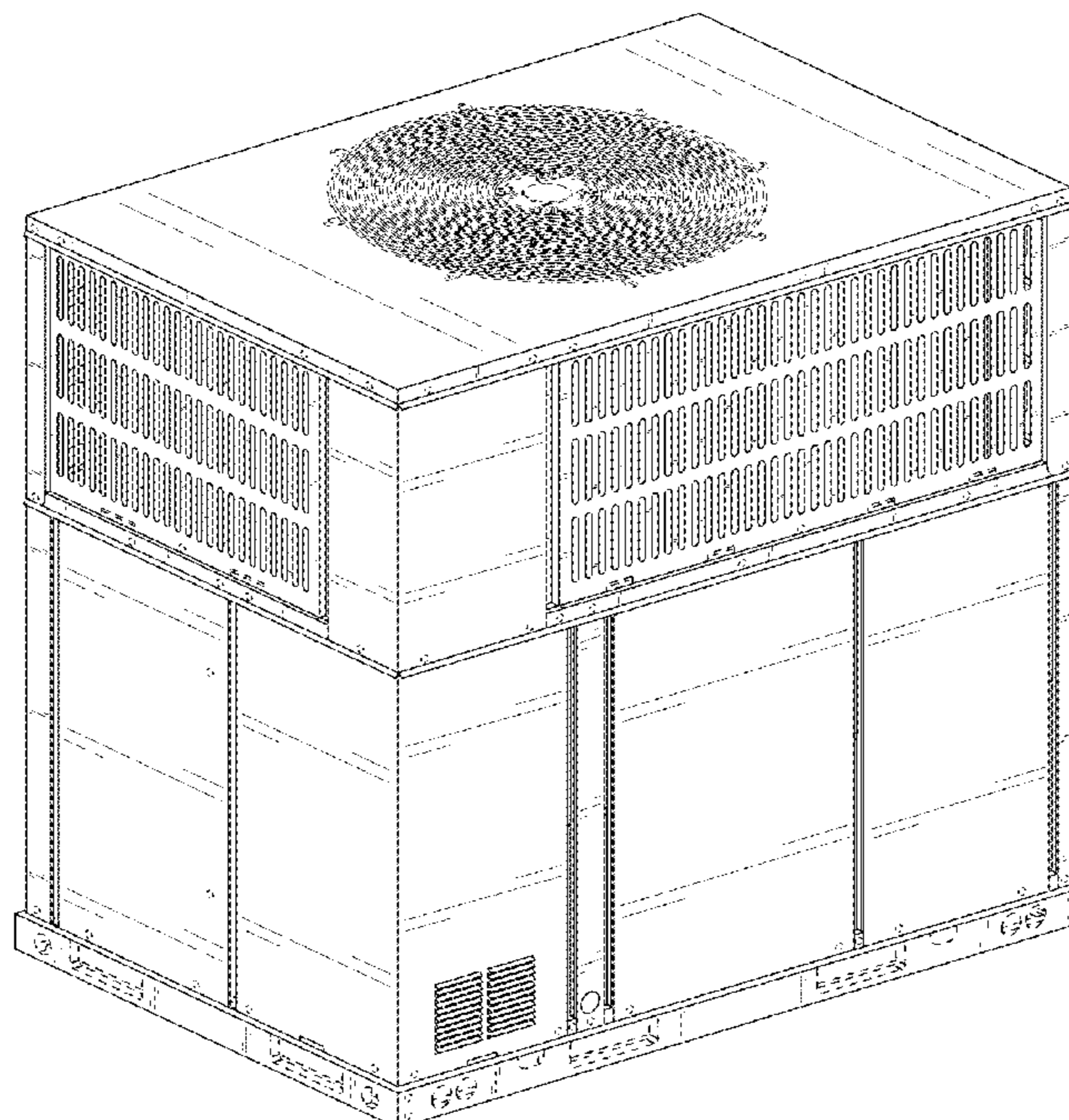
(57) **CLAIM**

The ornamental design of an air conditioner, as shown and described.

DESCRIPTION

FIG. 1 is a front elevation view of an air conditioner, showing our new design;
FIG. 2 is a back elevation view thereof;
FIG. 3 is a left elevation view thereof;
FIG. 4 is a right elevation view thereof;
FIG. 5 is a top plan view thereof;
FIG. 6 is a front perspective view thereof; and,
FIG. 7 is a rear perspective view thereof.
The broken lines in the drawings illustrate portions of the air conditioner which form no part of the claimed design.

1 Claim, 7 Drawing Sheets



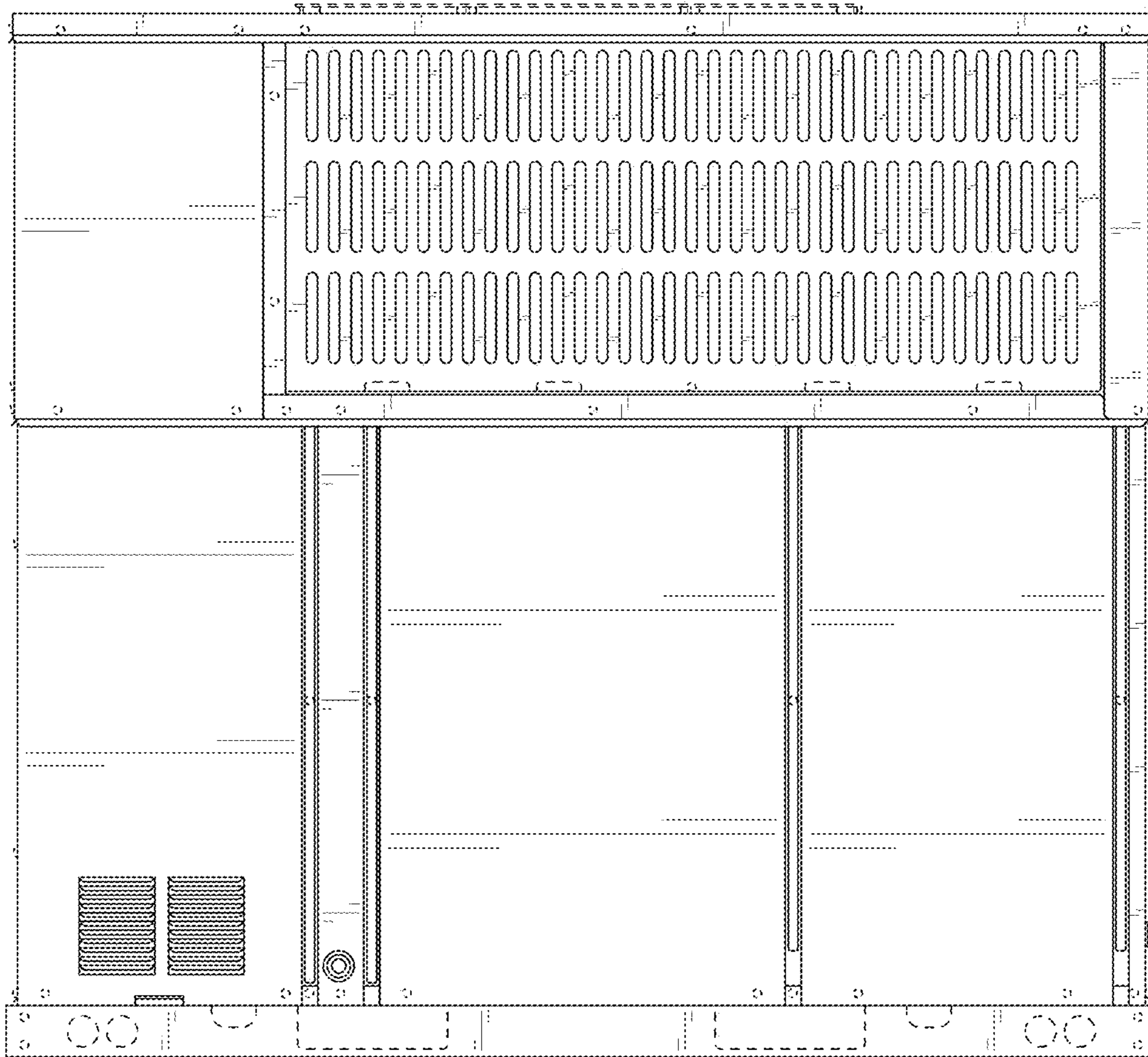


FIG. 1

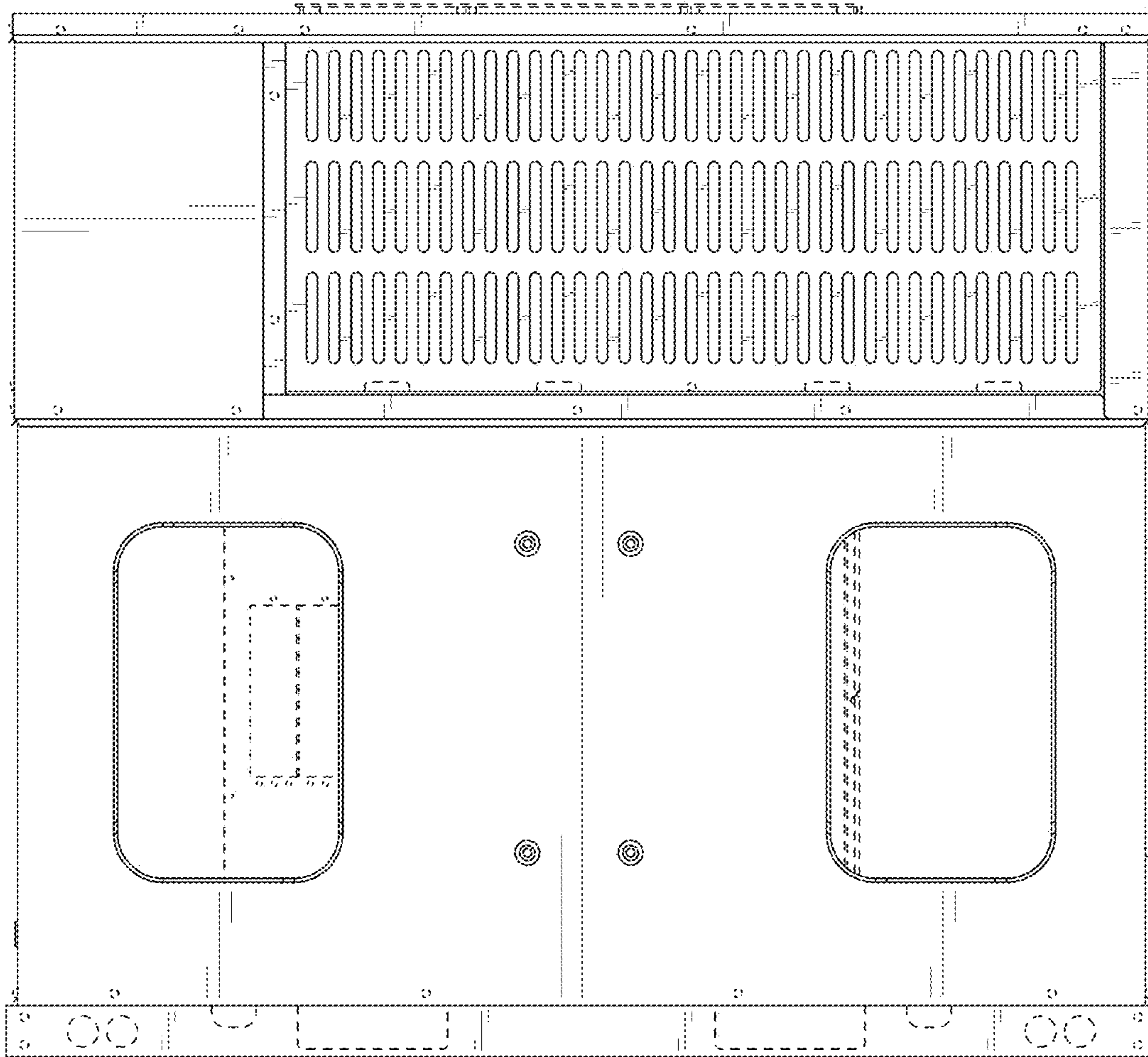


FIG. 2

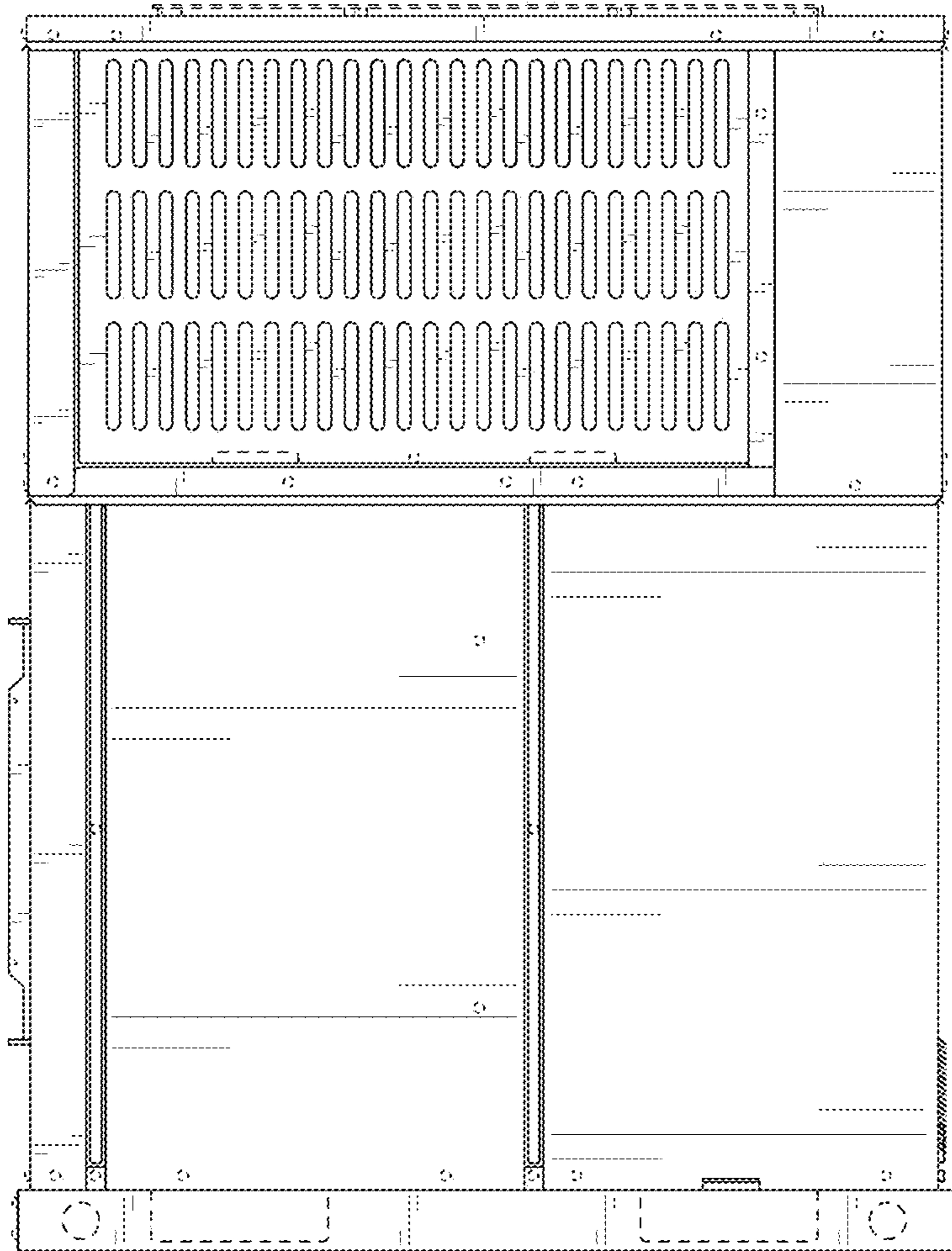


FIG. 3

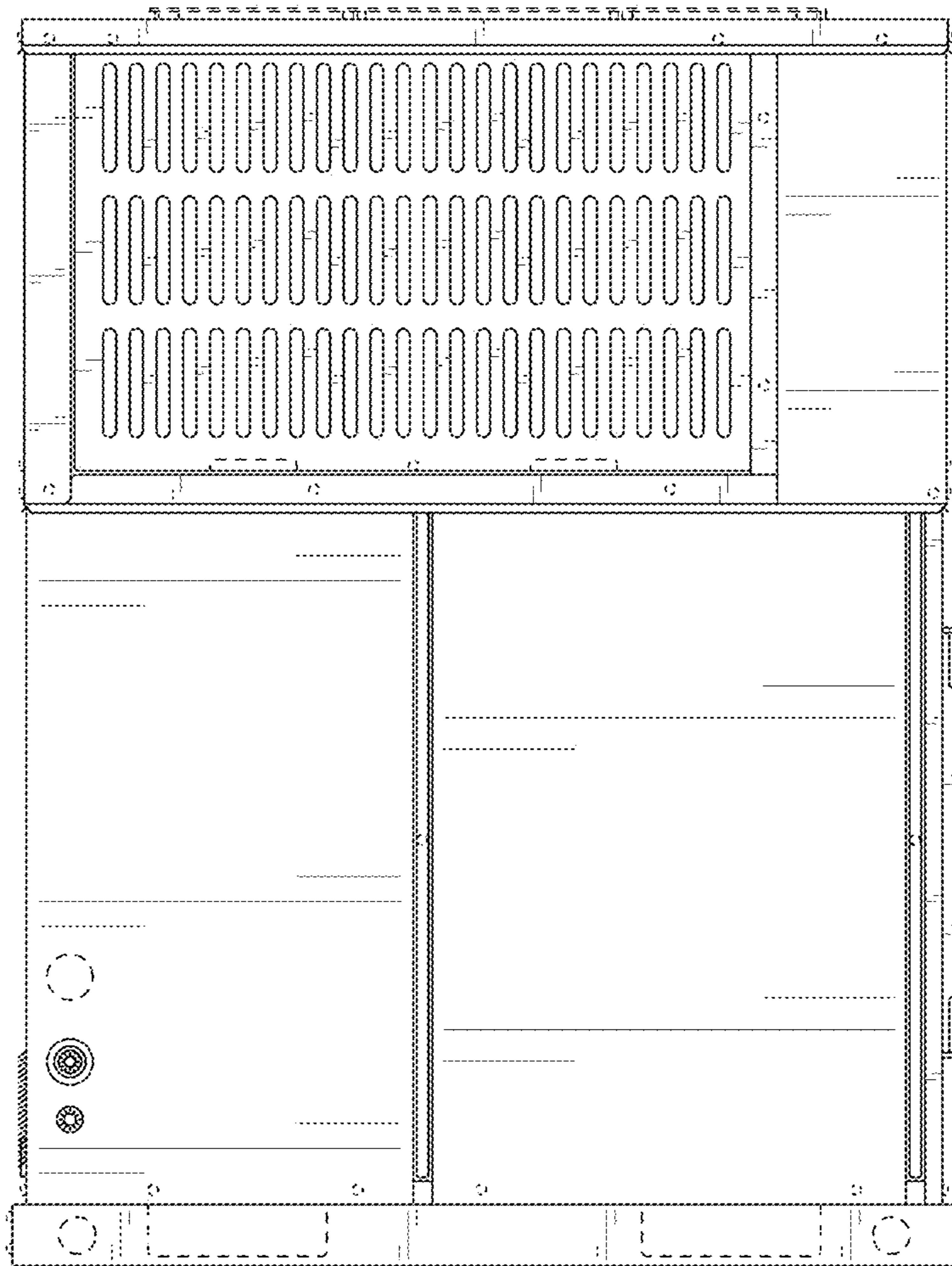


FIG. 4

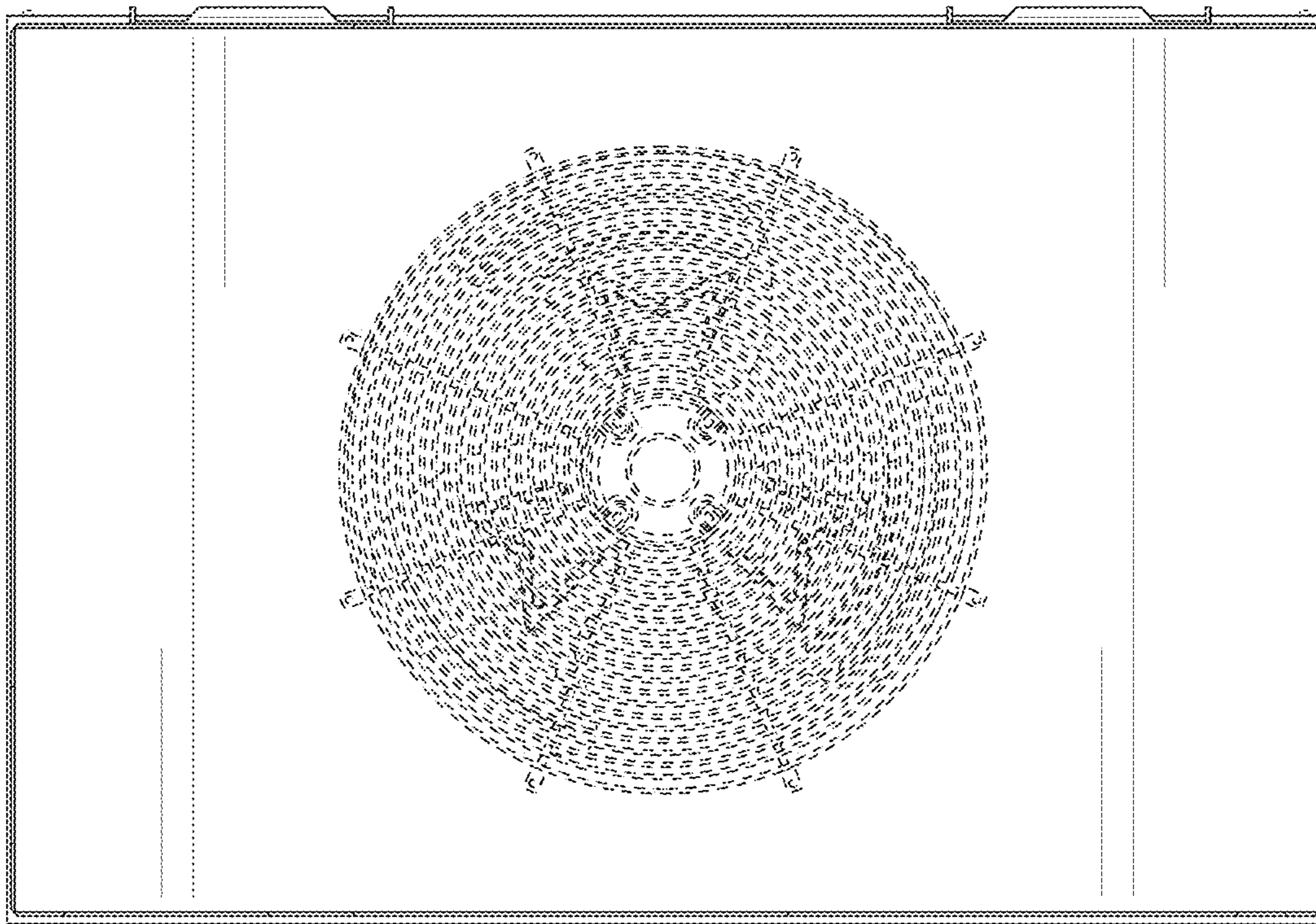


FIG. 5

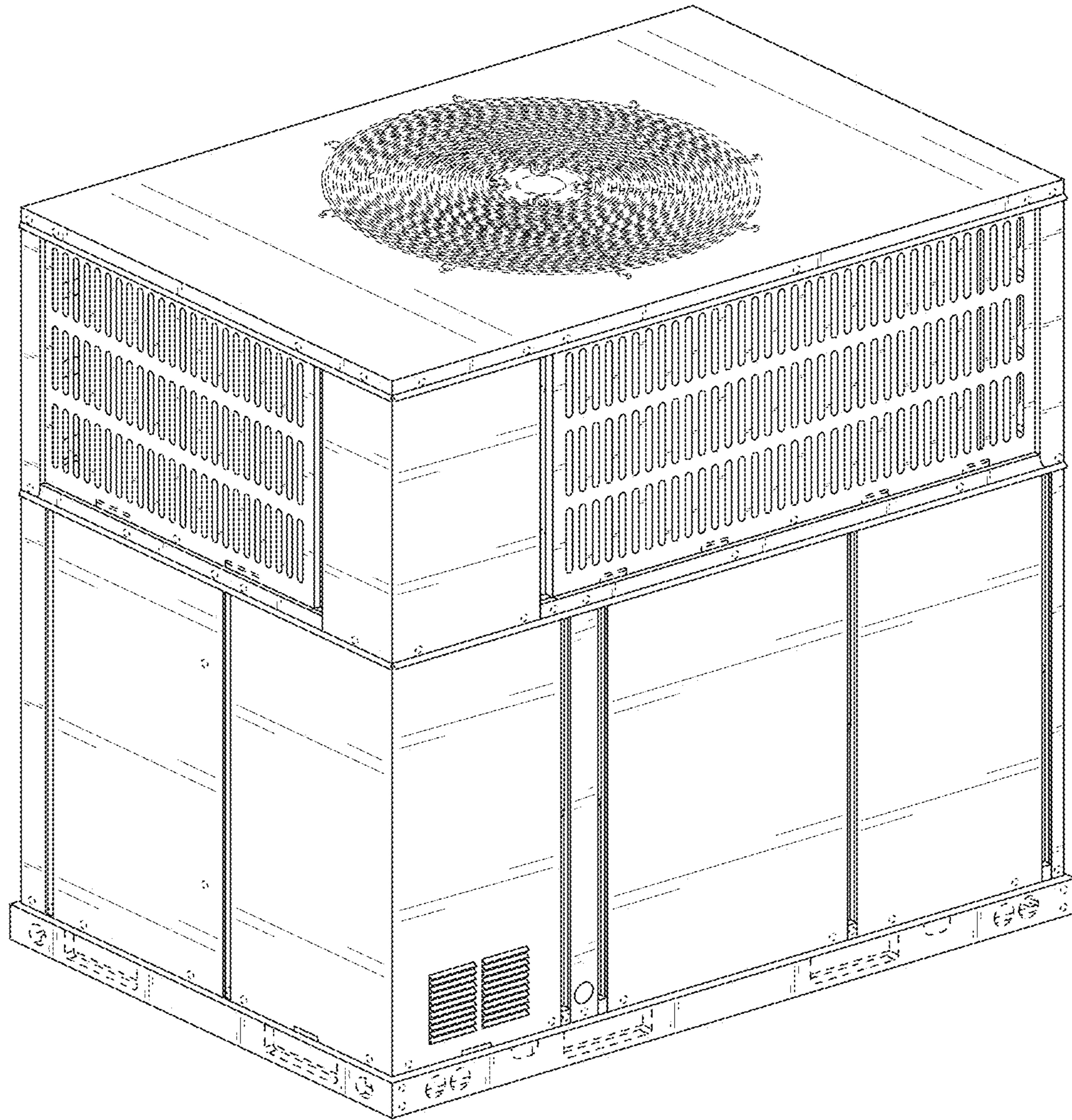


FIG. 6

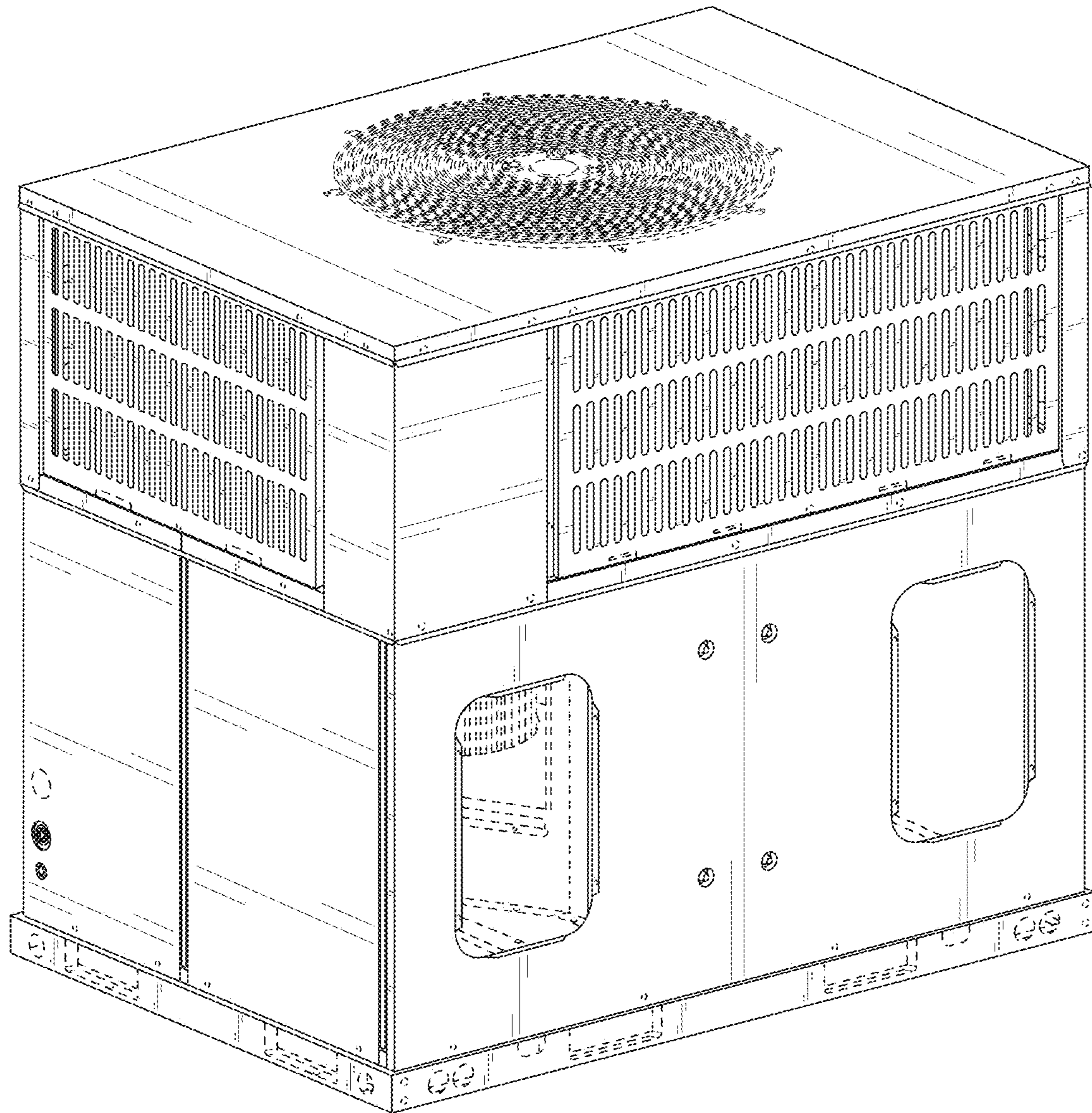


FIG. 7