



US00D914176S

(12) **United States Design Patent** (10) **Patent No.:** **US D914,176 S**
Smith (45) **Date of Patent:** **** Mar. 23, 2021**

(54) **CONCRETE FIRE BOWL**
(71) Applicant: **Zachary Alan Smith**, San Diego, CA (US)
(72) Inventor: **Zachary Alan Smith**, San Diego, CA (US)
(**) Term: **15 Years**
(21) Appl. No.: **29/718,933**
(22) Filed: **Dec. 30, 2019**
(51) **LOC (13) Cl.** **23-03**
(52) **U.S. Cl.**
USPC **D23/343**
(58) **Field of Classification Search**
USPC D23/332, 314, 343, 348, 350, 346, 336, D23/341, 342, 345; D7/332-337, D7/402-405, 352; D8/400, 499, 356, D8/352; D13/156
CPC F24C 1/16; F24C 5/00; F24C 3/14; A47J 33/00; A47J 37/0763; A47J 37/07; F24B 1/18; F24B 1/182; F24B 1/1808; F24B 1/181; F24B 1/195; F24B 1/191
See application file for complete search history.

(56) **References Cited**
U.S. PATENT DOCUMENTS
D186,778 S * 12/1959 Miller et al. D21/564
D296,761 S * 7/1988 Mockett 379/438
D358,980 S * 6/1995 Mockett D8/356
D530,606 S * 10/2006 Liebe D9/440
D540,451 S * 4/2007 Emalfarb D23/348
D615,469 S * 5/2010 Huang D12/190
D667,236 S * 9/2012 Greiner D6/668.2
D718,501 S * 11/2014 Byrne D30/160
D769,148 S * 10/2016 Siegel D11/152
D774,172 S * 12/2016 Zemel D23/343
D796,656 S * 9/2017 Skillman D23/343
D798,099 S * 9/2017 Goossens D7/332

10,746,408 B1 * 8/2020 Goin F23B 7/002
2008/0163863 A1 * 7/2008 Thomas F24C 15/22
126/512
2014/0174427 A1 * 6/2014 Yuen A47J 37/067
126/25 R
2015/0327723 A1 * 11/2015 Leighton A47J 37/0707
126/25 R
2016/0327266 A1 * 11/2016 Le Blanc B67D 7/305
2017/0273503 A1 * 9/2017 Schuitemaker F24C 1/16
2019/0376692 A1 * 12/2019 Seera F24B 1/181
* cited by examiner

Primary Examiner — Ania Aman
(74) *Attorney, Agent, or Firm* — Lewis Kohn & Walker LLP; Kent M. Walker; Kari Moyer-Henry

(57) **CLAIM**
The ornamental design for a concrete fire bowl, as shown and described.

DESCRIPTION
FIG. 1 is a top perspective view of the concrete fire bowl embodied in the present invention;
FIG. 2 is a bottom perspective view of the concrete fire bowl from FIG. 1;
FIG. 3 is a top view of the concrete fire bowl from FIG. 1;
FIG. 4 is a bottom view of the concrete fire bowl from FIG. 1;
FIG. 5 is a side view of the concrete fire bowl from FIG. 1;
FIG. 6 is an end view of the concrete fire bowl of FIG. 1; and,
FIG. 7 is a side perspective view of the concrete fire bowl of FIG. 1.
The broken lines shown in FIGS. 1, 2, 3 and 4 are included for the purpose of illustrating portions of the article that form no part of the claimed design. The broken lines shown in FIG. 7 are included for the purpose of illustrating environmental context and forms no part of the claimed design.

1 Claim, 4 Drawing Sheets

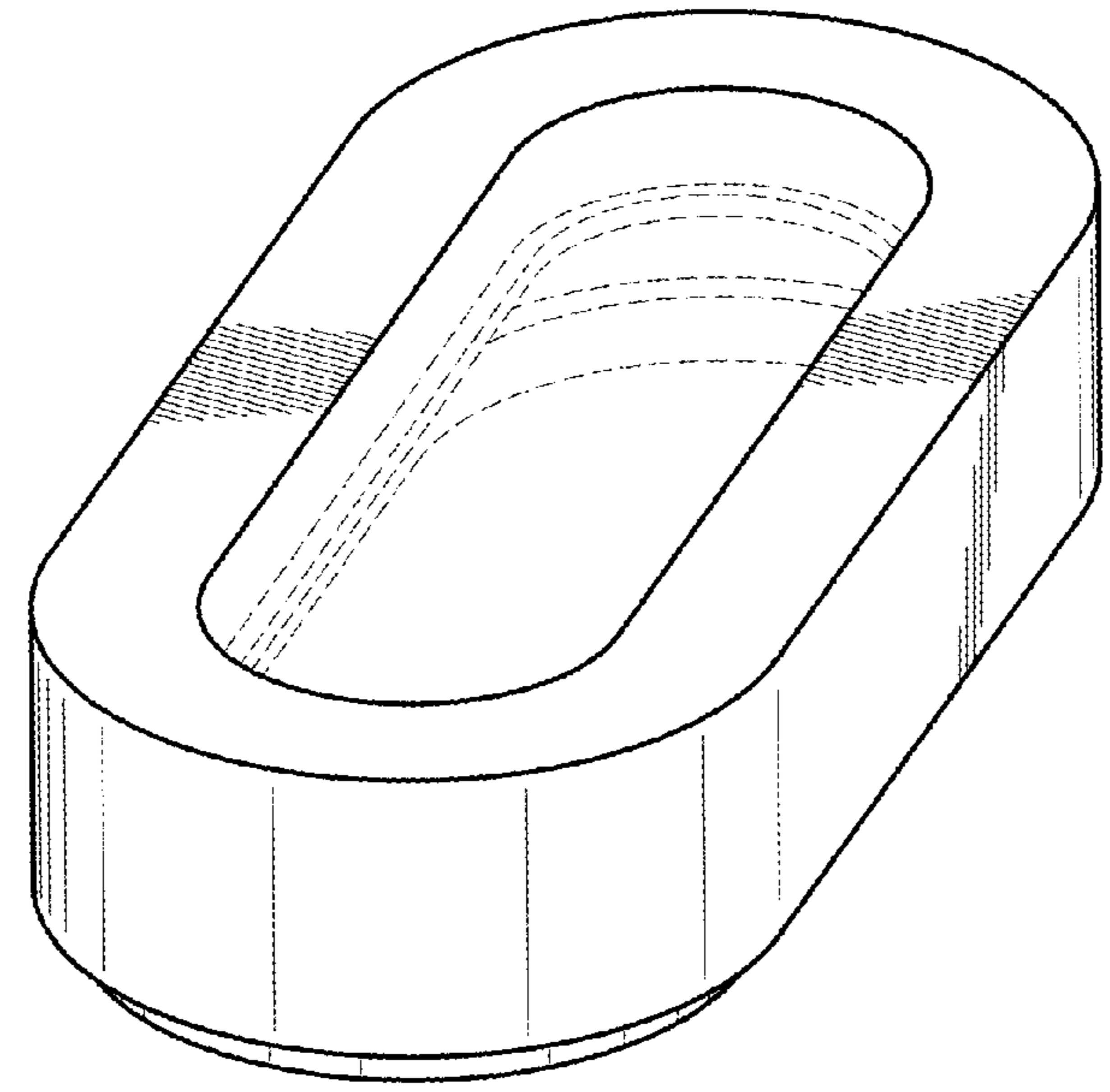


FIG. 1

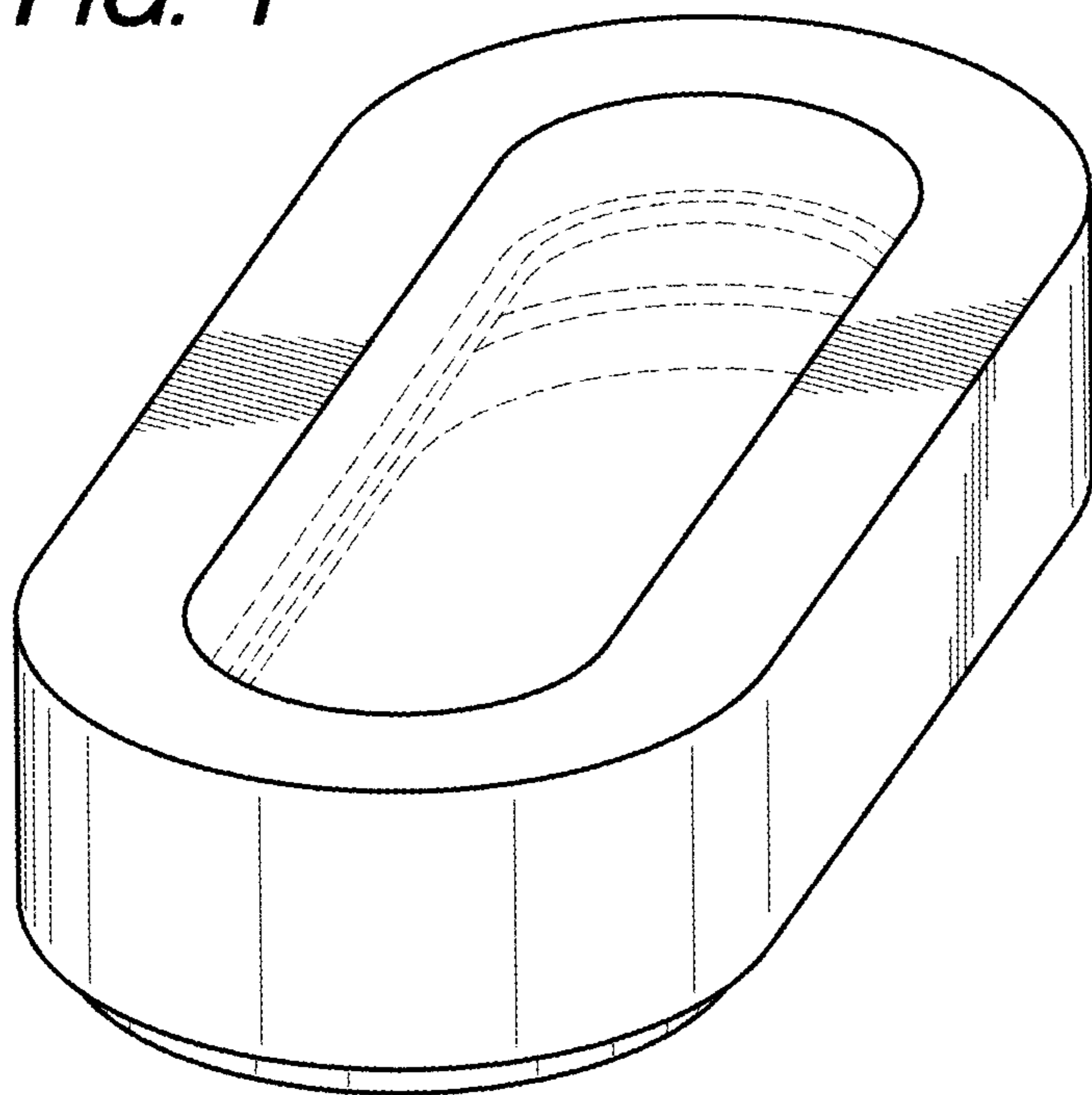
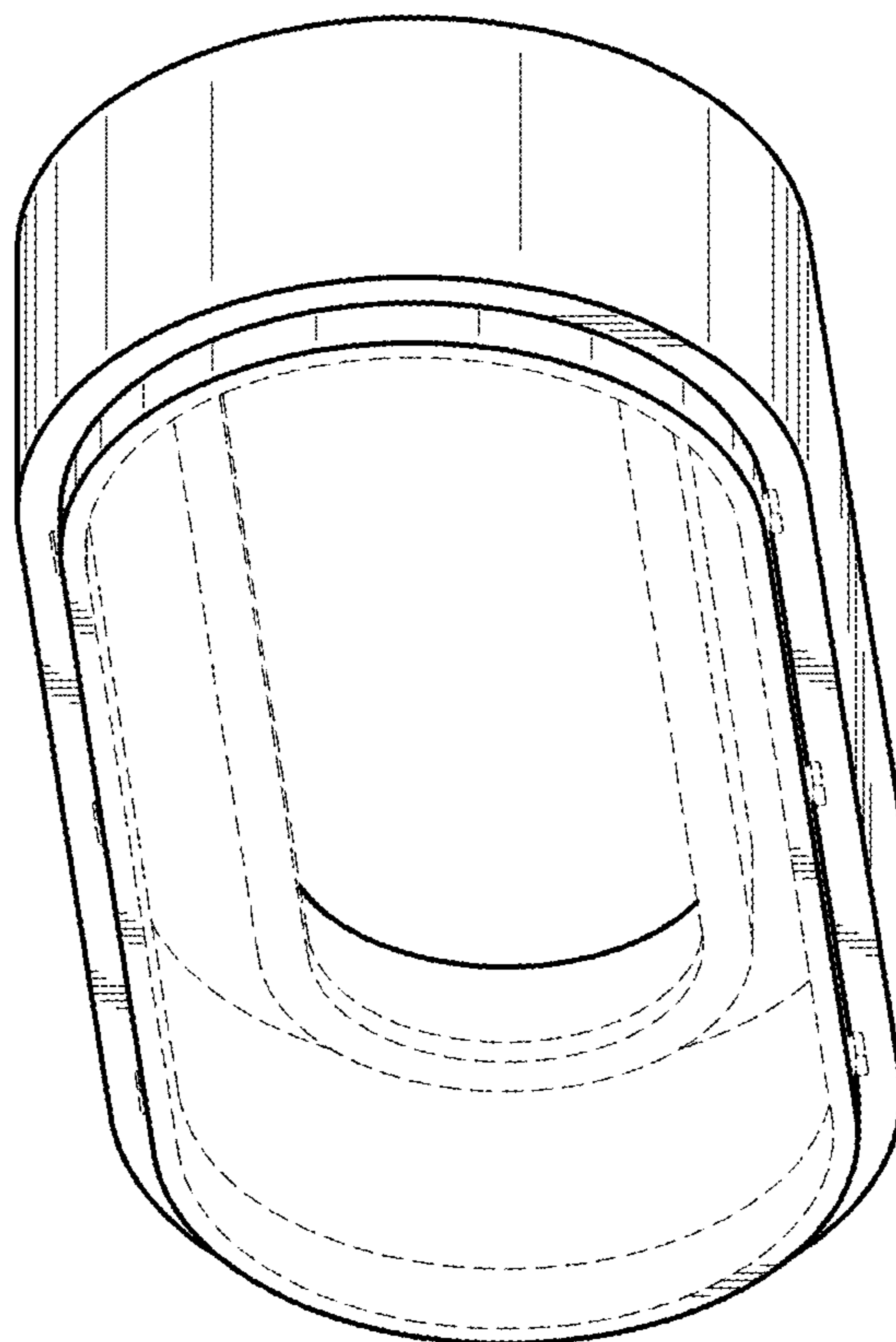


FIG. 2



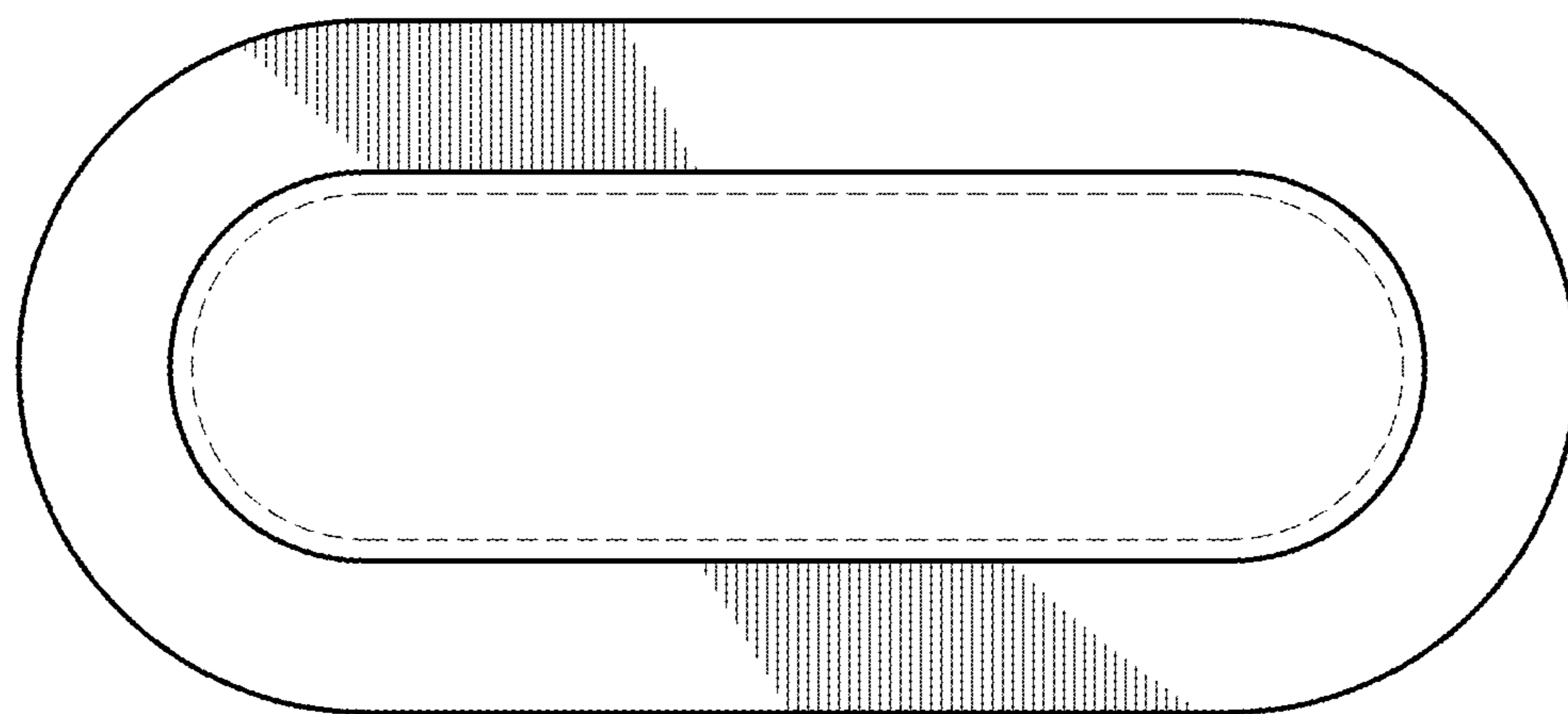


FIG. 3

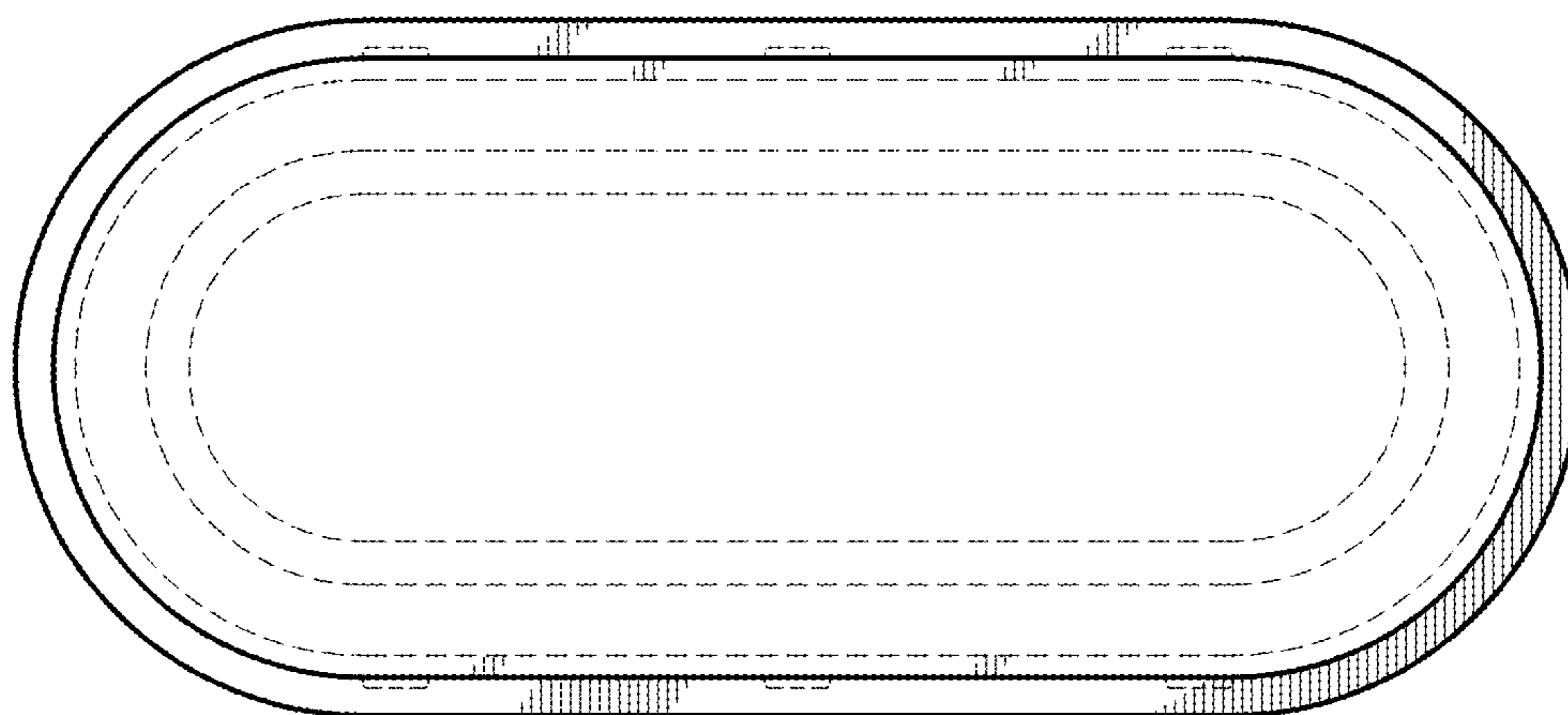


FIG. 4

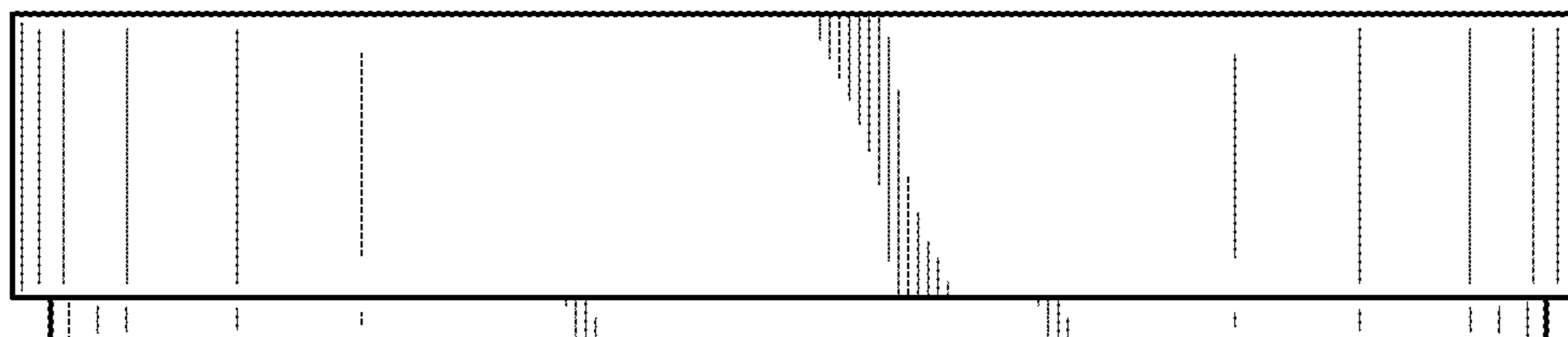


FIG. 5

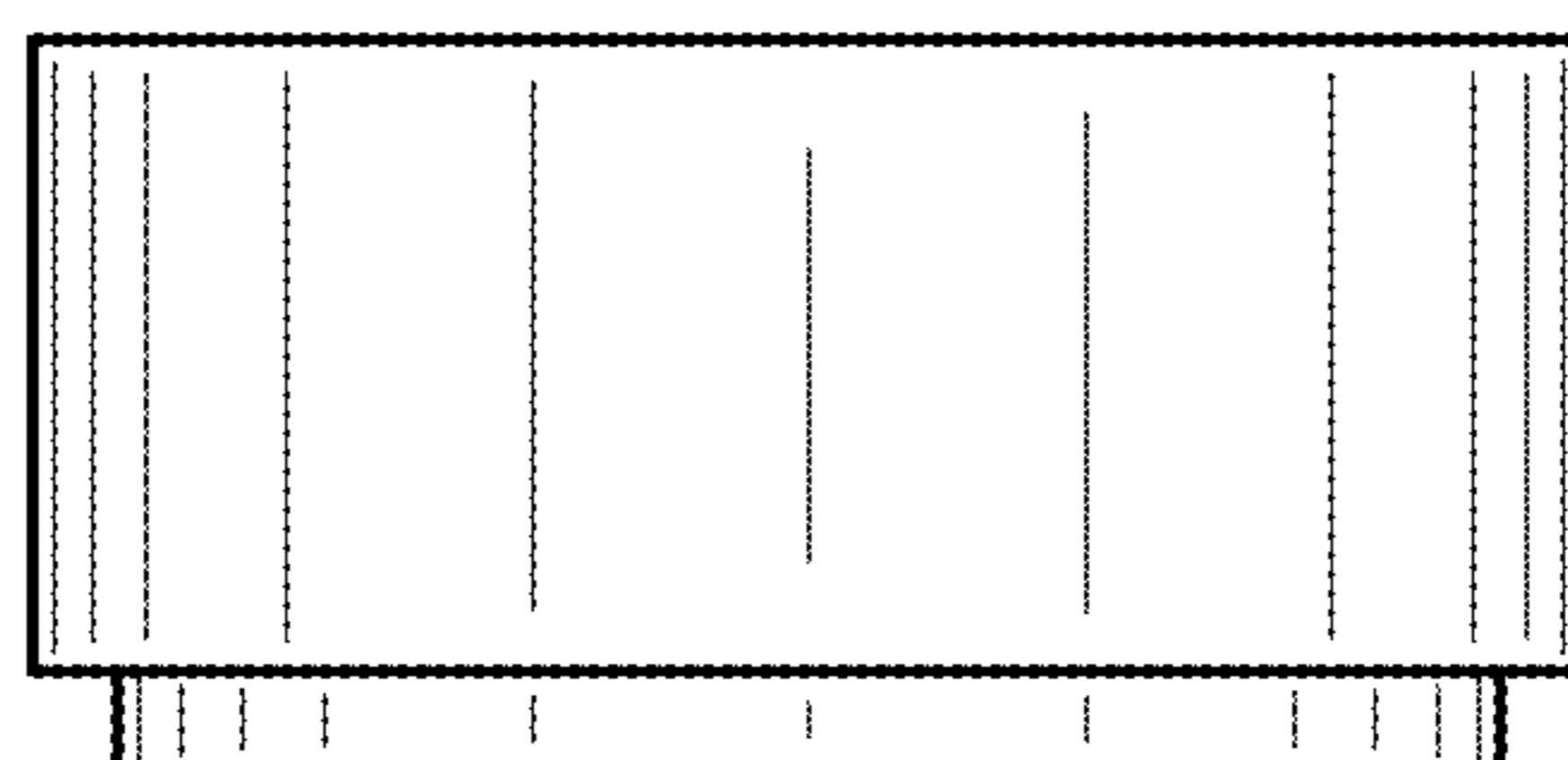


FIG. 6

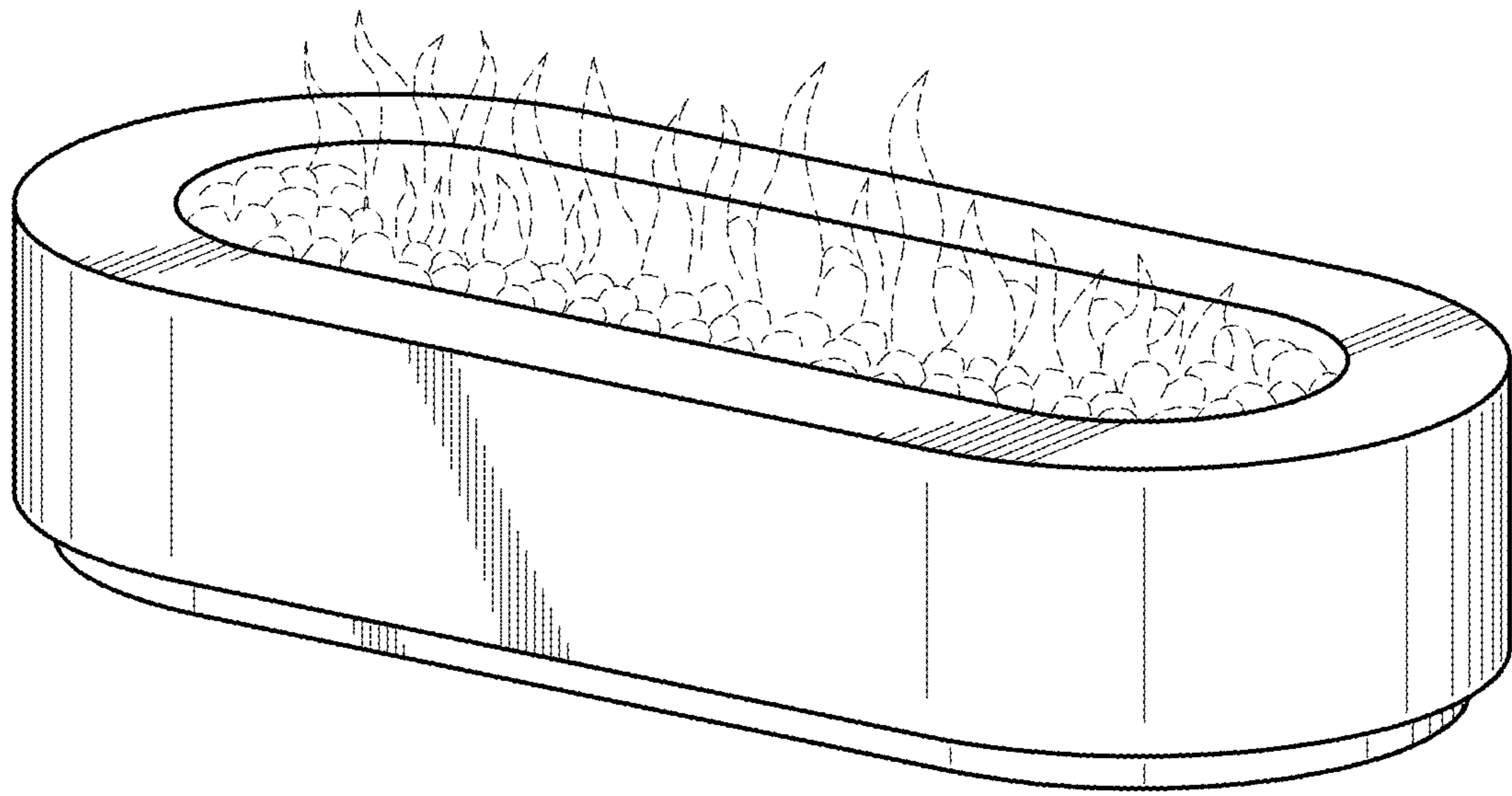


FIG. 7