

US00D914174S

(12) **United States Design Patent** (10) **Patent No.:** **US D914,174 S**
Smith (45) **Date of Patent:** **** Mar. 23, 2021**

(54) **CONCRETE FIRE BOWL**
(71) Applicant: **Zachary Alan Smith**, San Diego, CA (US)
(72) Inventor: **Zachary Alan Smith**, San Diego, CA (US)
(**) Term: **15 Years**
(21) Appl. No.: **29/707,993**
(22) Filed: **Oct. 2, 2019**
(51) **LOC (13) Cl.** **23-03**
(52) **U.S. Cl.**
USPC **D23/343**
(58) **Field of Classification Search**
USPC D23/332, 314, 343, 348, 350, 346, 336, D23/341, 342, 345; D7/332-337, D7/402-405, 352; D11/152, 154
CPC F24C 1/16; F24C 5/00; F24C 3/14; A47J 33/00; A47J 37/0763; A47J 37/07; F24B 1/18; F24B 1/182; F24B 1/1808; F24B 1/181; F24B 1/195; F24B 1/191
See application file for complete search history.

D796,656 S * 9/2017 Skillman D23/343
D814,345 S * 4/2018 Siegel D11/152
D824,704 S * 8/2018 Cully D6/686
D879,520 S * 3/2020 Cully D6/686
10,746,408 B1 * 8/2020 Goin F23B 7/002
2015/0327723 A1 * 11/2015 Leighton A47J 37/0704
126/25 R
2016/0327266 A1 * 11/2016 Le Blanc B67D 7/305
2017/0273503 A1 * 9/2017 Schuitemaker F24C 1/16

* cited by examiner

Primary Examiner — Ania Aman
(74) *Attorney, Agent, or Firm* — Lewis Kohn & Walker LLP; Kent M. Walker; Kari Moyer-Henry

(57) **CLAIM**

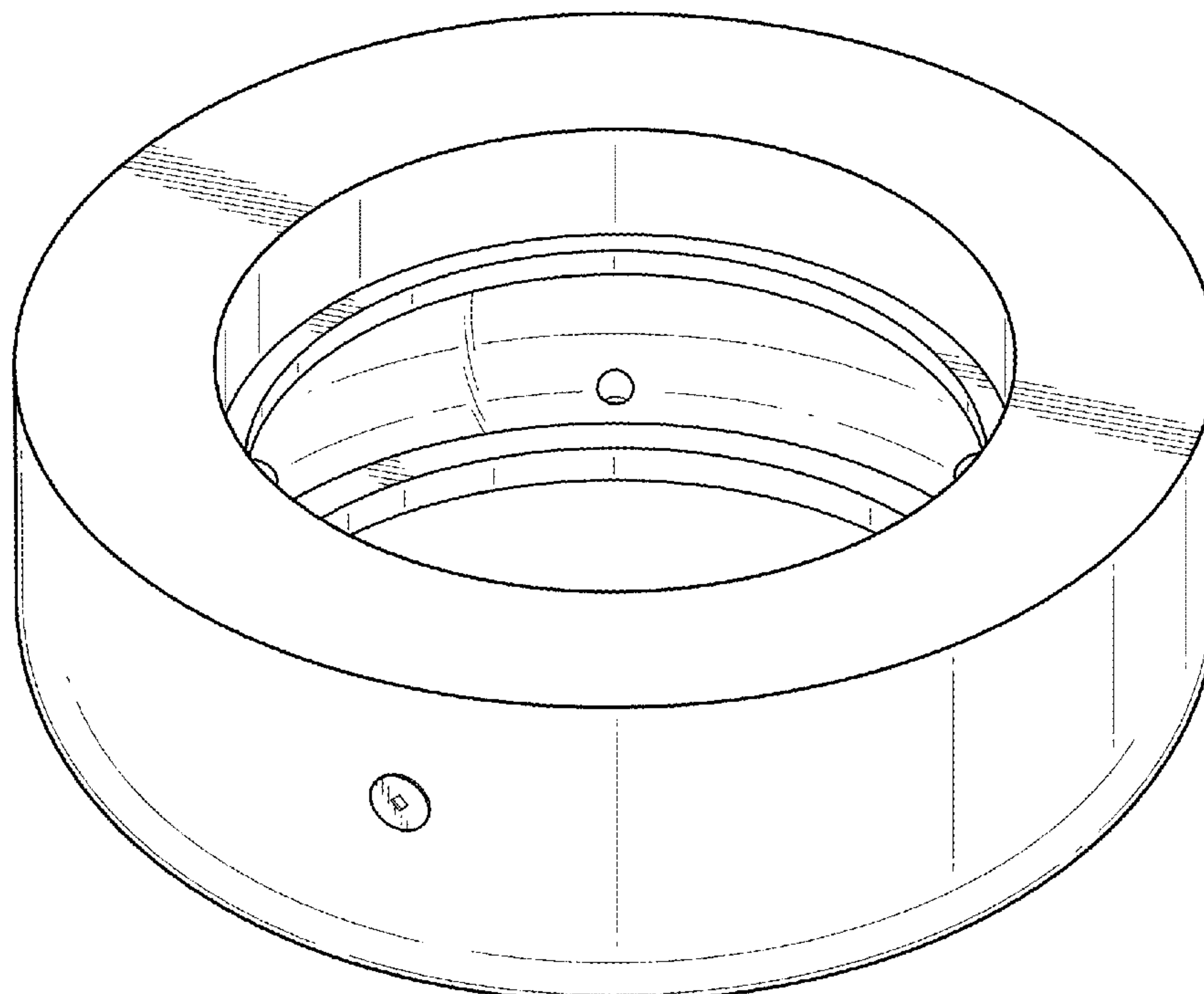
The ornamental design for a concrete fire bowl, as shown and described.

DESCRIPTION

FIG. 1 is a top perspective view of the concrete fire bowl embodied in the present invention;
FIG. 2 is a bottom perspective view of the concrete fire bowl from FIG. 1;
FIG. 3 is a front view of the concrete fire bowl from FIG. 1;
FIG. 4 is a back view of the concrete fire bowl from FIG. 1;
FIG. 5 is a right side view of the concrete fire bowl from FIG. 1;
FIG. 6 is a left side view of the concrete fire bowl of FIG. 1;
FIG. 7 is a top view of the concrete fire bowl of FIG. 1; and, FIG. 8 is a bottom view of the concrete fire bowl of FIG. 1. The dash-dash-dash broken line shown in FIGS. 3 through 6 is included for the purpose of illustrating environmental context and forms no part of the claimed design.

1 Claim, 6 Drawing Sheets

(56) **References Cited**
U.S. PATENT DOCUMENTS
4,722,299 A * 2/1988 Mohr A01K 15/025
119/707
6,055,773 A * 5/2000 Yang A01G 9/02
119/61.1
D540,451 S * 4/2007 Emalfarb D23/348
D718,501 S * 11/2014 Byrne D30/160
D769,148 S * 10/2016 Siegel D11/152



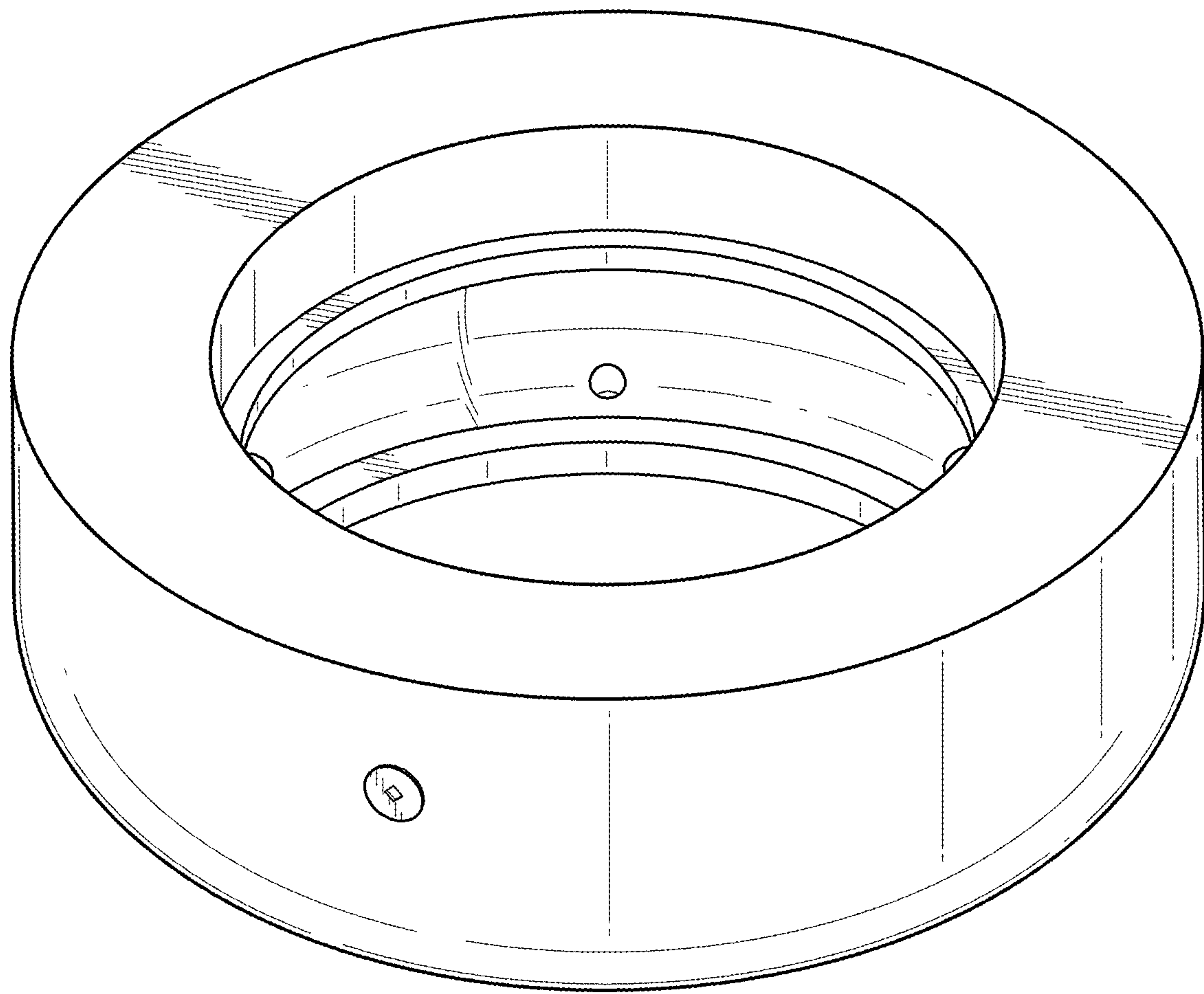


FIG. 1

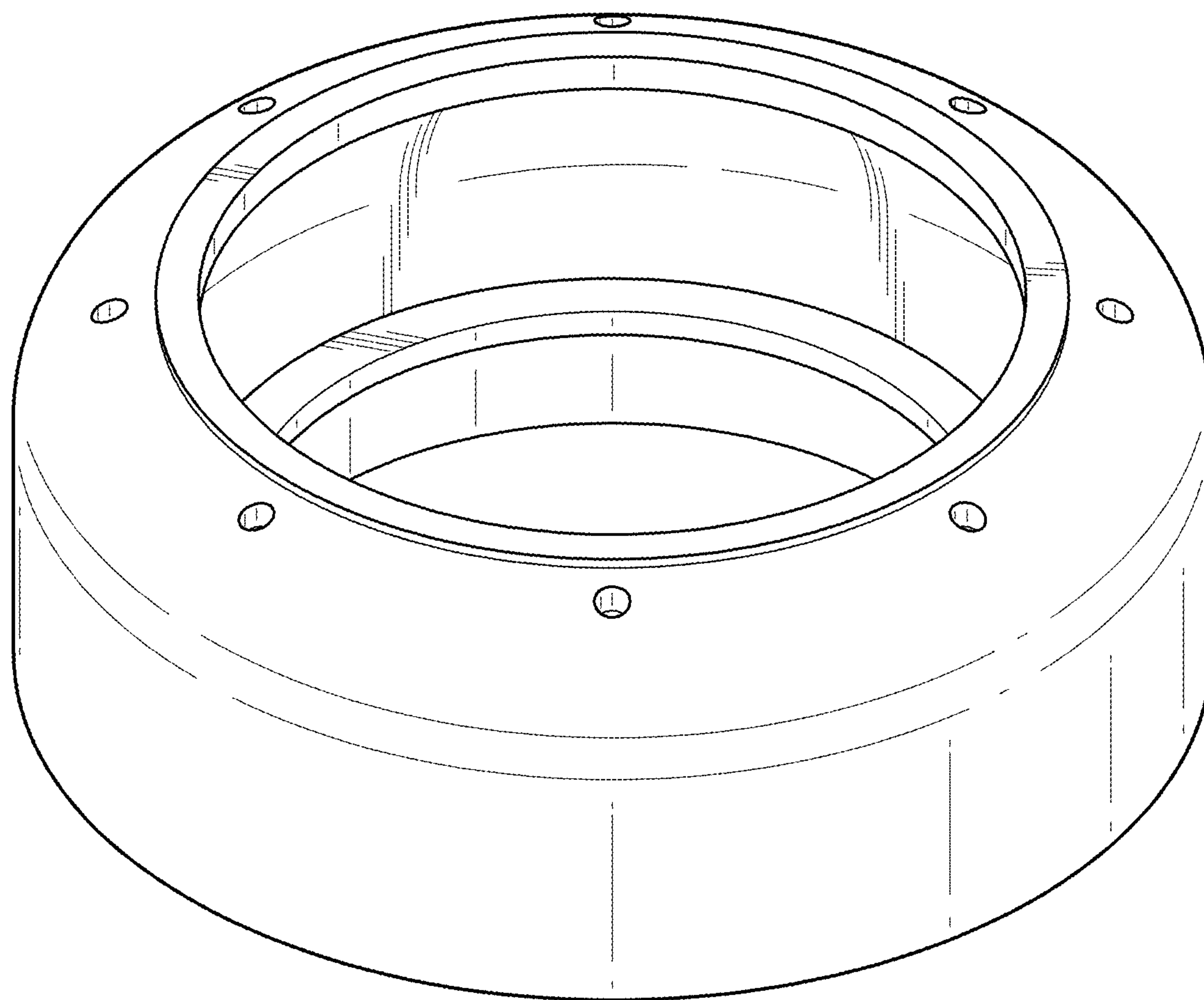


FIG. 2

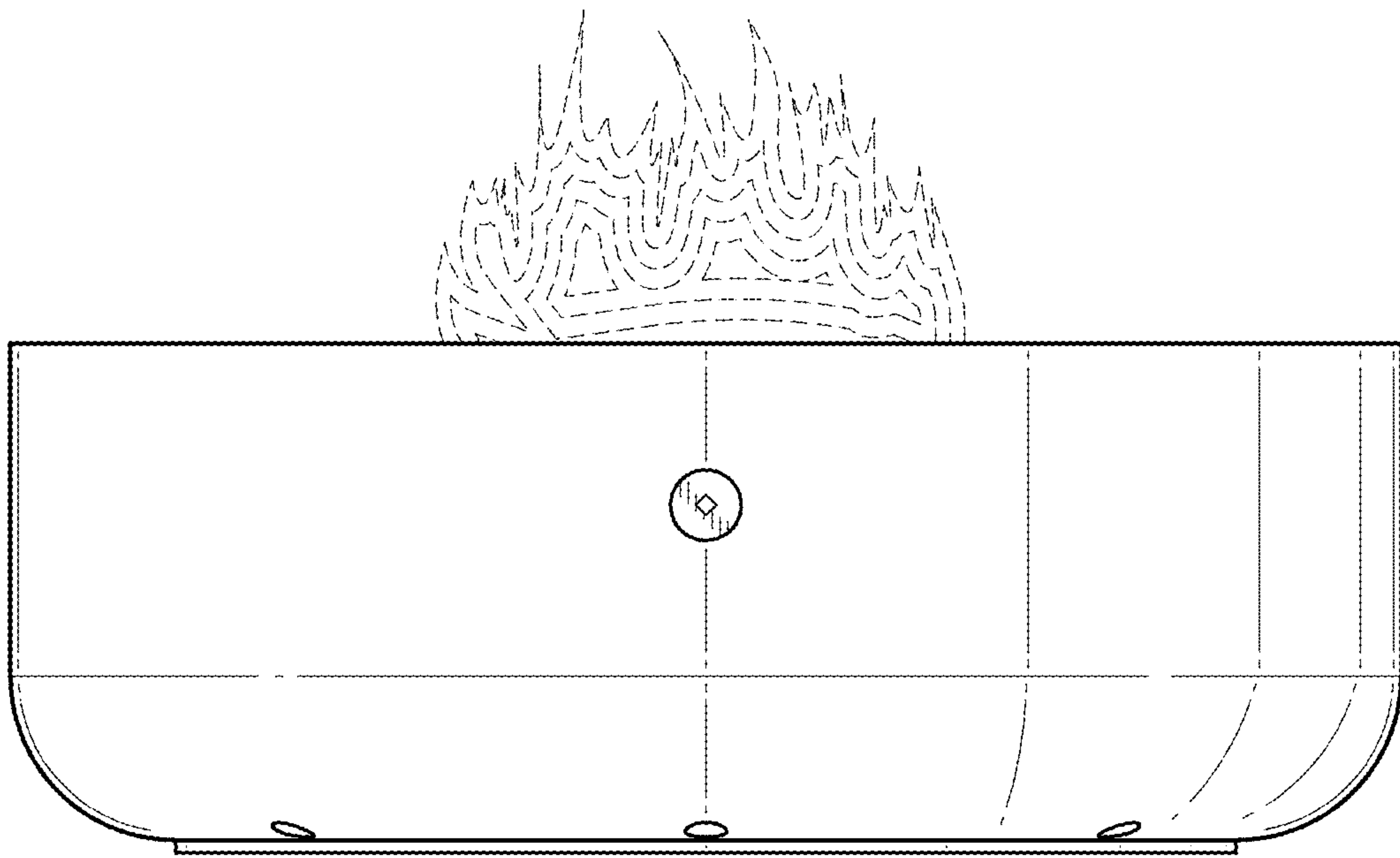


FIG. 3

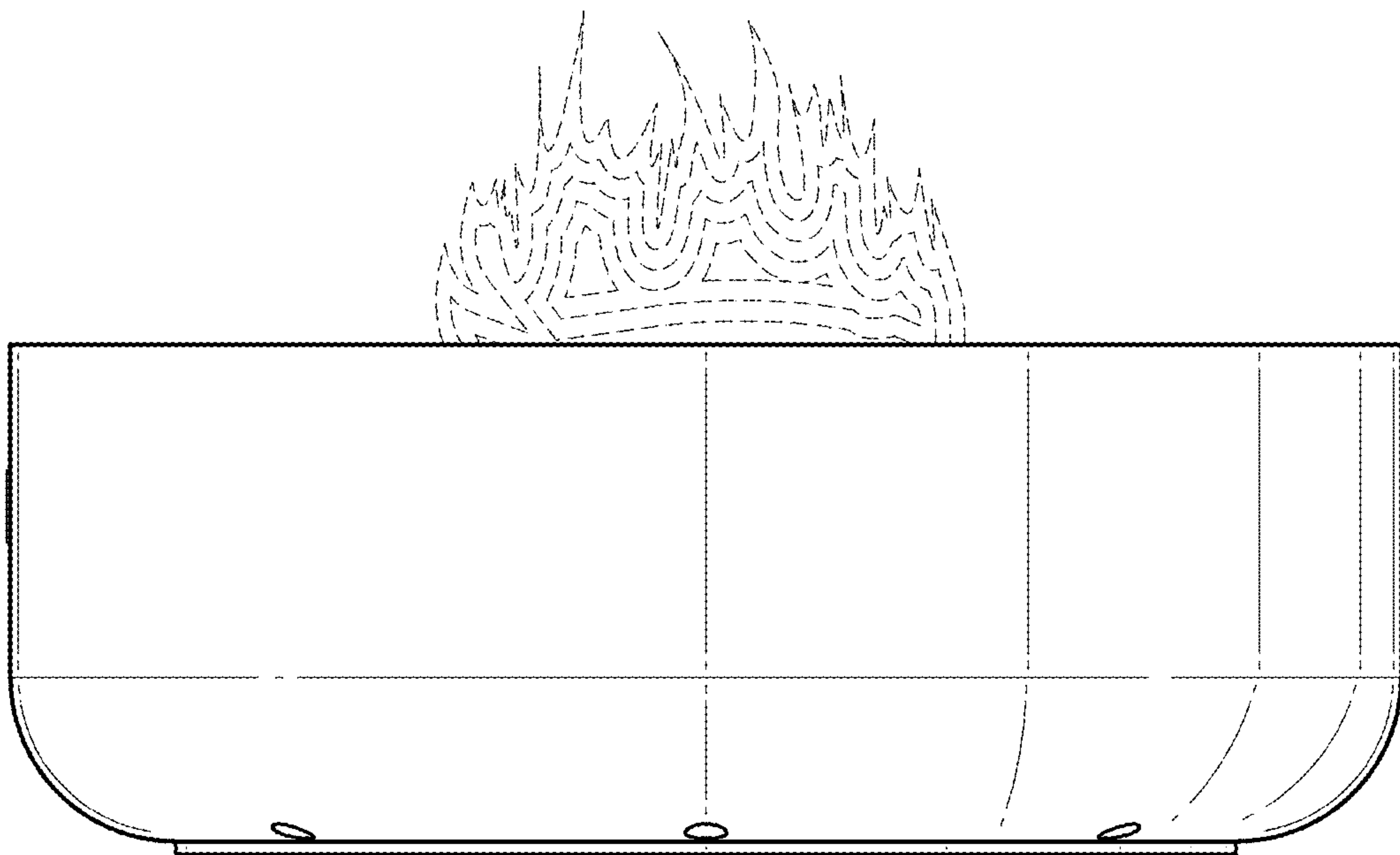


FIG. 4

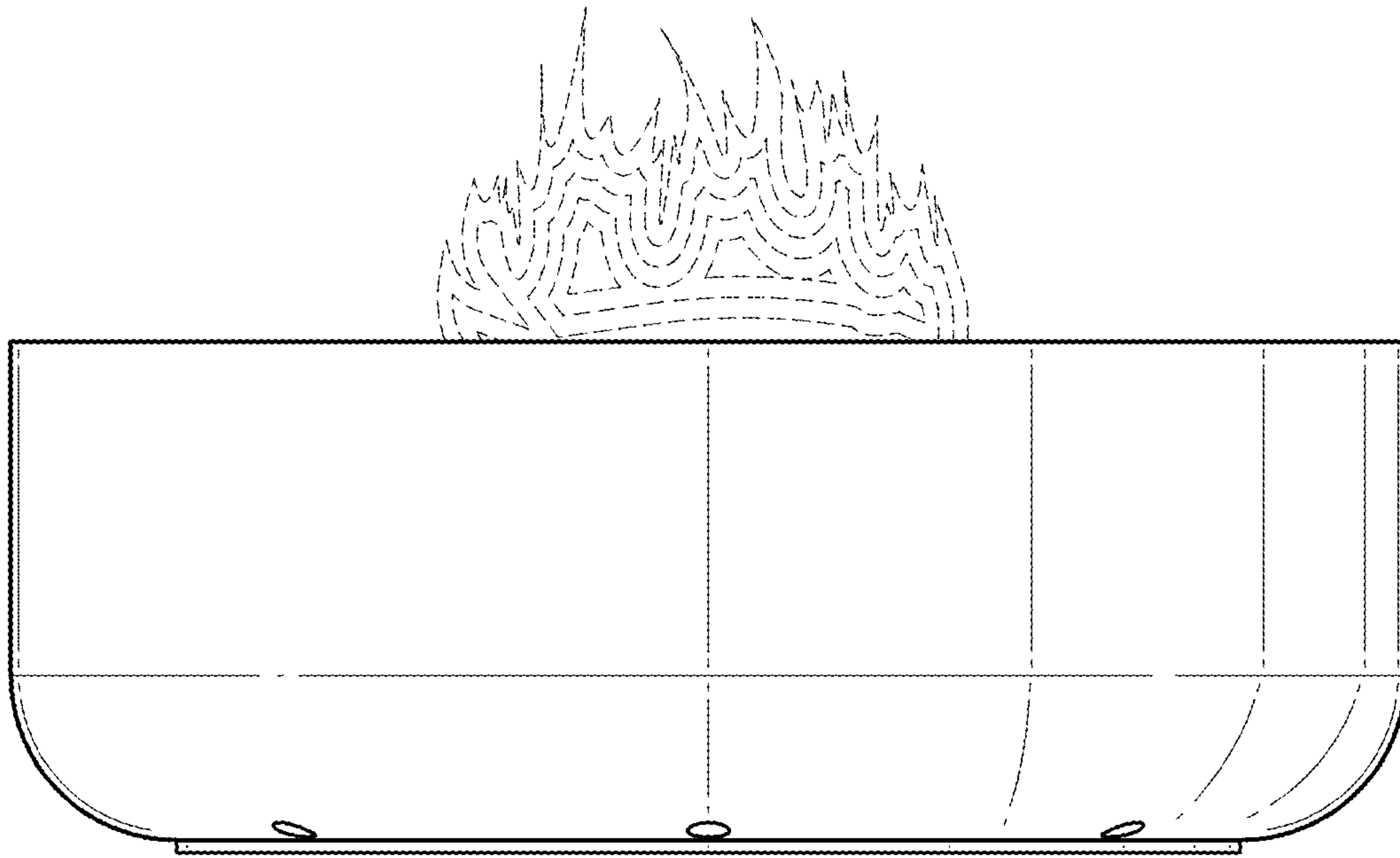


FIG. 5

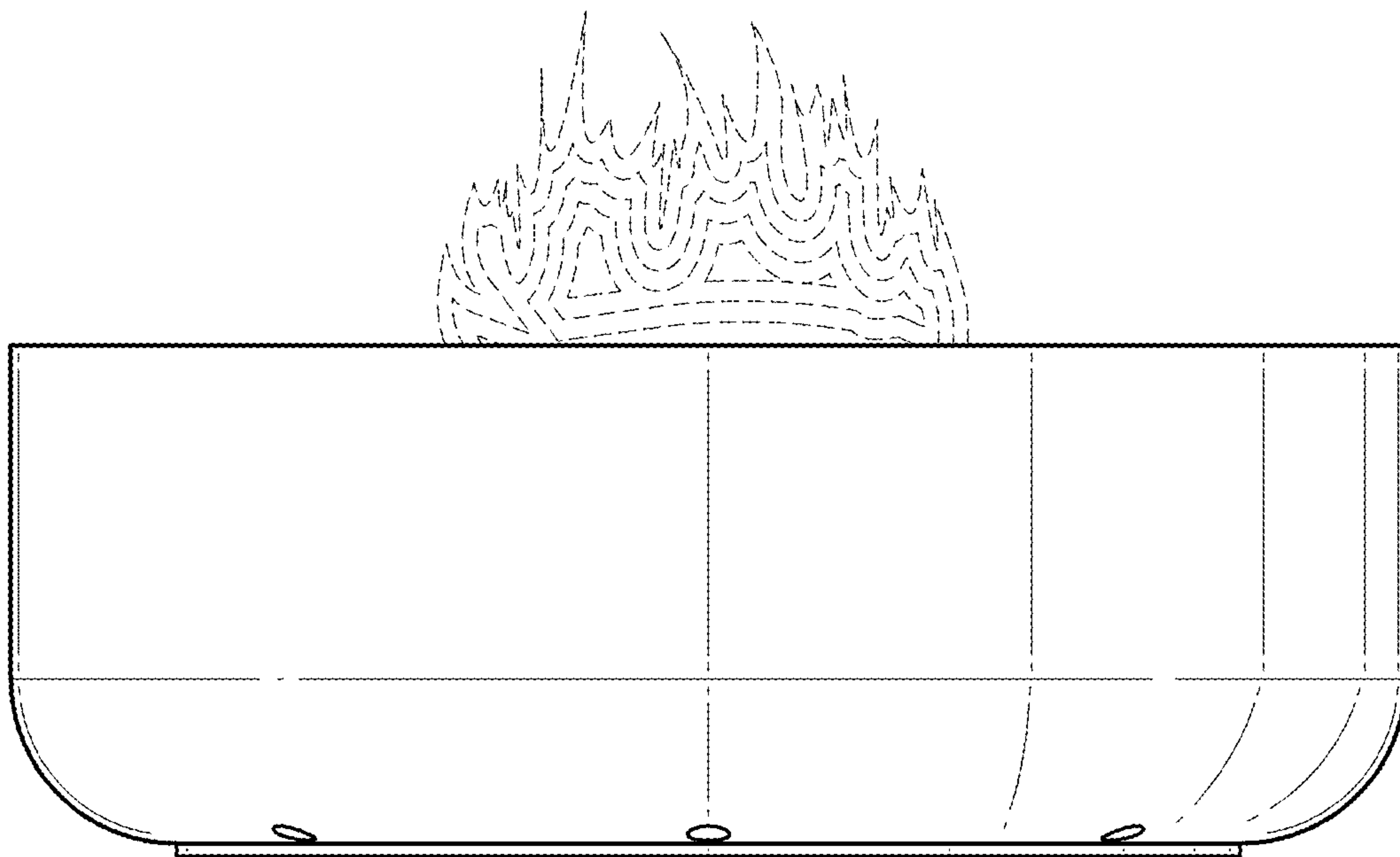


FIG. 6

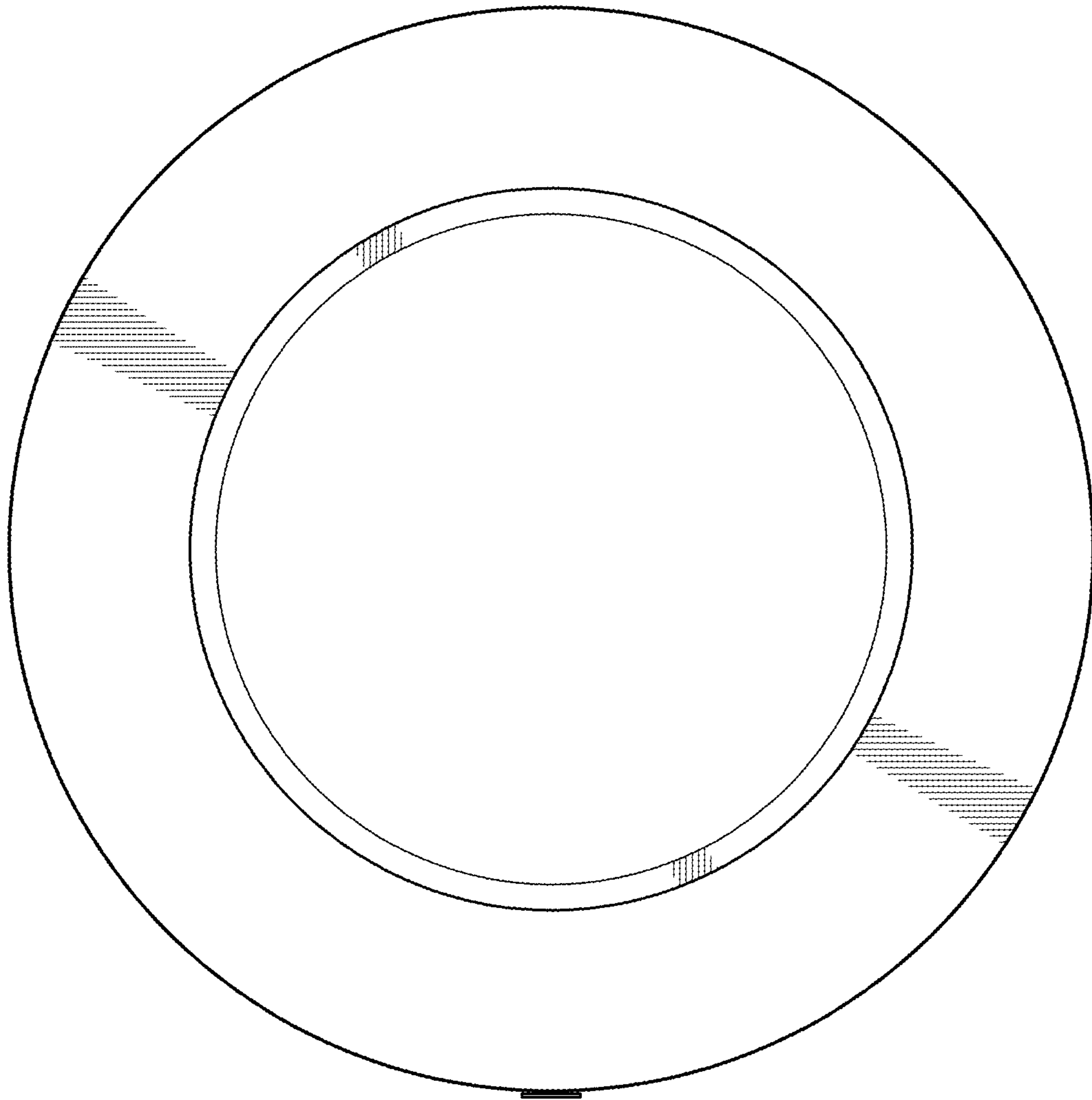


FIG. 7

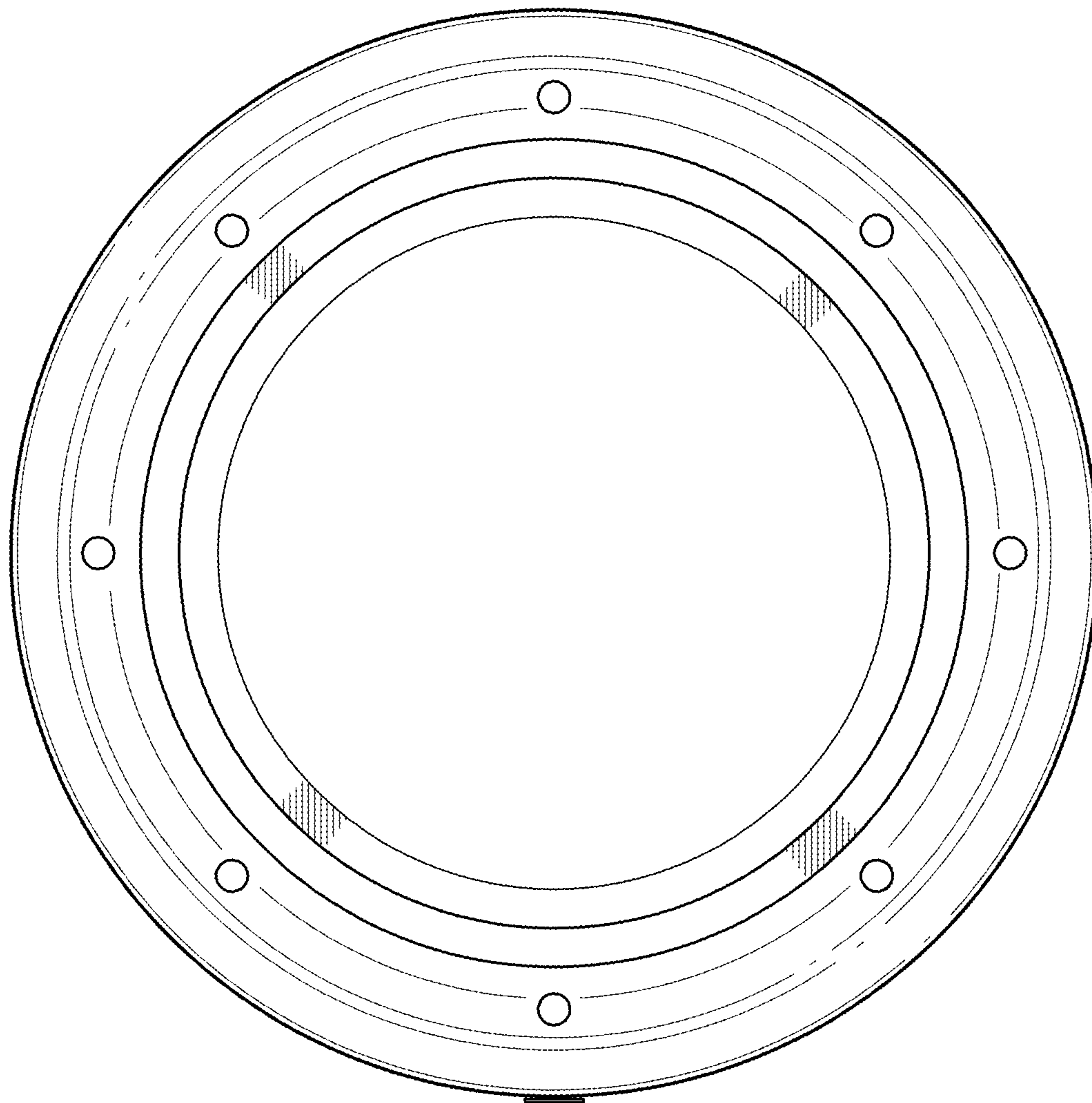


FIG. 8