



US00D914172S

(12) **United States Design Patent** (10) **Patent No.:** **US D914,172 S**
Stoltzfus (45) **Date of Patent:** **** Mar. 23, 2021**

(54) **FIRE PIT**

D264,541 S 5/1982 Bruveris
4,471,751 A 9/1984 Hottenroth et al.
4,548,193 A 10/1985 Marogil
(Continued)

(71) Applicant: **Breeo, LLC**, Kinzers, PA (US)

(72) Inventor: **Amos A. Stoltzfus**, Gordonville, PA (US)

FOREIGN PATENT DOCUMENTS

(73) Assignee: **Breeo, LLC**, Kinzers, PA (US)

DE 10236945 A1 3/2004
WO 2010029567 A2 3/2010

(**) Term: **15 Years**

OTHER PUBLICATIONS

(21) Appl. No.: **29/702,198**

Breeo, LLC, Double Flame 17" Grill & Post, downloaded on Sep. 4, 2019 from <https://breeo.co/collections/double-flame/products/double-flame-17-grill-post>.

(22) Filed: **Aug. 16, 2019**

(Continued)

(51) **LOC (13) Cl.** **23-03**

(52) **U.S. Cl.**

USPC **D23/332**; D23/336

(58) **Field of Classification Search**

USPC D23/332, 314, 343, 348, 350, 346;
D7/332-337, 402-405, 352

CPC F24C 1/16; F24C 5/00; F24C 3/14; A47J
33/00; A47J 37/0763; A47J 37/07; F24B
1/18; F24B 1/182; F24B 1/1808; F24B
1/181; F24B 1/195; F24B 1/191

See application file for complete search history.

Primary Examiner — Ania Aman

(74) *Attorney, Agent, or Firm* — Zollinger & Burleson, Ltd.

(57) **CLAIM**

The ornamental design for a fire pit, as shown and described.

DESCRIPTION

FIG. 1 is an upper perspective view of a fire pit showing my new design.

FIG. 2 is another upper perspective of a fire pit taken along line 2-2 of FIG. 4.

FIG. 3 is a lower perspective view thereof.

FIG. 4 is a front elevation view thereof.

FIG. 5 is a left side elevation view thereof.

FIG. 6 is a right side elevation view thereof.

FIG. 7 is a rear elevation view thereof.

FIG. 8 is a top plan view thereof.

FIG. 9 is a top plan view taken along line 9-9 of FIG. 4; and, FIG. 10 is a bottom plan view thereof.

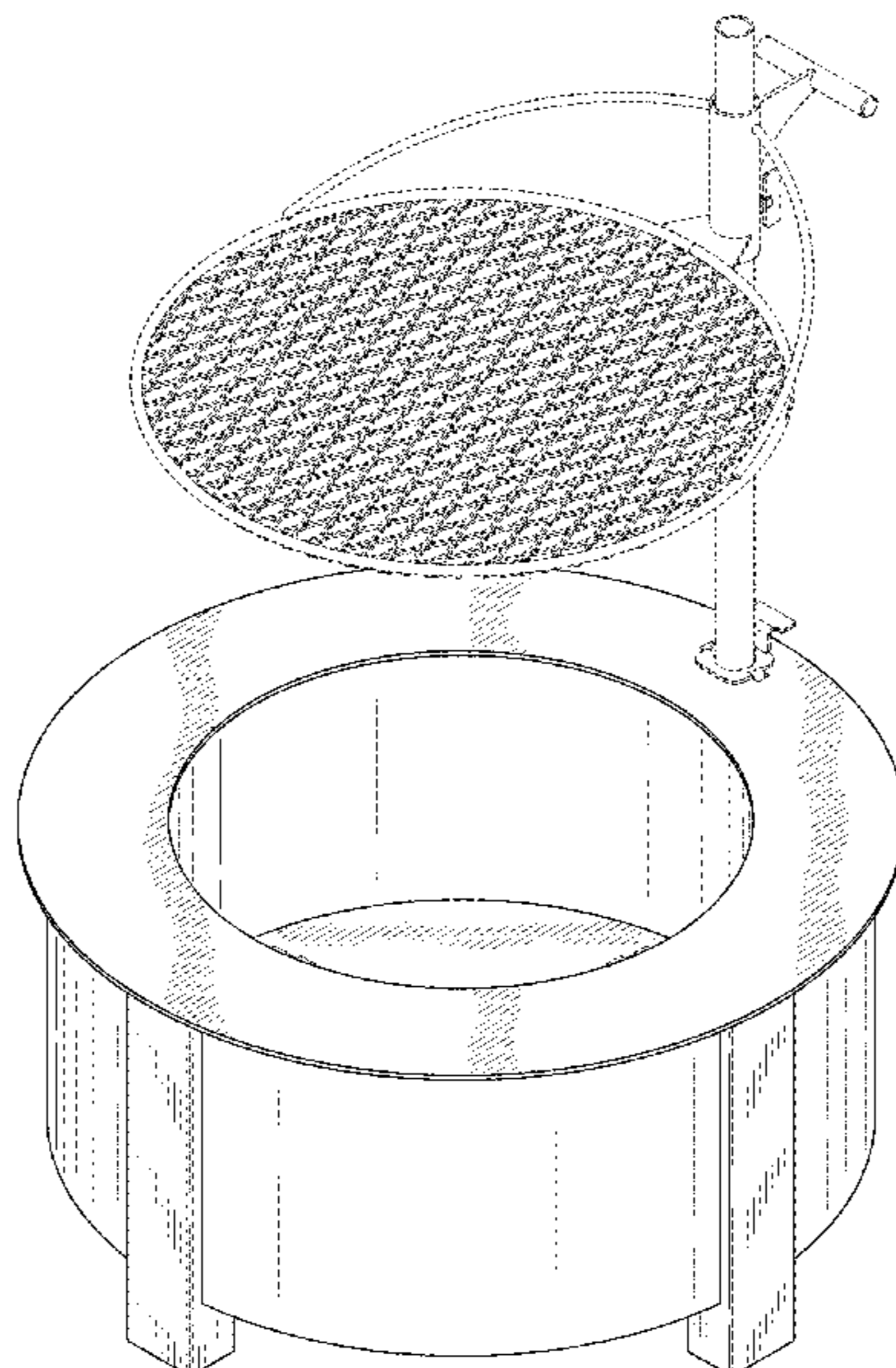
The broken lines shown in the drawings are for purposes of illustrating portions of the article and form no part of the claimed design.

(56) **References Cited**

U.S. PATENT DOCUMENTS

1,996,349 A	4/1935	Ross
2,210,720 A	8/1940	Johnson
2,419,379 A	4/1947	Tindell
2,604,884 A	7/1952	Walker
D186,487 S	10/1959	Brooks
D191,186 S	8/1961	Maki
3,220,400 A	11/1965	Yager
D204,348 S	4/1966	Shilling
3,458,895 A	8/1969	Miller
3,765,397 A	10/1973	Henderson
3,868,943 A	3/1975	Hottenroth et al.
3,982,522 A	9/1976	Hottenroth et al.
D263,918 S	4/1982	Boyd

1 Claim, 10 Drawing Sheets



(56)

References Cited

U.S. PATENT DOCUMENTS

4,667,651 A 5/1987 Groeneweg
 4,732,138 A 3/1988 Vos
 4,762,114 A 8/1988 Blankemeyer
 4,813,308 A 3/1989 Petrus
 D315,846 S 4/1991 Hatzenbeller
 5,094,223 A 3/1992 Gonzalez
 D327,602 S 7/1992 Walker
 5,133,266 A 7/1992 Cullen
 D335,811 S 5/1993 Bengtson et al.
 D342,184 S 12/1993 Sanchez
 D344,207 S 2/1994 Bauman
 D349,024 S 7/1994 Doffee
 D369,939 S 5/1996 Gibbs
 5,596,980 A 1/1997 Whalen et al.
 D382,765 S 8/1997 Kellermann
 5,797,386 A 8/1998 Off
 5,842,463 A 12/1998 Hall
 5,862,742 A 1/1999 Bjerg
 5,873,356 A 2/1999 Vossler et al.
 6,070,571 A 6/2000 Bradbury
 D440,638 S 4/2001 Lefroy-Brooks
 6,298,843 B1 10/2001 Olsen et al.
 6,336,449 B1 1/2002 Drisdelle et al.
 6,354,288 B1 3/2002 McDonald
 D457,029 S 5/2002 Wickizer
 6,386,192 B1 5/2002 Weber
 6,578,568 B1 6/2003 Dufort et al.
 6,845,705 B1 1/2005 Chen
 7,007,687 B2 3/2006 Lewis
 D563,144 S 3/2008 Melzer et al.
 7,383,836 B2 6/2008 Klemming
 D577,946 S 10/2008 Carroll
 D582,197 S 12/2008 Parmelee
 D592,443 S 5/2009 Fraser
 D624,350 S * 9/2010 Wu D7/334
 8,272,601 B2 9/2012 Kocher
 D679,791 S 4/2013 Lowsky
 D701,721 S 4/2014 Jan
 D715,611 S 10/2014 Stamm et al.
 8,893,703 B2 11/2014 DeFoort et al.
 D726,235 S 4/2015 Nauli
 D734,975 S 7/2015 Troyer, Jr.
 9,215,950 B2 12/2015 Walker

D780,897 S 3/2017 Weng
 D796,655 S * 9/2017 Horne, III D23/336
 D801,495 S * 10/2017 Home, III D23/336
 D812,957 S 3/2018 McGuinness
 10,130,212 B2 11/2018 Lopez
 10,588,455 B2 3/2020 Horne, III
 2002/0040644 A1 4/2002 McLemore et al.
 2007/0137634 A1 6/2007 Traeger et al.
 2007/0272229 A1 11/2007 Becker et al.
 2007/0289587 A1 12/2007 Eckes
 2010/0258106 A1 10/2010 Simms, II
 2012/0145139 A1 6/2012 Deeds
 2012/0196232 A1 8/2012 Miller
 2012/0312297 A1 12/2012 Walker
 2014/0238378 A1 8/2014 Scott
 2015/0075514 A1 3/2015 Kuenzinger
 2015/0136112 A1 5/2015 Dyson
 2015/0305561 A1 10/2015 Andol
 2016/0029841 A1 2/2016 Walker
 2017/0303741 A1 * 10/2017 Horne, III A47J 37/0763
 2018/0184840 A1 7/2018 Maga

OTHER PUBLICATIONS

Breeo, LLC, Double Flame 19" Smokeless Fire Pit, downloaded on Sep. 4, 2019 from <https://breeo.co/collections/double-flame/products/double-flame-19-fire-pit-stainless>.
 Breeo, LLC, Double Flame 24" Smokeless Fire Pit—Steel, downloaded on Sep. 4, 2019 from <https://breeo.co/collections/double-flame/products/double-flame-24-fire-pit-steel>.
 Breeo, LLC, Double Flame 24" Smokeless Fire Pit—Stainless, downloaded on Sep. 4, 2019 from <https://breeo.co/collections/double-flame/products/double-flame-24-fire-pit-stainless>.
 Breeo, LLC, Double Flame 24" Double Flame 24" Grill & Post, downloaded on Sep. 4, 2019 from <https://breeo.co/collections/double-flame/products/double-flame-24-grill-post>.
 Breeo, LLC, Phoenix, downloaded on Sep. 4, 2019 from <https://breeo.co/collections/phoenix>.
 Jan. 19, 2011 Fire Pit w/ Kettle Winch publication, Beaver Creek Furniture.
 Printed from <https://breeo.co> Aug. 15, 2019; breeo Smokeless Fire Pits, Luxeve.

* cited by examiner

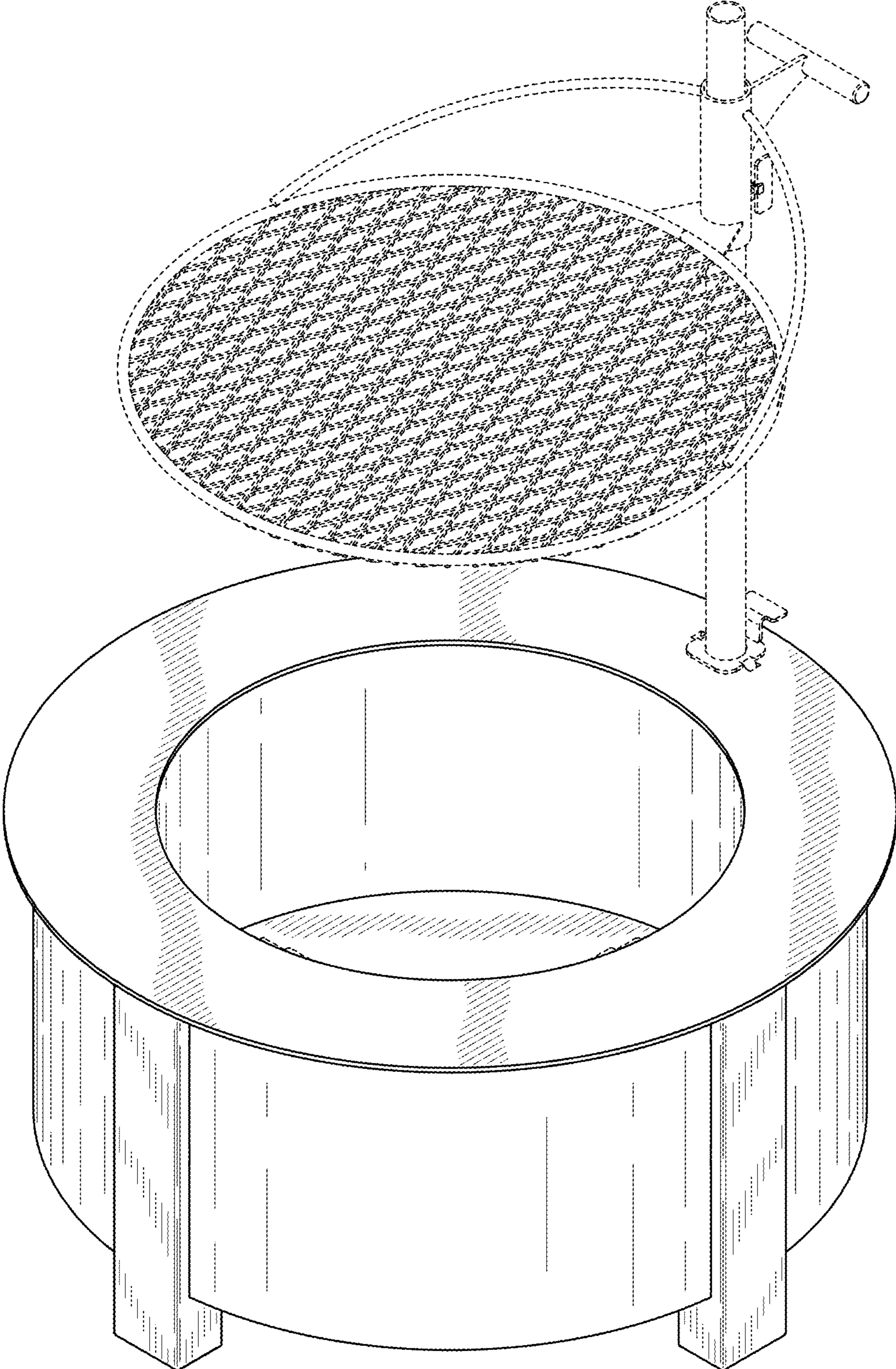


FIG. 1

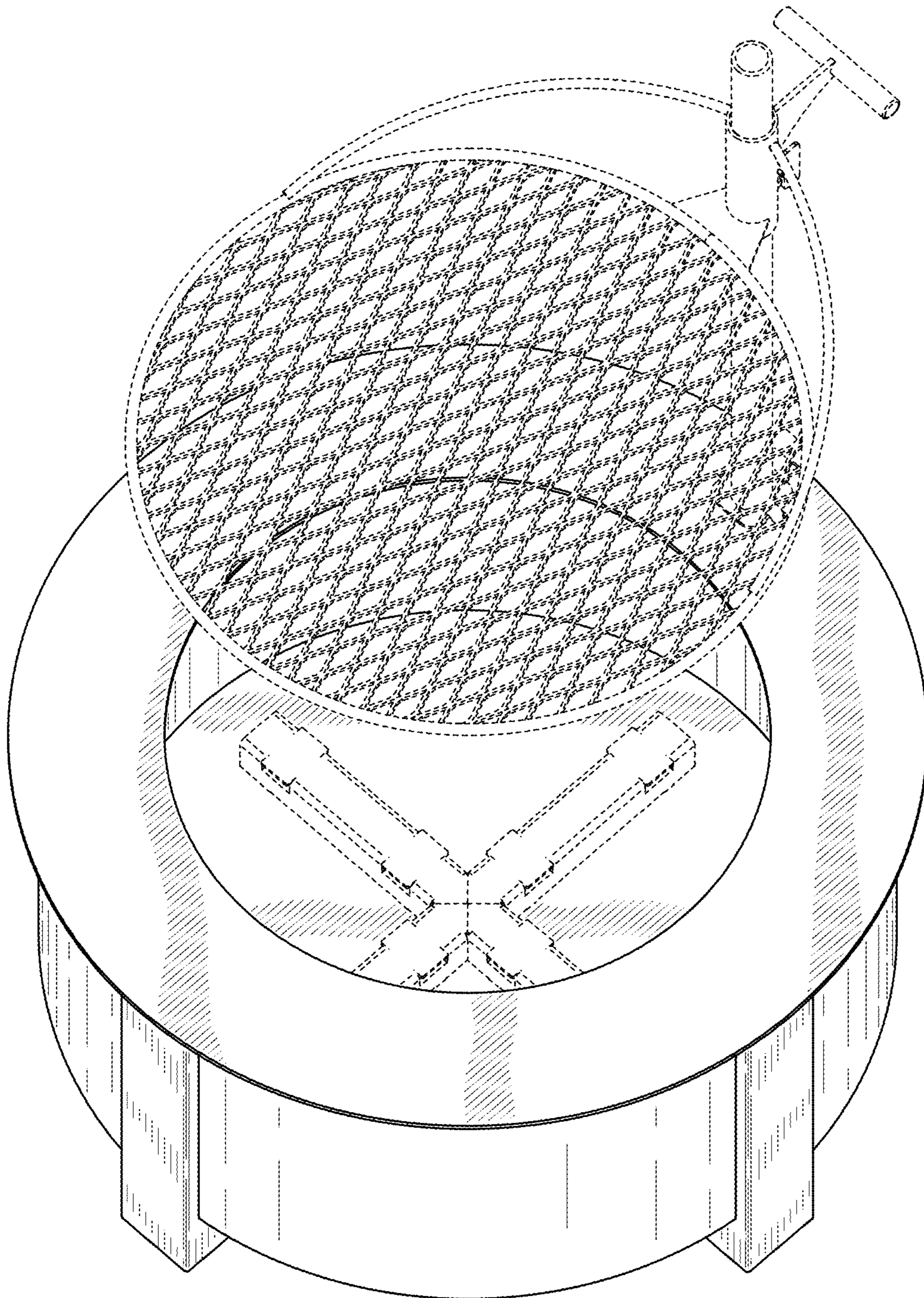


FIG. 2

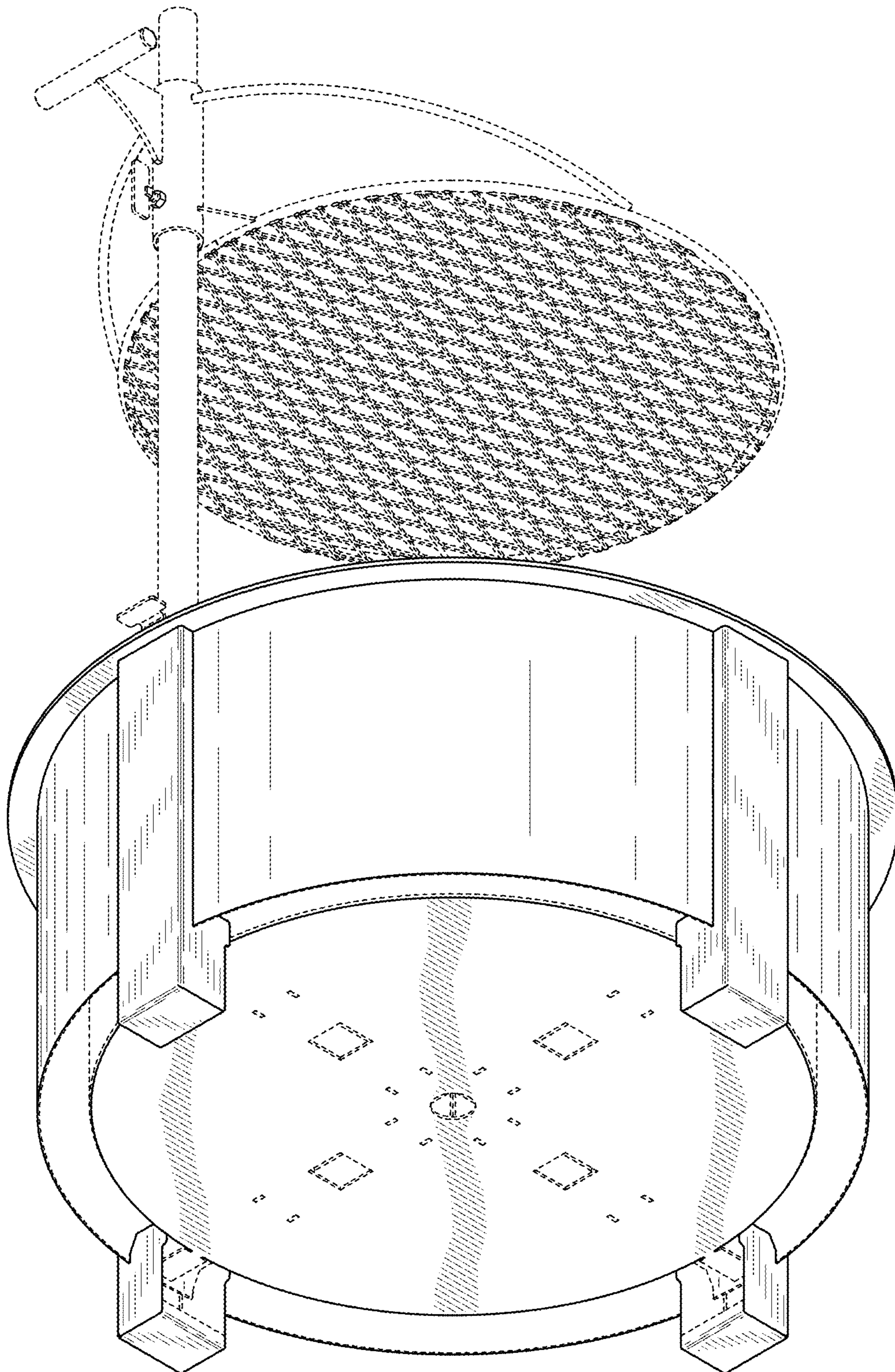


FIG. 3

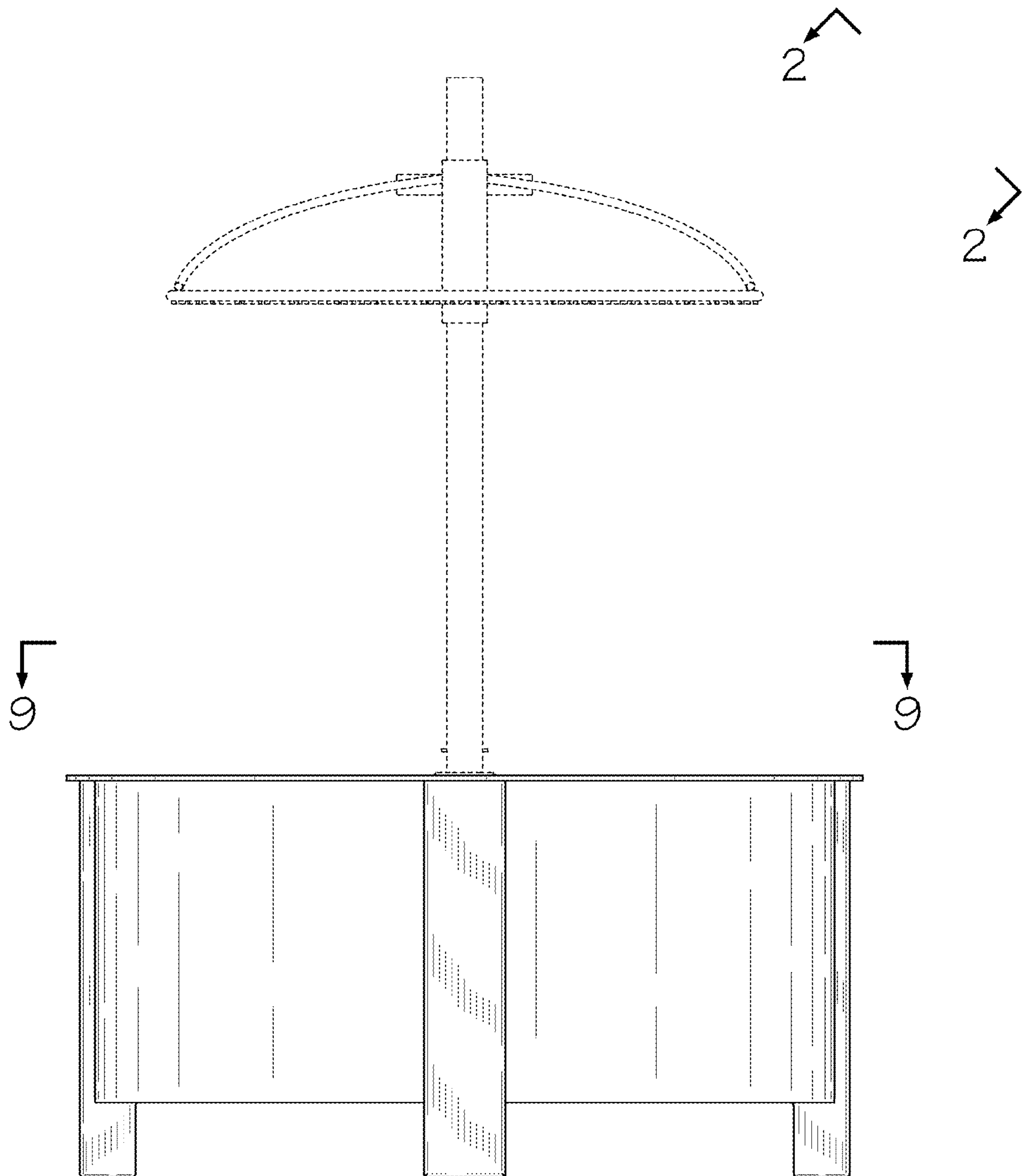


FIG. 4

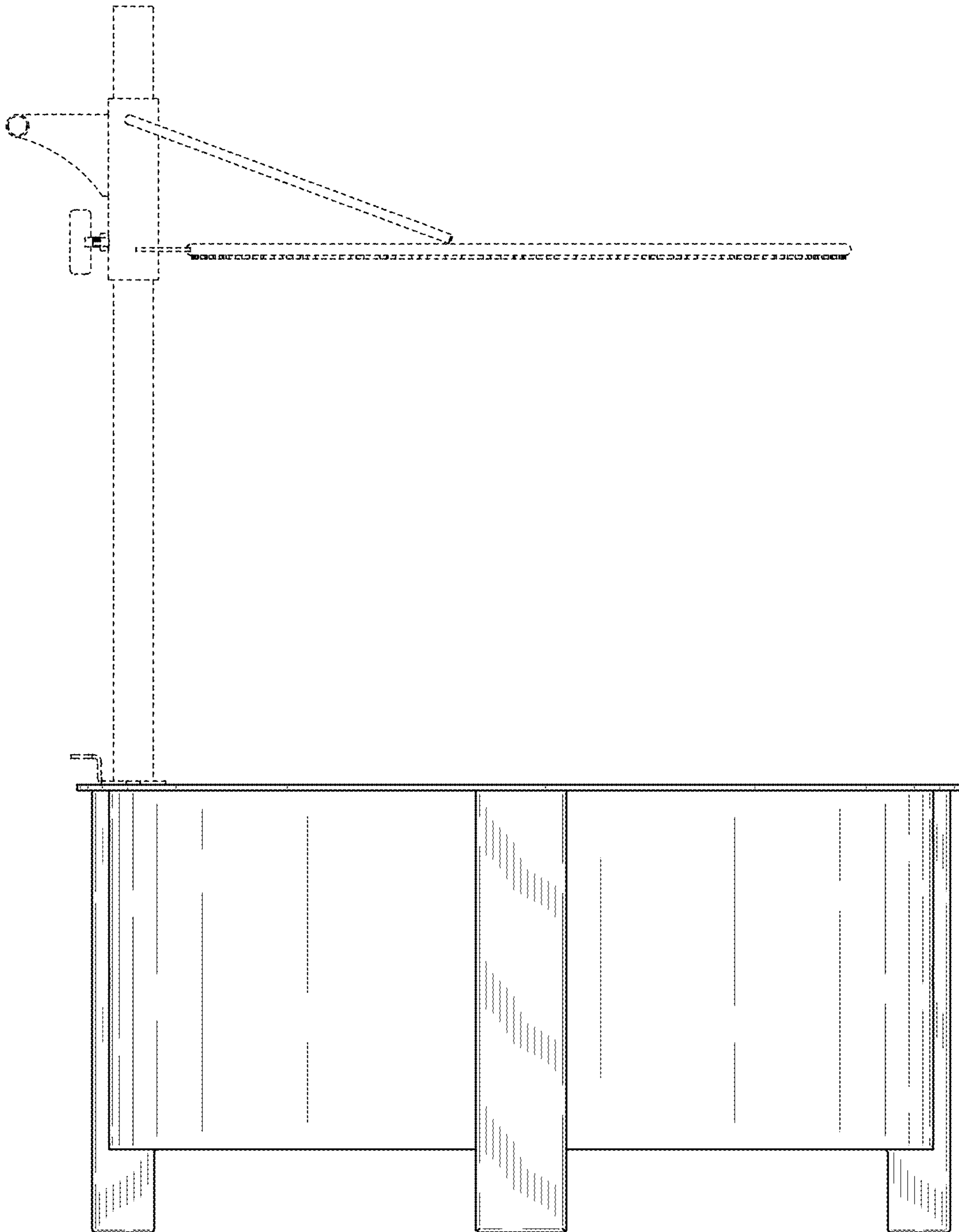


FIG. 5

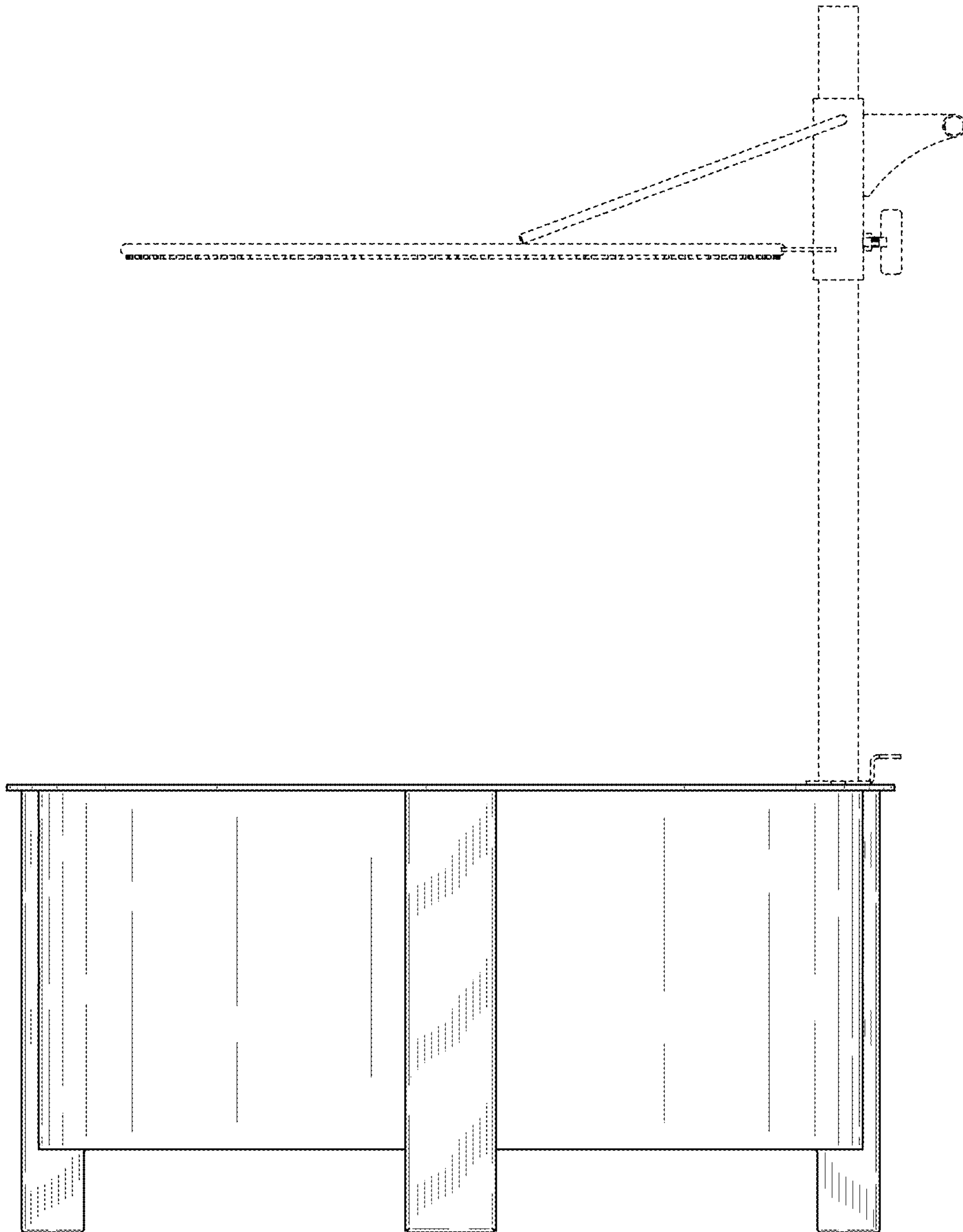


FIG. 6

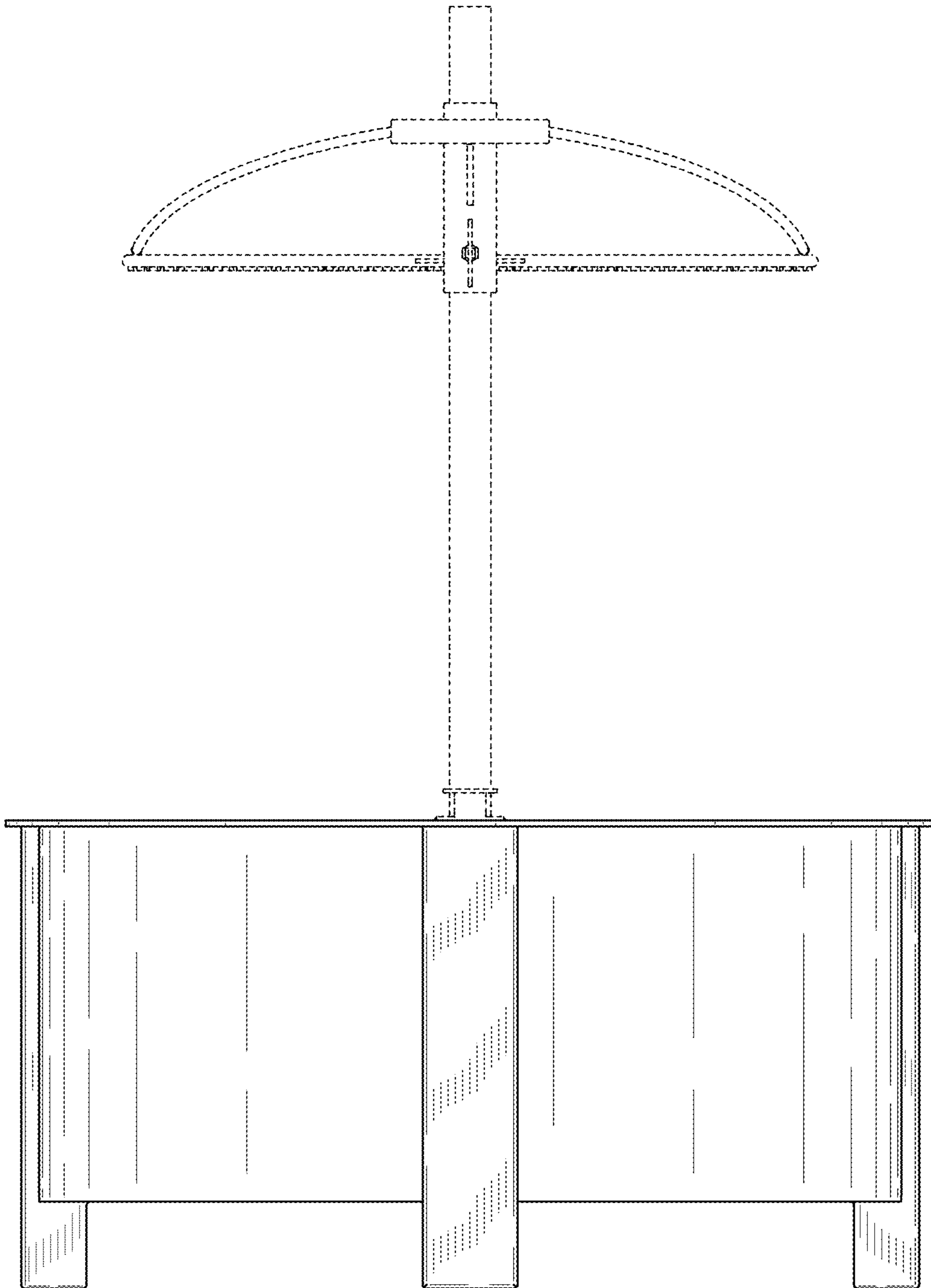


FIG. 7

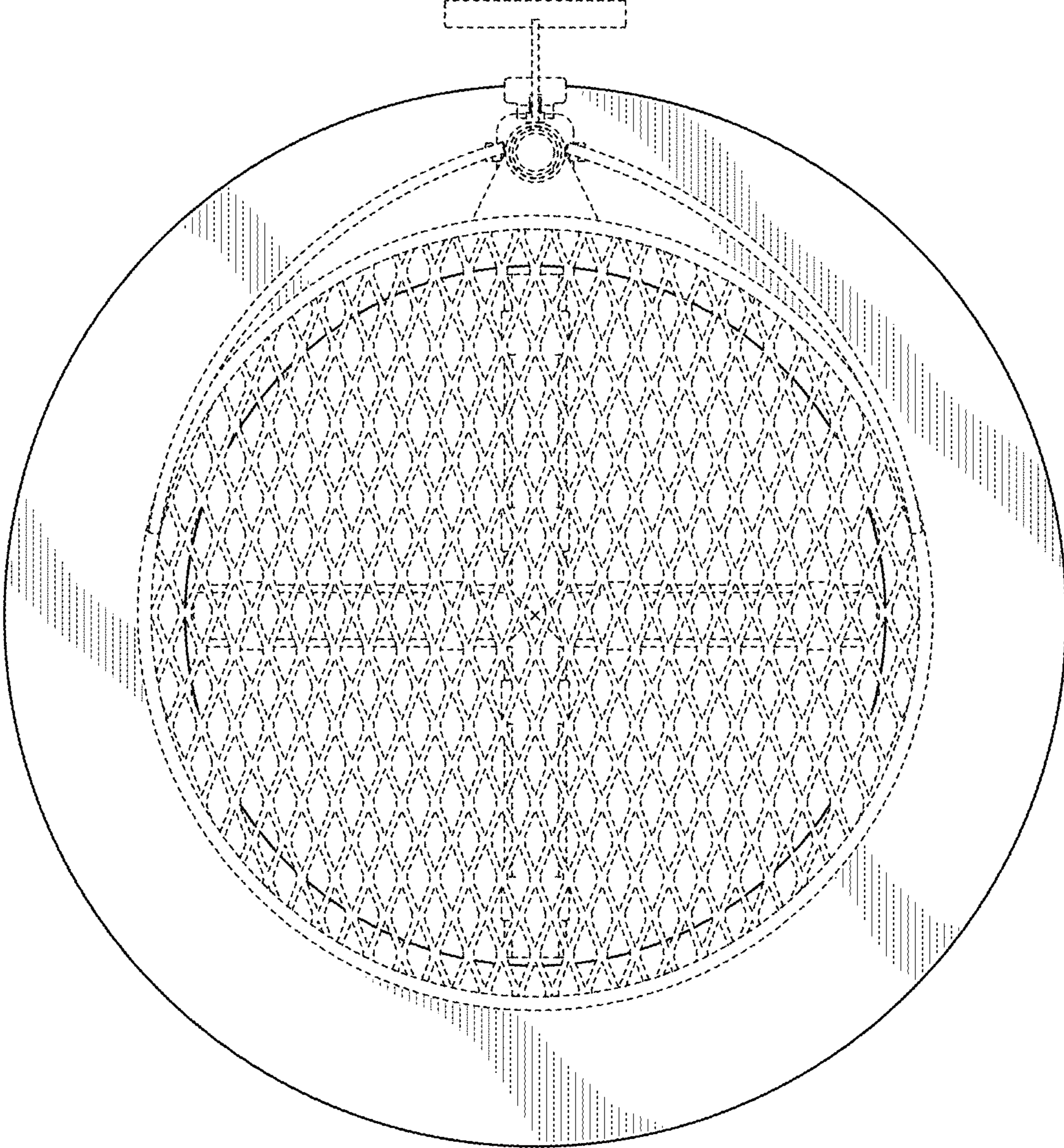


FIG. 8

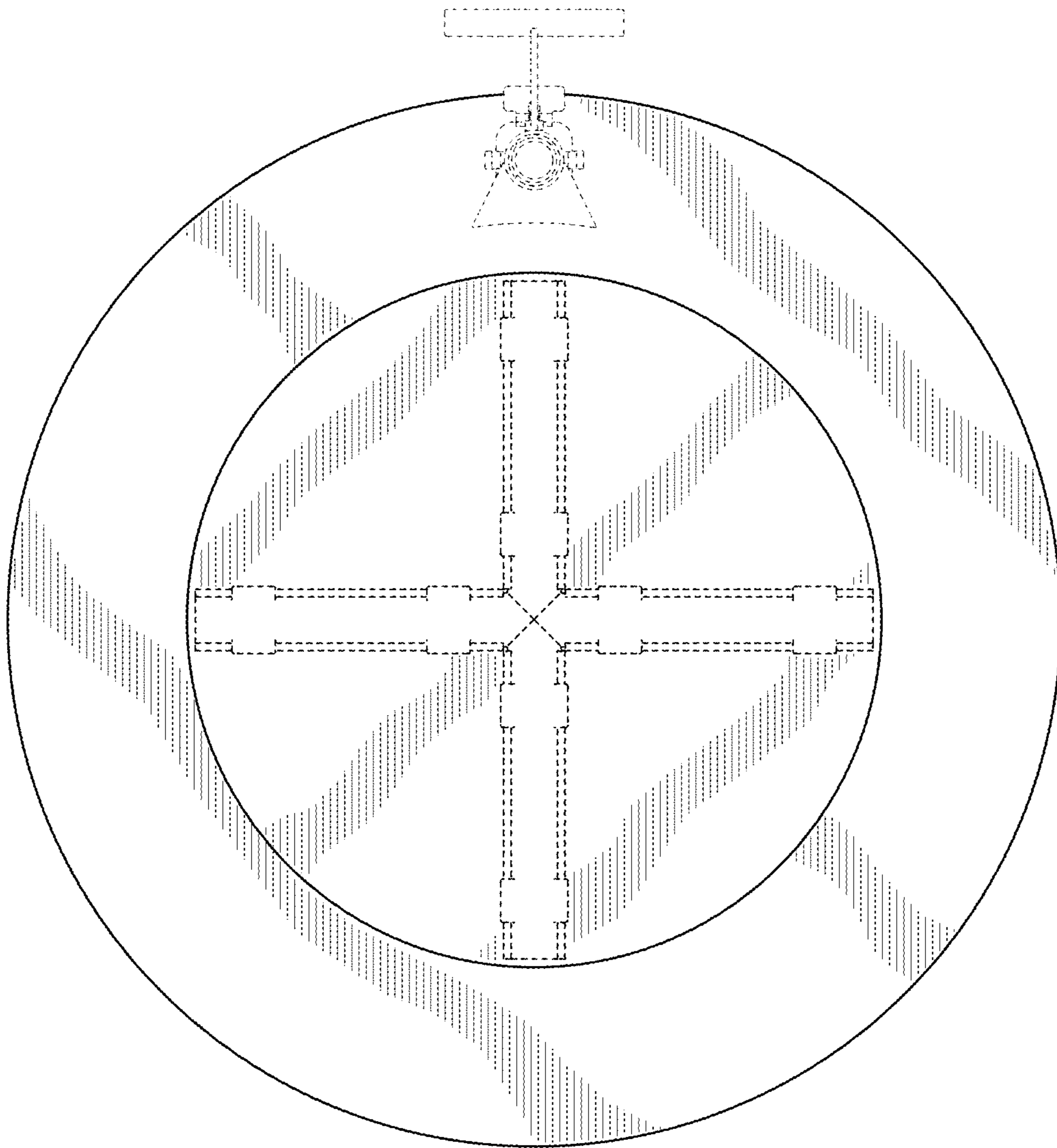


FIG. 9

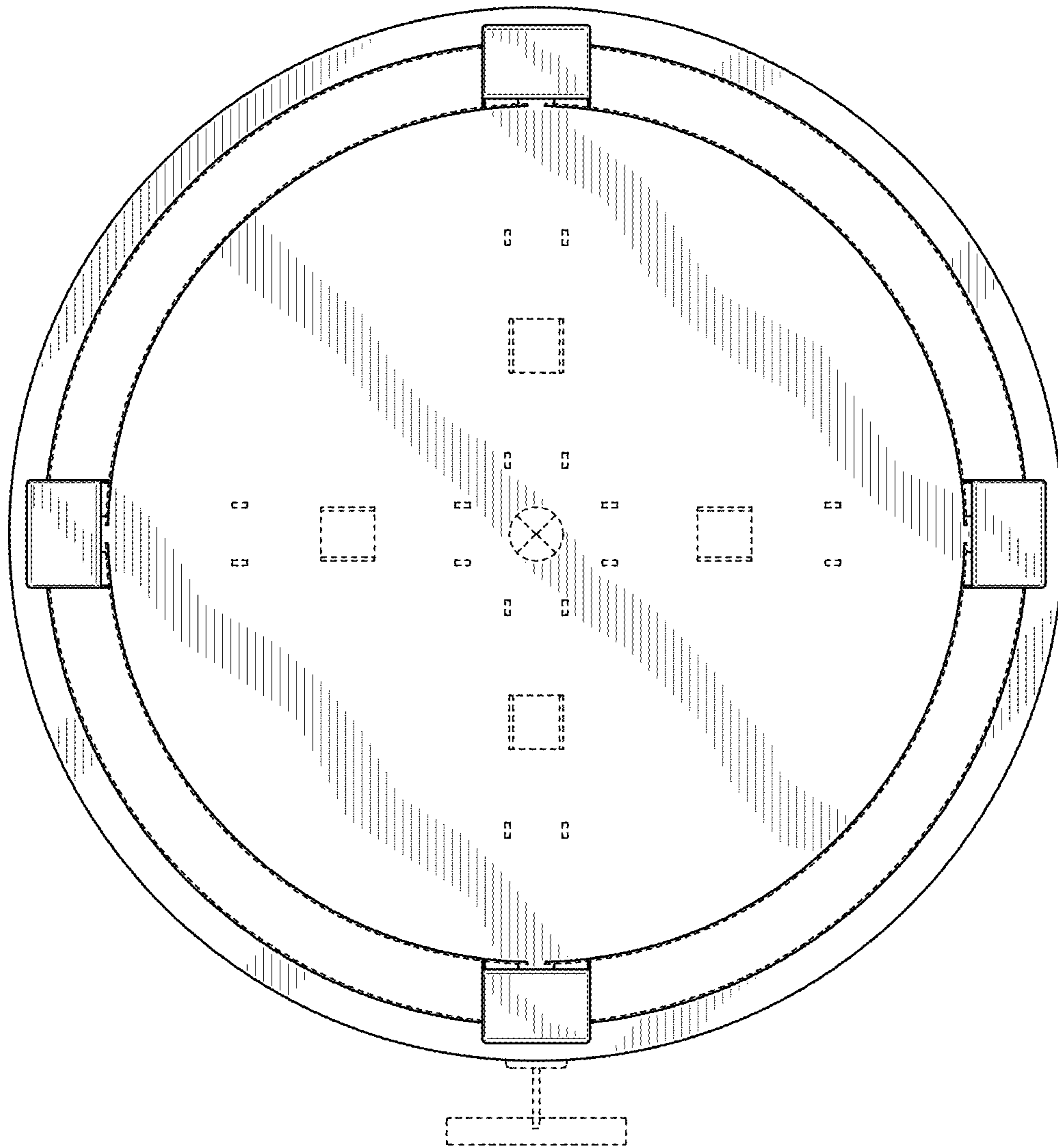


FIG. 10