



US00D914171S

(12) **United States Design Patent**  
**Melo et al.**

(10) **Patent No.:** **US D914,171 S**  
(45) **Date of Patent:** **\*\* Mar. 23, 2021**

(54) **VERTICAL TAKE-OFF AND LANDING CRAFT**

(71) Applicant: **EMBRAER S.A.**, São José dos Campos—SP (BR)

(72) Inventors: **Adilson Melo**, São José dos Campos—SP (BR); **Alberto Dei Castelli**, São José dos Campos—SP (BR); **Fabio Zaroni**, São José dos Campos—SP (BR); **Felipe Nahime Cursino**, São José dos Campos—SP (BR); **Fernando Rodrigues Vianna**, São José dos Campos—SP (BR); **Flavia Renata Dantas Alves Silva**, São José dos Campos—SP (BR); **Geraldo Carvalho**, São José dos Campos—SP (BR); **Igor Miranda Rodrigues**, São José dos Campos—SP (BR); **Julio Cesar Graves**, São José dos Campos—SP (BR); **Luiz Antonio Madeira Junior**, São José dos Campos—SP (BR); **Luiz Felipe Ribeiro Valentini**, São José dos Campos—SP (BR); **Rafael Desideri de Freitas**, São José dos Campos—SP (BR); **Rafael Estefano Reis Cleto**, São José dos Campos—SP (BR); **Ricardo Takeshi Demizu**, São José dos Campos—SP (BR); **Rodrigo Takashi Lourenco Kawasaki**, São José dos Campos—SP (BR); **Thalerson Augusto Mortari Alves**, São José dos Campos—SP (BR); **Vinicius Magalhaes Cunha**, São José dos Campos—SP (BR); **Yasser Mahmud Abdallah**, São José dos Campos—SP (BR)

(73) Assignee: **EMBRAER S.A.**, São José dos Campos—SP (BR)

(\*\*) Term: **15 Years**

(21) Appl. No.: **29/690,848**

(22) Filed: **May 10, 2019**

(51) **LOC (13) Cl.** ..... **12-07**

(52) **U.S. Cl.**  
USPC ..... **D23/326**

(58) **Field of Classification Search**  
USPC ..... D12/1, 2, 3, 4, 16.1, 174, 319–345;  
D15/436–455; D13/109  
CPC ..... B64C 29/0033; B64C 2201/021; B64C  
29/02; B64C 2201/088; B64C 2201/104;  
B64C 2201/141  
See application file for complete search history.

(56) **References Cited**

U.S. PATENT DOCUMENTS

D822,579 S \* 7/2018 Lienhard ..... D12/328  
D824,804 S \* 8/2018 Tian ..... D12/16.1  
(Continued)

OTHER PUBLICATIONS

EmbraerX DreamMaker—Electric VTOL News (Article) “Embraer Dreammaker”—<https://evtol.news/aircraft/embraer/>.\*

*Primary Examiner* — John A Voytek

(74) *Attorney, Agent, or Firm* — Nixon & Vanderhye P.C.

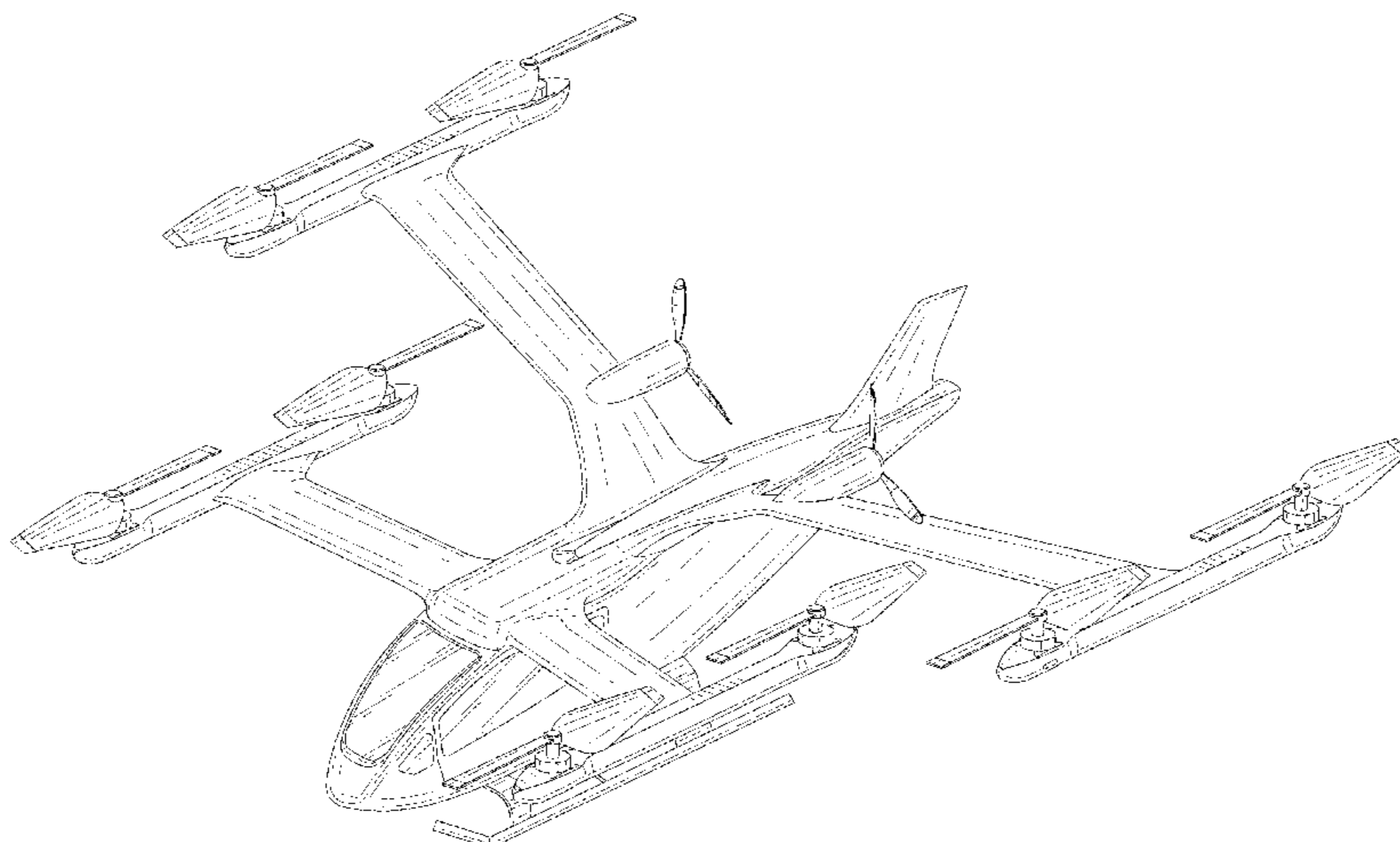
(57) **CLAIM**

The ornamental design for a “vertical take-off and landing craft”, as shown and described.

**DESCRIPTION**

FIG. 1 is a front left side perspective view showing our new and original design for a vertical take-off and landing craft; FIG. 2 is a front elevational view thereof; FIG. 3 is a rear elevational view thereof; FIG. 4 is a top plan view thereof; FIG. 5 is a bottom plan view thereof; FIG. 6 is a right side elevational view thereof; and, FIG. 7 is a left side elevational view thereof.

**1 Claim, 7 Drawing Sheets**



(56)

**References Cited**

U.S. PATENT DOCUMENTS

D843,306 S \* 3/2019 Tzarnotzky ..... D12/329  
D843,919 S \* 3/2019 Tzarnotzky ..... D12/329  
10,259,563 B2 \* 4/2019 Long ..... B64D 35/02  
10,322,814 B1 \* 6/2019 Tian ..... B64C 39/04  
D864,084 S \* 10/2019 Clark ..... D12/328  
D865,636 S \* 11/2019 Reichert ..... D12/328  
D872,681 S \* 1/2020 Tzarnotzky ..... D12/329  
D875,022 S \* 2/2020 Cummings ..... D12/326  
D881,788 S \* 4/2020 Tian ..... D12/328  
2019/0092461 A1 \* 3/2019 Duffy ..... B64C 11/04  
2020/0079501 A1 \* 3/2020 Graves ..... B64C 9/00

\* cited by examiner

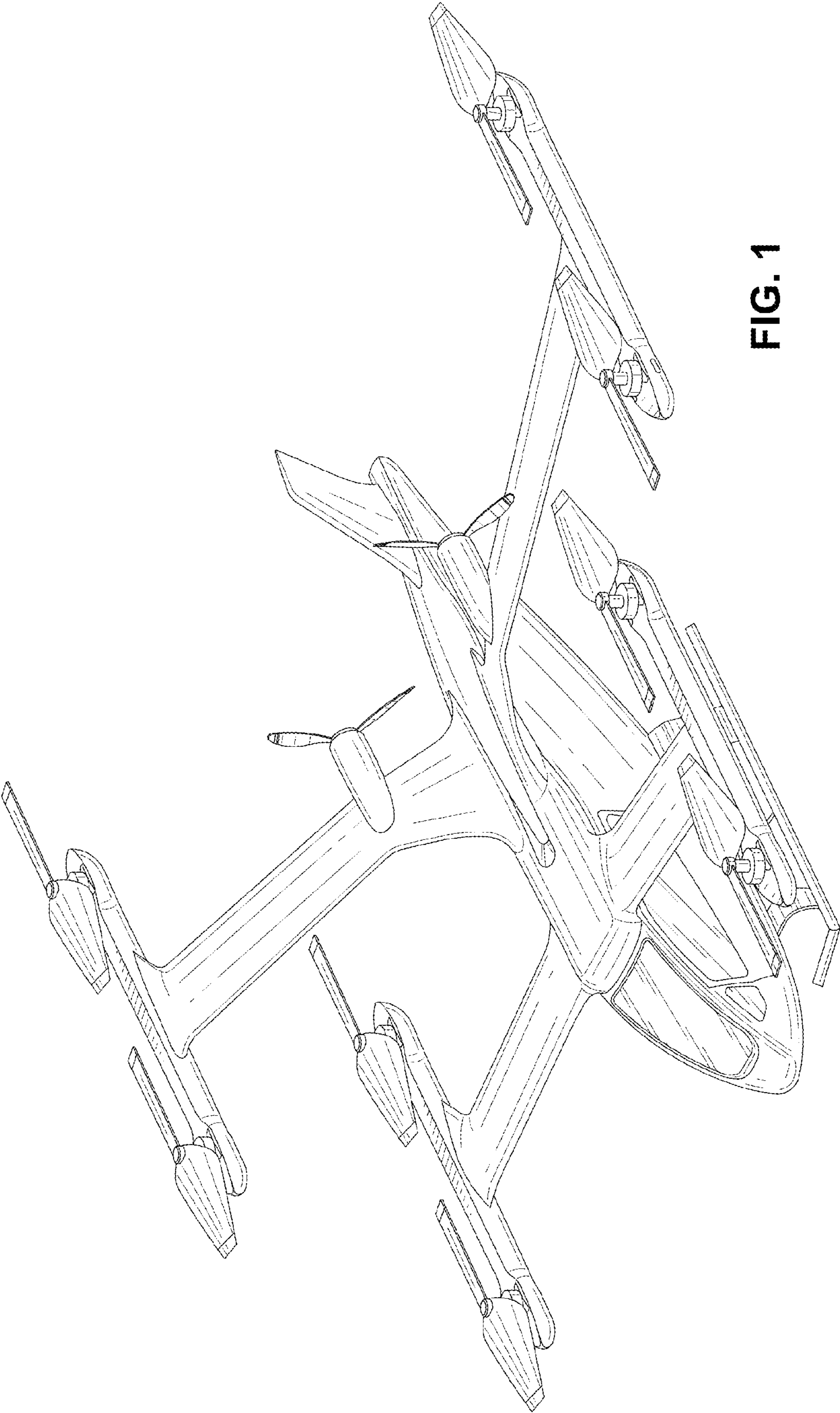


FIG. 1

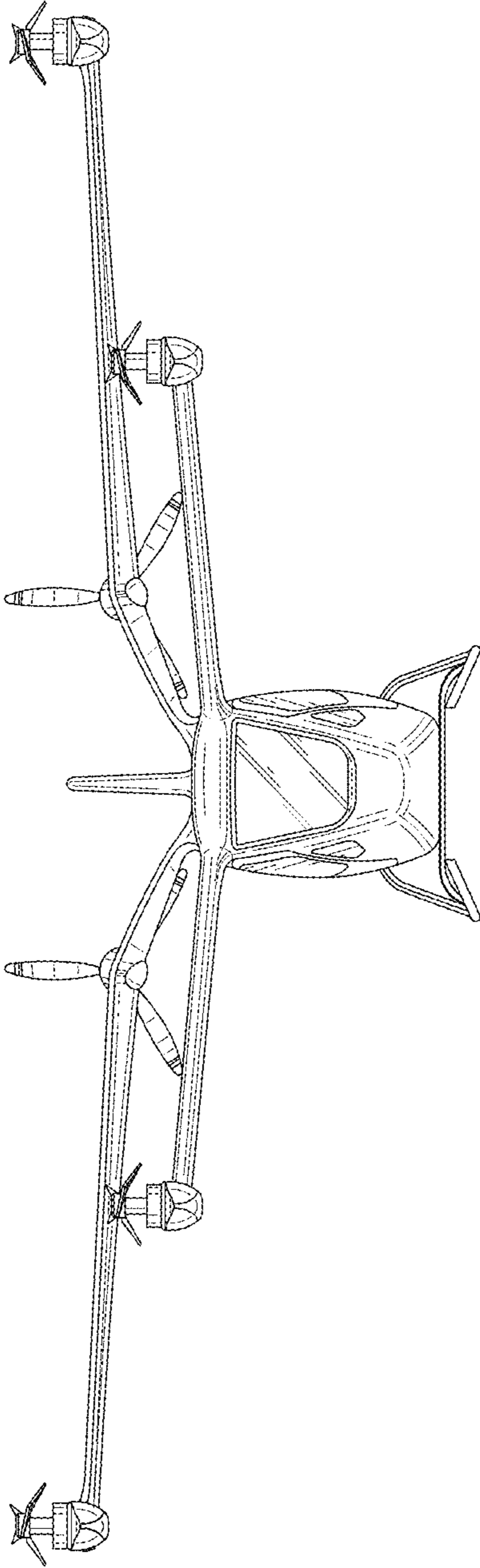


FIG. 2

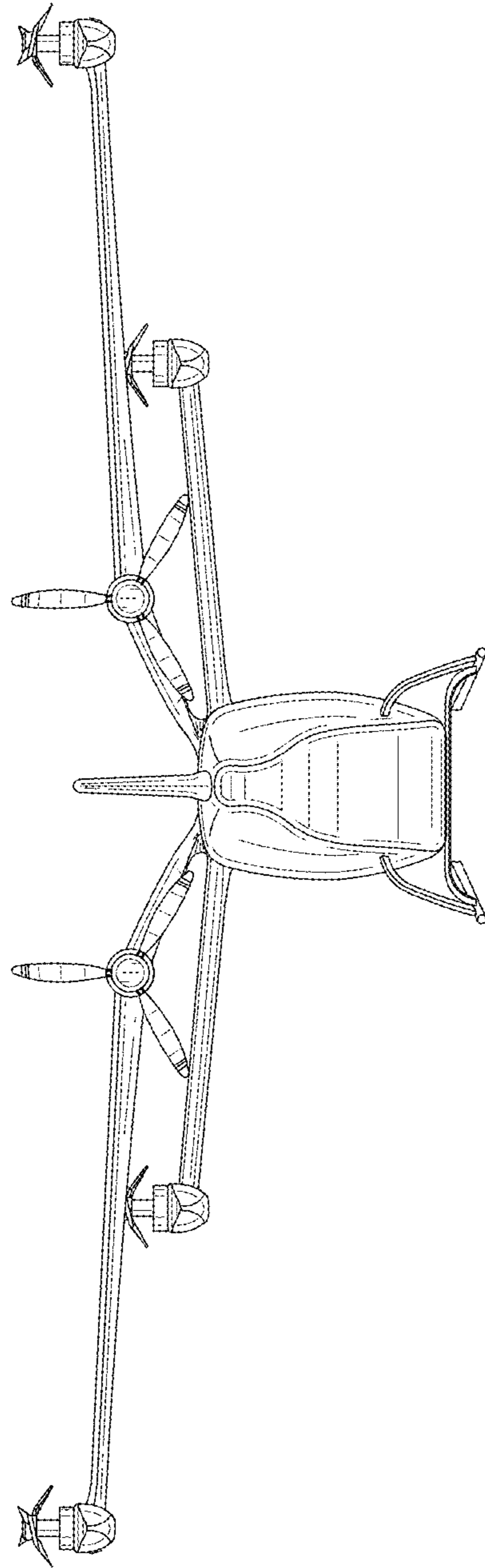


FIG. 3

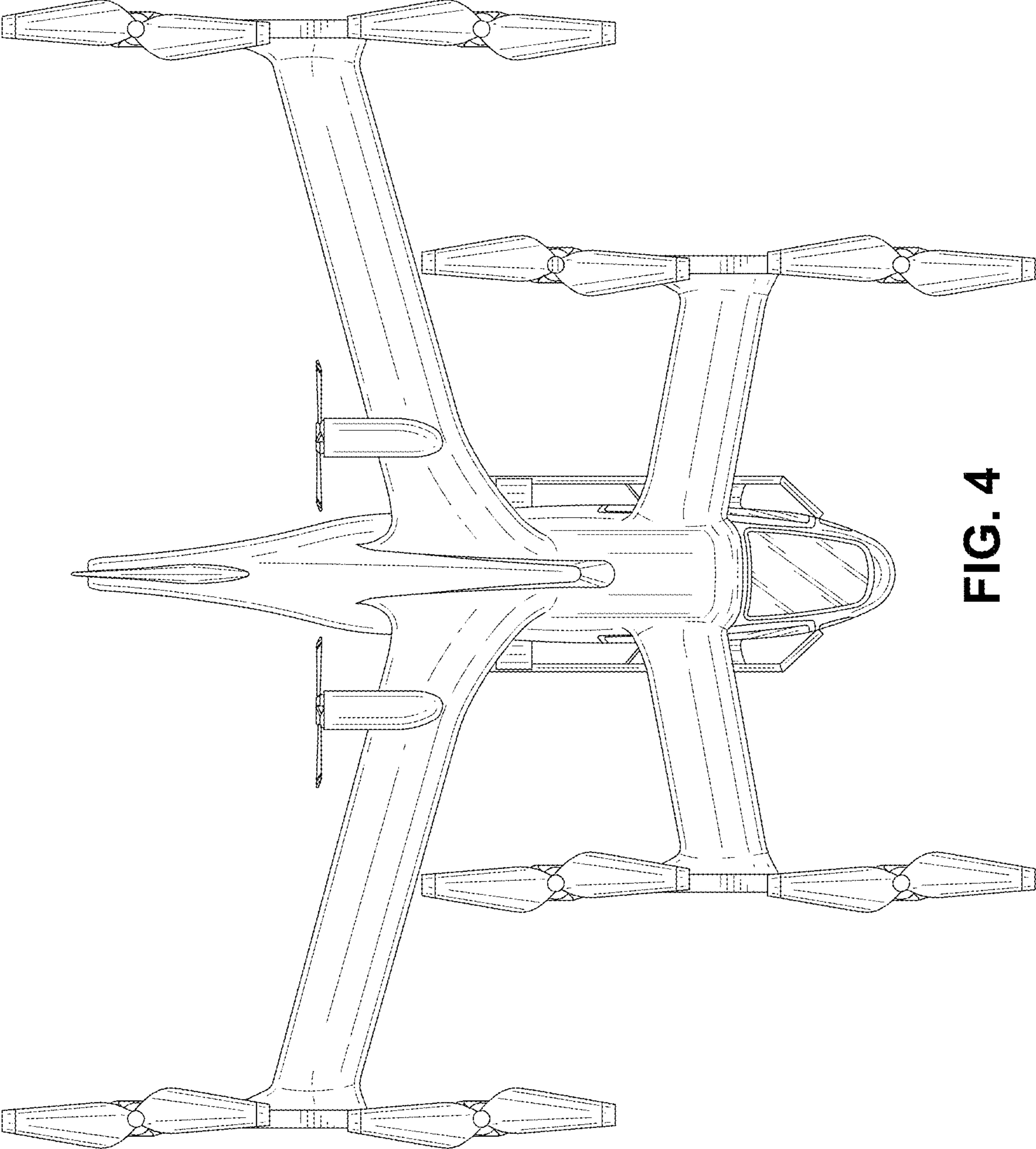


FIG. 4

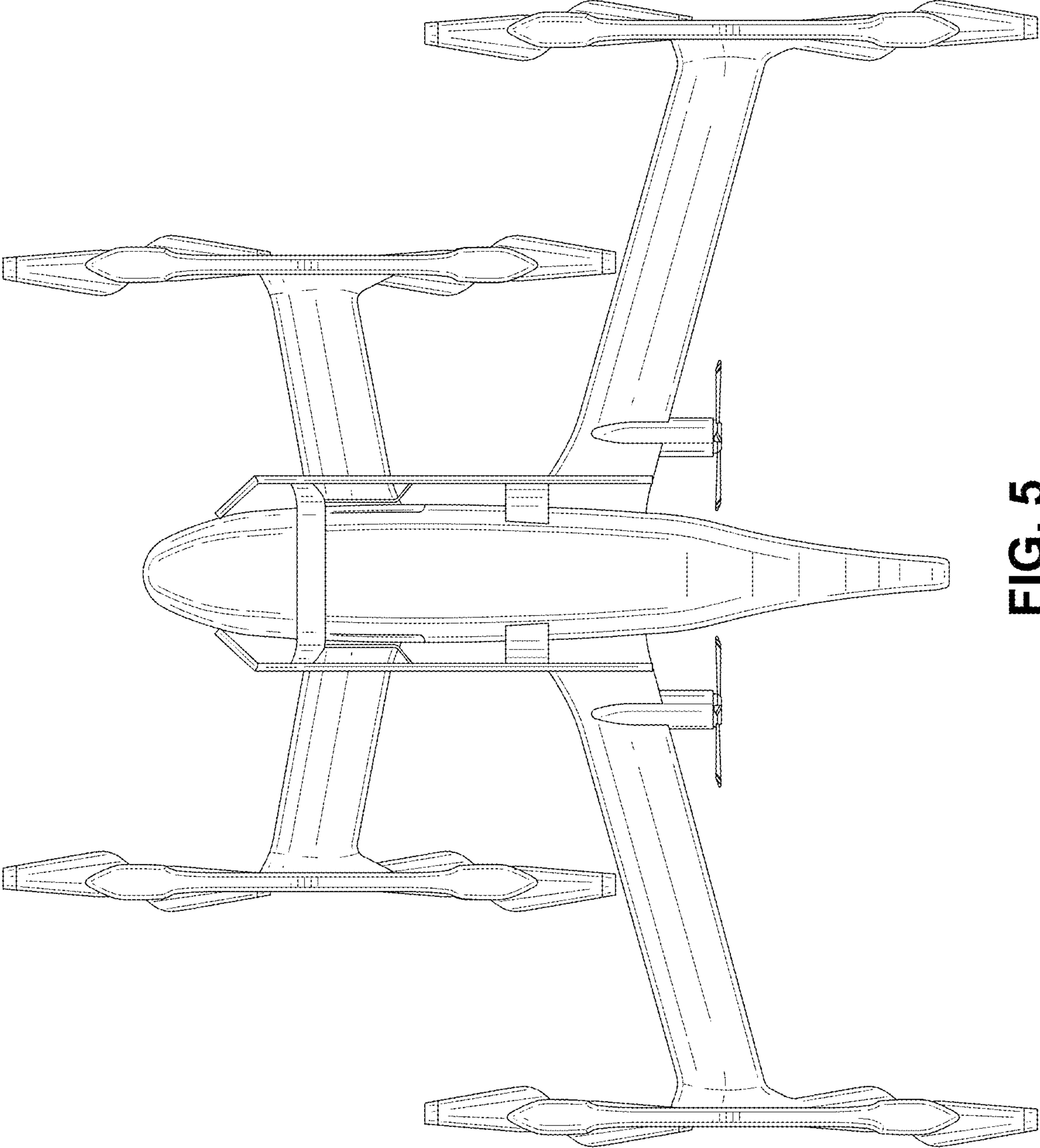


FIG. 5

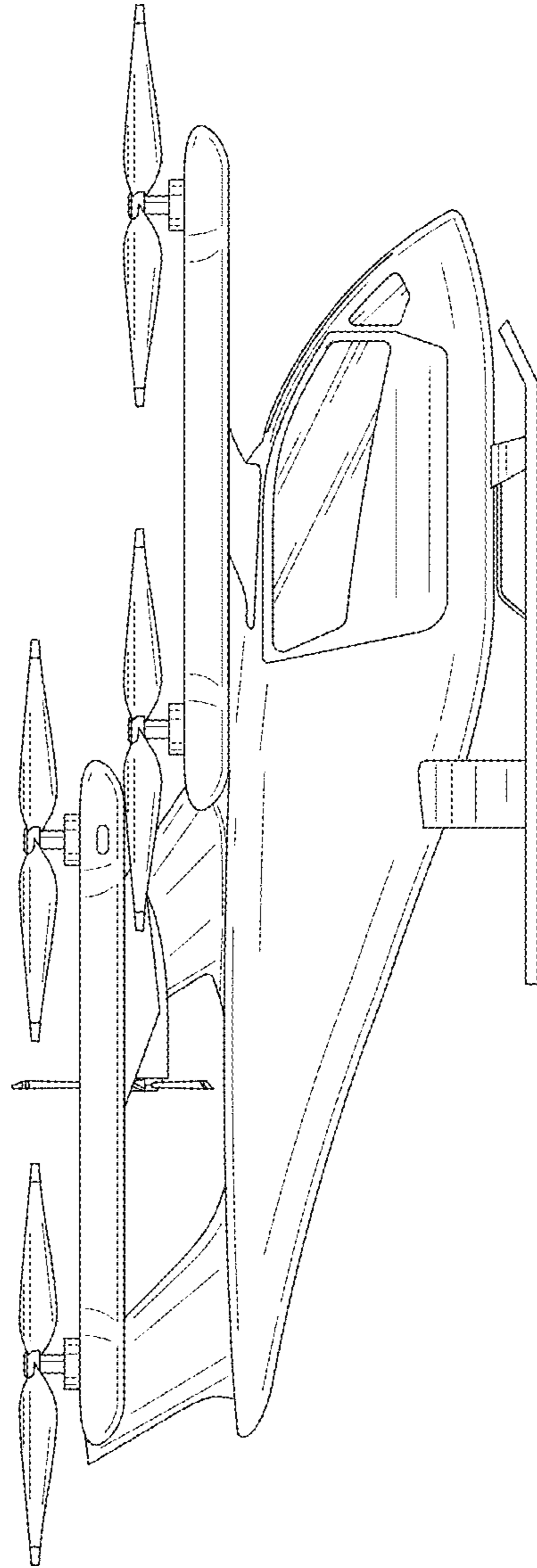


FIG. 6



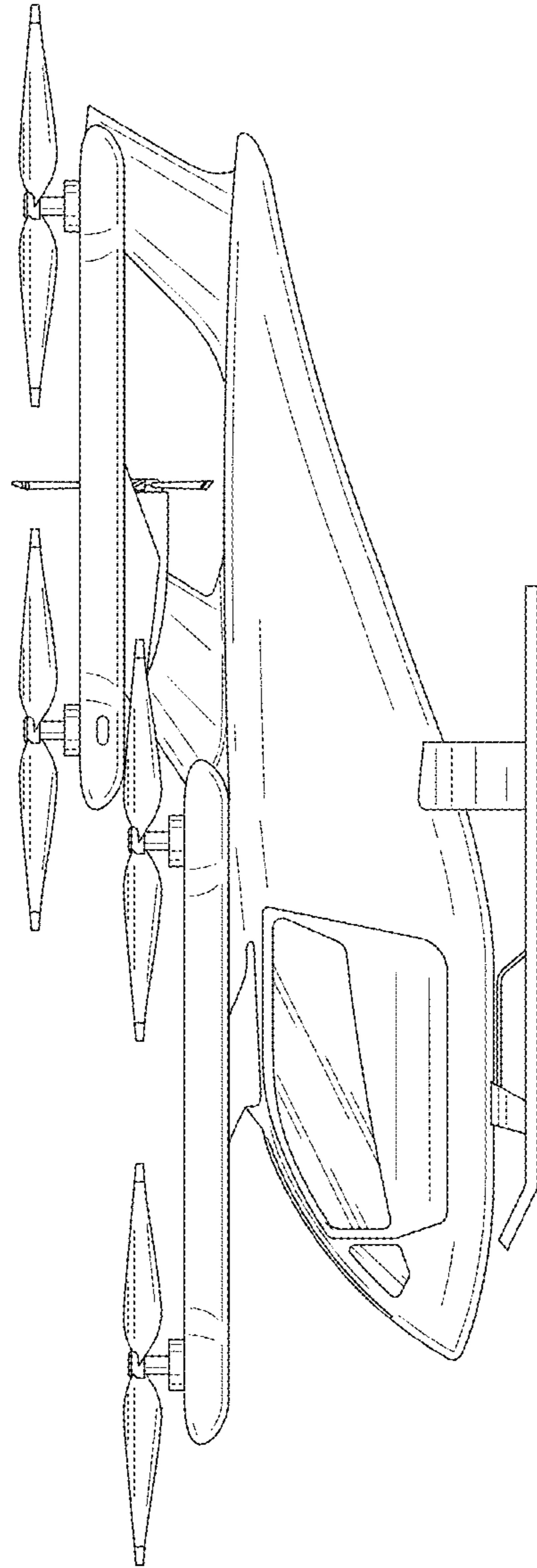


FIG. 7