



US00D914170S

(12) **United States Design Patent**
Li et al.

(10) **Patent No.:** **US D914,170 S**
(45) **Date of Patent:** **** Mar. 23, 2021**

- (54) **SINK APRON**
- (71) Applicants: **DeChang Li**, Maspeth, NY (US); **Ken Sapp**, Lakeville, MN (US)
- (72) Inventors: **DeChang Li**, Maspeth, NY (US); **Ken Sapp**, Lakeville, MN (US)
- (73) Assignee: **Compass Manufacturing International, LLC**, Louisville, KY (US)
- (**) Term: **15 Years**

D478,970 S *	8/2003	Ziemann	D23/290
D492,983 S *	7/2004	Rachiele	D23/293.1
D495,791 S *	9/2004	Bayer	D23/290
D499,800 S	12/2004	Trepanier		
D501,541 S *	2/2005	Gordon	D23/284
D646,364 S *	10/2011	Parekh	D23/290
D671,197 S *	11/2012	Miller	D23/290
D685,892 S *	7/2013	Dickout	D23/290
D707,802 S *	6/2014	Jepson	D23/290
D746,420 S *	12/2015	Kurth	D23/290
D768,269 S *	10/2016	Francesconi	D23/284
D796,650 S *	9/2017	Ziemann	D23/290
D797,907 S *	9/2017	Esteve	D23/293.1
D816,197 S *	4/2018	Chong	D23/290

* cited by examiner

- (21) Appl. No.: **29/651,583**
- (22) Filed: **Sep. 29, 2018**

Primary Examiner — John A Voytek
(74) *Attorney, Agent, or Firm* — Carrithers Law Office, PLLC

Related U.S. Application Data

- (63) Continuation-in-part of application No. 29/620,418, filed on Dec. 2, 2016.
- (51) **LOC (13) Cl.** **23-02**
- (52) **U.S. Cl.**
USPC **D23/290**
- (58) **Field of Classification Search**
USPC D23/284–292, 293.1, 295–301, 303, 308;
D9/425; D8/1; D11/155, 156; D3/304
CPC A47K 1/04; A47B 77/06; A47J 47/20
See application file for complete search history.

(57) **CLAIM**

The ornamental design for a sink apron, as shown and described.

DESCRIPTION

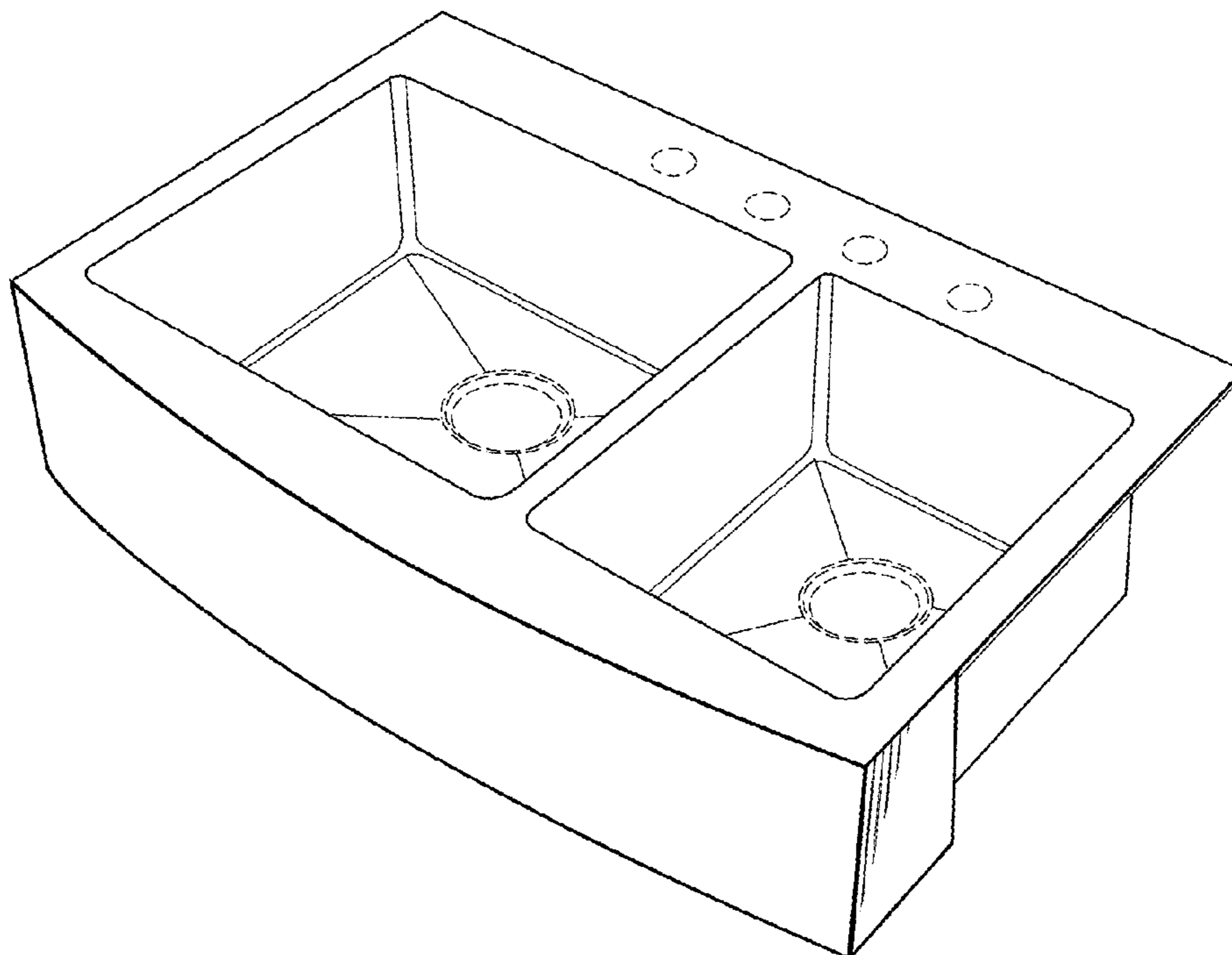
FIG. 1 is a perspective view of a sink apron showing my new design;
FIG. 2 is a top plan view thereof;
FIG. 3 is a bottom plan view thereof;
FIG. 4 is a right side view thereof;
FIG. 5 is a left side view thereof;
FIG. 6 is a front plan view thereof; and,
FIG. 7 is a rear plan view thereof.
The broken lines shown in the drawings represent portions of the sink that form no part of the claimed design.

(56) **References Cited**

U.S. PATENT DOCUMENTS

D427,670 S *	7/2000	Svendsen	D23/290
D451,585 S *	12/2001	Svendsen	D23/290

1 Claim, 2 Drawing Sheets



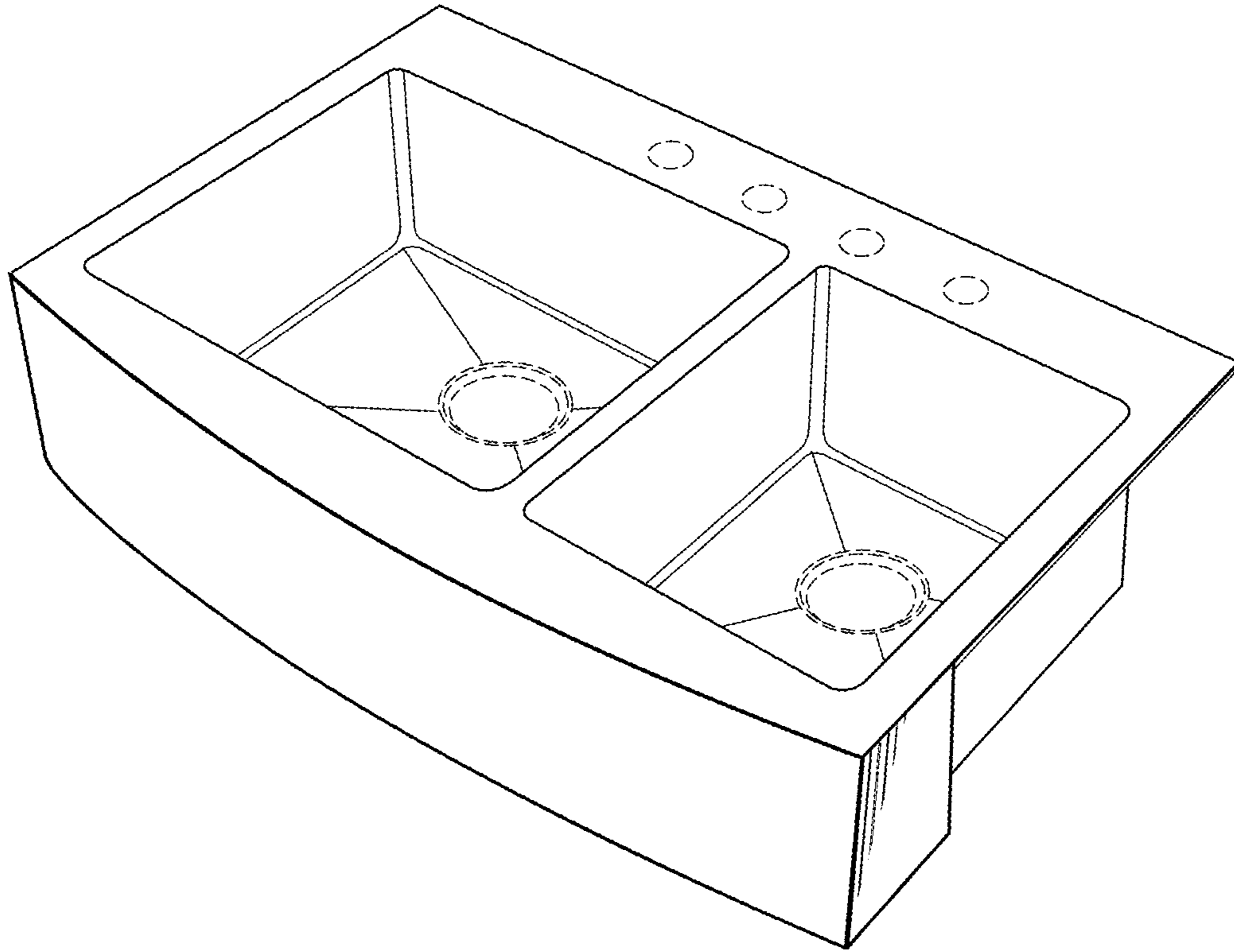


FIG. 1

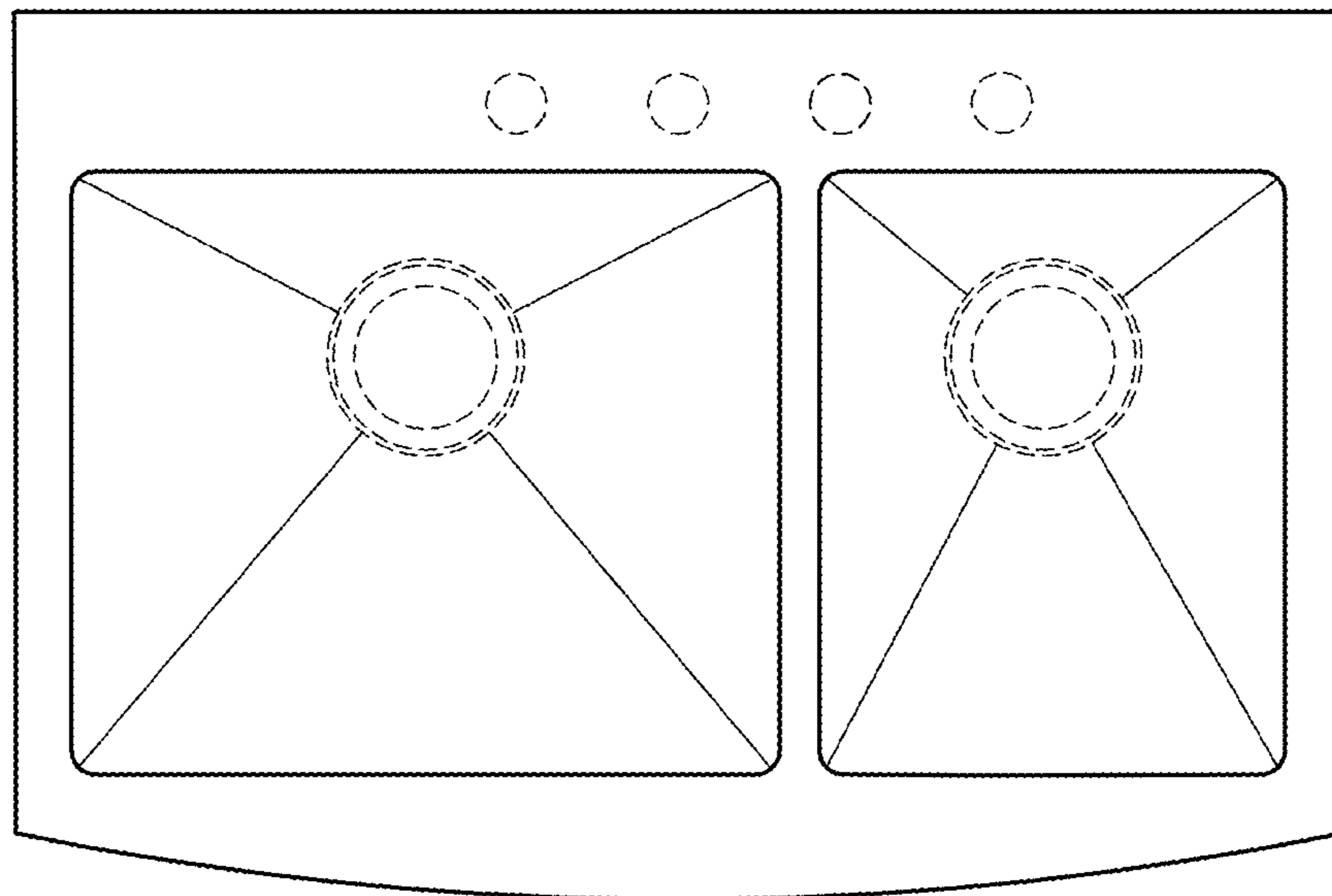


FIG. 2

FIG. 3

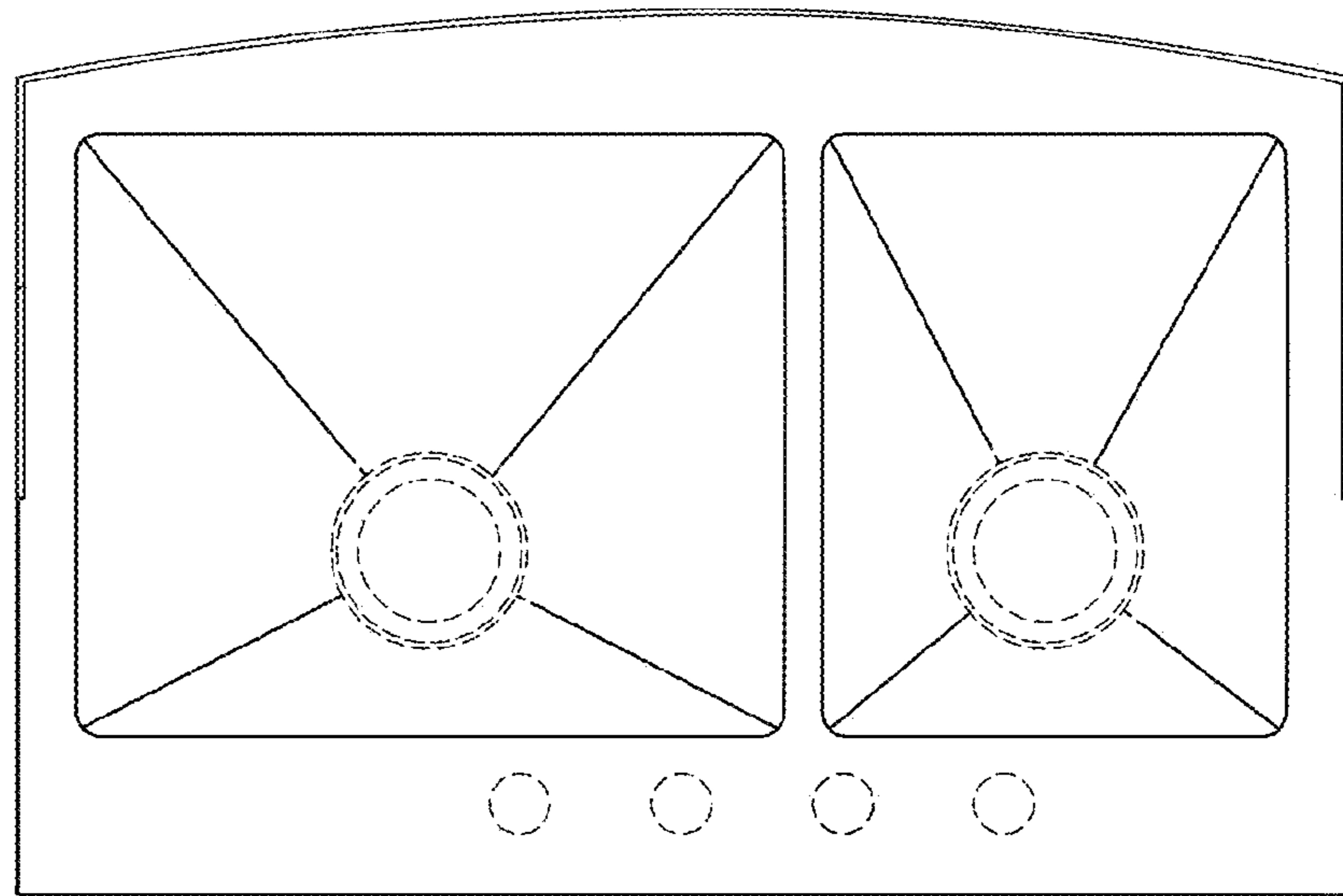


FIG. 4

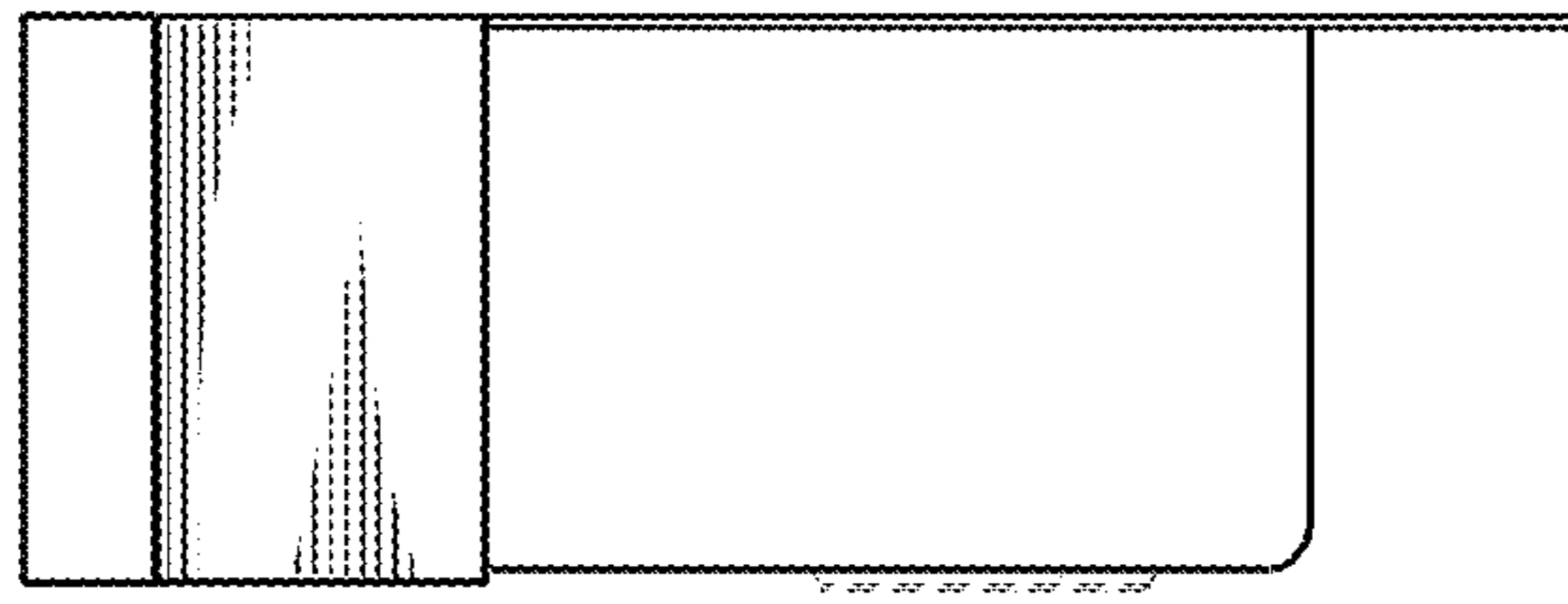


FIG. 5



FIG. 6



FIG. 7

