



US00D914168S

(12) **United States Design Patent**
Parisio et al.

(10) **Patent No.:** **US D914,168 S**
(45) **Date of Patent:** **** Mar. 23, 2021**

- (54) **SINK**
- (71) Applicant: **CERAMICA CIELO S.p.A.**, Fabbrica di Roma (IT)
- (72) Inventors: **Andrea Parisio**, Fabbrica di Roma (IT); **Giuseppe Pezzano**, Fabbrica di Roma (IT)
- (73) Assignee: **CERAMICA CIELO S.P.A.**, Fabbrica di Roma (IT)
- (**) Term: **15 Years**
- (21) Appl. No.: **29/657,031**
- (22) Filed: **Jul. 18, 2018**

- D544,588 S * 6/2007 Kirar D23/308
- D588,242 S * 3/2009 Hanna D23/284
- D640,486 S * 6/2011 Saelid D6/656.15
- D645,125 S * 9/2011 Palomba D23/284
- D713,513 S * 9/2014 Chen D23/284
- D823,994 S * 7/2018 Kergoet D23/284

FOREIGN PATENT DOCUMENTS

CN 200830302261 * 11/2008

OTHER PUBLICATIONS

Amazon, Clickbasin Bathroom Belfast Set, posted Nov. 13, 2014, [online], [visited Mar. 26, 2020]. Internet, <URL: https://www.amazon.co.uk/clickbasin-Bathroom-Belfast-Wooden-VERONA/dp/B00PH12TWE/ref=sr_1_161?keywords=bathroom+vanity&qid=1585258735&sr=8-161> (Year: 2014).*

* cited by examiner

Primary Examiner — Sheryl Lane
Assistant Examiner — Samantha N Wood
(74) *Attorney, Agent, or Firm* — Thomas | Horstemeyer, LLP

(30) **Foreign Application Priority Data**

Feb. 2, 2018 (EM) 004692275

(51) **LOC (13) Cl.** **23-02**

(52) **U.S. Cl.**
USPC **D23/286**

(58) **Field of Classification Search**
USPC ... D23/270, 284, 285, 286, 287, 293.1, 290, D23/304, 308, 499; D6/524, 573, D6/663-665, 641, 691.7
CPC E03C 1/04; E03C 1/12; E03C 1/01; A47K 1/00; A47K 1/12; A47K 1/04
See application file for complete search history.

(57) **CLAIM**

The ornamental design for a sink, as shown and described.

DESCRIPTION

FIG. 1 is a perspective view of a sink showing our new design;
FIG. 2 is a front view thereof;
FIG. 3 is a side view thereof; and
FIG. 4 is a side view thereof, opposite that of FIG. 3; and,
FIG. 5 is a top view thereof.
The broken lines in the drawings illustrate portions of the sink that form no part of the claimed design.

(56) **References Cited**

U.S. PATENT DOCUMENTS

- D24,882 S * 11/1895 Nichols D23/308
- D225,954 S * 1/1973 Schachel D6/664
- D461,941 S * 8/2002 Underbrink D34/14
- D463,646 S * 9/2002 Pai D34/19
- D484,222 S * 12/2003 Zenobio D23/293.1
- D538,903 S * 3/2007 Paterson D23/293.1

1 Claim, 5 Drawing Sheets

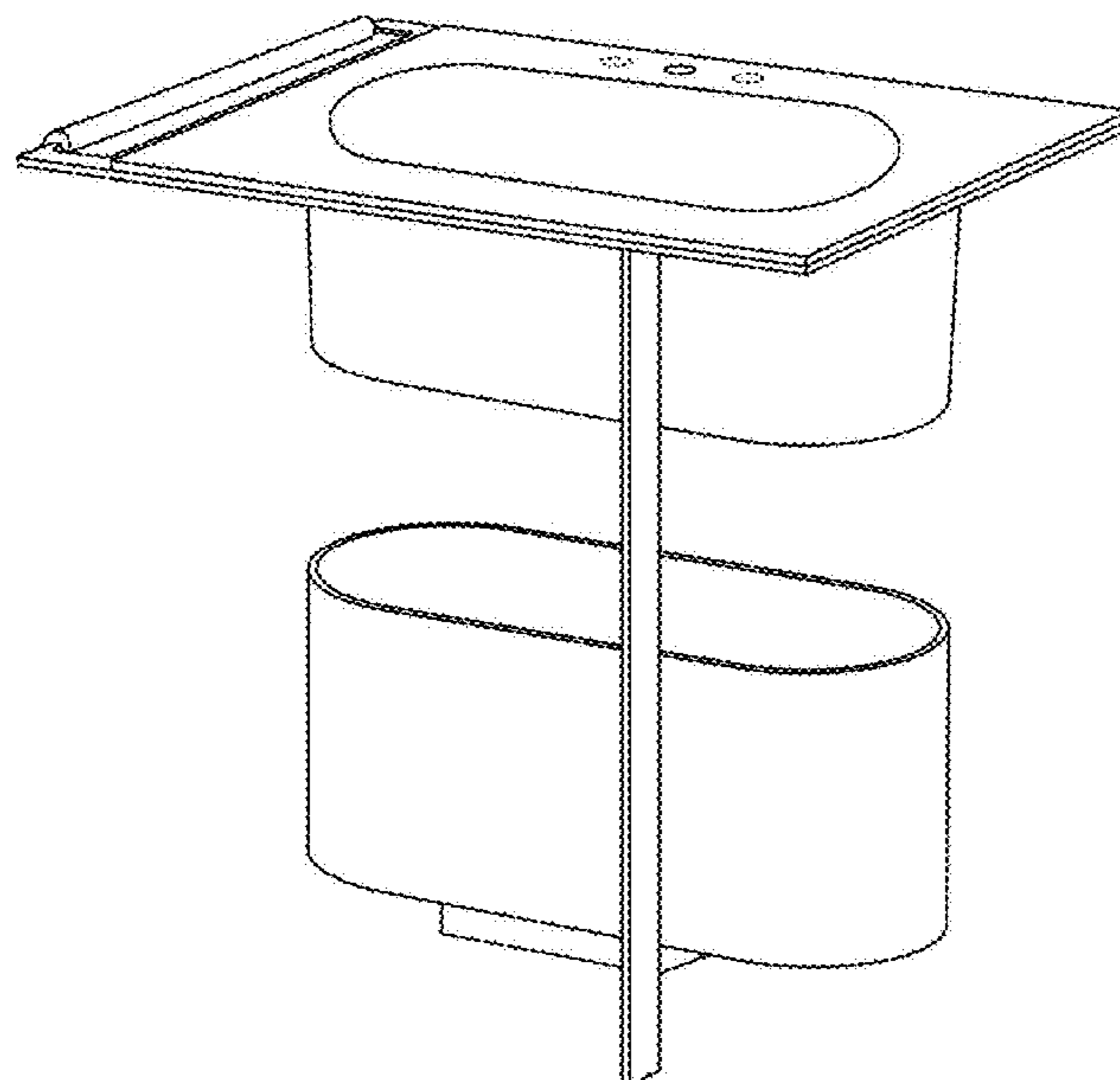




FIG. 1

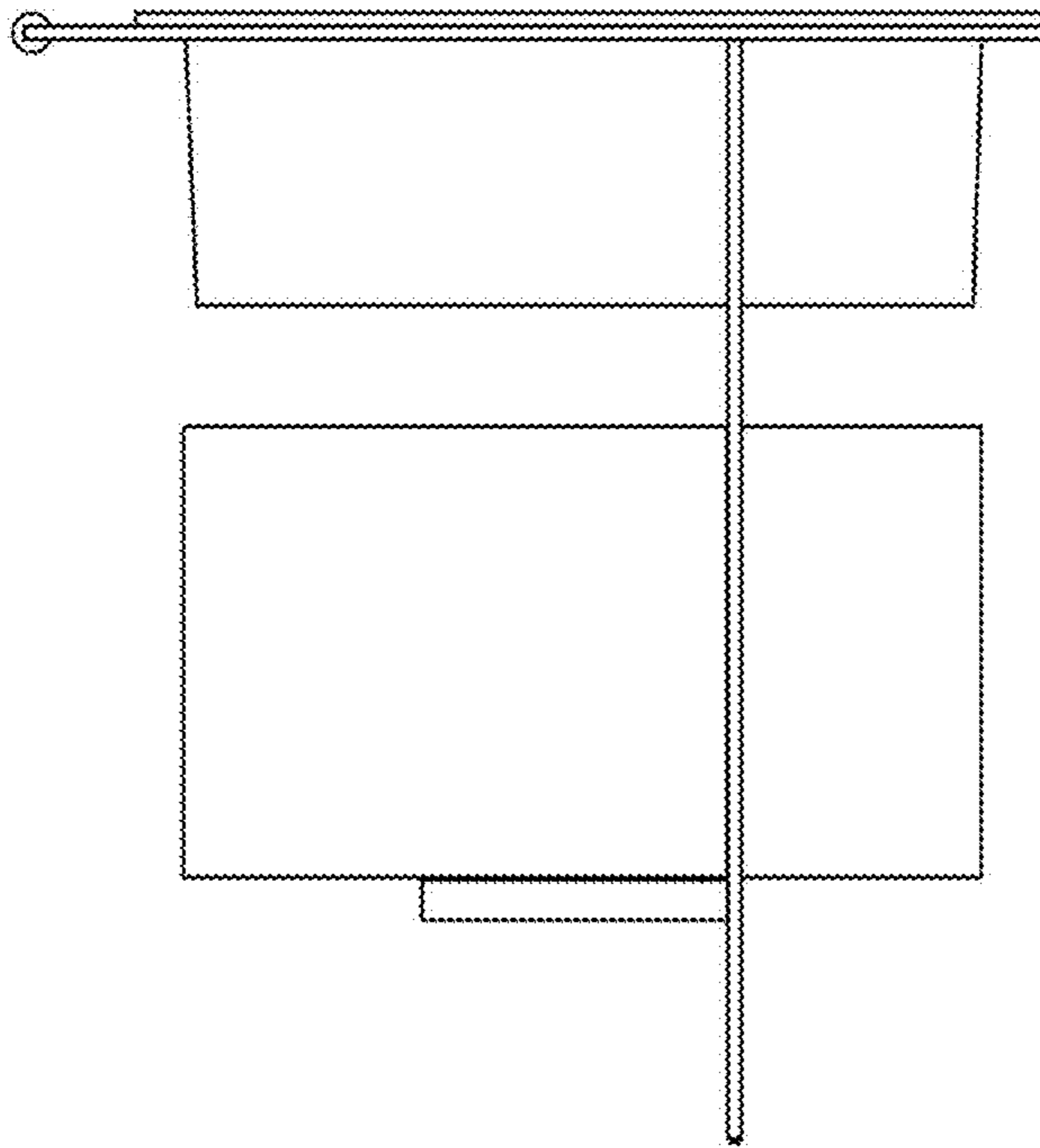


FIG. 2

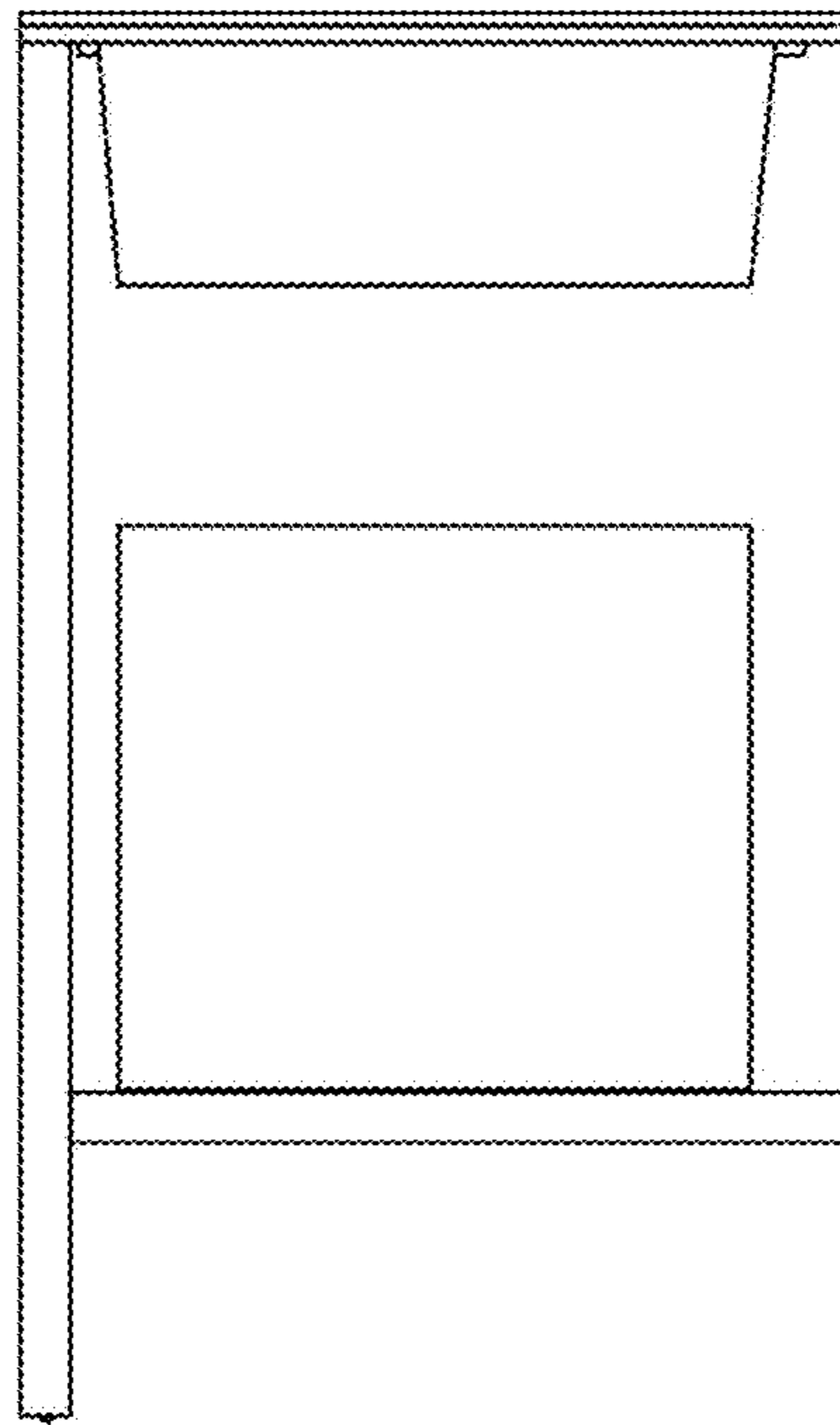


FIG. 3

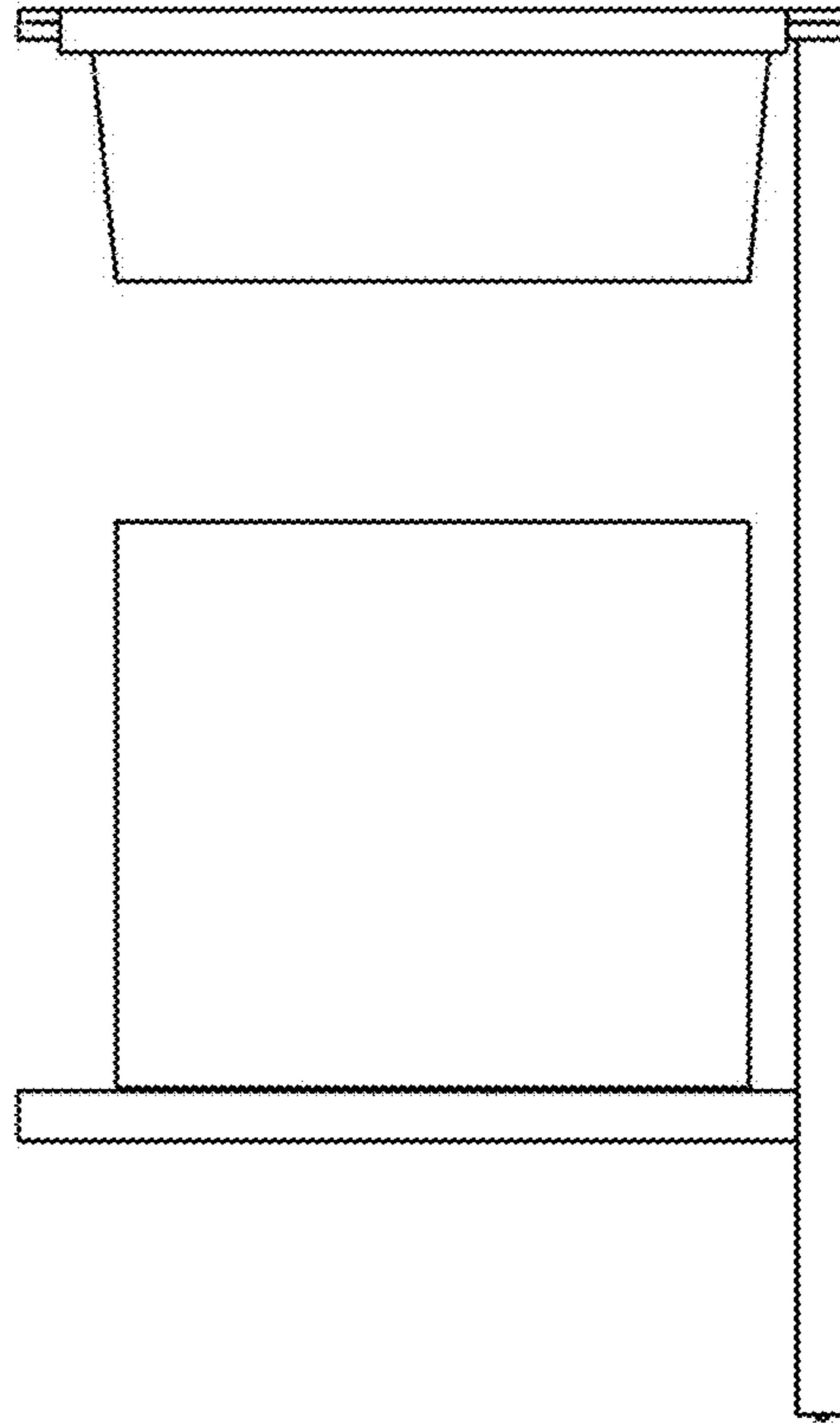


FIG. 4

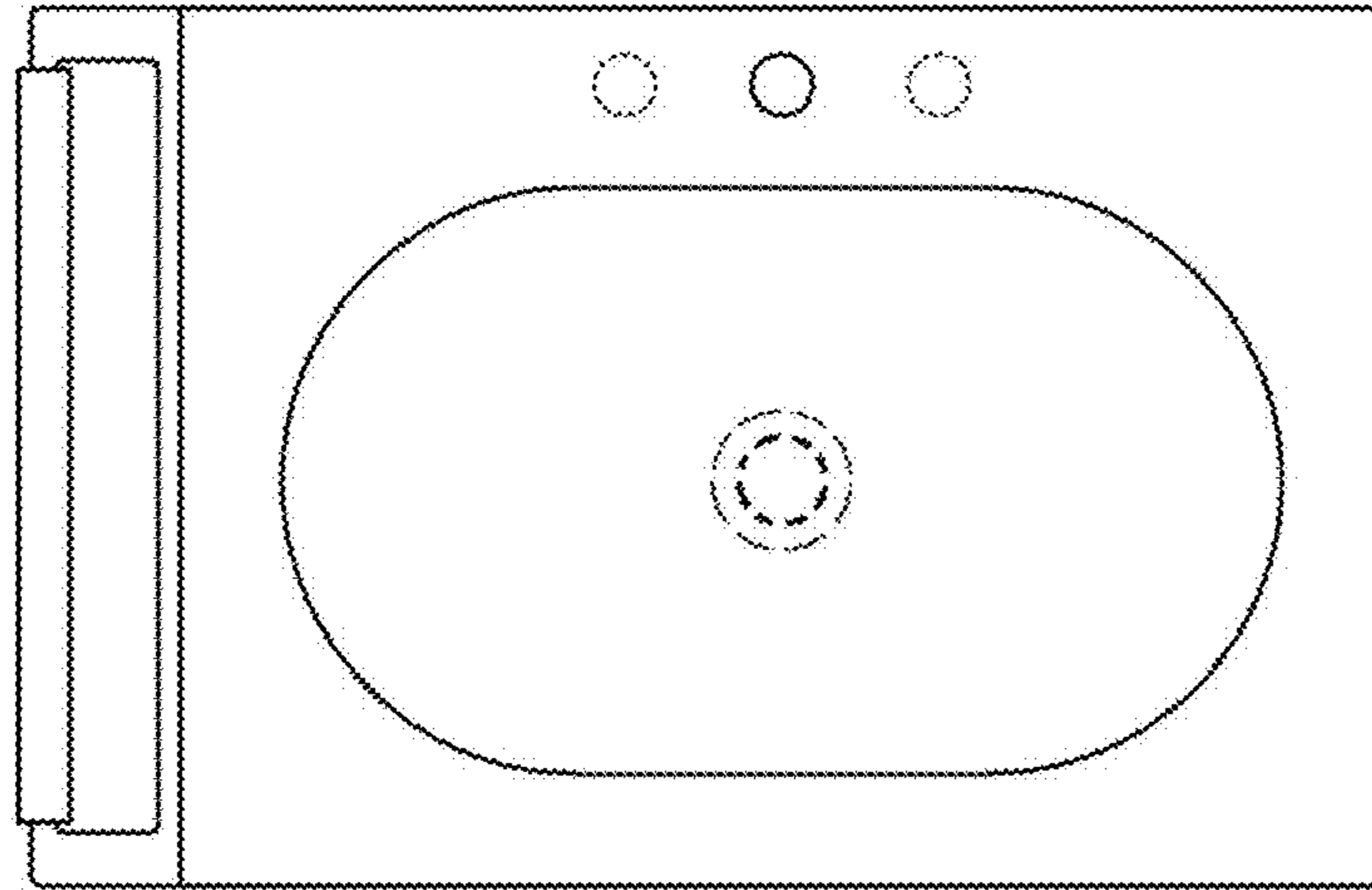


FIG. 5