

US00D914167S

(12) **United States Design Patent** (10) **Patent No.:** **US D914,167 S**
Parisio et al. (45) **Date of Patent:** **** Mar. 23, 2021**

(54) **WASHBASIN**

FOREIGN PATENT DOCUMENTS

(71) Applicant: **CERAMICA CIELO S.p.A.**, Fabbrica di Roma (IT)

EM 001446679-0001 * 4/2016

(72) Inventors: **Andrea Parisio**, Fabbrica di Roma (IT); **Giuseppe Pezzano**, Fabbrica di Roma (IT)

OTHER PUBLICATIONS

(73) Assignee: **CERAMICA CIELO S.p.A.**, Fabbrica di Roma (IT)

Architonic, FINE Counter by Sanwa Company, launched in 2016, [online], [visited Mar. 26, 2020]. Internet, <URL: <https://www.architonic.com/en/product/sanwa-company-fine-counter/1452360>> (Year: 2016).*

(**) Term: **15 Years**

Architonic, Kartell by LAUFEN, launched 2013, [online], [visited Mar. 26, 2020]. Internet, <URL: <https://www.architonic.com/en/product/laufen-kartell-by-laufen-vanity-unit/1200935>> (Year: 2013).*
Architonic, CNC 90 bathroom unit by Zaninelli, launched 2010, [online], [visited Mar. 26, 2020]. Internet, <URL: <https://www.architonic.com/en/product/zaninelli-cnc-90-bathroom-unit/1250113>> (Year: 2010).*

(21) Appl. No.: **29/641,320**

* cited by examiner

(22) Filed: **Mar. 21, 2018**

(30) **Foreign Application Priority Data**

Primary Examiner — Sheryl Lane

Sep. 22, 2017 (EM) 001464010

Assistant Examiner — Samantha N Wood

(51) **LOC (13) Cl.** **23-02**

(74) *Attorney, Agent, or Firm* — Thomas | Horstemeyer, LLP

(52) **U.S. Cl.**
USPC **D23/286**

(58) **Field of Classification Search**
USPC ... D23/270, 284, 285, 286, 287, 293.1, 290, D23/304, 308, 499; D6/524, 573, D6/663–665, 641, 691.7
CPC E03C 1/04; E03C 1/12; E03C 1/01; A47K 1/00; A47K 1/12; A47K 1/04
See application file for complete search history.

(57) **CLAIM**

The ornamental design for a washbasin, as shown and described.

DESCRIPTION

(56) **References Cited**

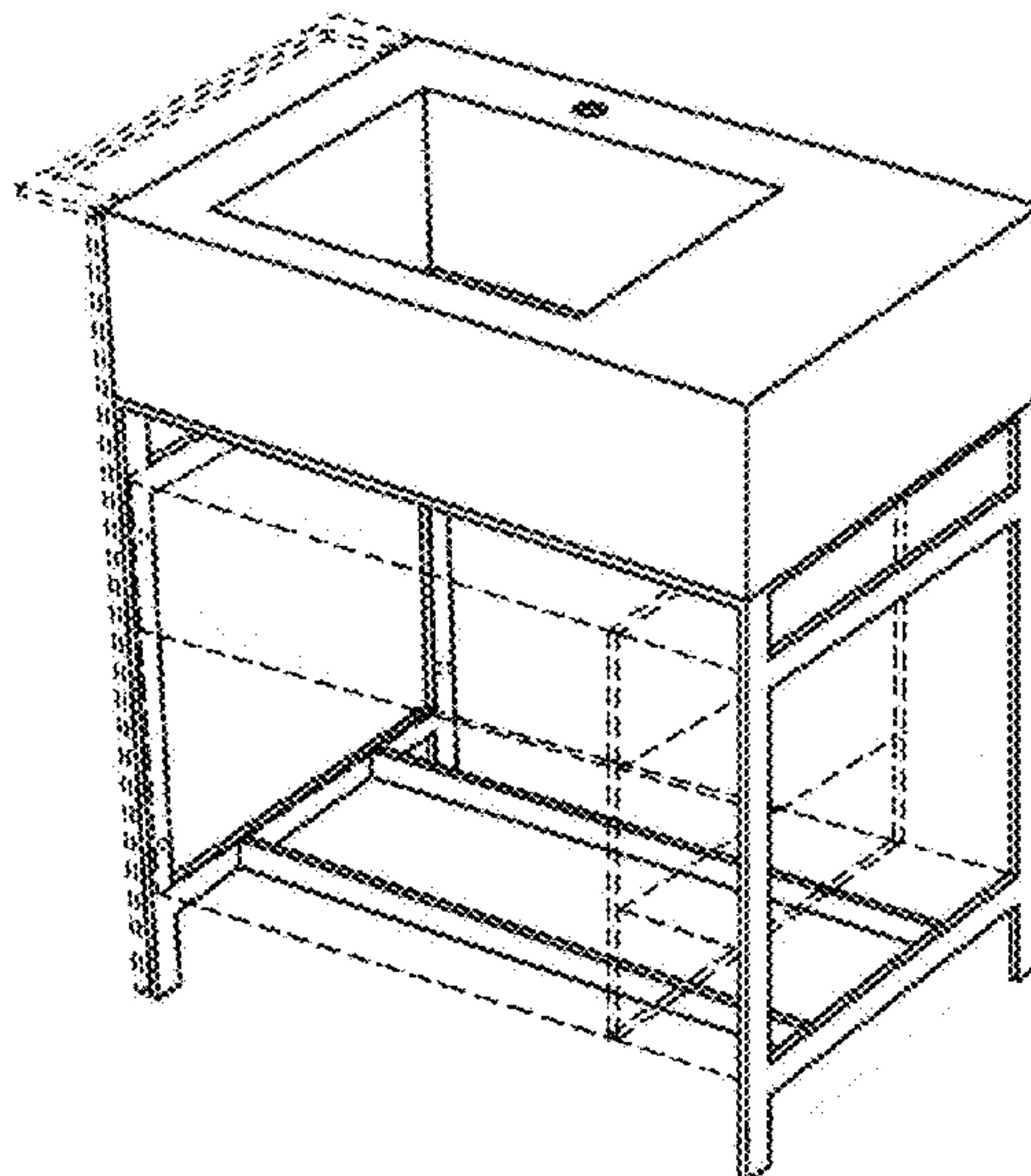
U.S. PATENT DOCUMENTS

D446,575 S * 8/2001 Ferrer Beltran D23/293.1
D447,793 S * 9/2001 Ferrer Beltran D23/284
D463,538 S * 9/2002 Chipperfield D23/284
D560,783 S * 1/2008 Marshall D23/293.1
D777,304 S * 1/2017 Esteve D23/286
D823,994 S * 7/2018 Kergoet D23/284

FIG. 1 is a perspective view of a washbasin showing our new design;
FIG. 2 is a front elevational view thereof;
FIG. 3 is a rear elevational view thereof, opposite that of FIG. 2;
FIG. 4 is a side elevational view thereof;
FIG. 5 is a side elevational view thereof, opposite that of FIG. 4; and,
FIG. 6 is a top view thereof.

The broken lines shown in the drawings illustrate portions of the washbasin that form no part of the claimed design.

1 Claim, 6 Drawing Sheets



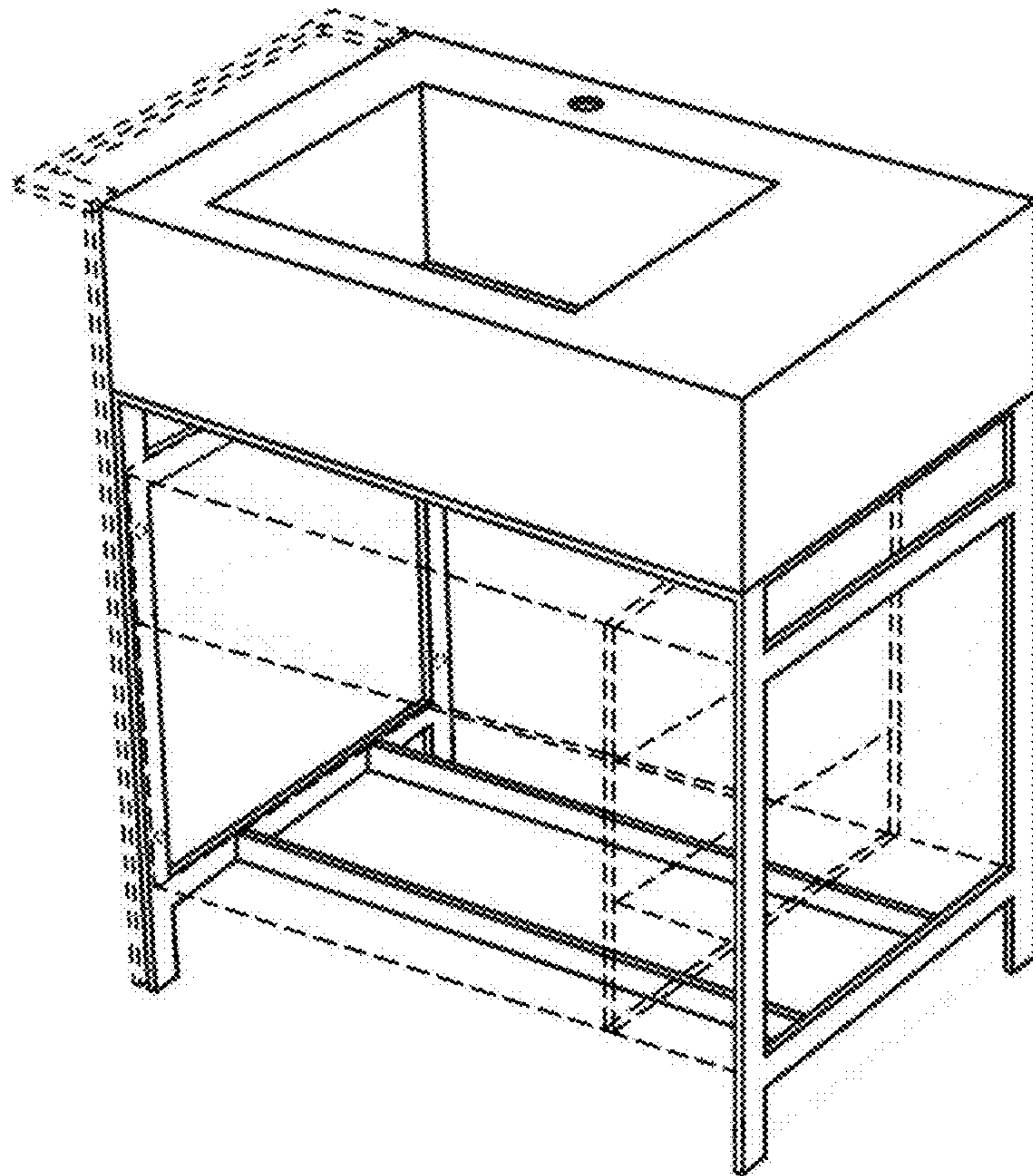


FIG. 1

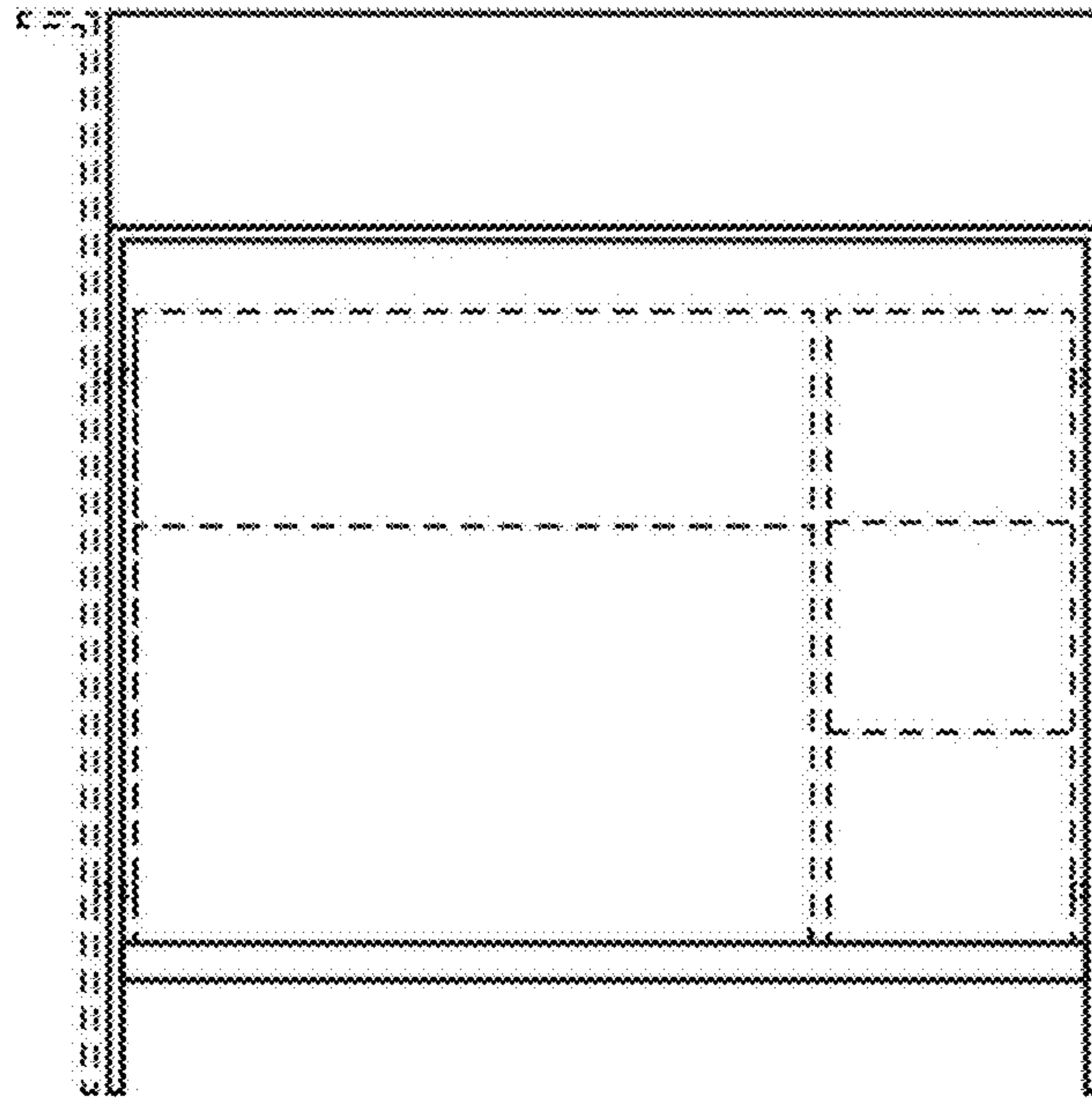


FIG. 2

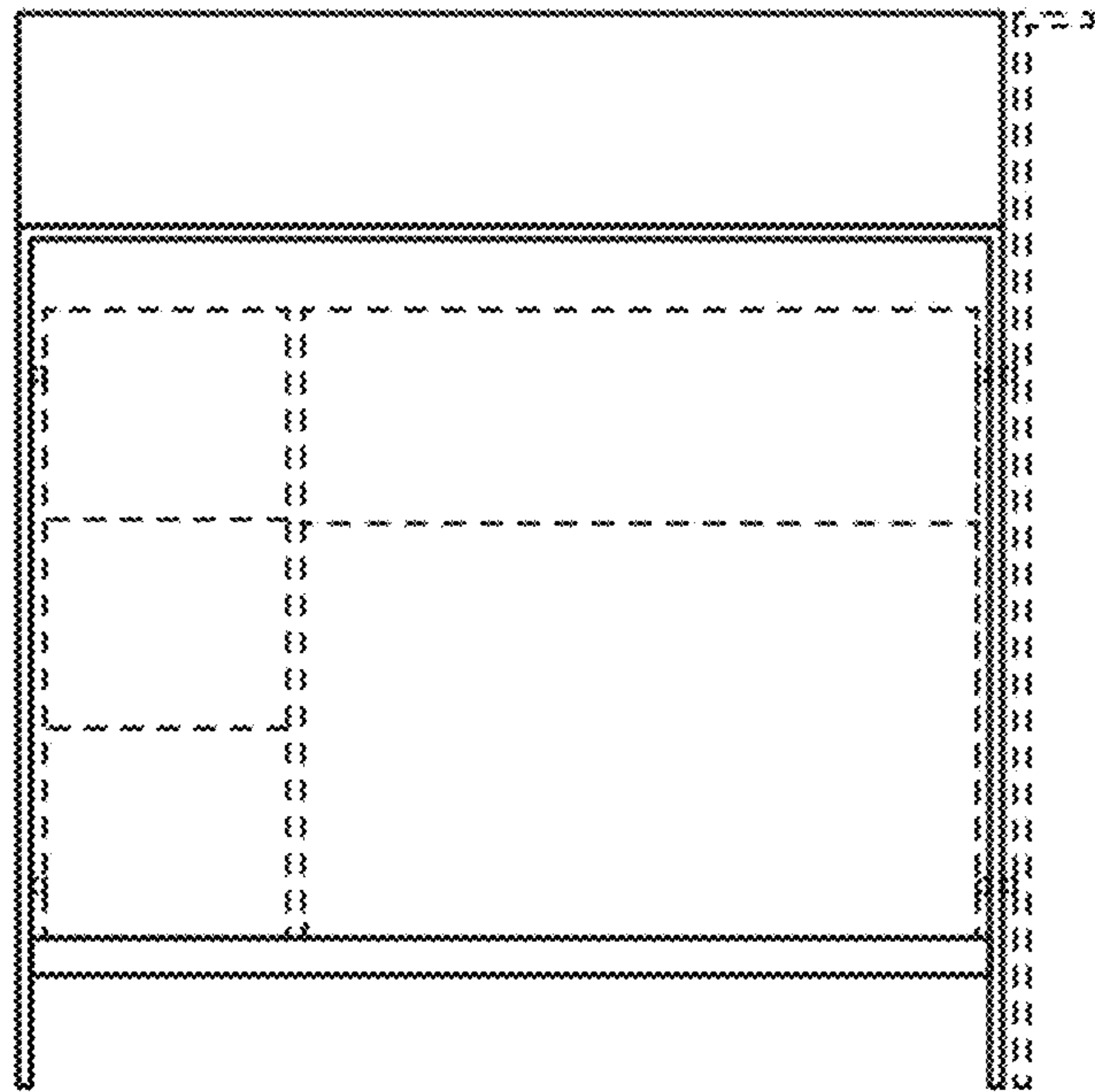


FIG. 3

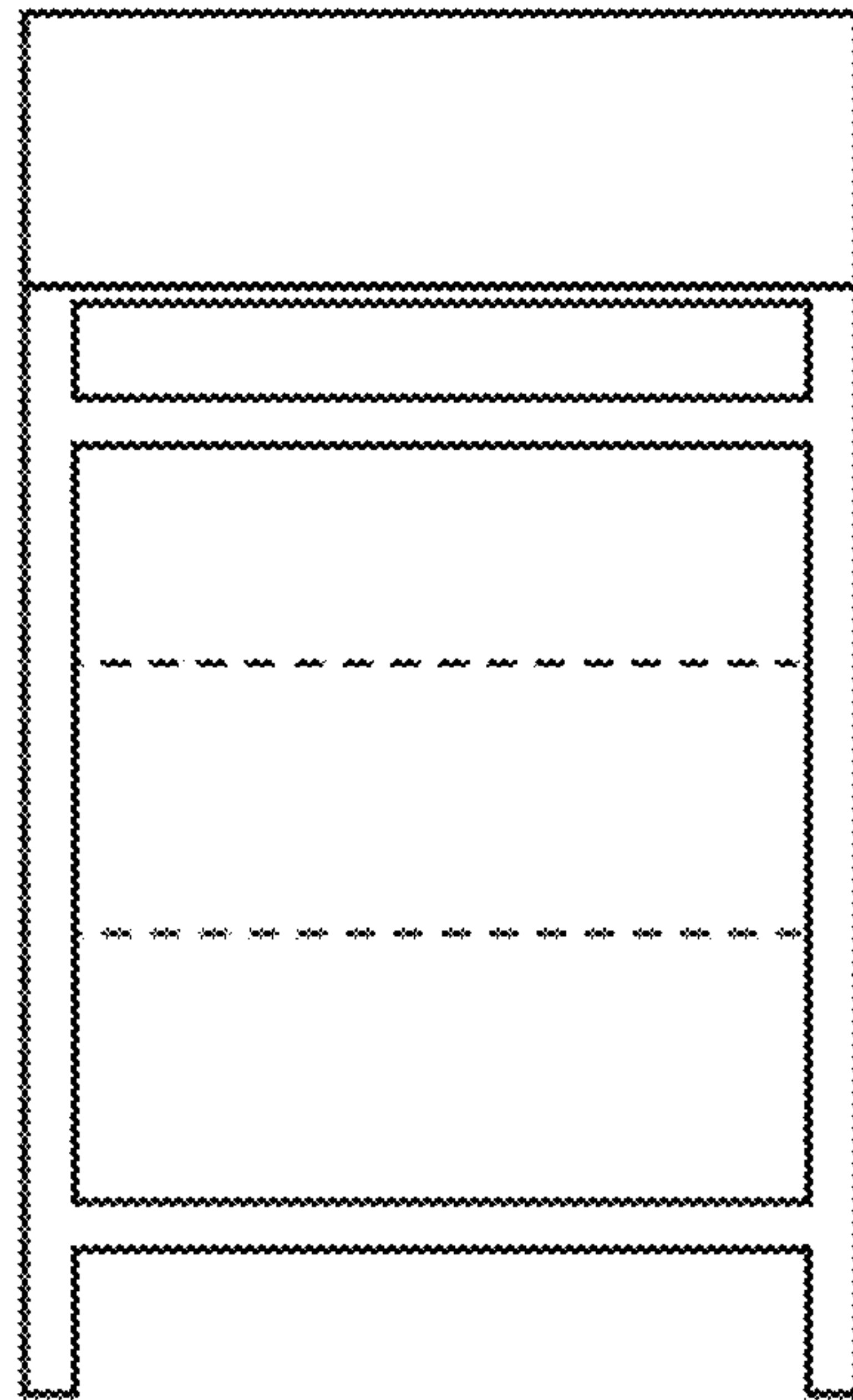


FIG. 4

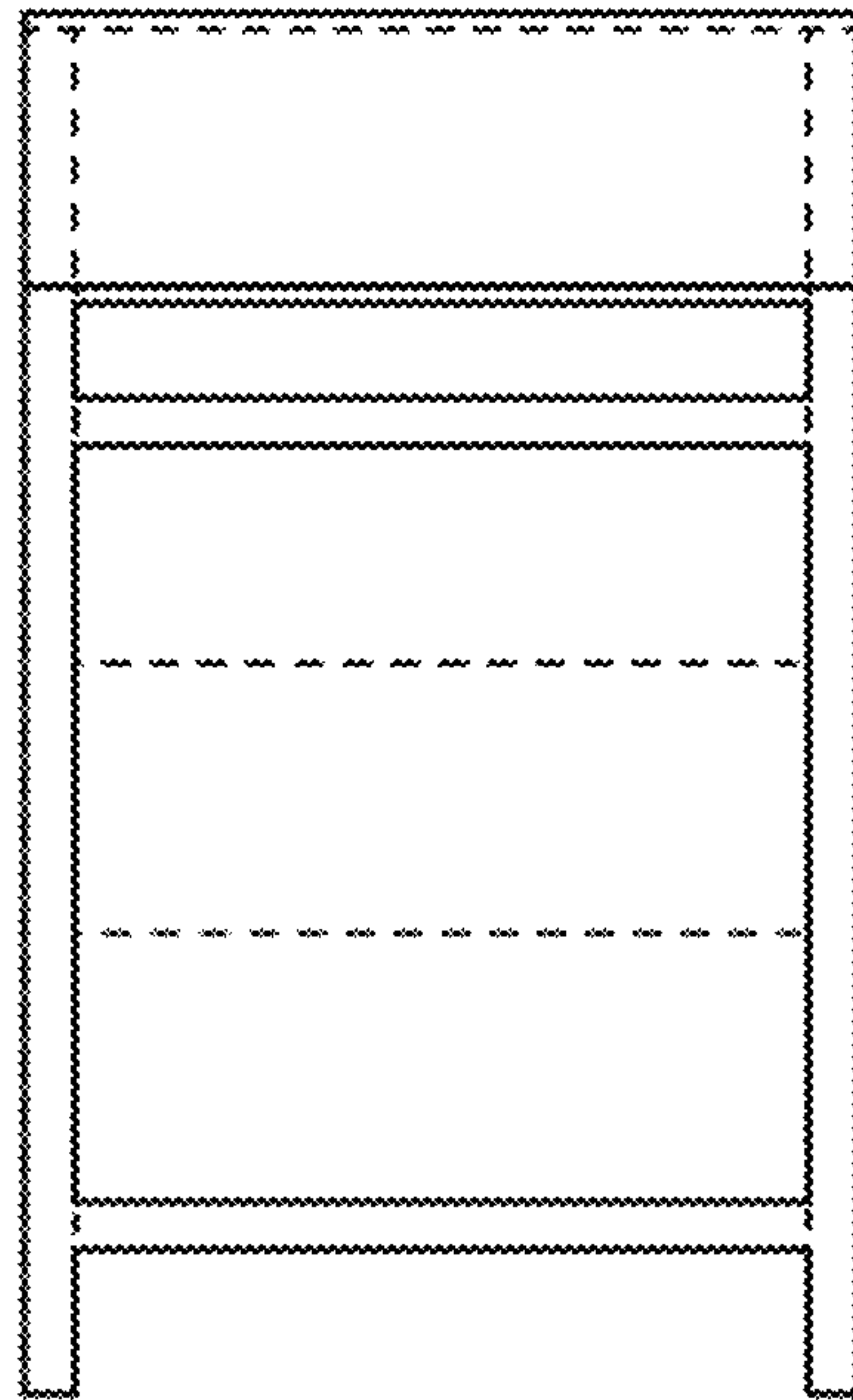


FIG. 5

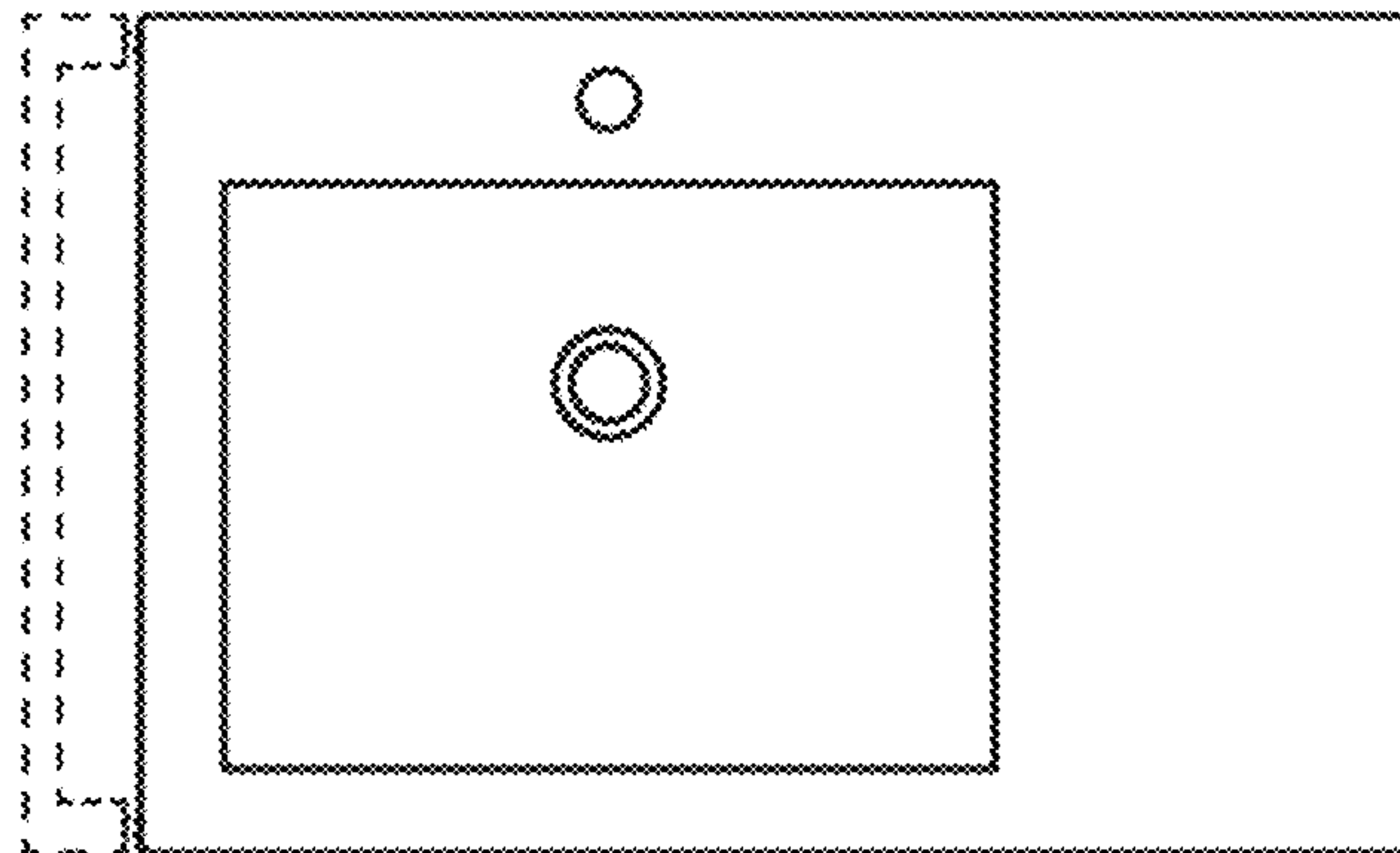


FIG. 6