

US00D914166S

(12) **United States Design Patent**
Diefenbach et al.

(10) **Patent No.:** **US D914,166 S**
(45) **Date of Patent:** **** Mar. 23, 2021**

(54) **SINK STRAINER**
(71) Applicant: **Hansgrohe SE**, Schiltach (DE)
(72) Inventors: **Andreas Diefenbach**,
Ludwigsburg-Oßweil (DE); **Philip**
Heinrich, Stuttgart (DE)
(73) Assignee: **Hansgrohe SE**, Schiltach (DE)
(**) Term: **15 Years**

D396,913 S * 8/1998 Forbrich D32/56
D449,873 S * 10/2001 Bronson D23/261
7,568,239 B2 * 8/2009 Spruner von Mertz
A47J 47/005
4/654
D630,306 S * 1/2011 Seehoff D23/261
D670,362 S * 11/2012 Eylon D23/261
D672,621 S * 12/2012 Eilmus D7/667
D673,246 S * 12/2012 Lee D23/260
D692,200 S * 10/2013 Lee D32/55
D697,378 S * 1/2014 Eilmus D7/667
D731,261 S * 6/2015 Hauser D7/667
D821,042 S * 6/2018 Veness D30/161

(21) Appl. No.: **29/701,905**

* cited by examiner

(22) Filed: **Aug. 15, 2019**

Primary Examiner — Amy C Wierenga

(30) **Foreign Application Priority Data**

(74) *Attorney, Agent, or Firm* — Lora J. Graentzdoerffer

Feb. 19, 2019 (EM) 006260980-0013

(51) **LOC (13) Cl.** **23-01**

(57) **CLAIM**

(52) **U.S. Cl.**
USPC **D23/261**; D32/55; D7/667

The ornamental design for a sink strainer, as shown and described.

(58) **Field of Classification Search**
USPC D23/209, 259–261, 287, 308; D7/354,
D7/357, 360–361, 368, 400, 665–669;
210/464–465, 498; D32/55–56, 53.1;
D6/553, 525; 4/652, 656, 286, 292
CPC B01D 29/035; E03C 1/186; A47J 47/00
See application file for complete search history.

DESCRIPTION

FIG. 1 is a perspective view of a sink strainer showing our design;
FIG. 2 is a front elevation view;
FIG. 3 is a rear elevation view;
FIG. 4 is a side elevation view;
FIG. 5 is a top plan view; and,
FIG. 6 is a bottom plan view.

(56) **References Cited**

U.S. PATENT DOCUMENTS

1 Claim, 6 Drawing Sheets

2,114,891 A * 4/1938 Vaughn A47L 13/58
15/260
D373,864 S * 9/1996 Pearce D32/53.1

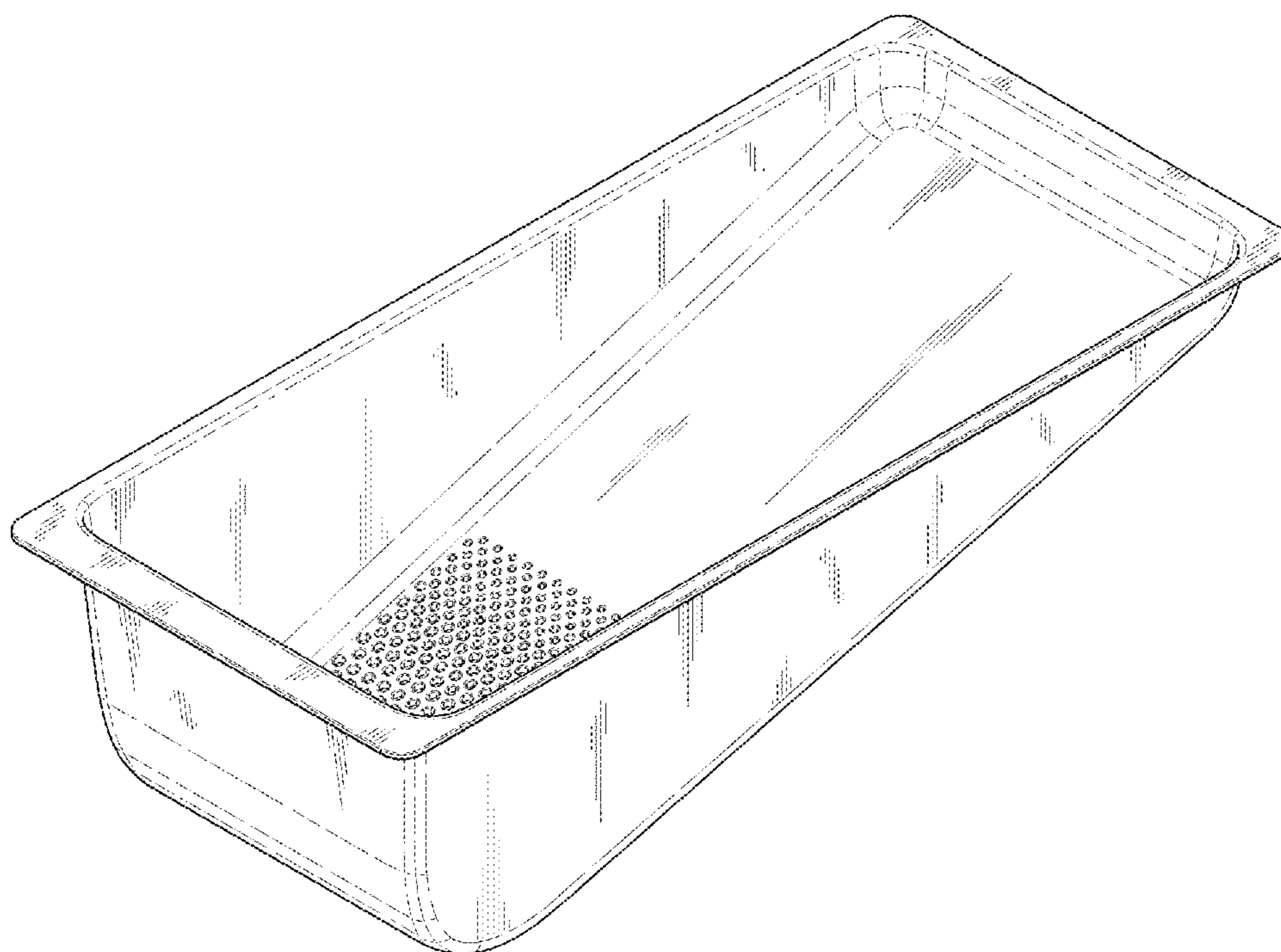


FIG. 1

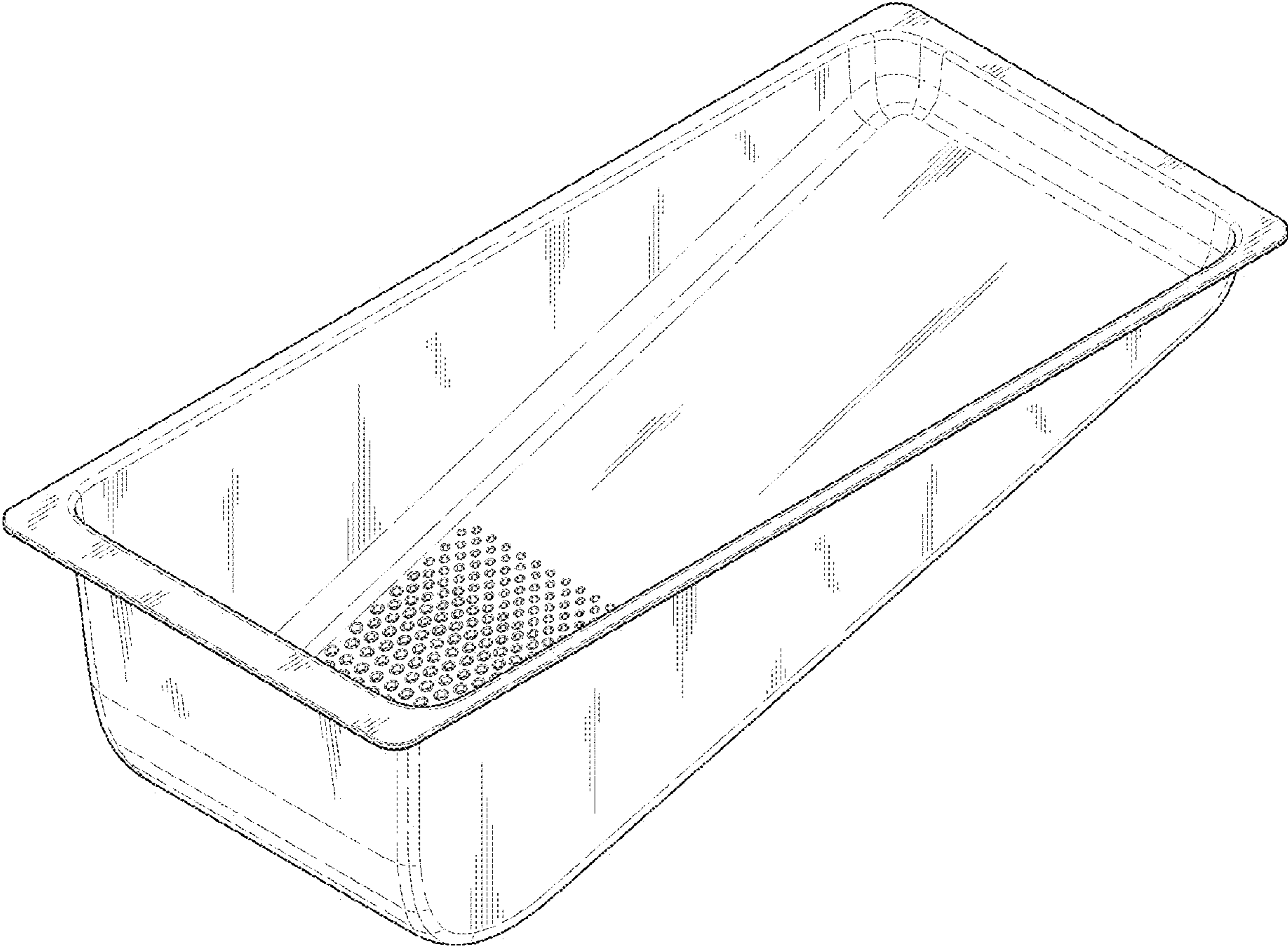


FIG. 2

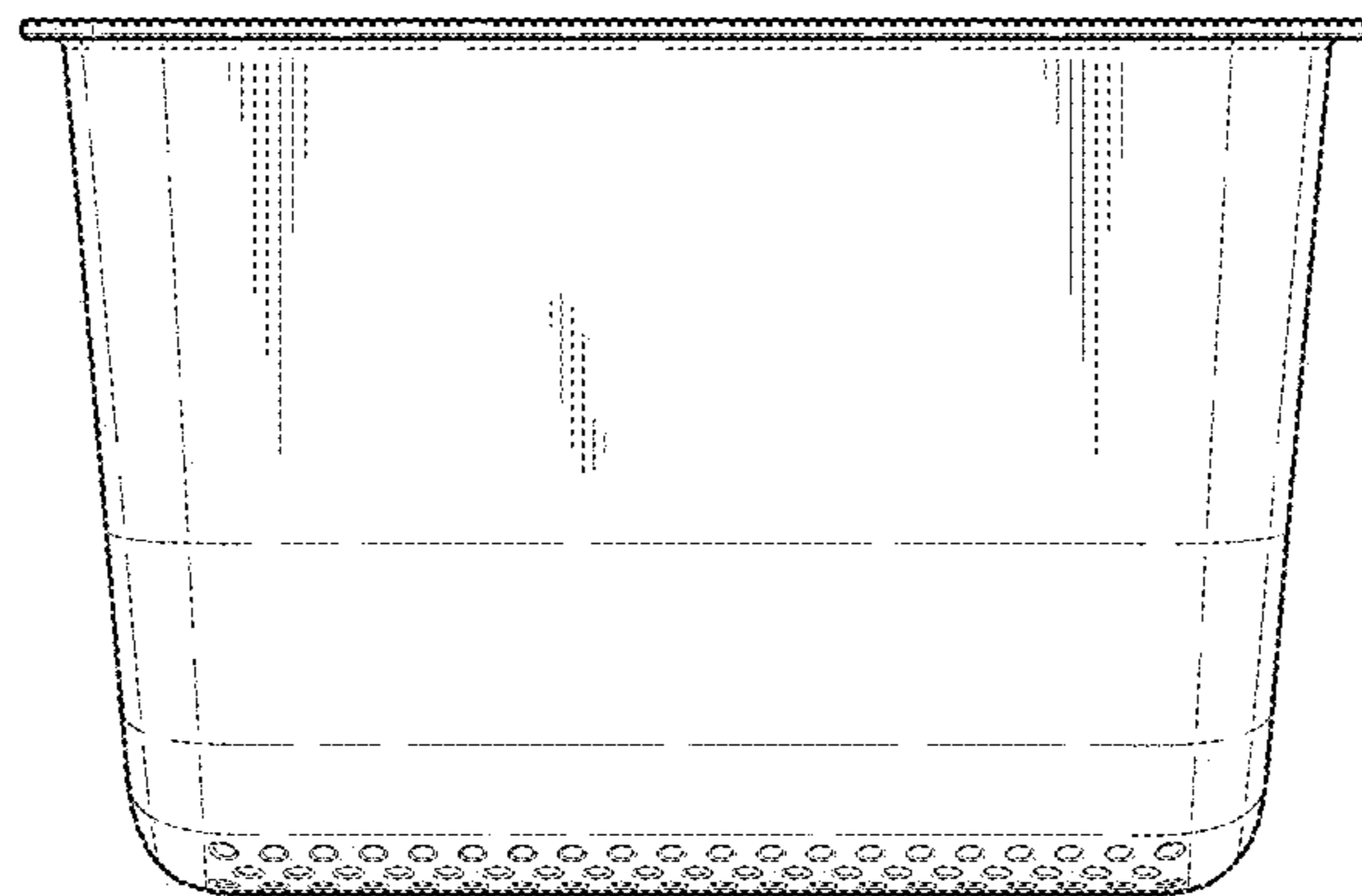


FIG. 3

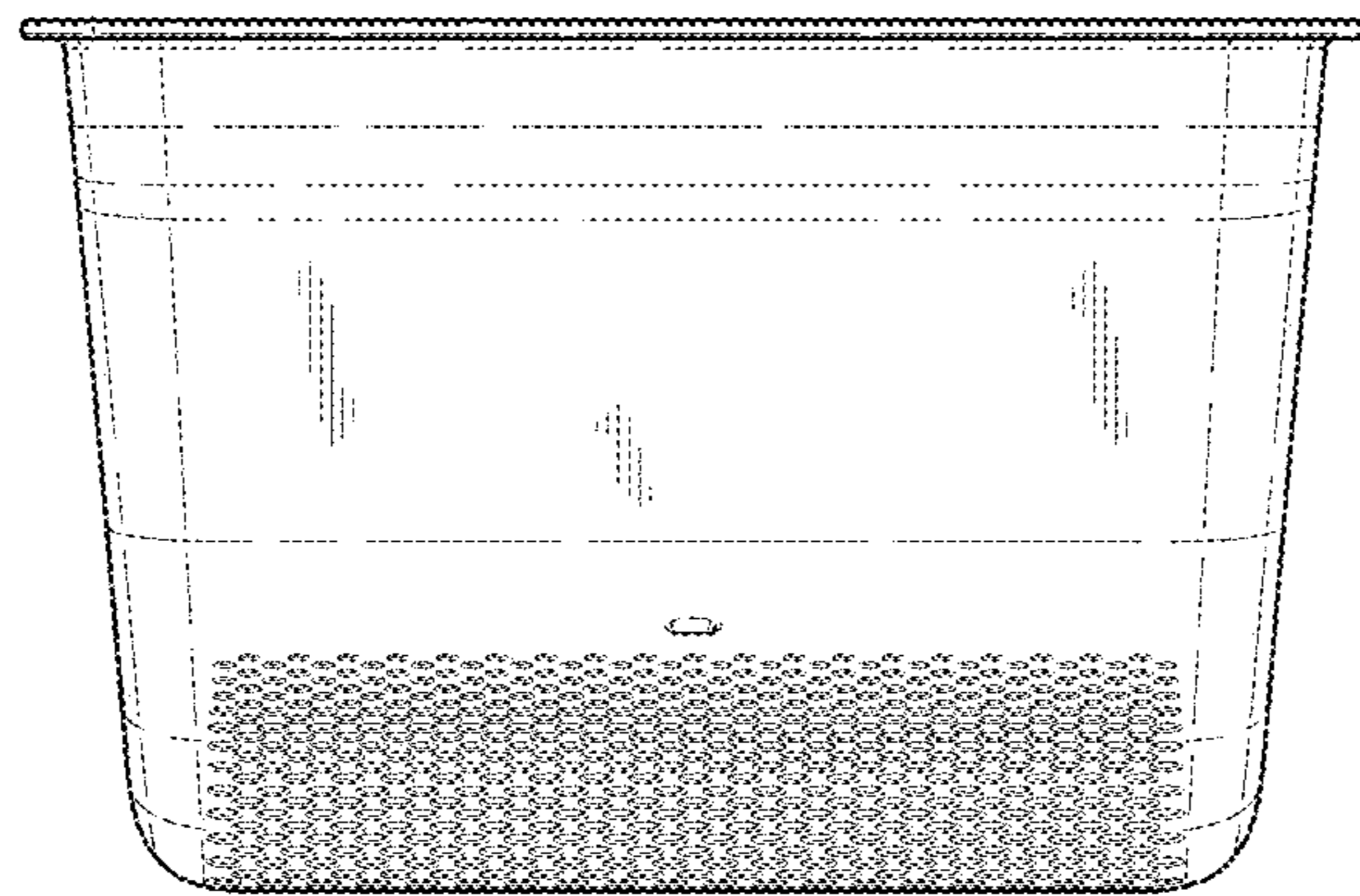


FIG. 4

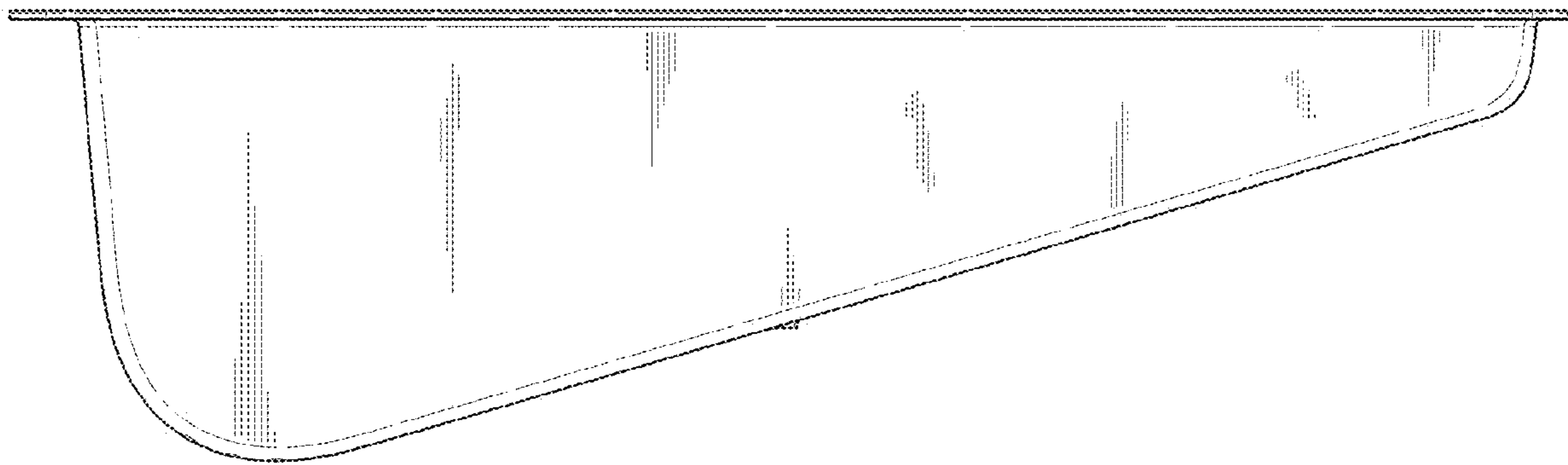


FIG. 5

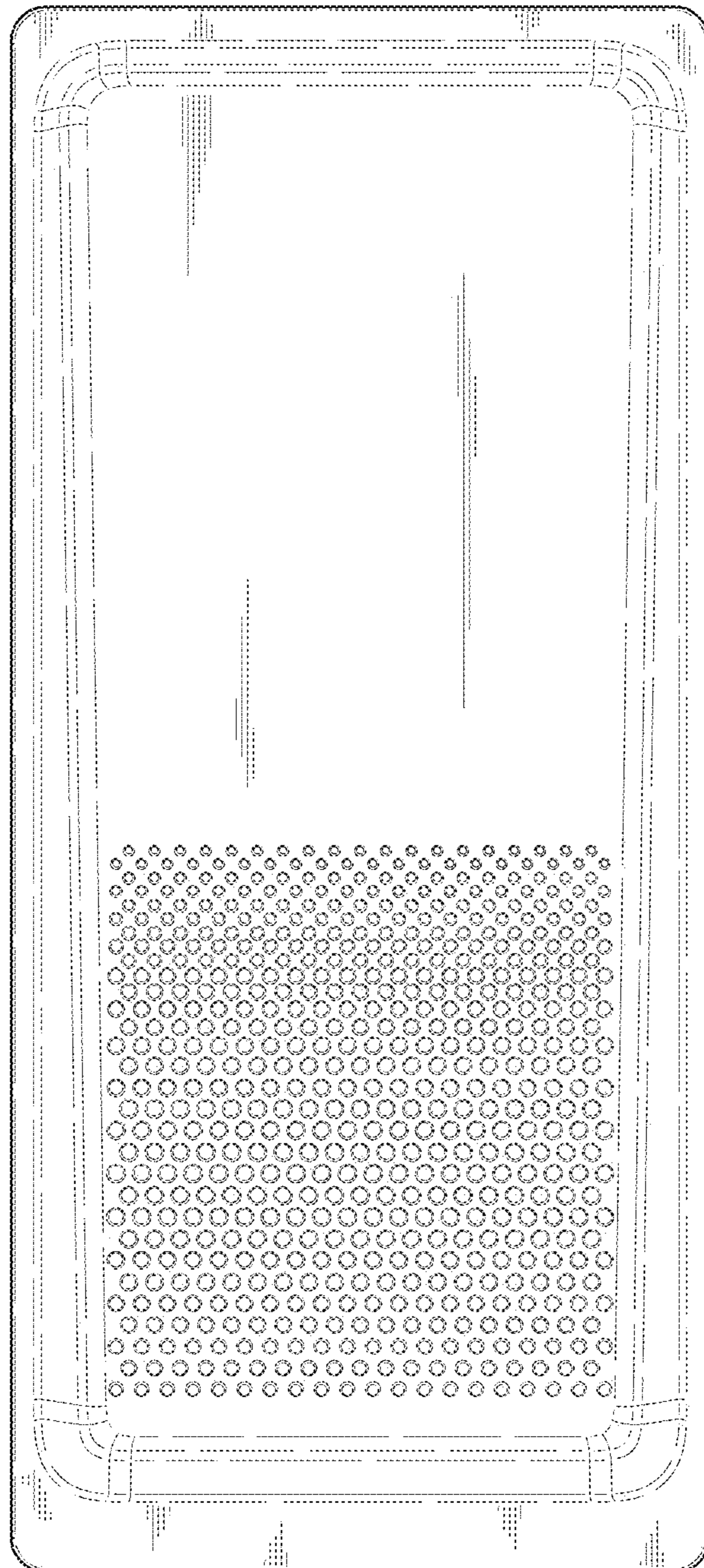


FIG. 6

