



US00D914165S

(12) **United States Design Patent**
Ji Ho et al.

(10) **Patent No.:** **US D914,165 S**

(45) **Date of Patent:** **** Mar. 23, 2021**

(54) **VALVE**

(71) Applicant: **ESSEN TECH CO., LTD.**, Incheon (KR)

(72) Inventors: **Kwak Ji Ho**, Incheon (KR); **Choi Jung-Hoon**, Incheon (KR); **Seong Ha-Yeong**, Incheon (KR)

(73) Assignee: **Essen Tech Co., Ltd.**, Incheon (KR)

(**) Term: **15 Years**

(21) Appl. No.: **29/689,276**

(22) Filed: **Apr. 29, 2019**

(51) **LOC (13) Cl.** **23-01**

(52) **U.S. Cl.**
USPC **D23/259**

(58) **Field of Classification Search**
USPC D23/245, 248, 233, 213, 249, 223–226,
D23/259, 262–266; 239/525–527
CPC F16K 11/0853; F16K 5/0407; F16K 5/12;
B05B 15/061
See application file for complete search history.

(56) **References Cited**

U.S. PATENT DOCUMENTS

D597,182 S * 7/2009 Choi D23/263
D746,951 S * 1/2016 Gledhill D23/259

D746,954 S * 1/2016 Gledhill D23/259
D746,958 S * 1/2016 Gledhill D23/262
D751,673 S * 3/2016 Gledhill D23/259
D751,674 S * 3/2016 Gledhill D23/259
D751,675 S * 3/2016 Gledhill D23/259

* cited by examiner

Primary Examiner — Gino Colan

(74) *Attorney, Agent, or Firm* — Dennemeyer & Associates, LLC

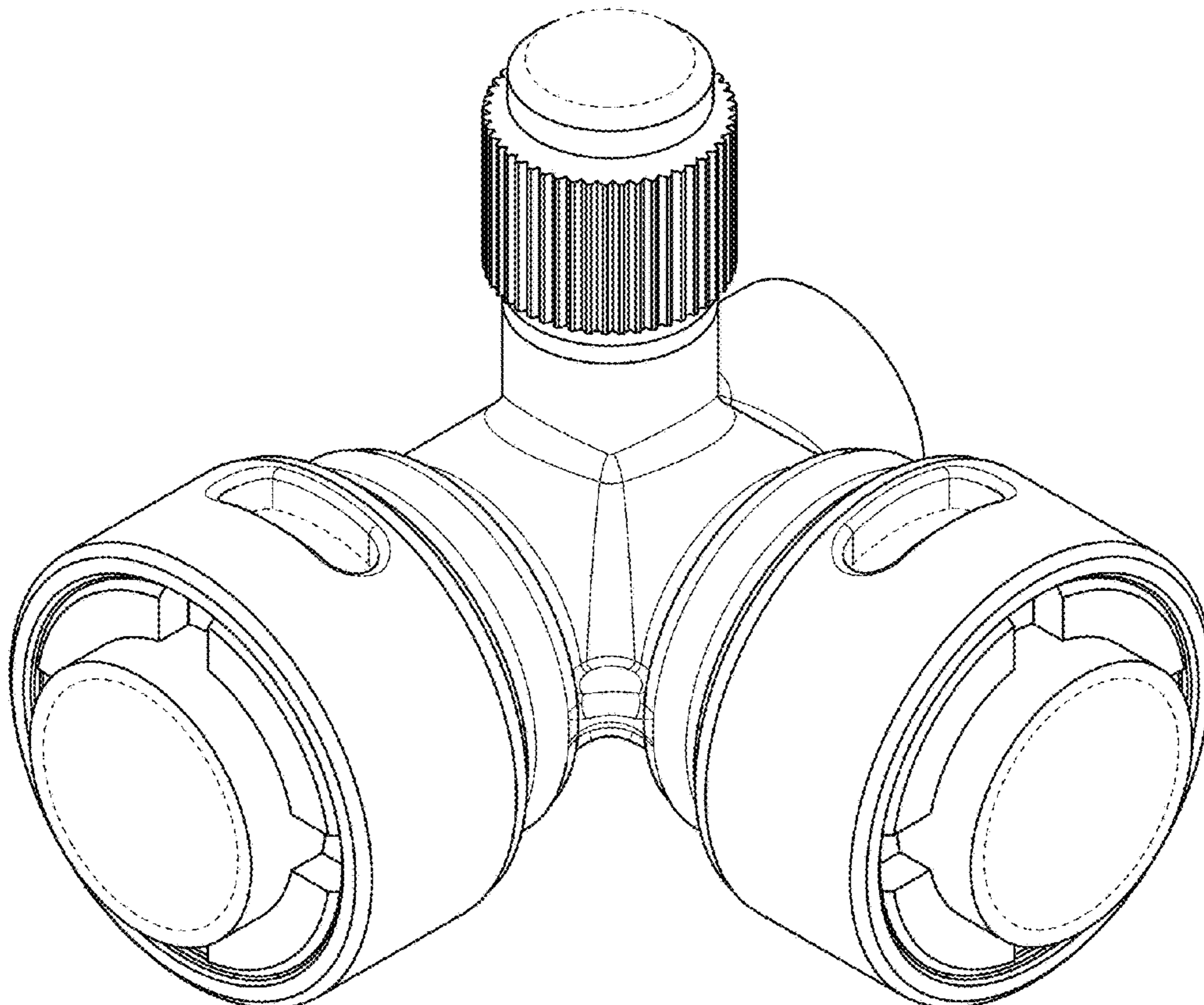
(57) **CLAIM**

The ornamental design for a valve, as shown and described.

DESCRIPTION

FIG. 1 is a perspective view of the valve;
FIG. 2 is a front side elevational view of the valve;
FIG. 3 is a rear side elevational view of the valve;
FIG. 4 is a left side elevational view of the valve;
FIG. 5 is a right side elevational view of the valve;
FIG. 6 is a top plan view of the valve; and,
FIG. 7 is a bottom plan view of the valve.
The broken lines shown in the figures are included for the purpose of illustrating portions of the valve and form no part of the claimed design.

1 Claim, 7 Drawing Sheets



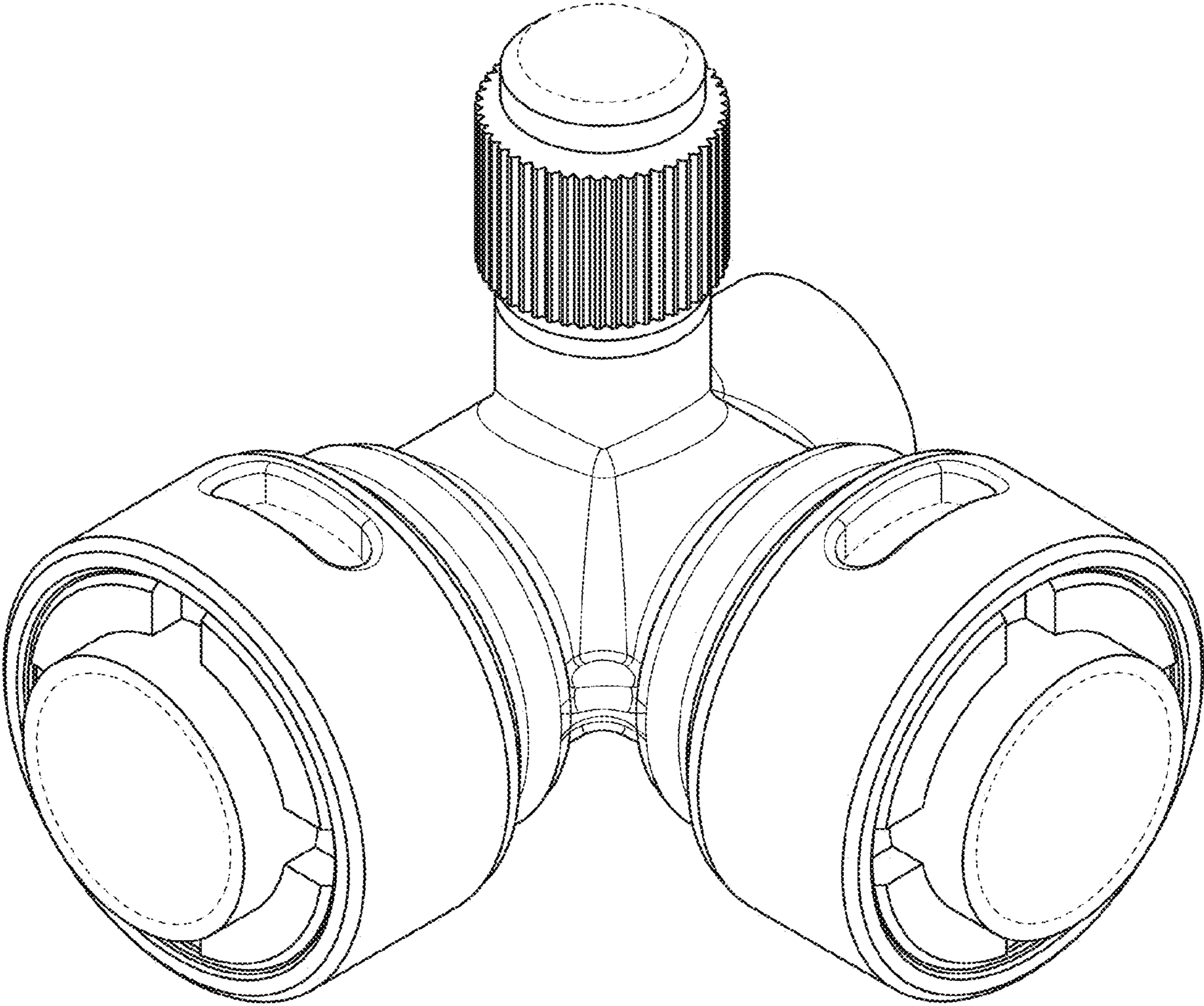


FIG. 1

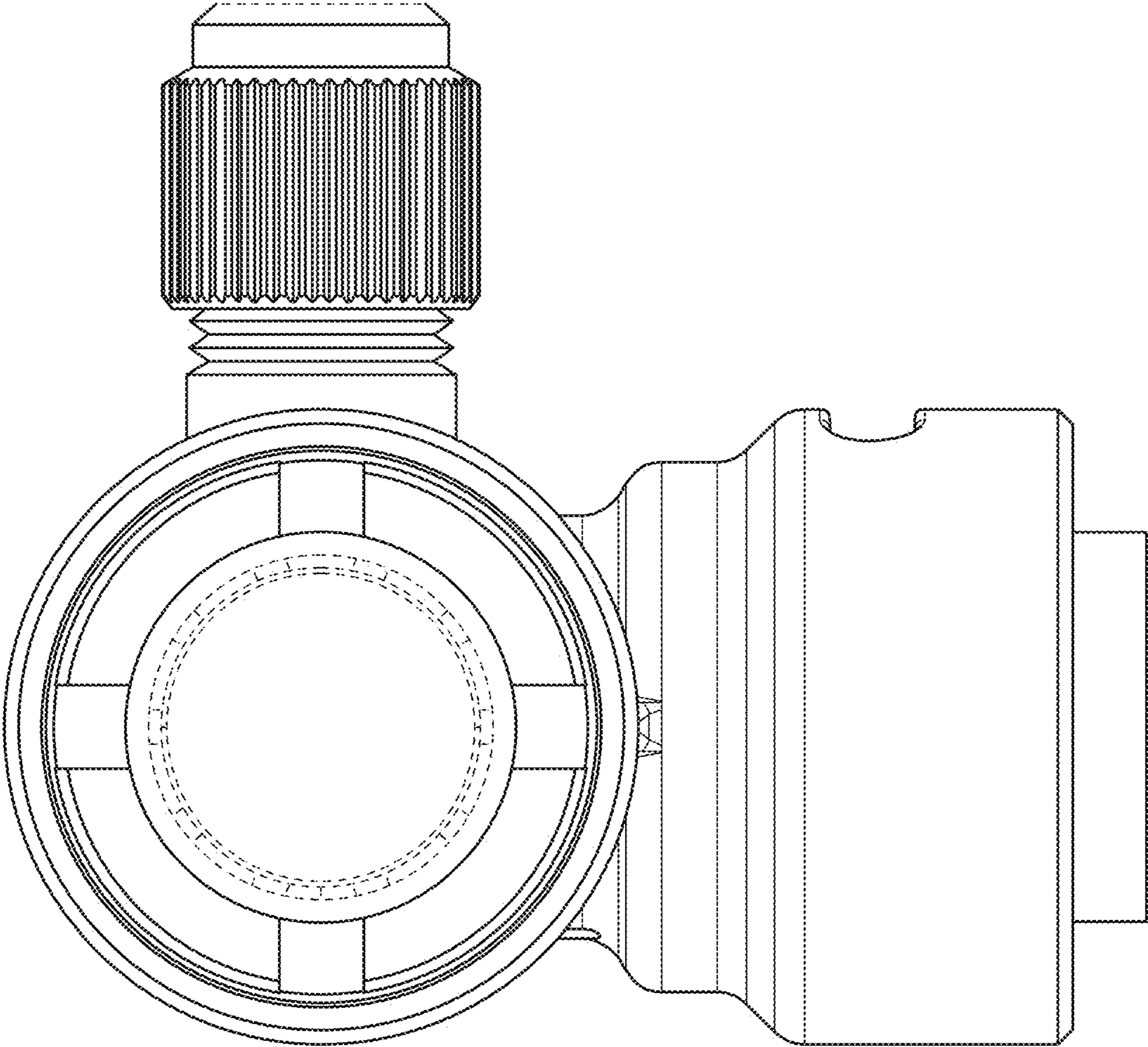


FIG. 2

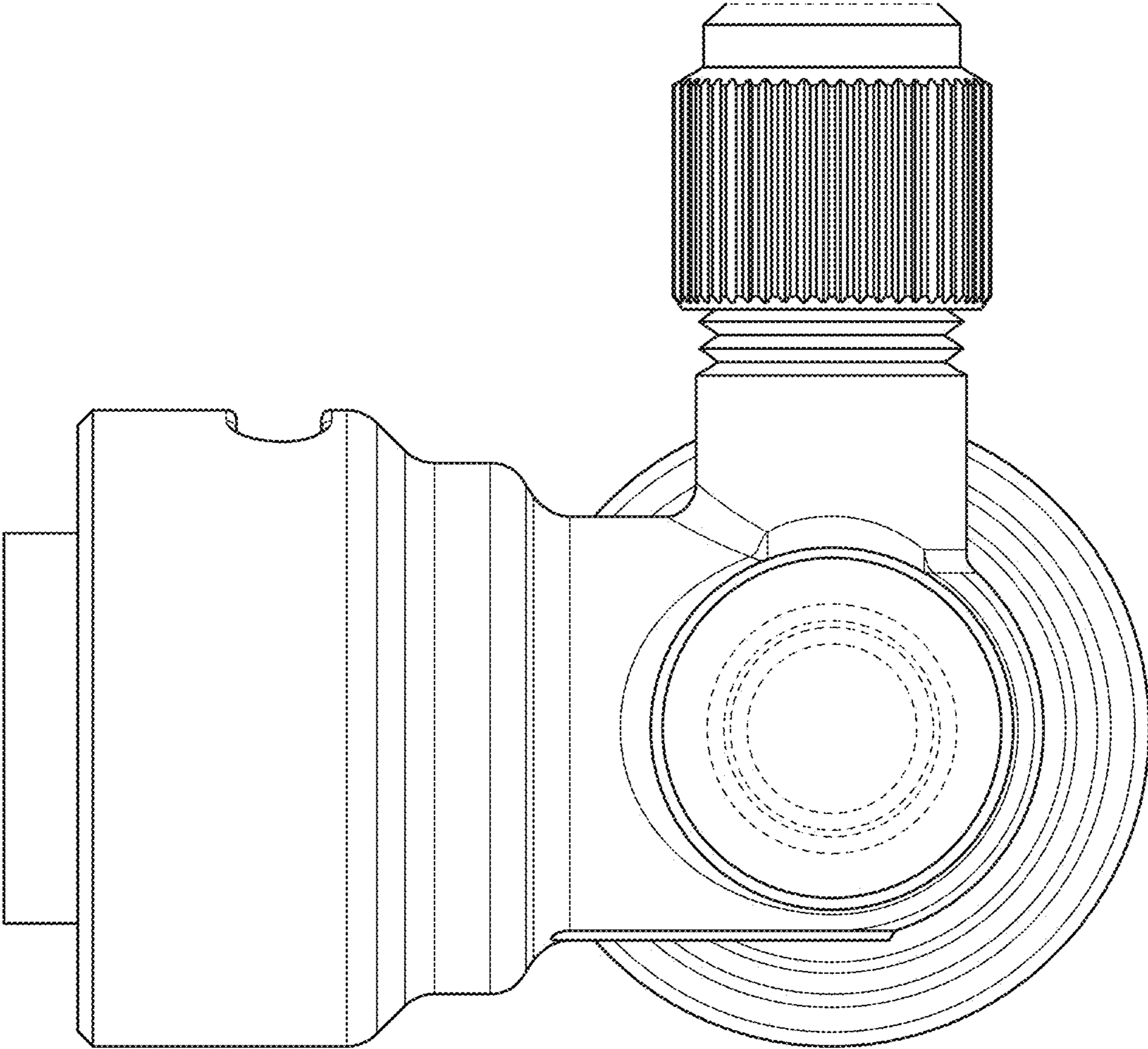


FIG. 3

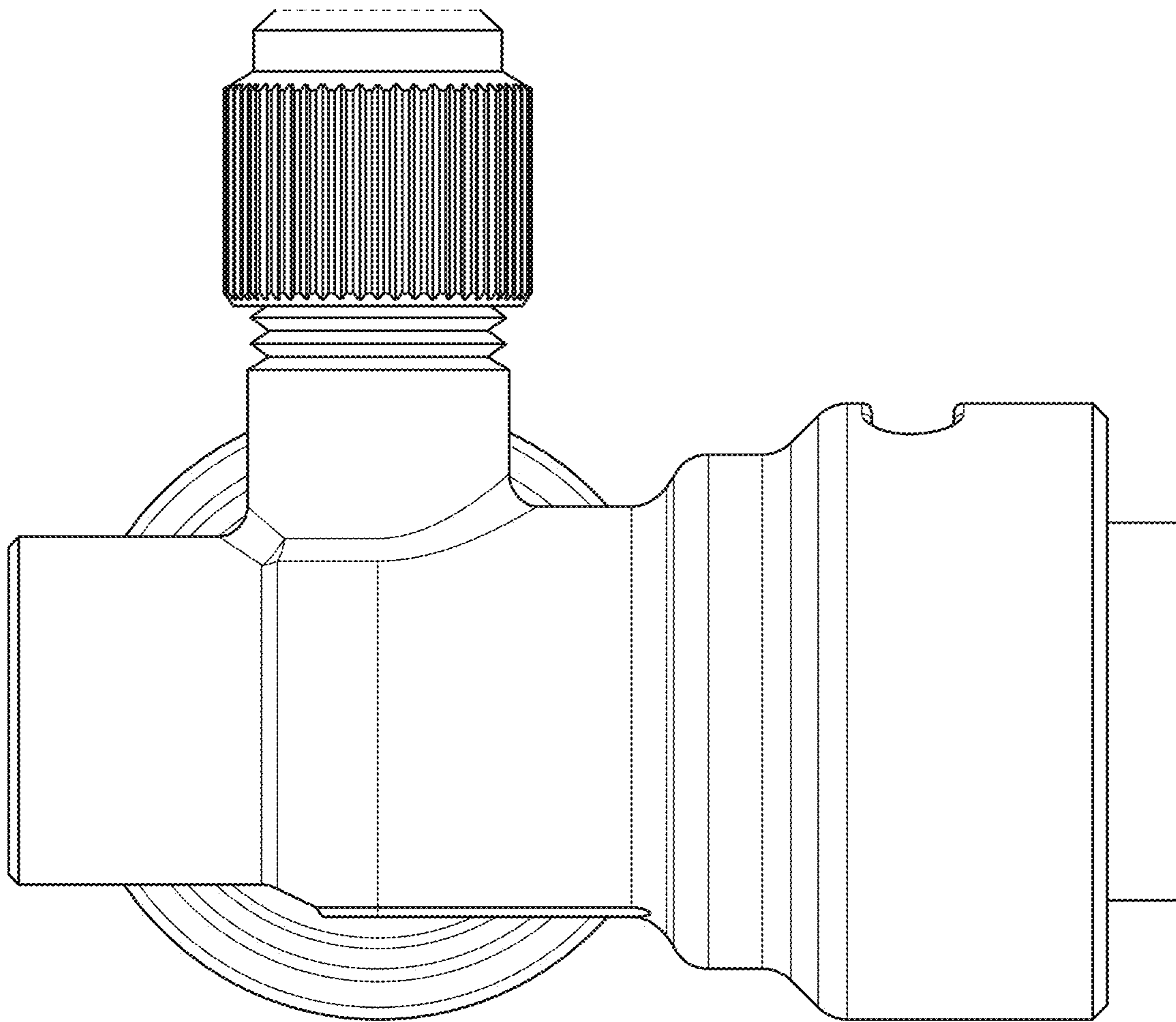


FIG. 4

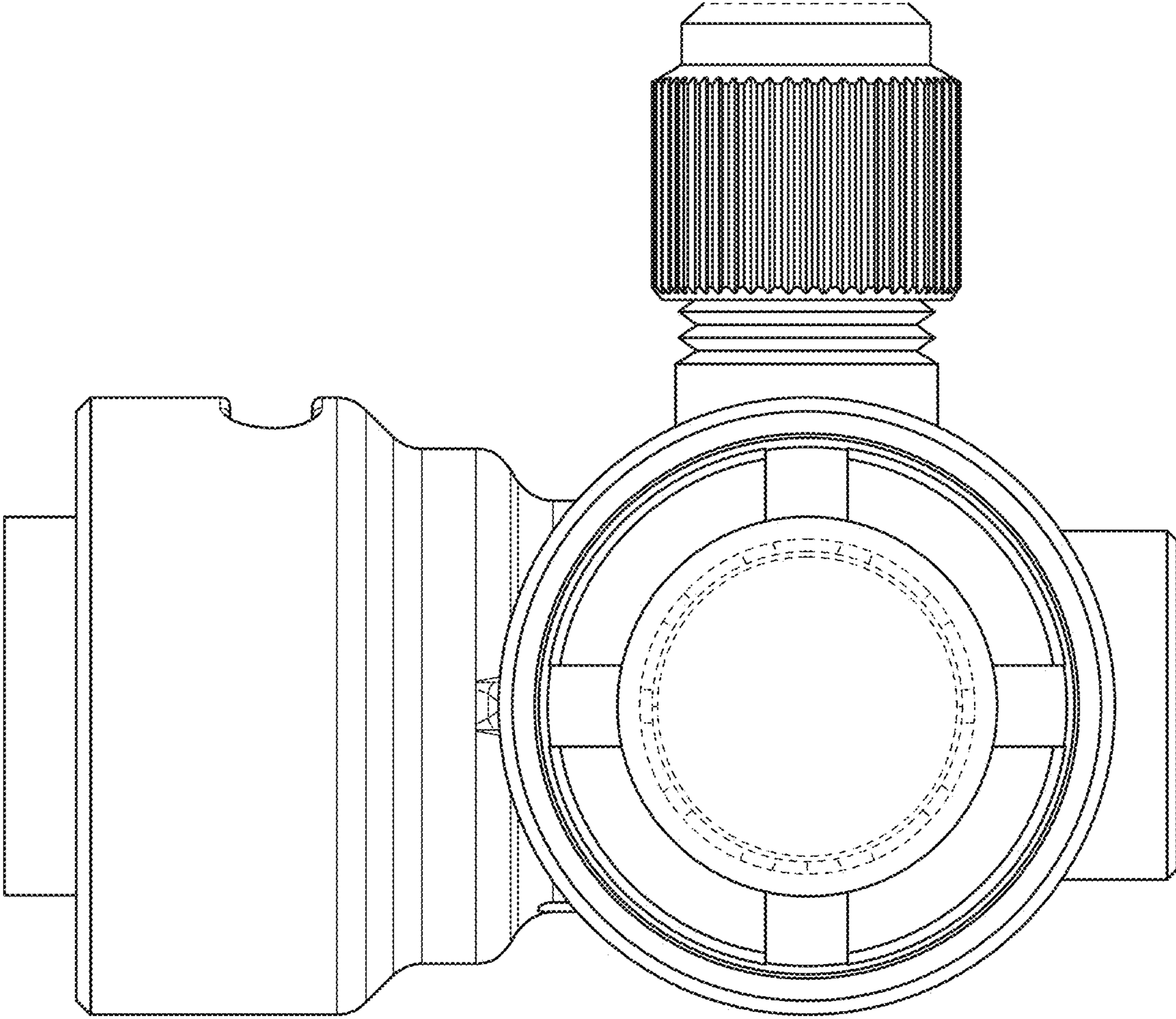


FIG. 5

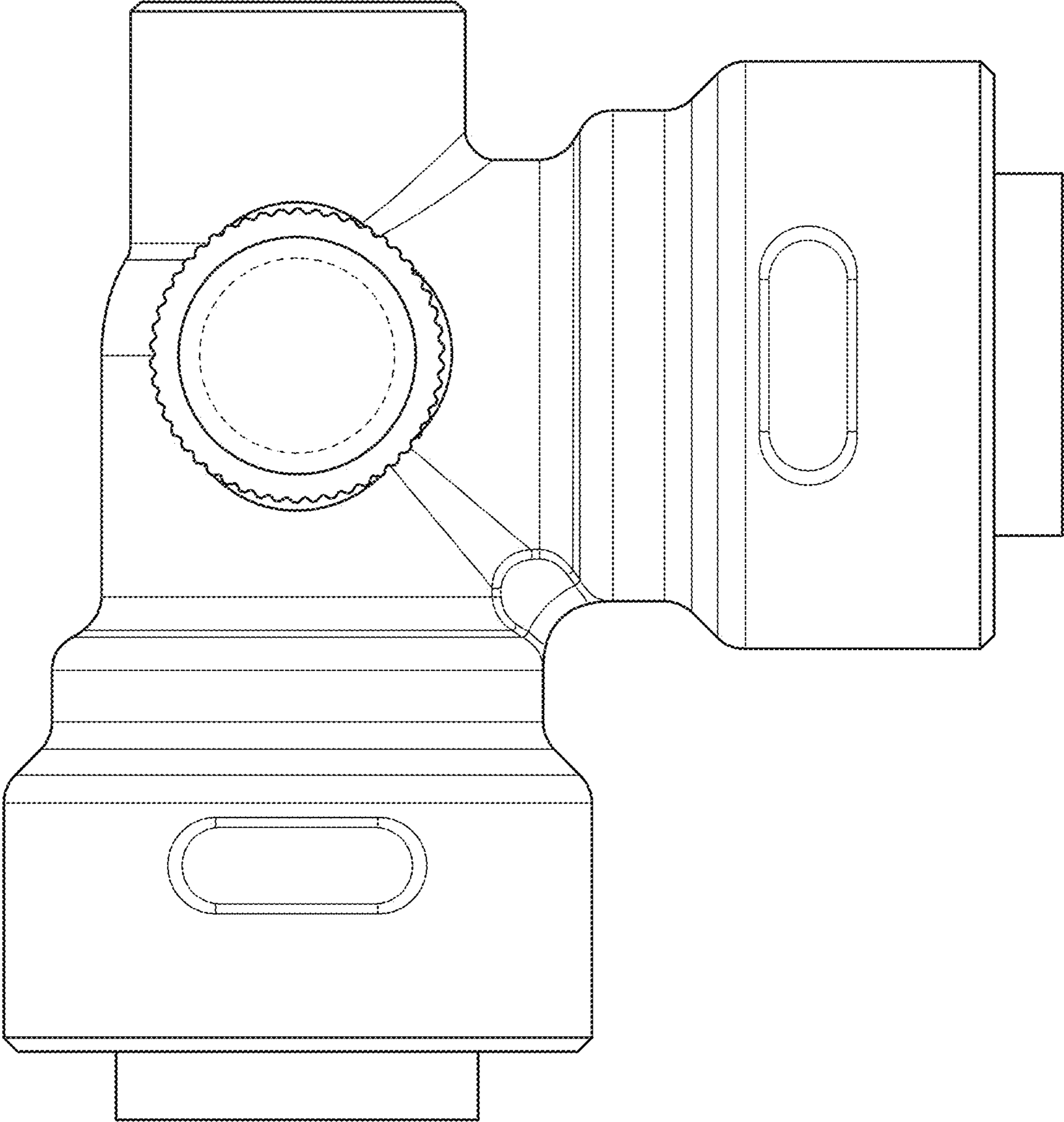


FIG. 6

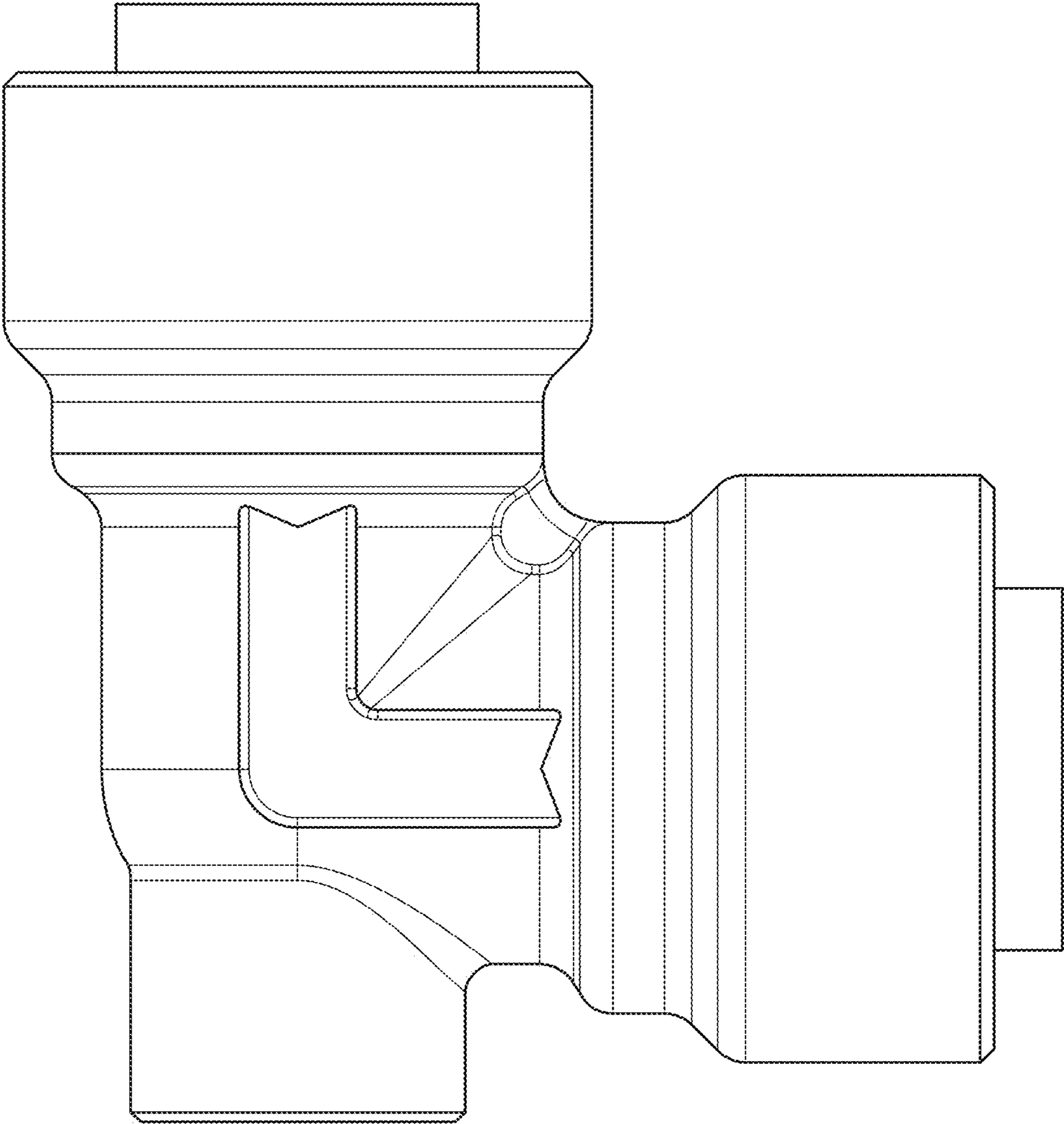


FIG. 7