



US00D914164S

(12) **United States Design Patent**  
**Seum et al.**

(10) **Patent No.:** **US D914,164 S**  
(45) **Date of Patent:** **\*\* Mar. 23, 2021**

(54) **FAUCET**

(71) Applicant: **Grohe AG**, Hemer (DE)

(72) Inventors: **Michael Seum**, Duesseldorf (DE);  
**Christoph Kuppert**, Cologne (DE)

(73) Assignee: **Grohe AG**, Hemer (DE)

(\*\*) Term: **15 Years**

(21) Appl. No.: **29/704,369**

(22) Filed: **Sep. 4, 2019**

(30) **Foreign Application Priority Data**

Mar. 4, 2019 (EM) ..... 006276200-0001

(51) **LOC (13) Cl.** ..... **23-01**

(52) **U.S. Cl.**  
USPC ..... **D23/257**

(58) **Field of Classification Search**  
USPC ..... D23/255, 257, 238, 241-243, 213  
See application file for complete search history.

(56) **References Cited**

**U.S. PATENT DOCUMENTS**

D481,445 S \* 10/2003 Haug ..... D23/238  
D532,866 S \* 11/2006 Kirar ..... D23/238  
D575,848 S \* 8/2008 Kirar ..... D23/238  
D612,459 S \* 3/2010 Allard ..... D23/255

D615,628 S \* 5/2010 Allard ..... D23/255  
D778,406 S \* 2/2017 Egli ..... D23/238  
D802,101 S \* 11/2017 Kirar ..... D23/257  
D811,553 S \* 2/2018 Schoenherr ..... D23/255  
D829,305 S \* 9/2018 Wang ..... D23/255  
D853,524 S \* 7/2019 Song ..... D23/213  
D885,525 S \* 5/2020 Hsu ..... D23/255  
2017/0328044 A1\* 11/2017 Wang ..... E03C 1/0404

\* cited by examiner

*Primary Examiner* — Robert A Delehanty

(74) *Attorney, Agent, or Firm* — Muncy, Geissler, Olds & Lowe, P.C.

(57) **CLAIM**

The ornamental design for a faucet, as shown and described.

**DESCRIPTION**

FIG. 1 is a front perspective view of a faucet according to the present invention.

FIG. 2 is a front view of the faucet of FIG. 1.

FIG. 3 is a rear view of the faucet of FIG. 1.

FIG. 4 is a left side view of the faucet of FIG. 1.

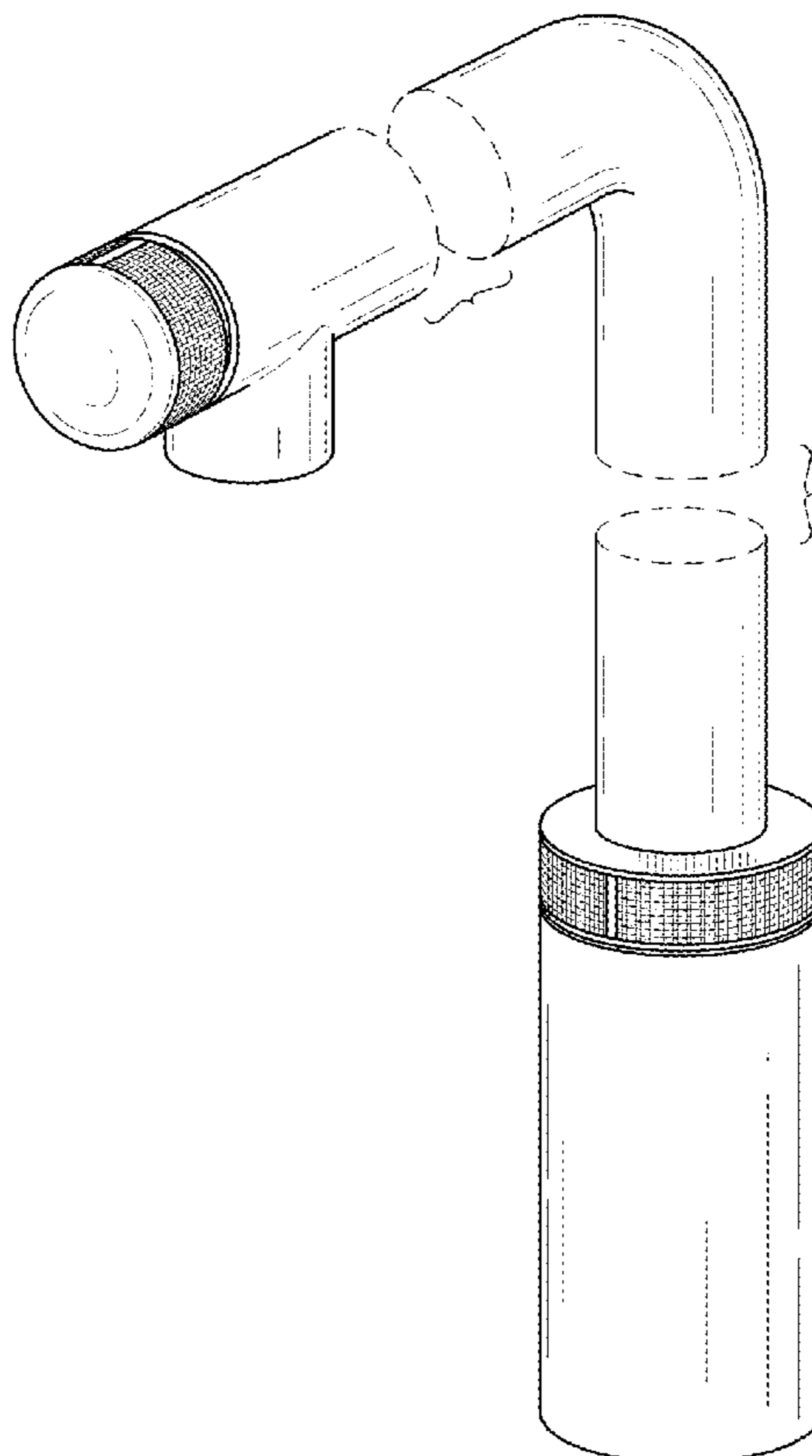
FIG. 5 is a right side view of the faucet of FIG. 1.

FIG. 6 is a top view of the faucet of FIG. 1; and,

FIG. 7 is a bottom view of the faucet of FIG. 1.

The dashed lines illustrate environment that does not form a part of the present invention, and no claim is made to the material illustrated with dashed lines. The appearance of any portion of the article between the broken away symbols forms no part of the claimed design.

**1 Claim, 7 Drawing Sheets**



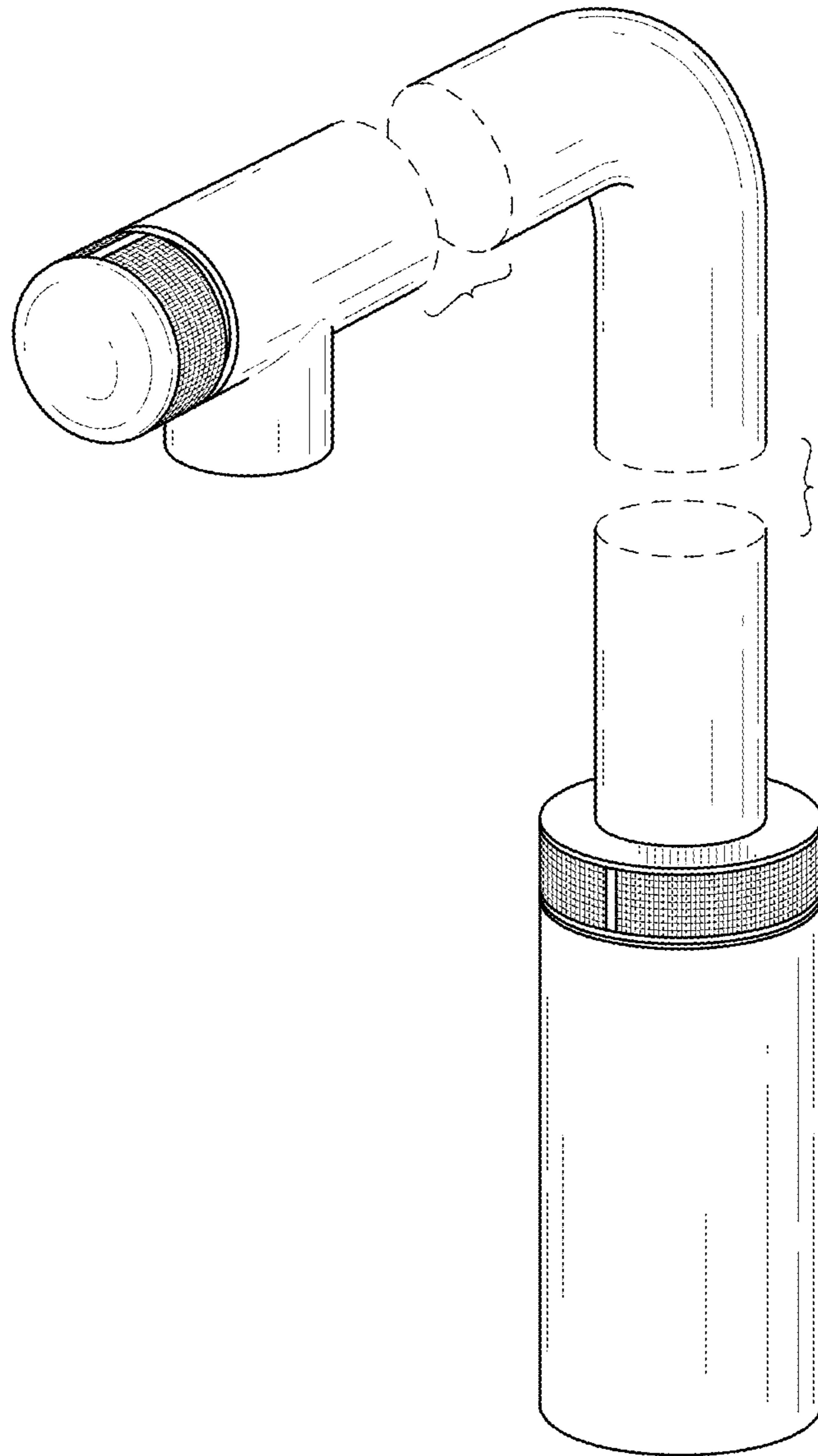


FIG.1

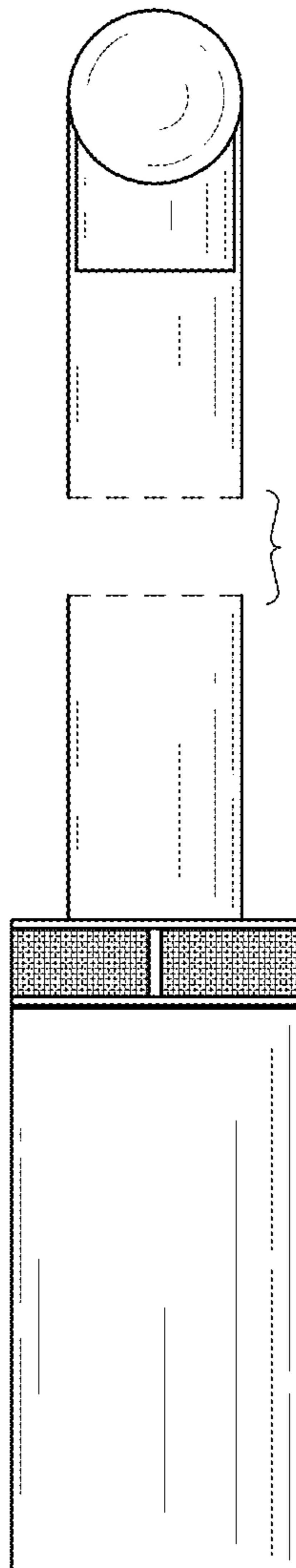


FIG.2

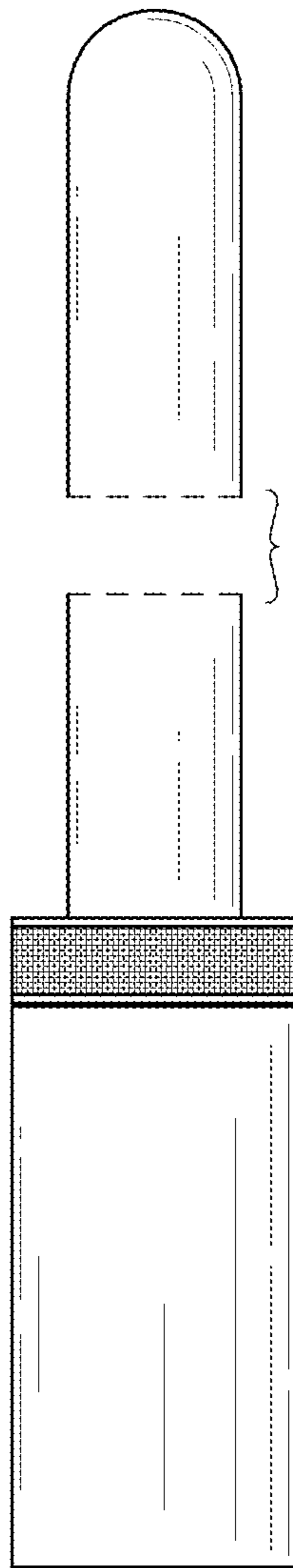


FIG.3

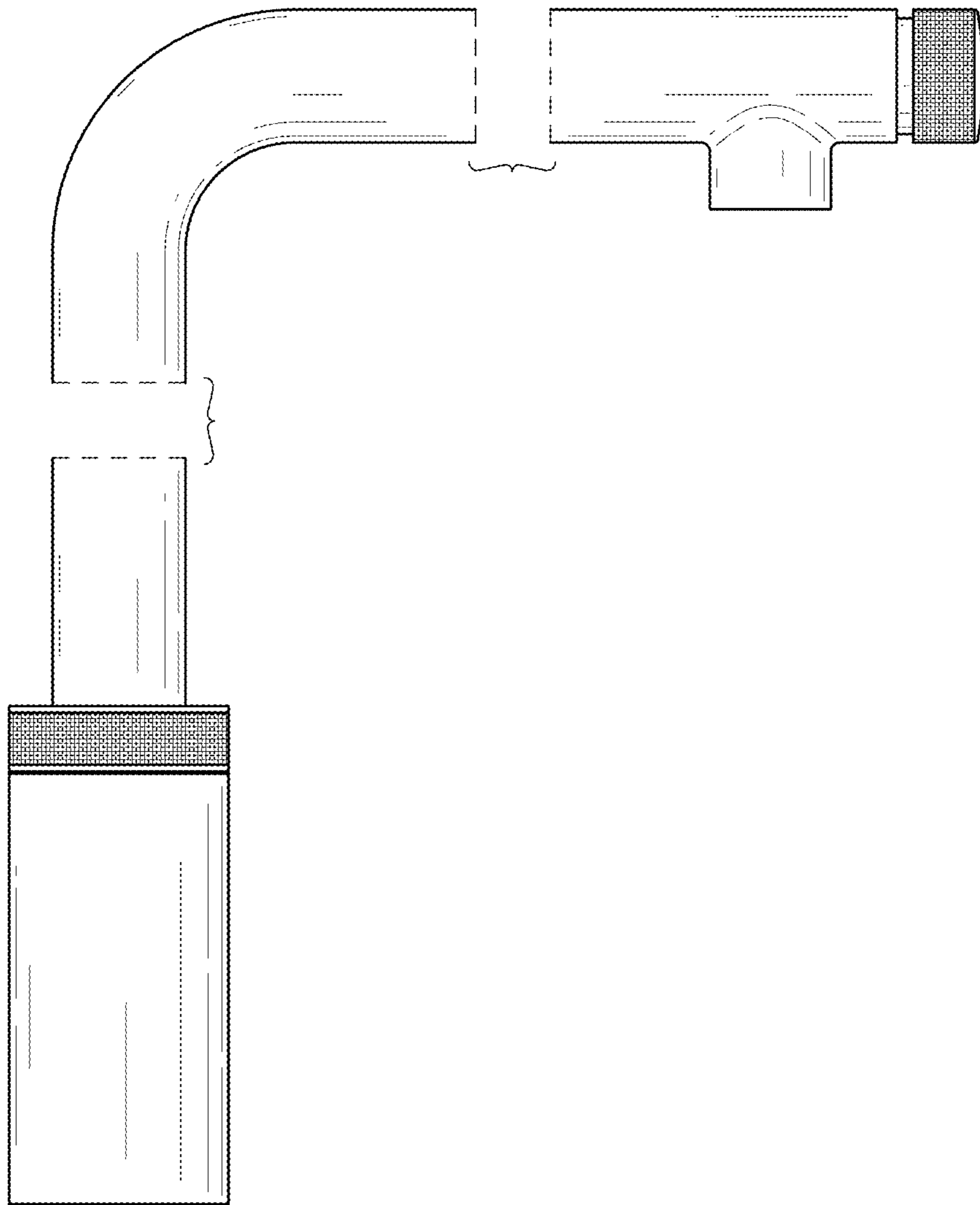


FIG.4

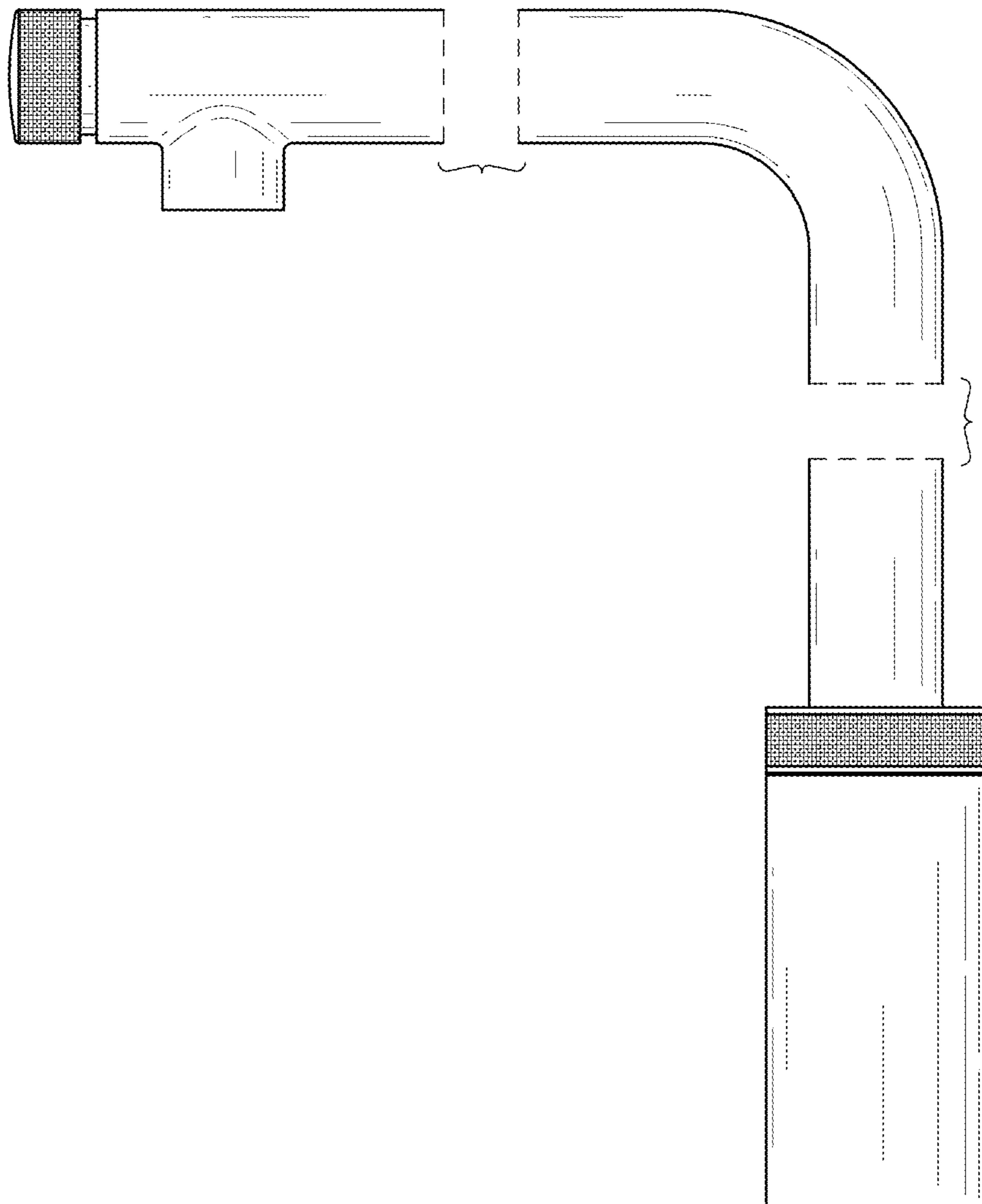


FIG.5

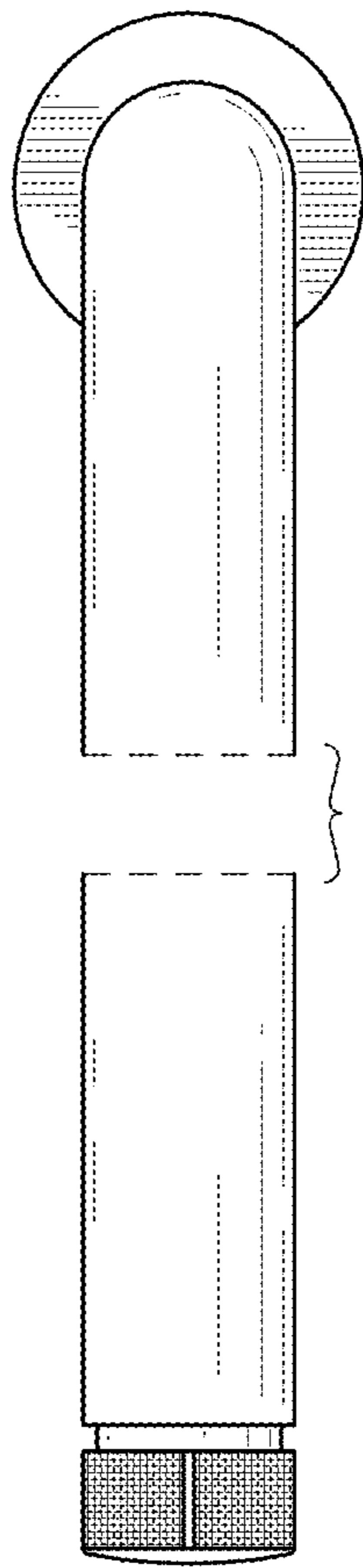


FIG.6

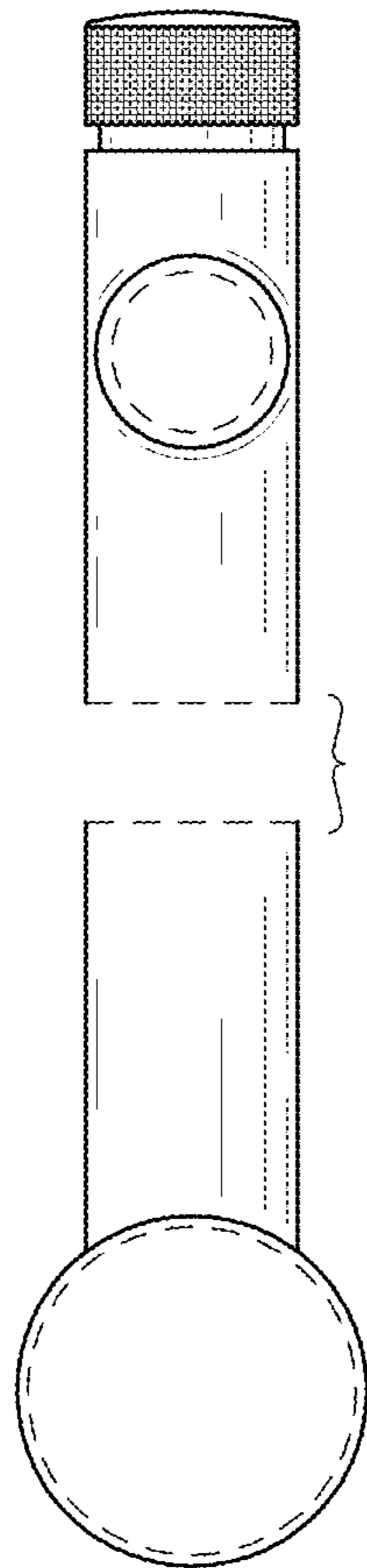


FIG.7