



US00D914161S

(12) **United States Design Patent**
Seum et al.

(10) **Patent No.:** **US D914,161 S**

(45) **Date of Patent:** **** Mar. 23, 2021**

(54) **FAUCET**

(71) Applicant: **Grohe AG**, Hemer (DE)

(72) Inventors: **Michael Seum**, Duesseldorf (DE);
Christoph Kuppert, Cologne (DE)

(73) Assignee: **Grohe AG**, Hemer (DE)

(**) Term: **15 Years**

(21) Appl. No.: **29/700,518**

(22) Filed: **Aug. 2, 2019**

(30) **Foreign Application Priority Data**

Feb. 5, 2019 (EM) 006164083

(51) **LOC (13) Cl.** **23-01**

(52) **U.S. Cl.**
USPC **D23/255**

(58) **Field of Classification Search**
USPC D23/255, 257, 238, 241-243
See application file for complete search history.

(56) **References Cited**

U.S. PATENT DOCUMENTS

D585,965 S * 2/2009 Kohler, Jr. D23/255
D841,130 S * 2/2019 Eads D23/255

D859,588 S * 9/2019 Meyers D23/238
D870,861 S * 12/2019 Tentler D23/255
D870,862 S * 12/2019 Eads D23/255
D903,057 S * 11/2020 Seum D23/255

* cited by examiner

Primary Examiner — Robert A Delehanty

(74) *Attorney, Agent, or Firm* — Muncy, Geissler, Olds & Lowe, P.C.

(57) **CLAIM**

The ornamental design for a faucet, as shown and described.

DESCRIPTION

FIG. 1 is a front perspective view of a faucet according to the present invention.

FIG. 2 is a front view of the faucet of FIG. 1.

FIG. 3 is a rear view of the faucet of FIG. 1.

FIG. 4 is a left side view of the faucet of FIG. 1.

FIG. 5 is a right side view of the faucet of FIG. 1.

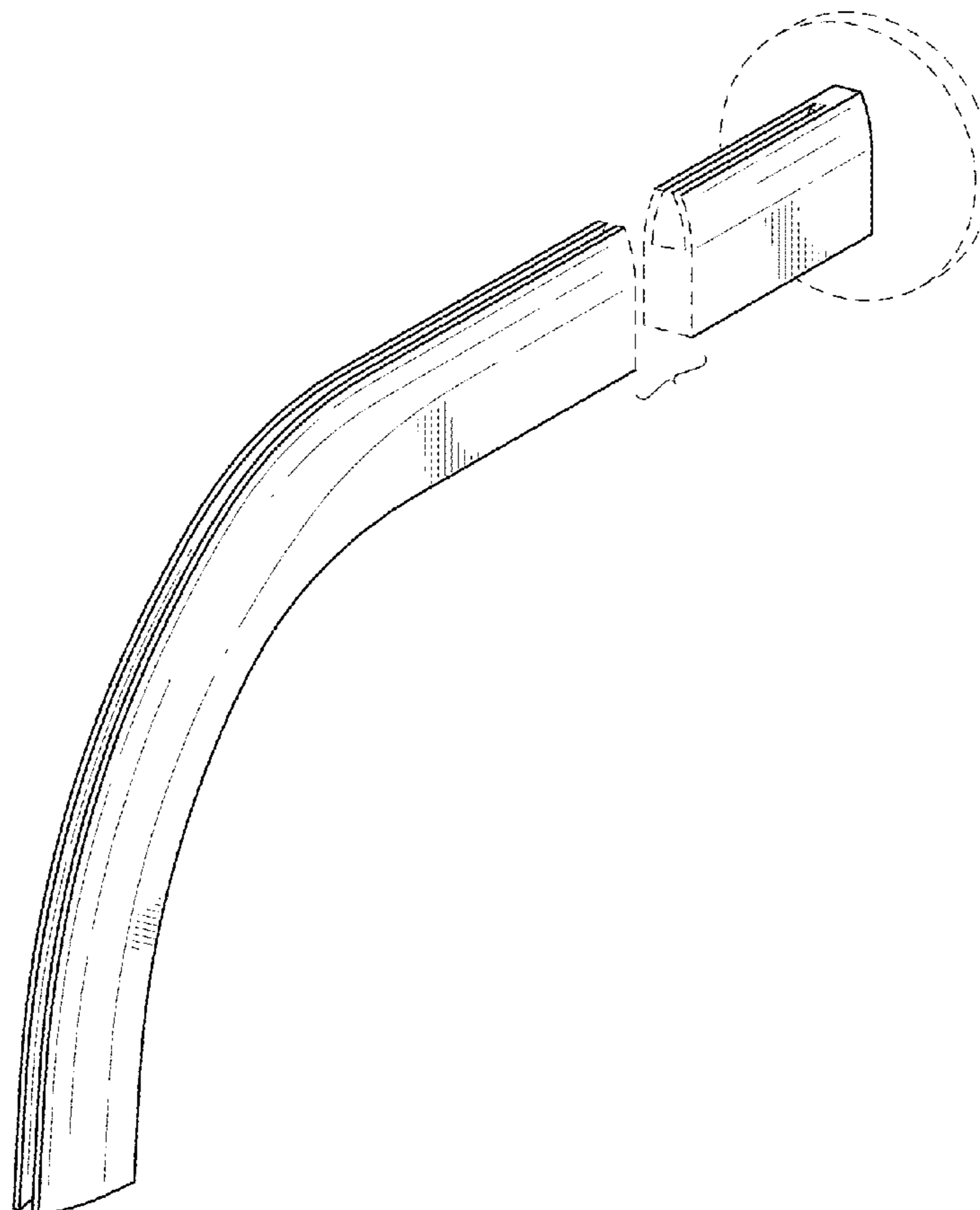
FIG. 6 is a top view of the faucet of FIG. 1; and,

FIG. 7 is a bottom view of the faucet of FIG. 1.

The dashed lines illustrate environment that does not form a part of the present invention, and no claim is made to the material illustrated with dashed lines.

The appearance of any portion of the article between the broken away symbols forms no part of the claimed design.

1 Claim, 7 Drawing Sheets



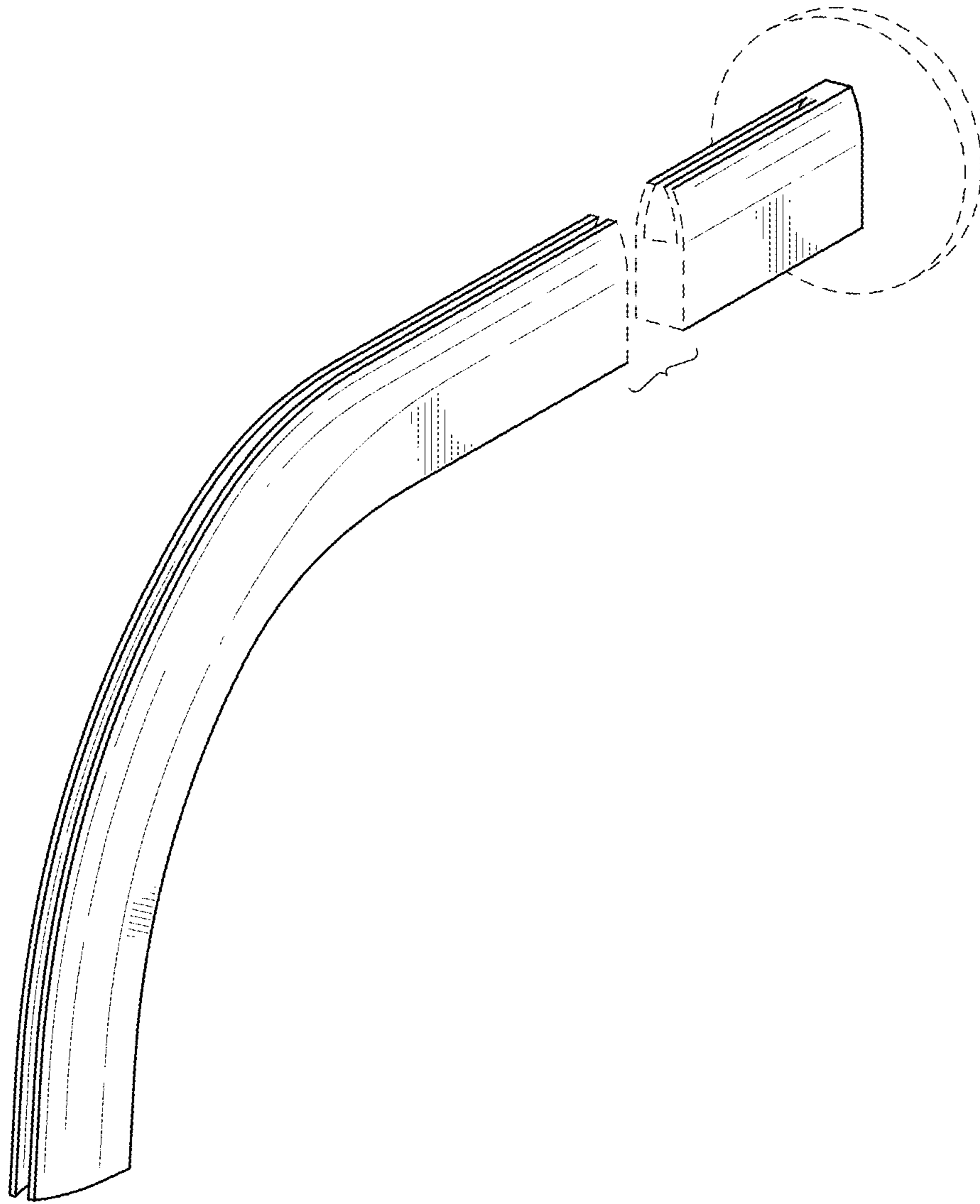


FIG.1

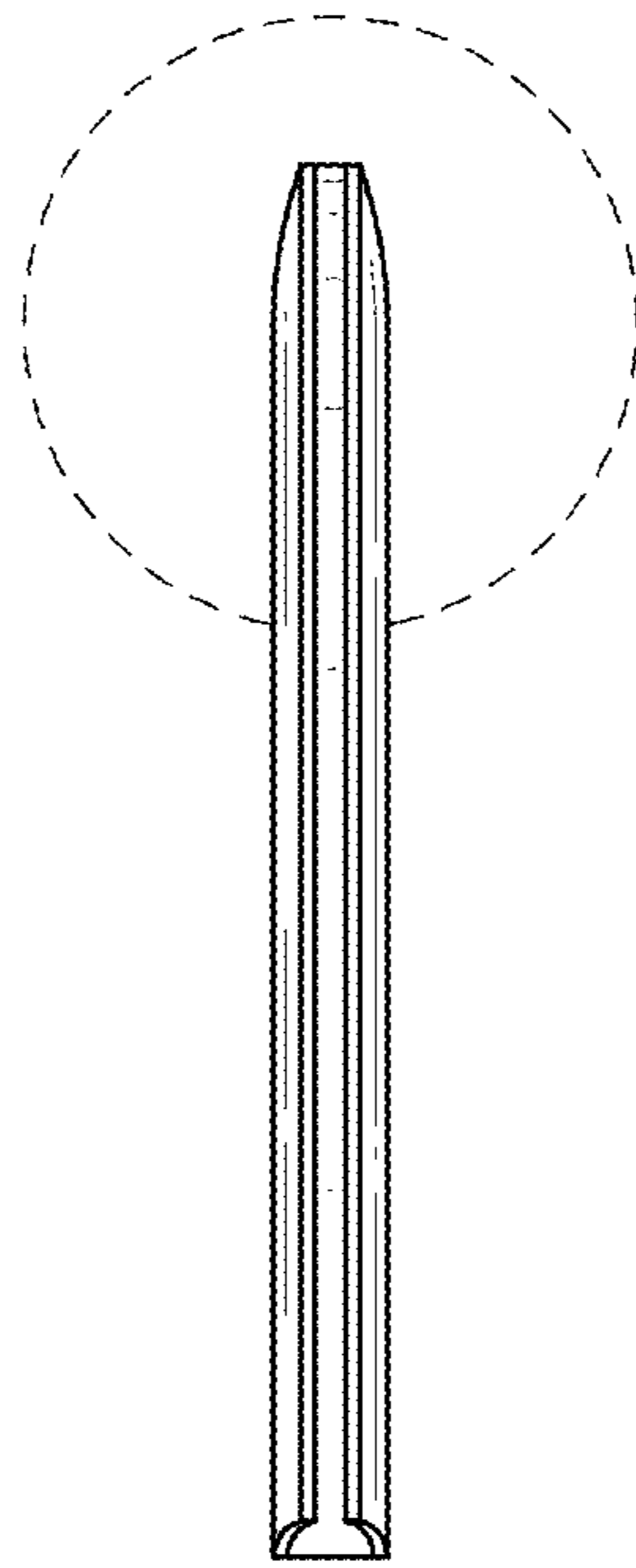


FIG.2

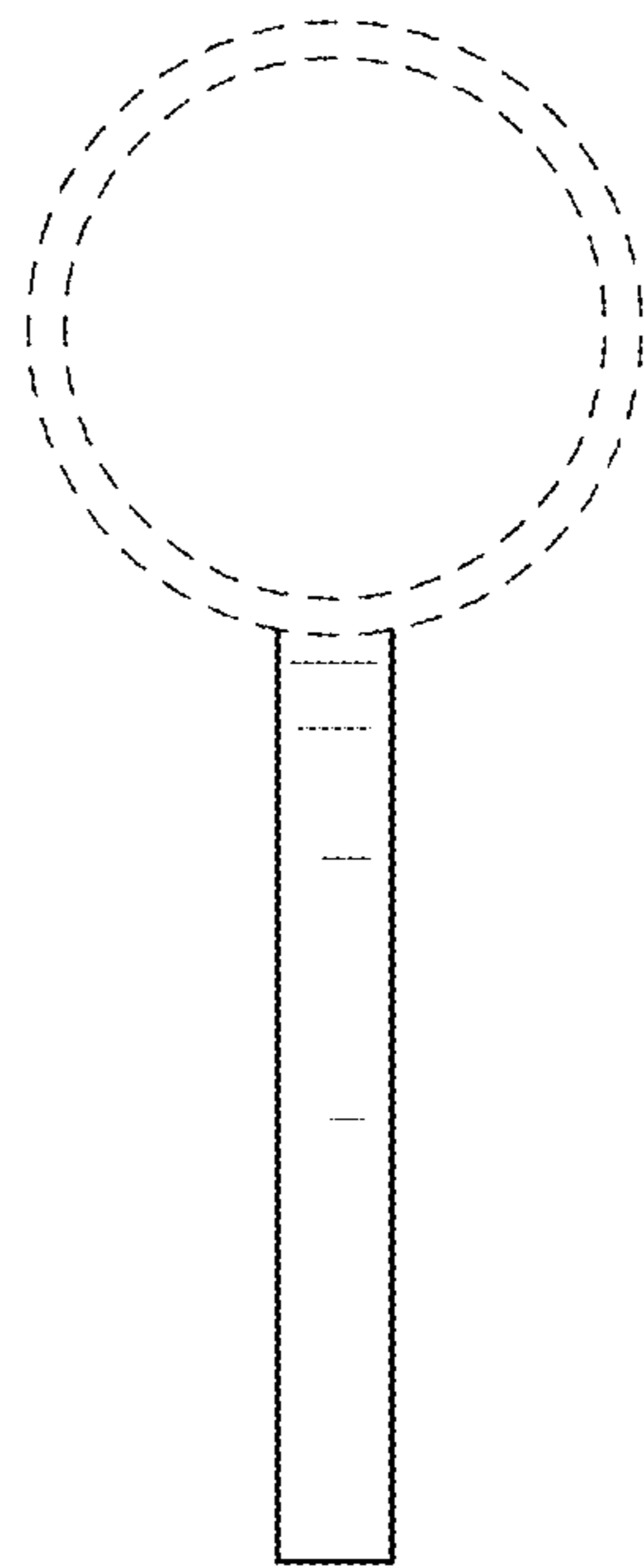


FIG.3

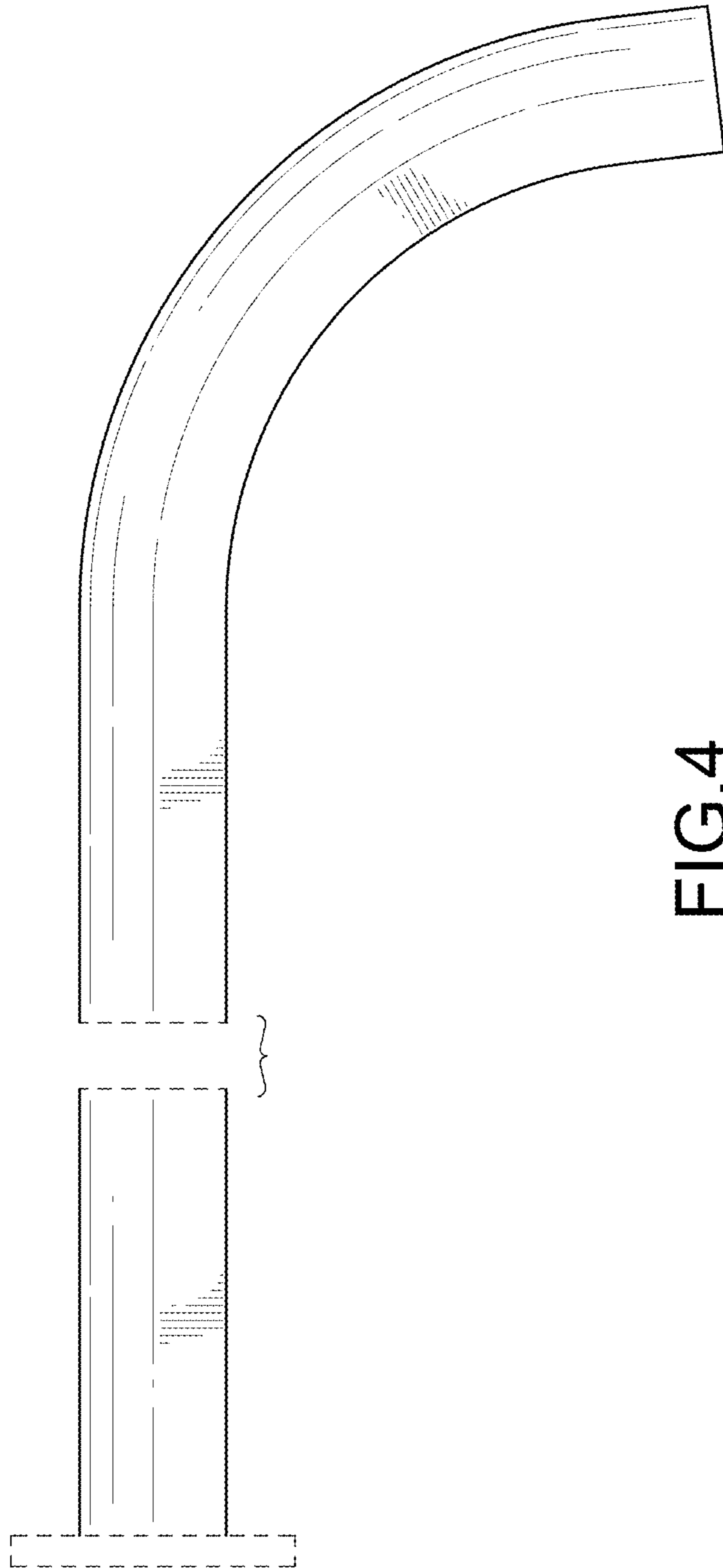


FIG.4

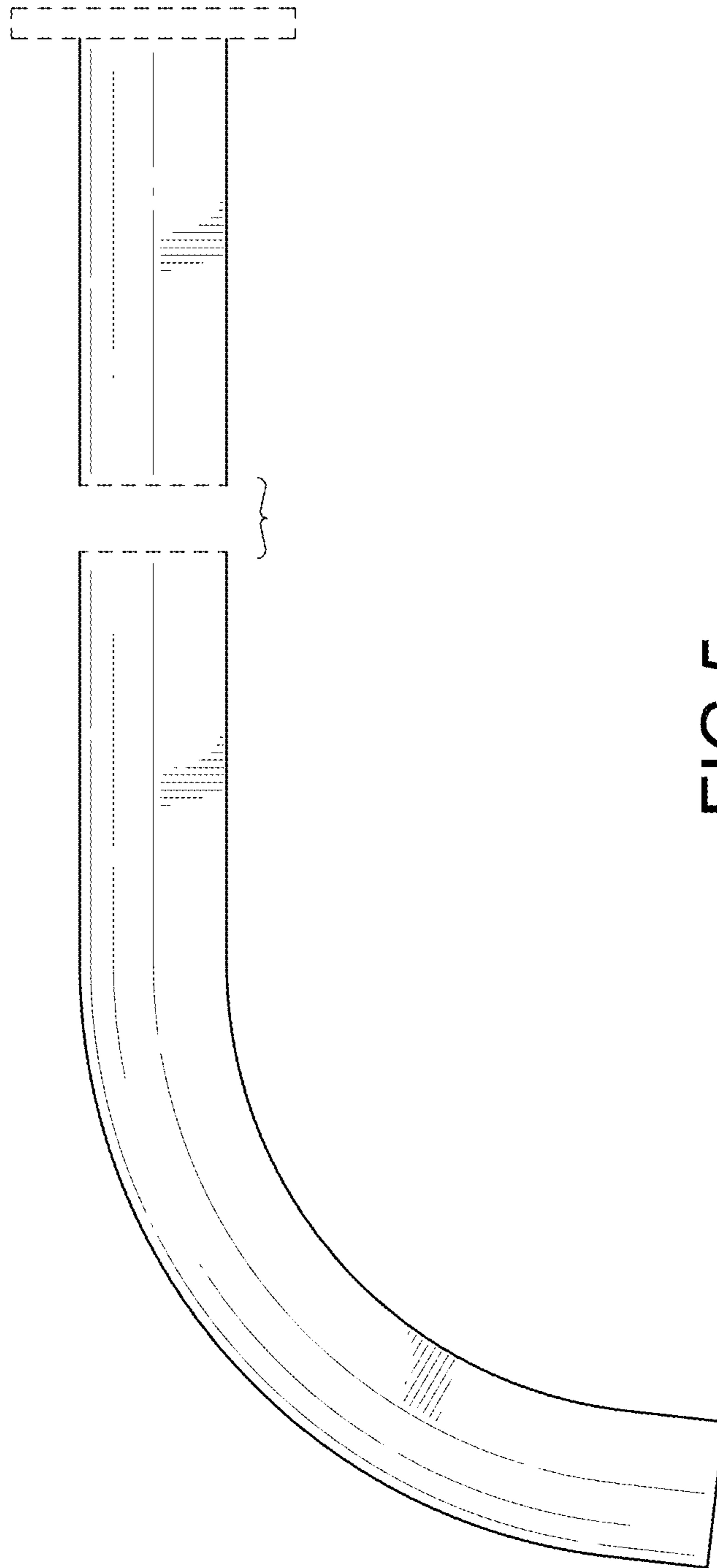


FIG.5

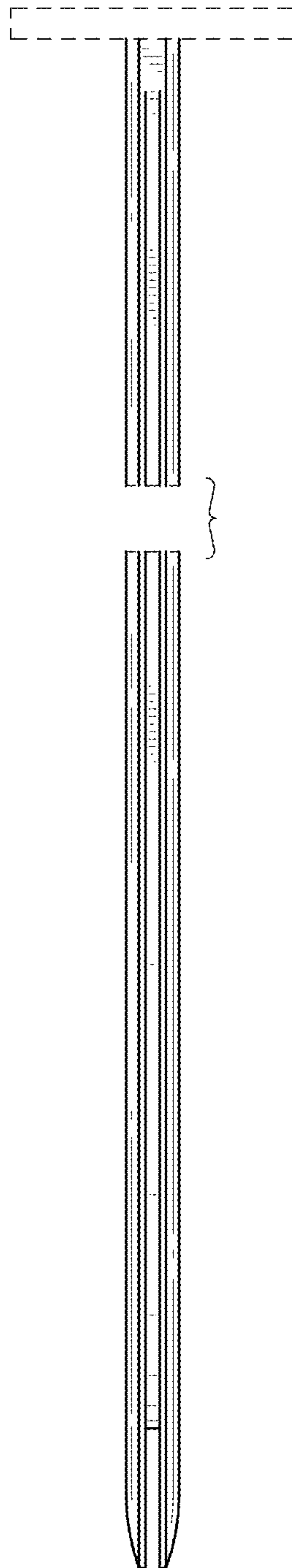


FIG.6

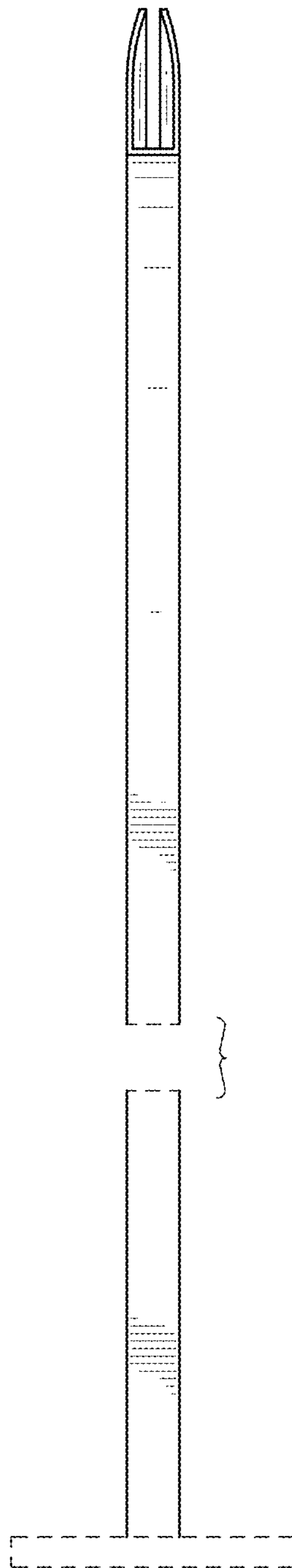


FIG.7