



US00D914160S

(12) **United States Design Patent** (10) **Patent No.:** **US D914,160 S**
Seum et al. (45) **Date of Patent:** **** Mar. 23, 2021**

(54) **FAUCET SPOUT**

D754,295 S * 4/2016 Lord D23/238
D820,415 S * 6/2018 McKeone D23/255

(71) Applicant: **Grohe AG**, Hemer (DE)

* cited by examiner

(72) Inventors: **Michael Seum**, Duesseldorf (DE);
Jacob Nitz, Brooklyn, NY (US)

Primary Examiner — Robert A Delehanty

(73) Assignee: **Grohe AG**, Hemer (DE)

(74) *Attorney, Agent, or Firm* — Muncy, Geissler, Olds & Lowe, P.C.

(**) Term: **15 Years**

(57) **CLAIM**

(21) Appl. No.: **29/693,741**

The ornamental design for a faucet spout, as shown and described.

(22) Filed: **Jun. 5, 2019**

DESCRIPTION

(30) **Foreign Application Priority Data**

Dec. 5, 2018 (EM) 005844156

(51) **LOC (13) Cl.** **23-01**

(52) **U.S. Cl.**
USPC **D23/255**

(58) **Field of Classification Search**
USPC D23/255, 257, 238, 241–243
See application file for complete search history.

FIG. 1 is a front perspective view of a faucet spout according to the present invention.

FIG. 2 is a front view of the faucet spout of FIG. 1.

FIG. 3 is a rear view of the faucet spout of FIG. 1.

FIG. 4 is a left side view of the faucet spout of FIG. 1.

FIG. 5 is a right side view of the faucet spout of FIG. 1.

FIG. 6 is a top view of the faucet spout of FIG. 1; and,

FIG. 7 is a bottom view of the faucet spout of FIG. 1.

The dashed lines illustrate environment that does not form a part of the present invention, and no claim is made to the material illustrated with dashed lines.

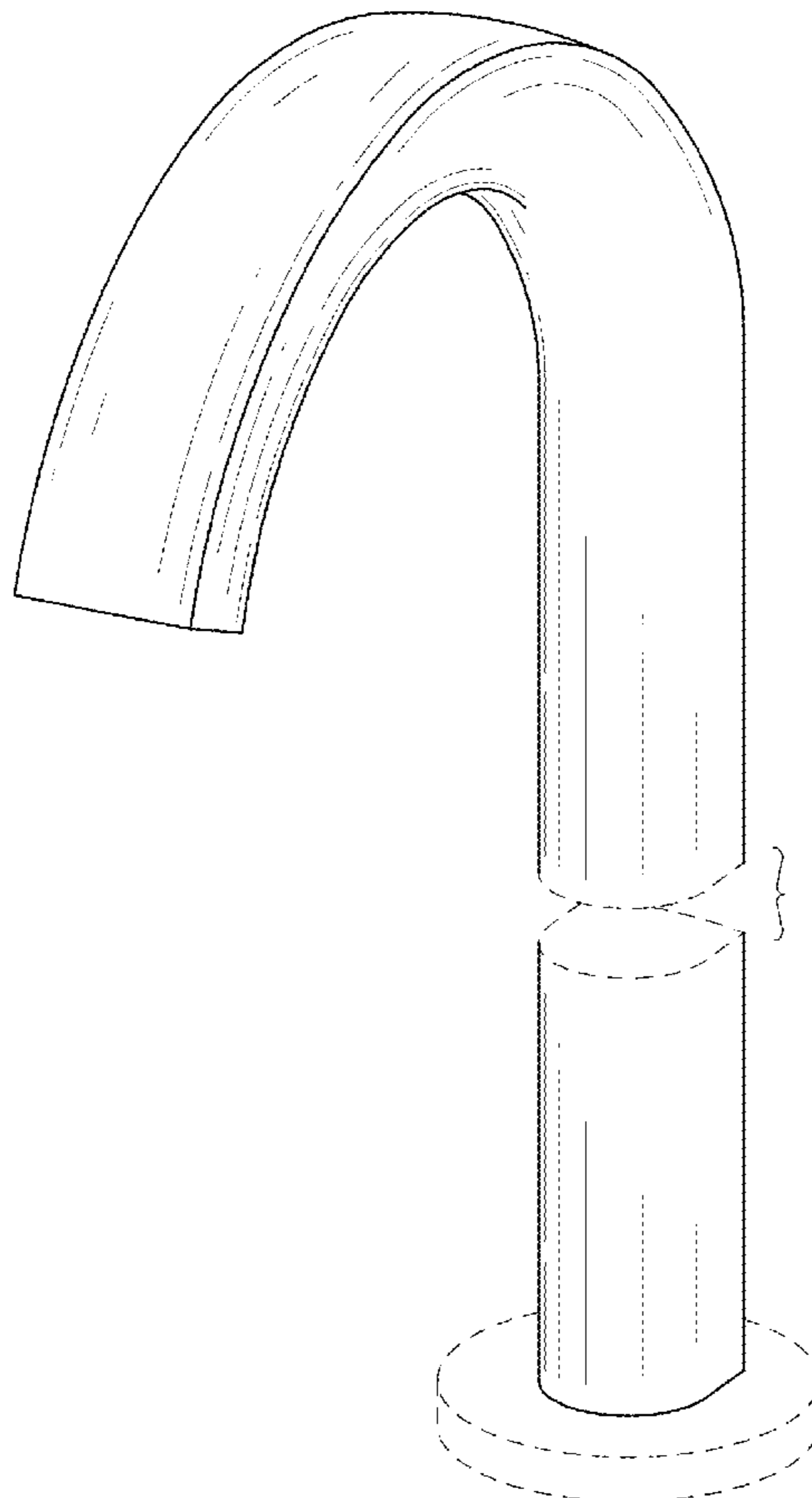
The appearance of any portion of the article between the broken away symbols forms no part of the claimed design.

(56) **References Cited**

U.S. PATENT DOCUMENTS

D524,416 S * 7/2006 Haug D23/238
D713,016 S * 9/2014 Citterio D23/255

1 Claim, 7 Drawing Sheets



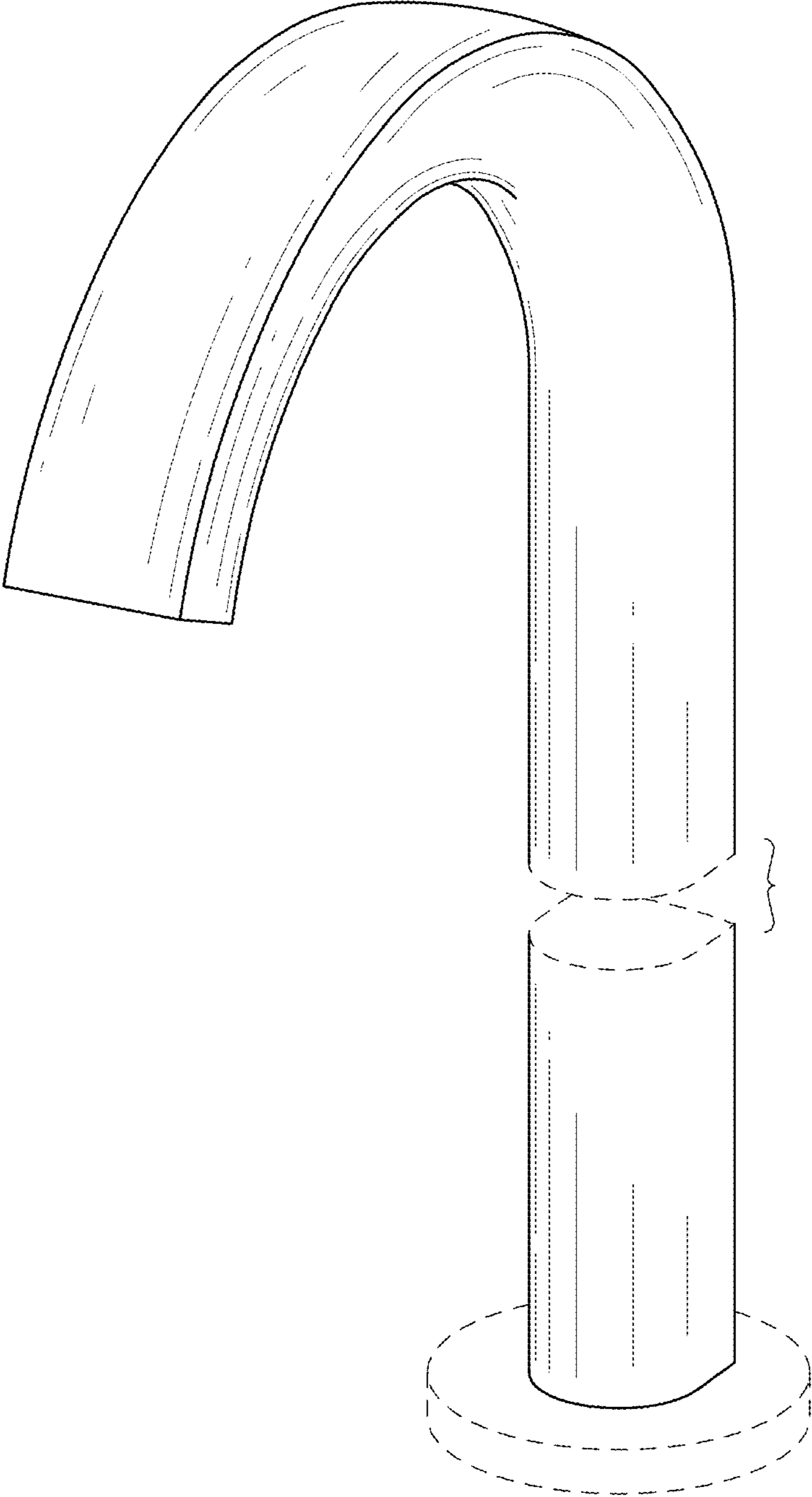


FIG.1

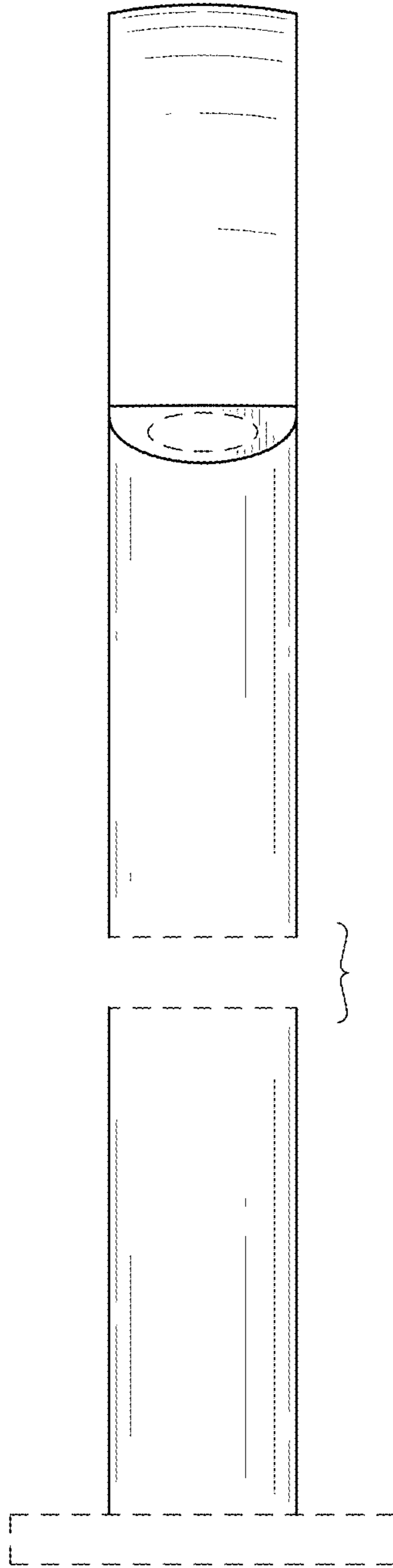


FIG.2

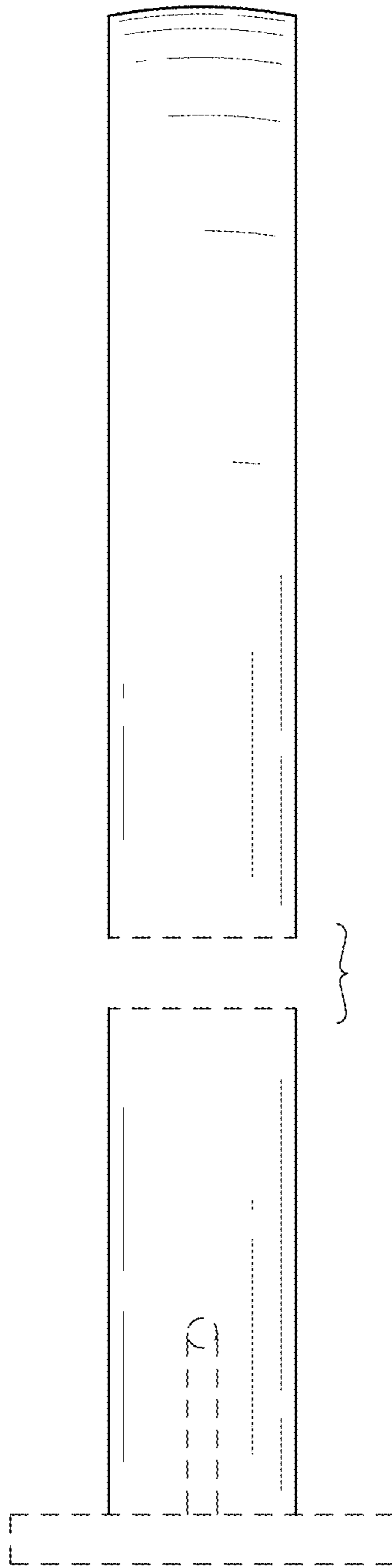


FIG.3

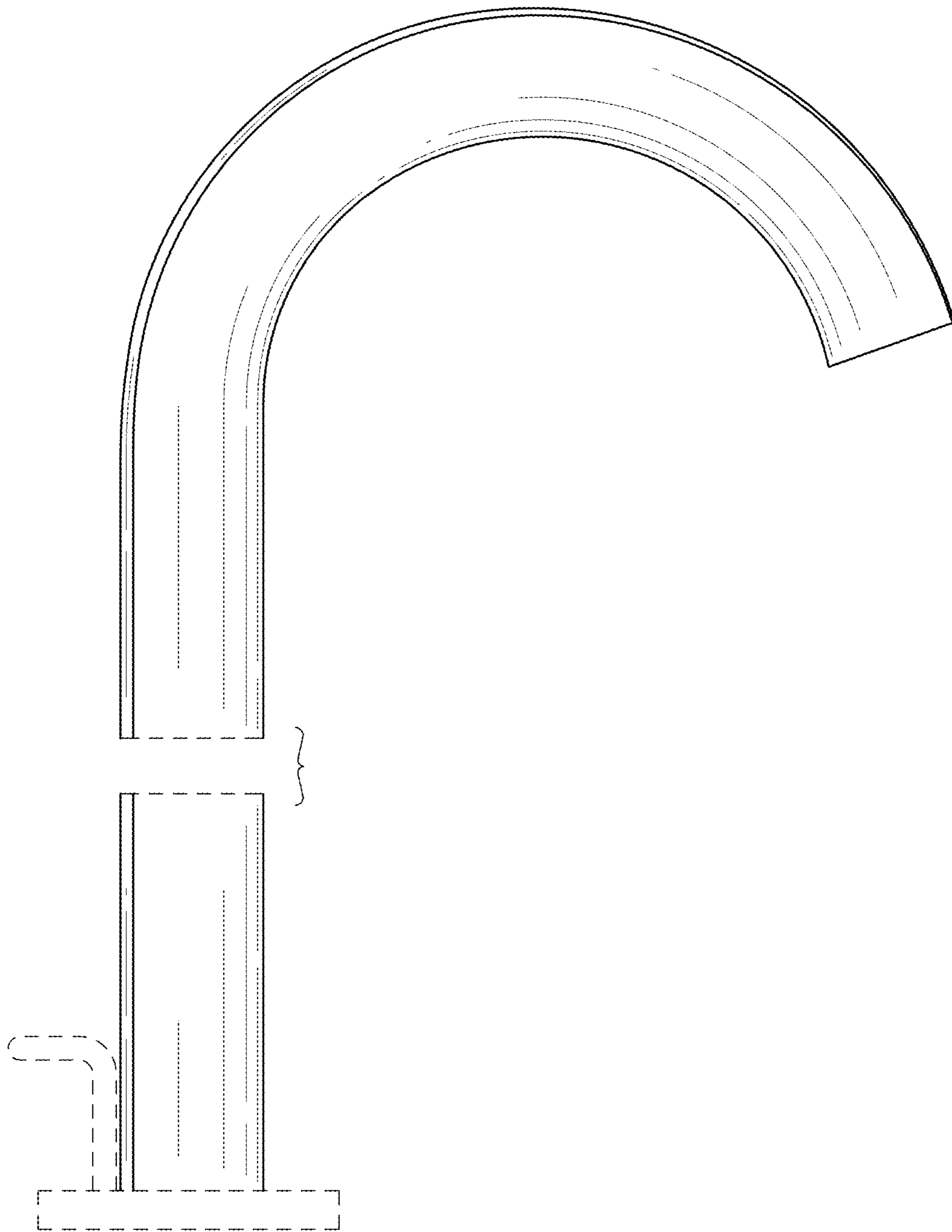


FIG.4

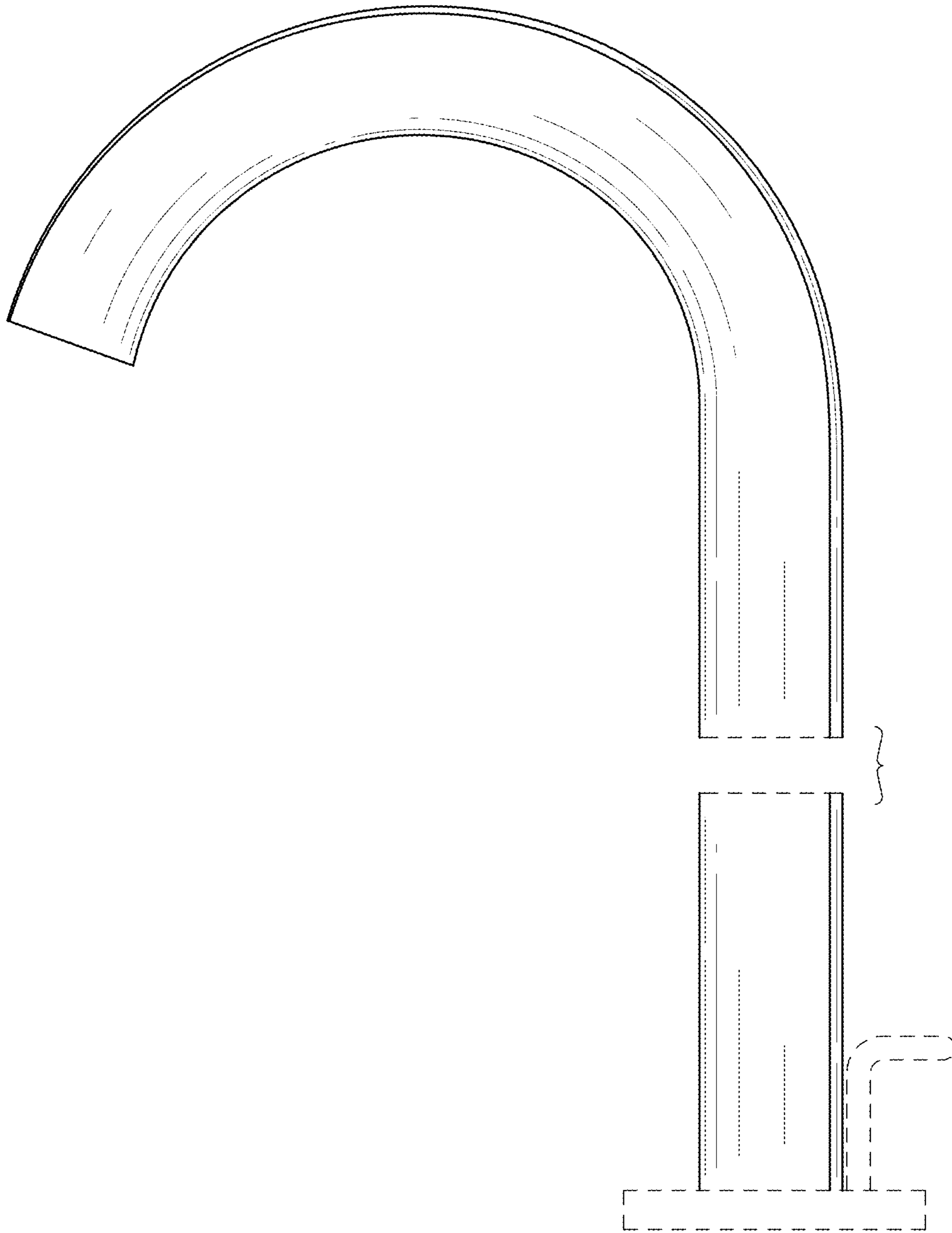


FIG.5

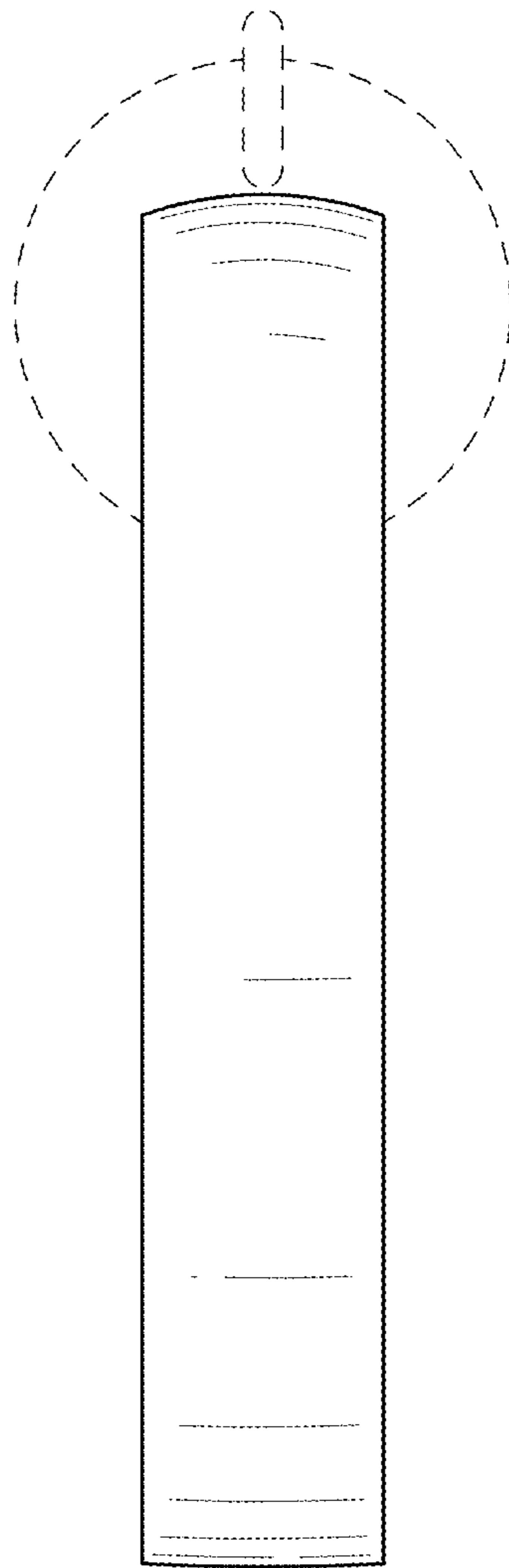


FIG.6

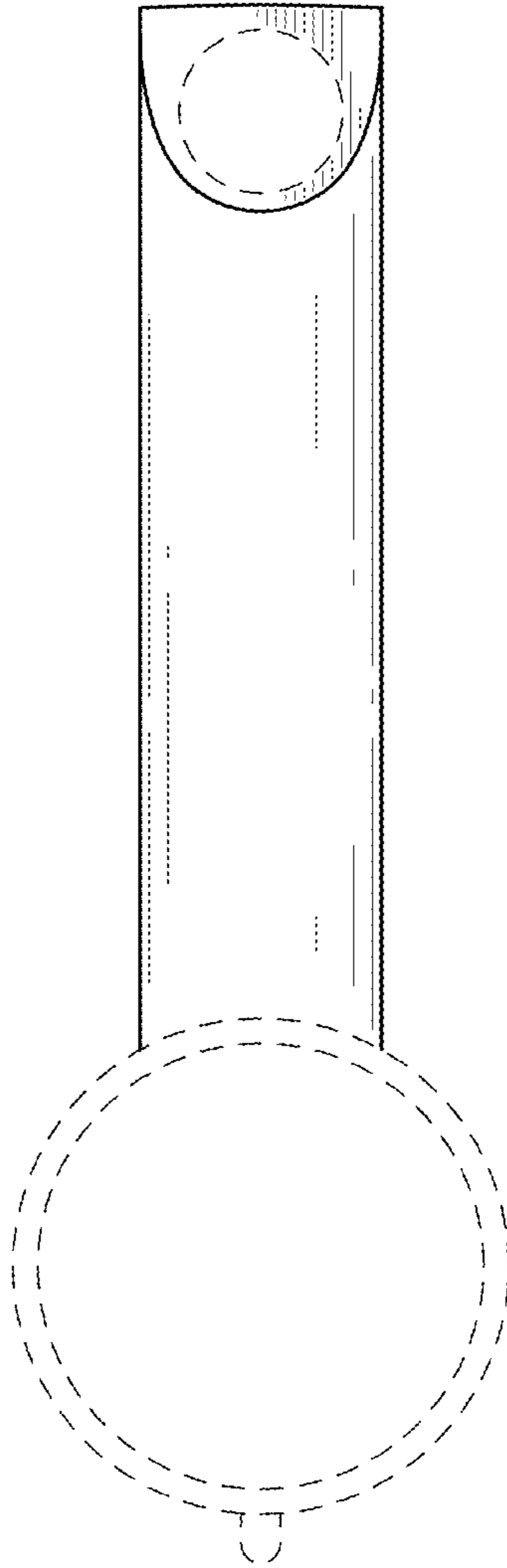


FIG.7