



US00D914159S

(12) **United States Design Patent**
Takahashi et al.

(10) **Patent No.:** **US D914,159 S**

(45) **Date of Patent:** **** Mar. 23, 2021**

(54) **FAUCET HANDLE**

(71) Applicant: **TOTO, Ltd.**, Kitakyushu (JP)

(72) Inventors: **Yasushi Takahashi**, Kitakyushu (JP);
Shogo Takayama, Kitakyushu (JP);
Takanori Shimazoe, Kitakyushu (JP);
Kanako Fukuoka, Kitakyushu (JP);
Tomohiro Miyazaki, Kitakyushu (JP);
Mark Sydavong, Singapore (SG)

(73) Assignee: **TOTO Ltd.**, Kitakyushu (JP)

(**) Term: **15 Years**

(21) Appl. No.: **29/685,632**

(22) Filed: **Mar. 29, 2019**

(30) **Foreign Application Priority Data**

Dec. 27, 2018 (JP) 2018-028770

(51) **LOC (13) Cl.** **23-01**

(52) **U.S. Cl.**
USPC **D23/250**

(58) **Field of Classification Search**
USPC D23/250–254, 238–243; D8/307–308
See application file for complete search history.

(56) **References Cited**

U.S. PATENT DOCUMENTS

D609,311 S * 2/2010 Schoenherr D23/250
D640,350 S * 6/2011 Schoenherr D23/252

D708,709 S * 7/2014 Yu D23/238
D718,839 S * 12/2014 Garland D23/252
D723,663 S * 3/2015 Downey D23/238
D859,585 S * 9/2019 Seum D23/238
D900,970 S * 11/2020 Takahashi D23/238

* cited by examiner

Primary Examiner — Robert A Delehanty

(74) *Attorney, Agent, or Firm* — Banner & Witcoff, Ltd.

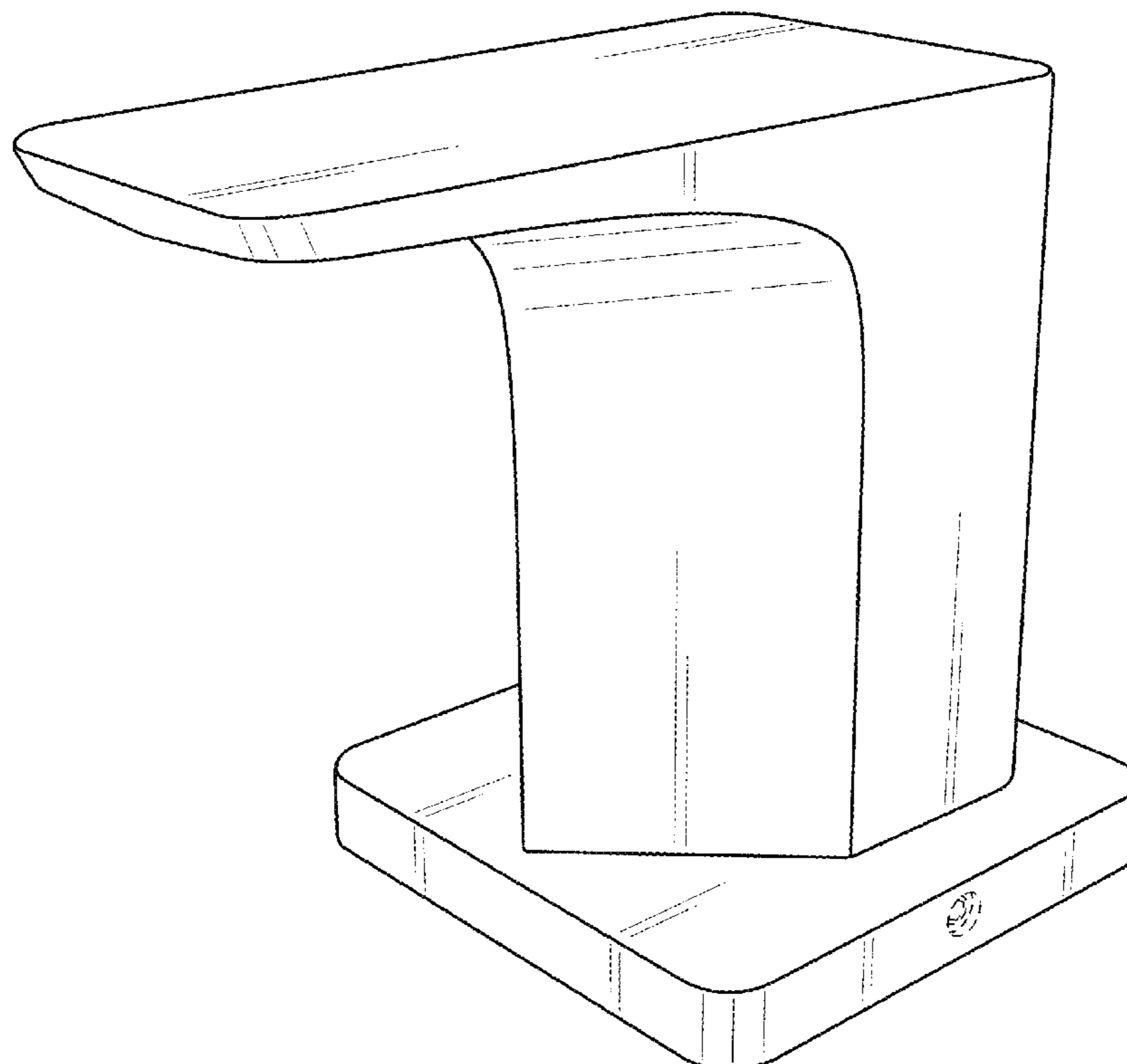
(57) **CLAIM**

The ornamental design for a faucet handle, as shown and described.

DESCRIPTION

FIG. 1 is a perspective view of a faucet handle showing our new design;
FIG. 2 is a front view thereof;
FIG. 3 is a rear view thereof;
FIG. 4 is a left side view thereof;
FIG. 5 is a right side view thereof;
FIG. 6 is a top view thereof; and,
FIG. 7 is a bottom view thereof.
The broken lines shown in the figures are included for the purpose of illustrating portions of the faucet handle that form no part of the claimed design.

1 Claim, 7 Drawing Sheets



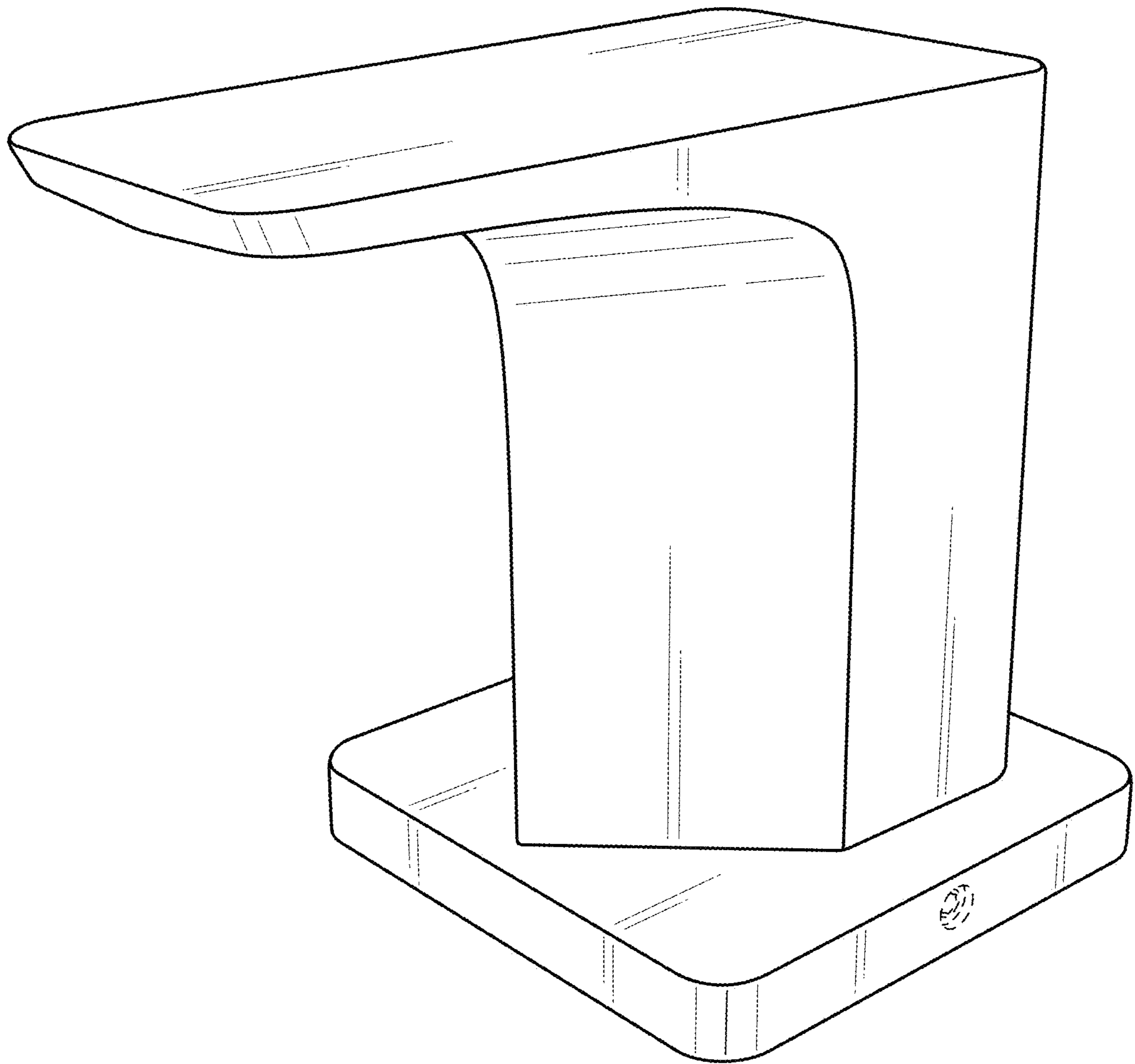


FIG. 1

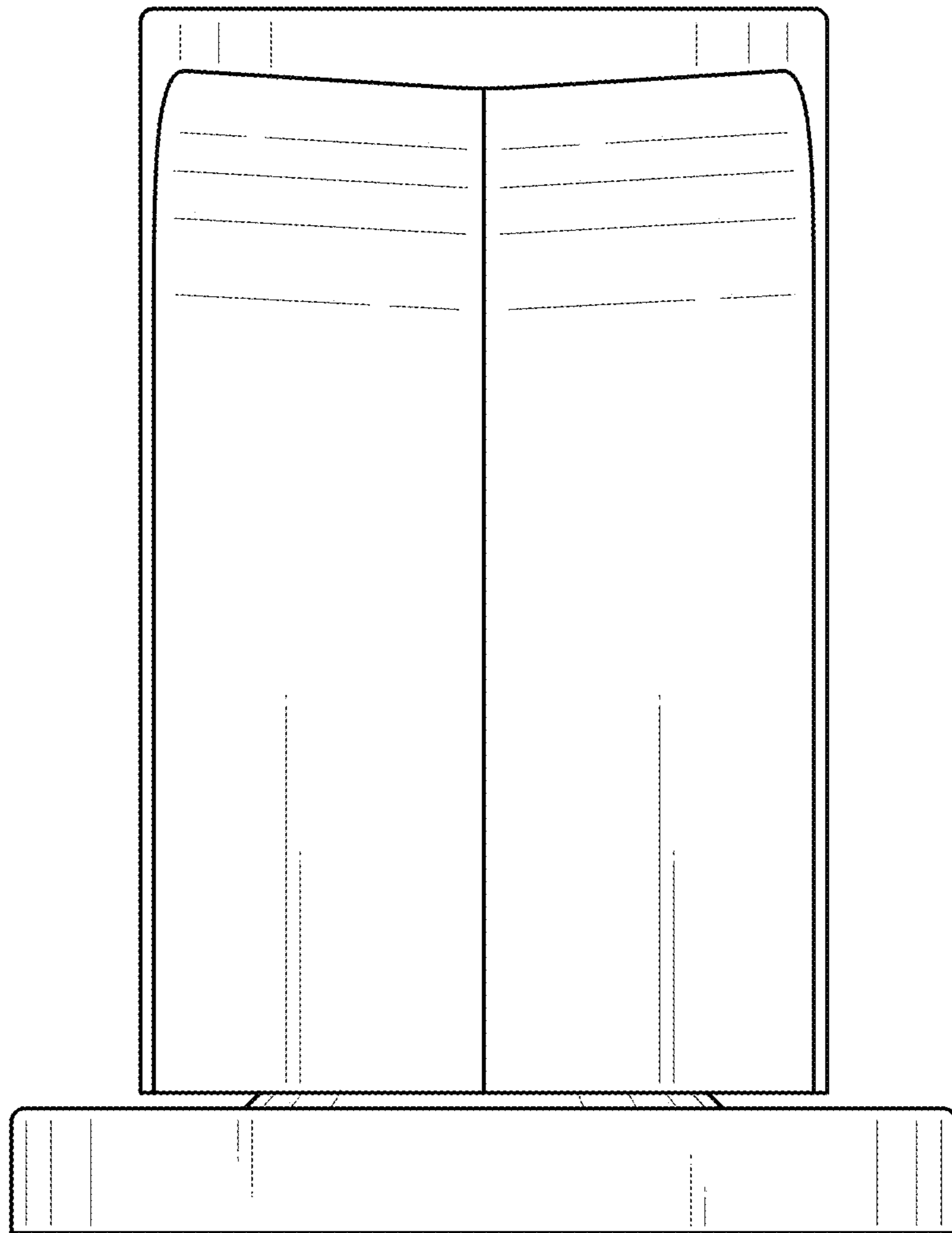


FIG. 2

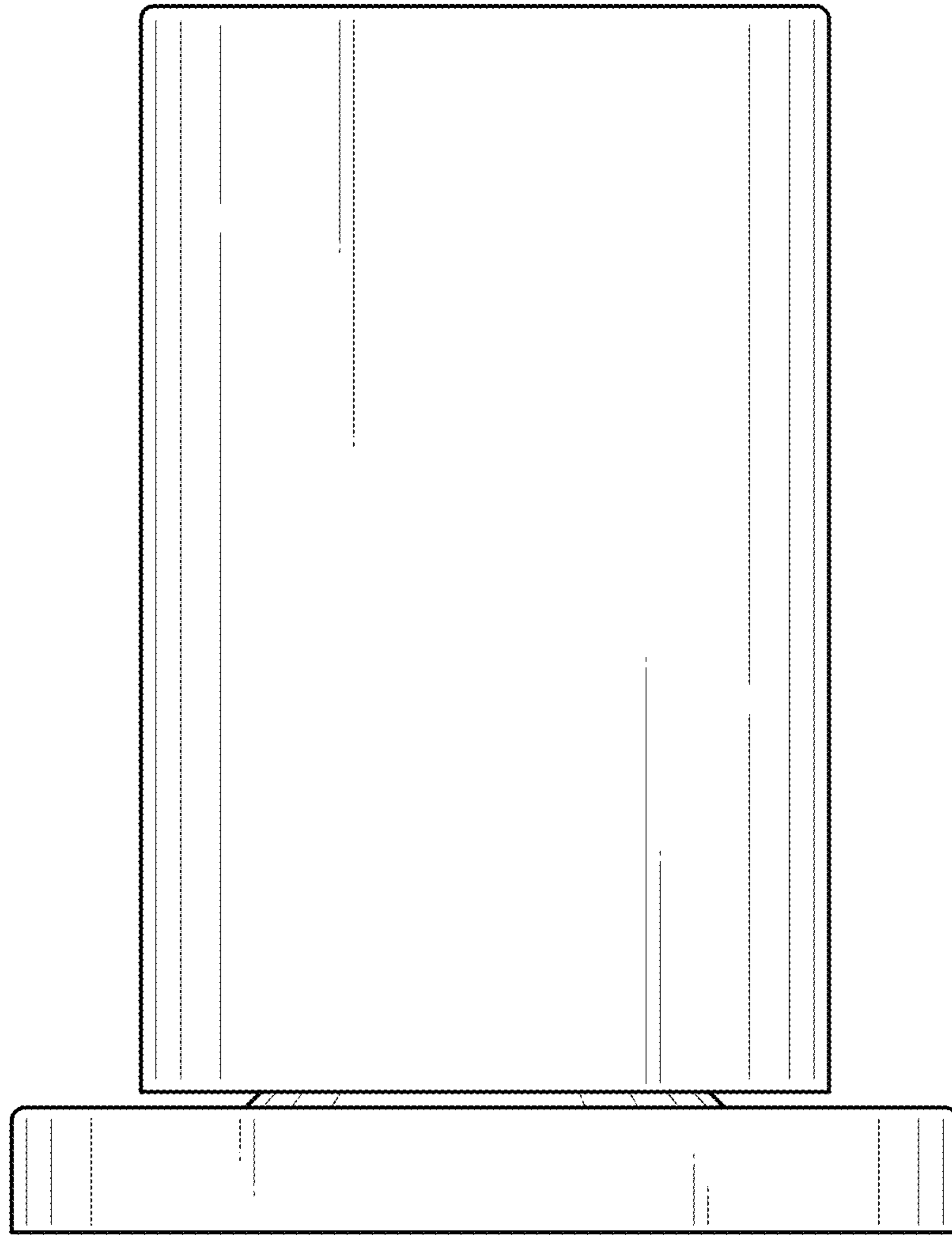


FIG. 3

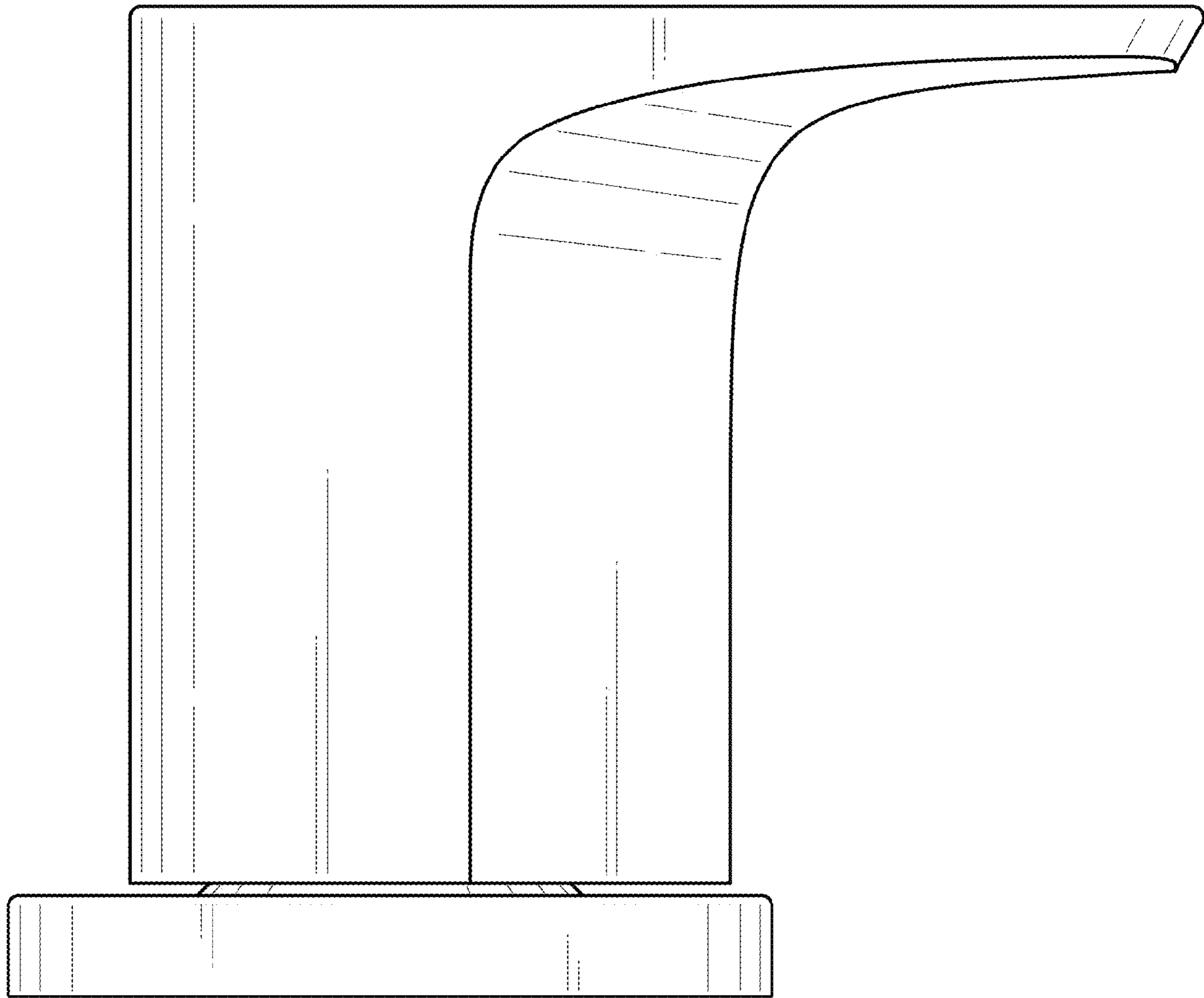


FIG. 4

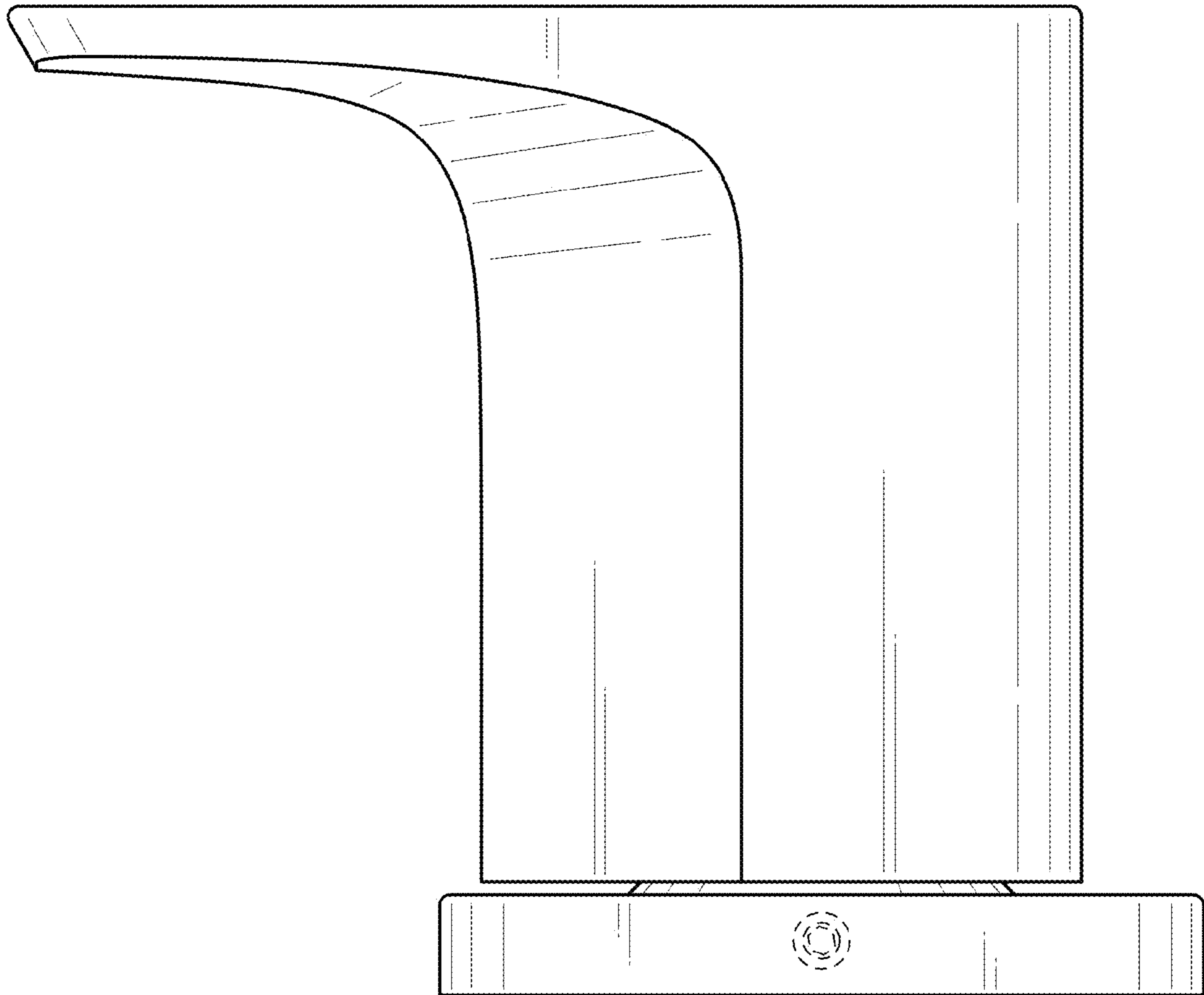


FIG. 5

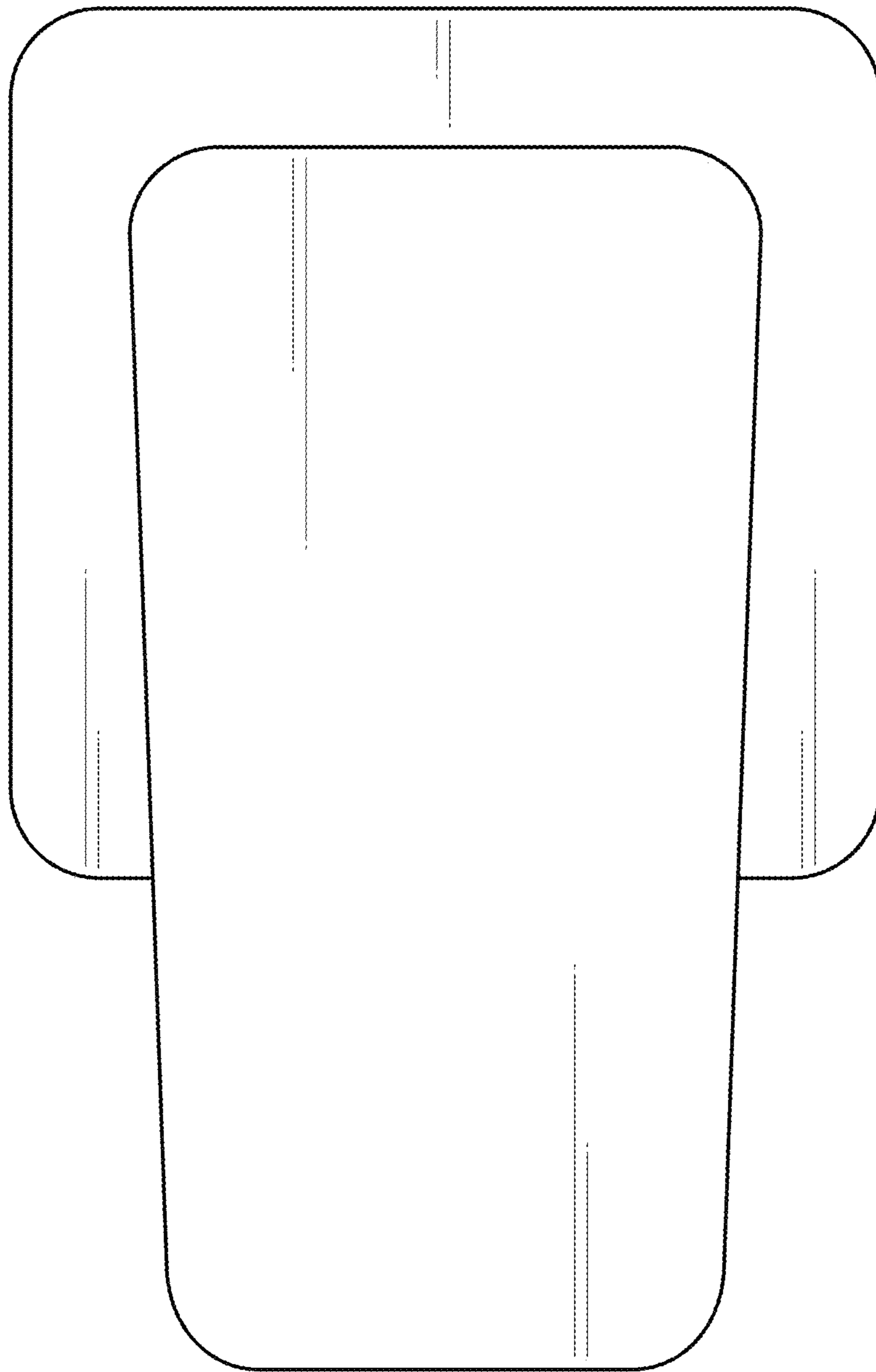


FIG. 6

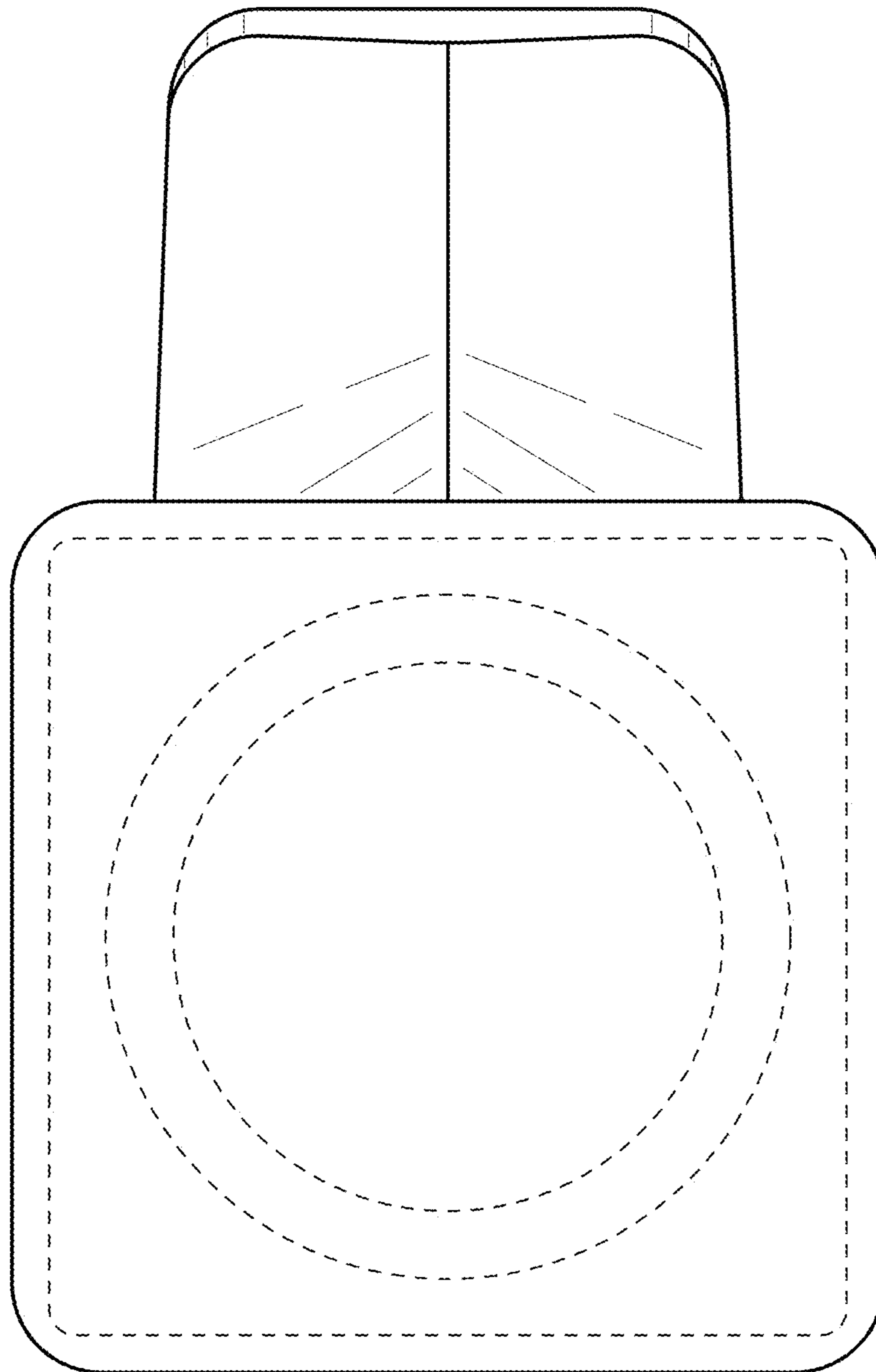


FIG. 7