



US00D914158S

(12) **United States Design Patent**  
**McKeone et al.**

(10) **Patent No.:** **US D914,158 S**  
(45) **Date of Patent:** **\*\* Mar. 23, 2021**

(54) **ESCUTCHEON FOR FAUCET OR HANDLE**

(71) Applicant: **Kohler Co.**, Kohler, WI (US)

(72) Inventors: **William C. McKeone**, Sheboygan, WI (US); **Jill E. Hundley**, Sheboygan, WI (US)

(73) Assignee: **KOHLER CO.**, Kohler, WI (US)

(\*\*) Term: **15 Years**

(21) Appl. No.: **29/730,924**

(22) Filed: **Apr. 9, 2020**

**Related U.S. Application Data**

(62) Division of application No. 29/634,682, filed on Jan. 24, 2018, now Pat. No. Des. 884,126, which is a division of application No. 29/577,840, filed on Sep. 15, 2016, now Pat. No. Des. 820,415.

(51) **LOC (13) Cl.** ..... **23-01**

(52) **U.S. Cl.**  
USPC ..... **D23/249**

(58) **Field of Classification Search**  
USPC ..... D23/223, 238, 239, 240, 241, 242, 243, D23/249, 250, 255, 256, 257; D6/524  
CPC ..... E03C 1/04; E03C 1/0401; E03C 1/0402; E03C 1/0404; E03C 1/0405; E03C 1/0412; Y10T 137/9464

See application file for complete search history.

(56) **References Cited**

**U.S. PATENT DOCUMENTS**

D278,270 S	4/1985	Niemann
D407,801 S	4/1999	Kolada
D421,642 S	3/2000	Ko
D522,107 S	5/2006	Oliver et al.
D527,444 S	8/2006	Gilbert

D579,085 S	*	10/2008	Dolan	.....	D23/250
D583,212 S		12/2008	Grohmann		
D602,122 S	*	10/2009	Corbett	.....	D23/238
D608,124 S		1/2010	Sedwick		
D623,725 S		9/2010	Bouroullec et al.		
D642,242 S	*	7/2011	Corbett	.....	D23/255
D644,303 S		8/2011	Slothower et al.		

(Continued)

*Primary Examiner* — John A Voytek

(74) *Attorney, Agent, or Firm* — Foley & Lardner LLP

(57) **CLAIM**

We claim the ornamental design for a escutcheon for faucet or handle, as shown and described.

**DESCRIPTION**

FIG. 1 is a perspective view of an embodiment of the claimed design;

FIG. 2 is a front view of the embodiment of FIG. 1;

FIG. 3 is a rear view of the embodiment of FIG. 1;

FIG. 4 is a side view of the embodiment of FIG. 1

FIG. 5 is a another side view of the embodiment of FIG. 1;

FIG. 6 is a top view of the embodiment of FIG. 1;

FIG. 7 is a bottom view of the embodiment of FIG. 1;

FIG. 8 is a perspective view of another embodiment of the claimed design;

FIG. 9 is a front view of the embodiment of FIG. 8;

FIG. 10 is a rear view of the embodiment of FIG. 8;

FIG. 11 is a side view of the embodiment of FIG. 8;

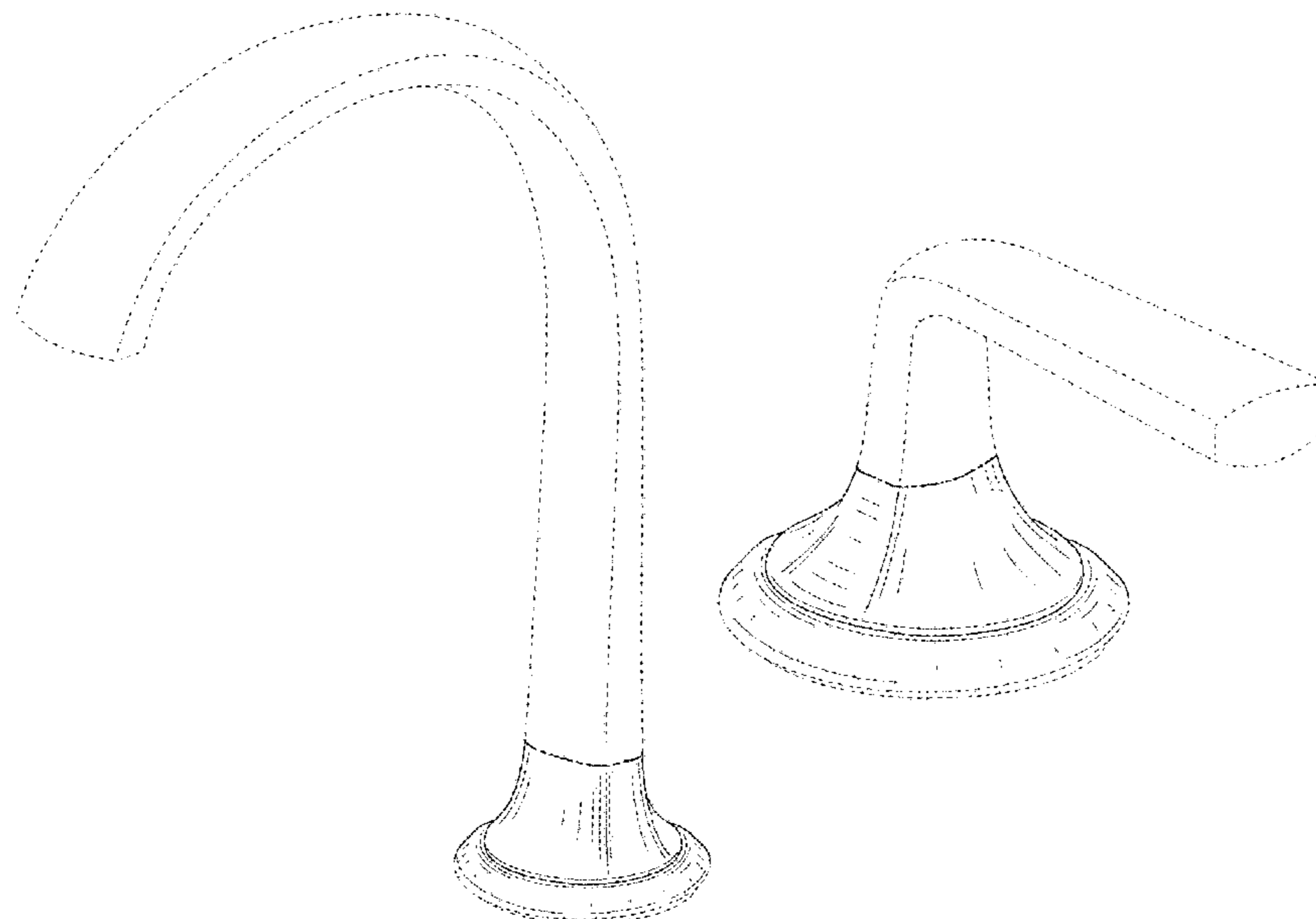
FIG. 12 is a another side view of the embodiment of FIG. 8;

FIG. 13 is a top view of the embodiment of FIG. 8; and,

FIG. 14 is a bottom view of the embodiment of FIG. 8.

The ornamental design which is claimed is shown in solid lines in the drawings. The broken lines in the drawings form no part of the claimed design. Broken lines formed by equal length dashes show unclaimed subject matter. Broken lines formed of unequal length dashes (i.e., dash-dot) define bounds of the claimed design.

**1 Claim, 9 Drawing Sheets**



(56)

References Cited

U.S. PATENT DOCUMENTS

D648,424 S \* 11/2011 Gilbert ..... D23/254  
D657,439 S 4/2012 Lammel et al.  
D660,944 S 5/2012 Lammel et al.  
D690,398 S 9/2013 Flowers et al.  
D713,710 S 9/2014 Roberts, III  
D724,184 S 3/2015 Cahill et al.  
D734,121 S 7/2015 Schneider et al.  
D757,224 S \* 5/2016 Reinhart ..... D23/249  
D769,640 S \* 10/2016 Chang ..... D6/524  
D787,022 S 5/2017 Lopez  
D797,897 S 9/2017 Fritz  
D806,509 S 1/2018 Weise  
D811,544 S 2/2018 Takayama et al.  
D820,415 S \* 6/2018 McKeone ..... D23/255  
D824,235 S 7/2018 Schneider  
D829,867 S \* 10/2018 McKeone ..... D23/255  
D838,349 S \* 1/2019 McKeone ..... D23/253  
D853,532 S 7/2019 Eads  
D855,768 S 8/2019 Eads  
D866,288 S 11/2019 Roberts et al.  
D871,555 S \* 12/2019 Park ..... D23/255  
D879,918 S \* 3/2020 Fritz ..... D23/255  
D881,350 S \* 4/2020 Eads ..... D23/255  
D886,244 S \* 6/2020 Eads ..... D23/255

\* cited by examiner

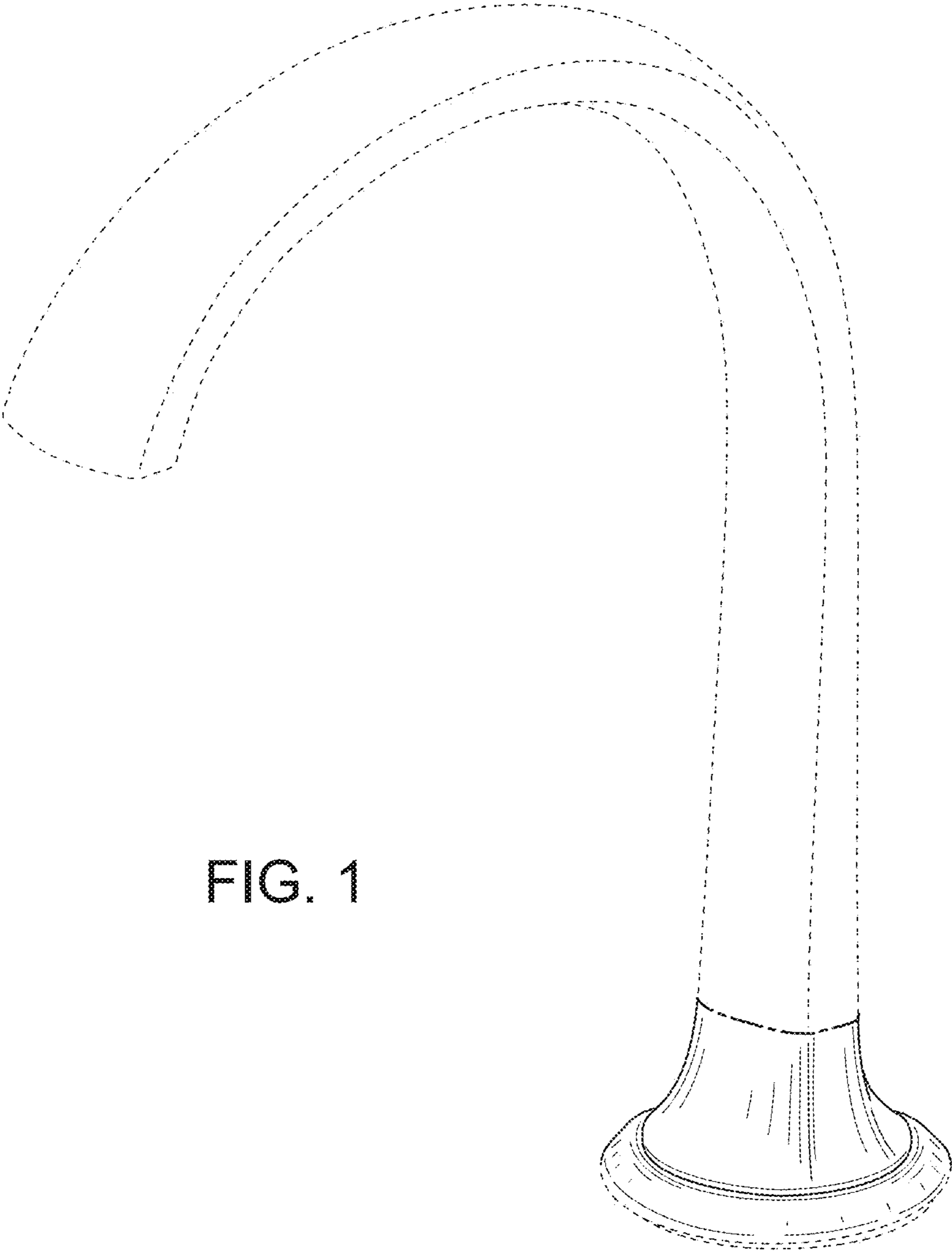


FIG. 1

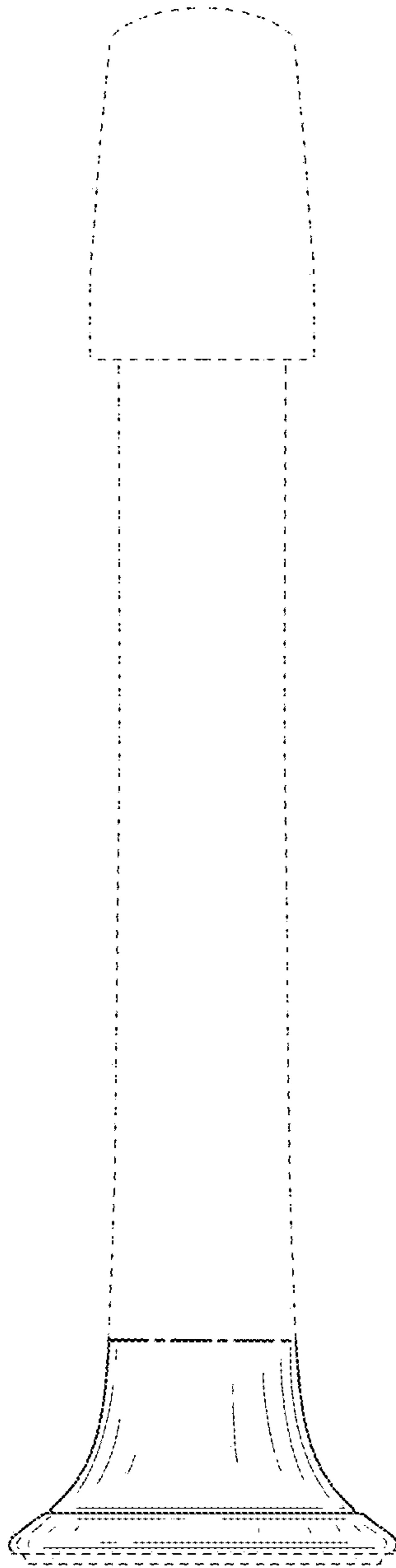


FIG. 2

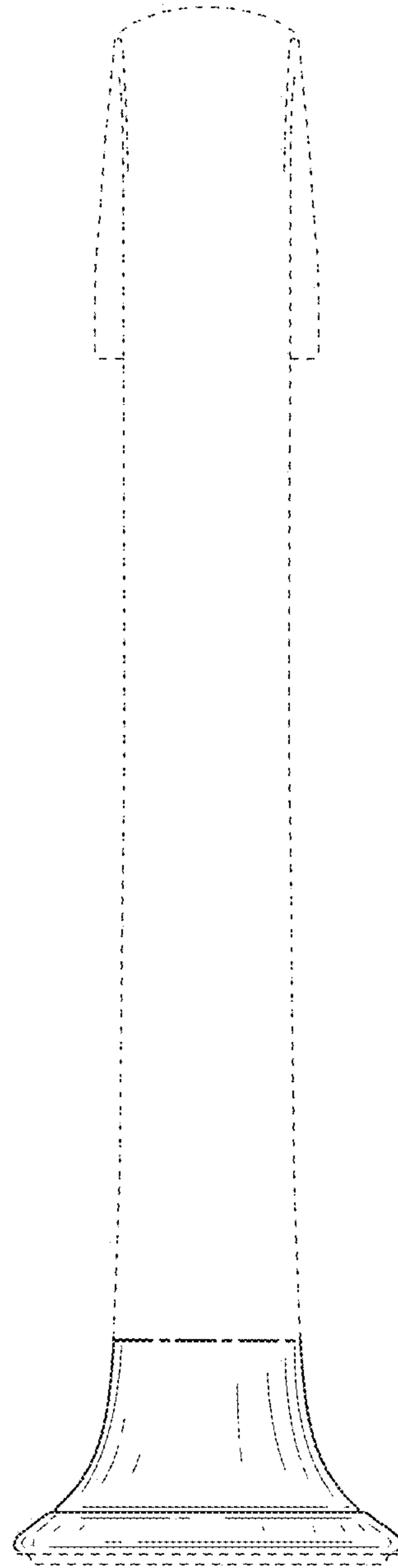


FIG. 3

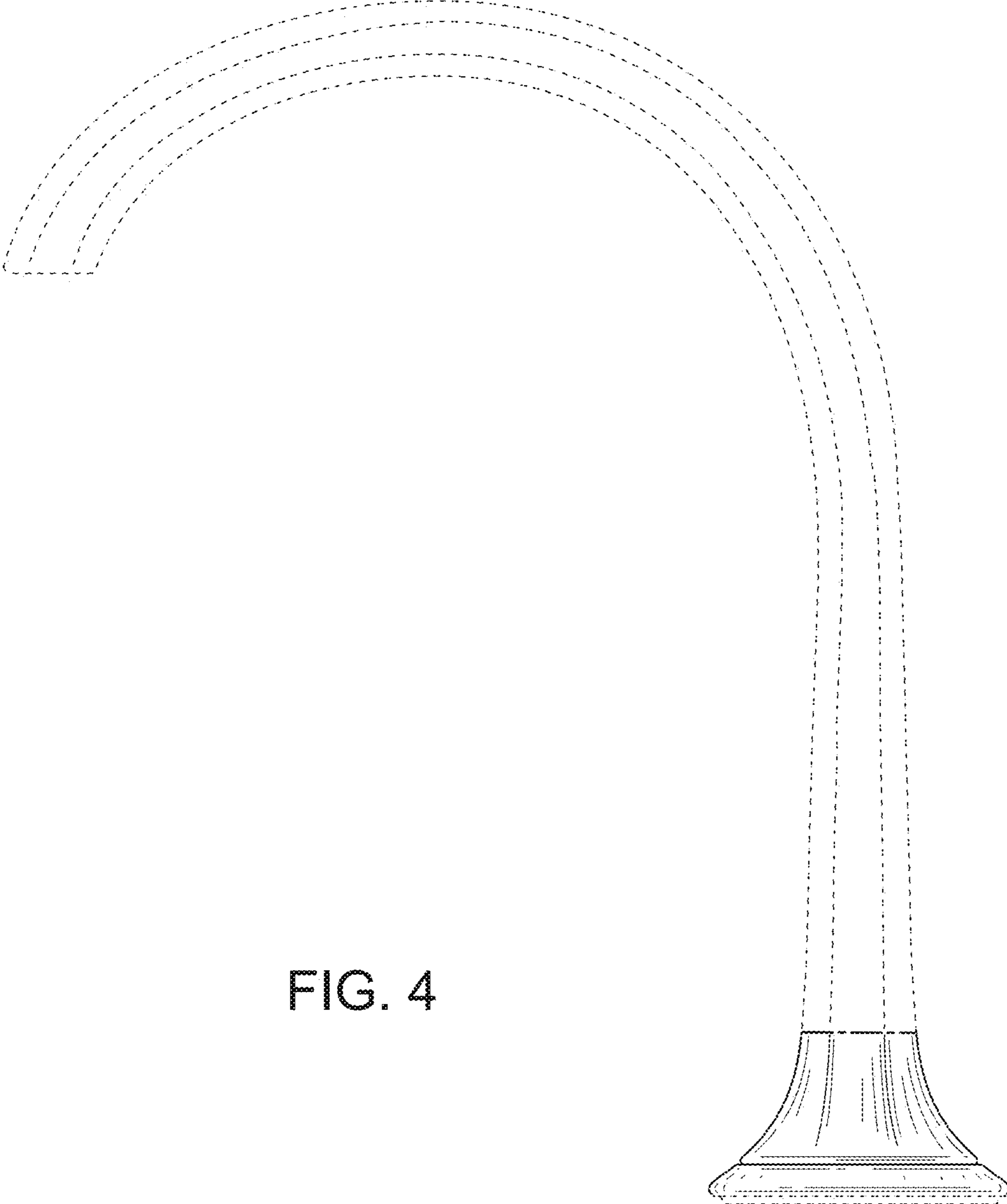


FIG. 4

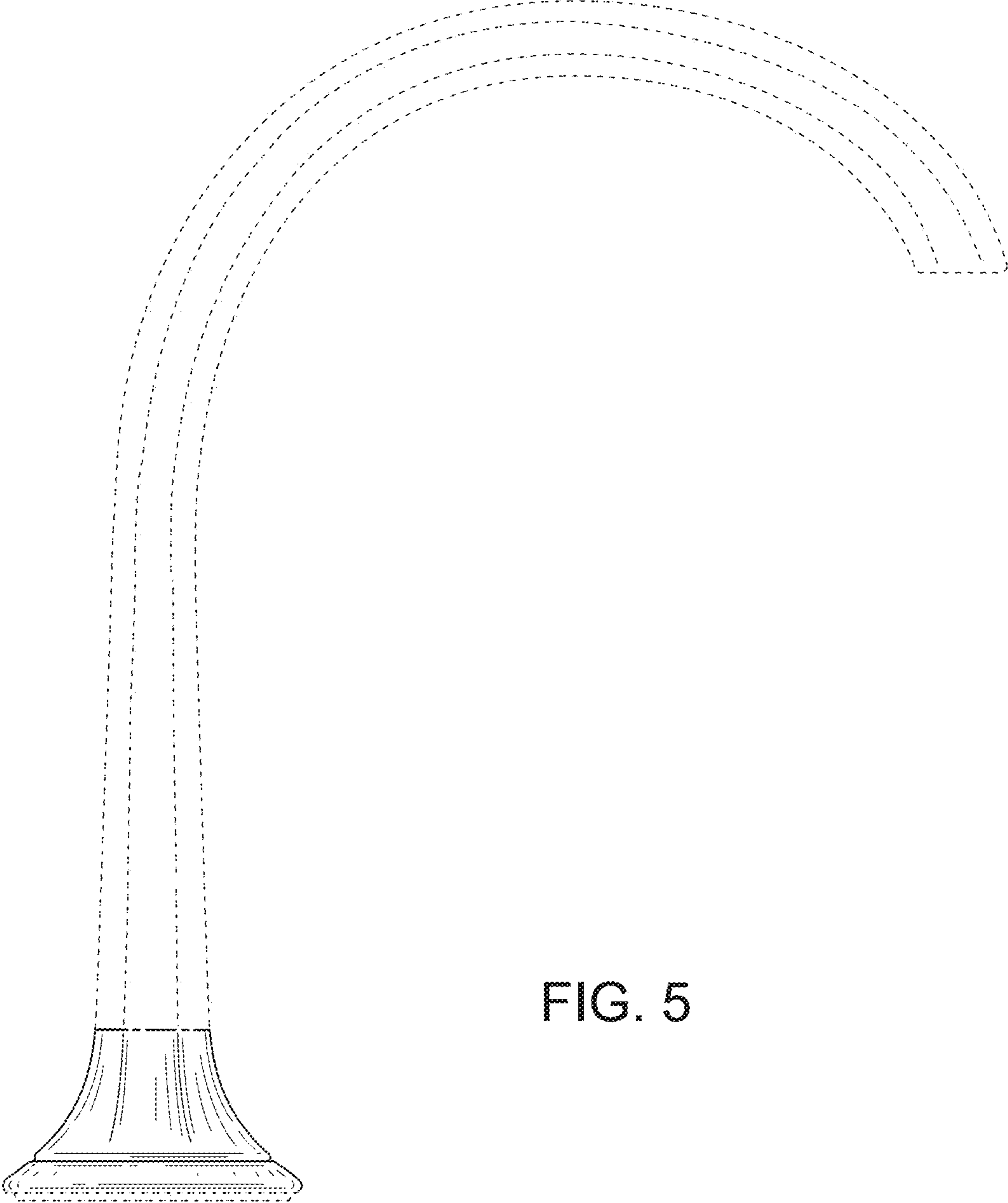


FIG. 5

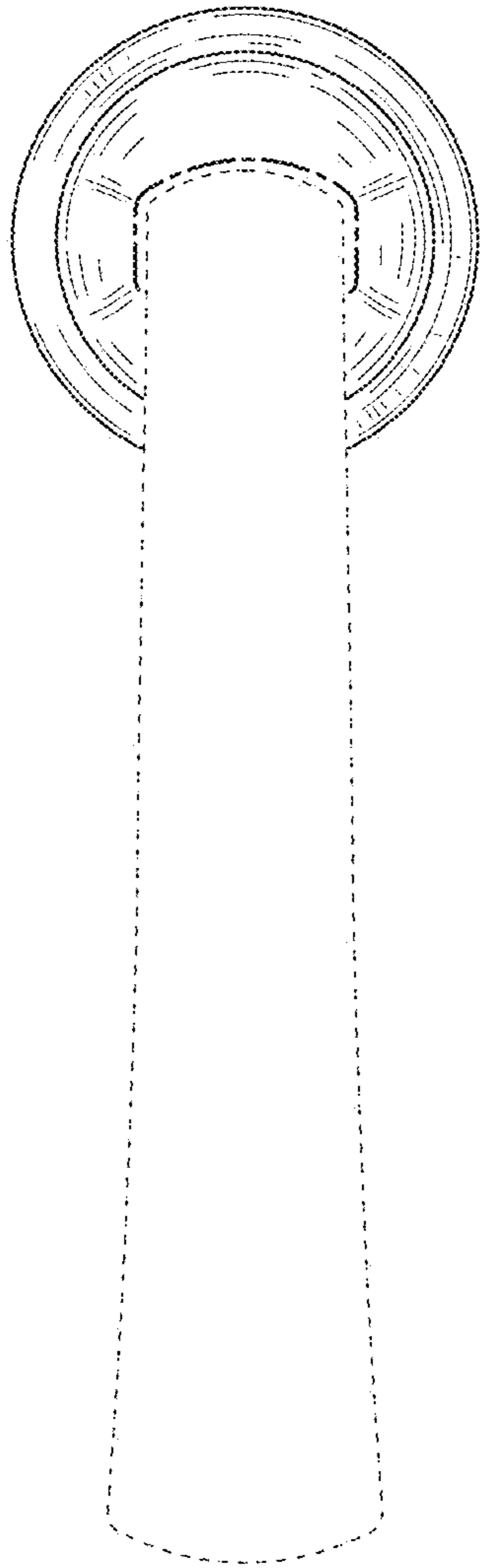


FIG. 6

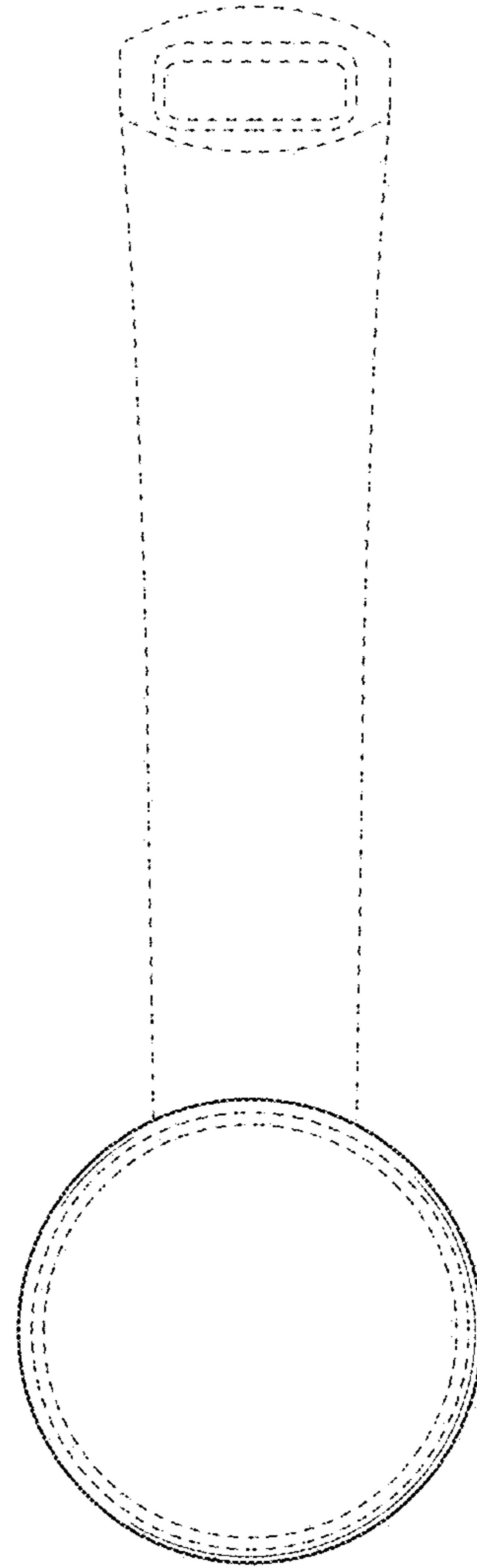


FIG. 7



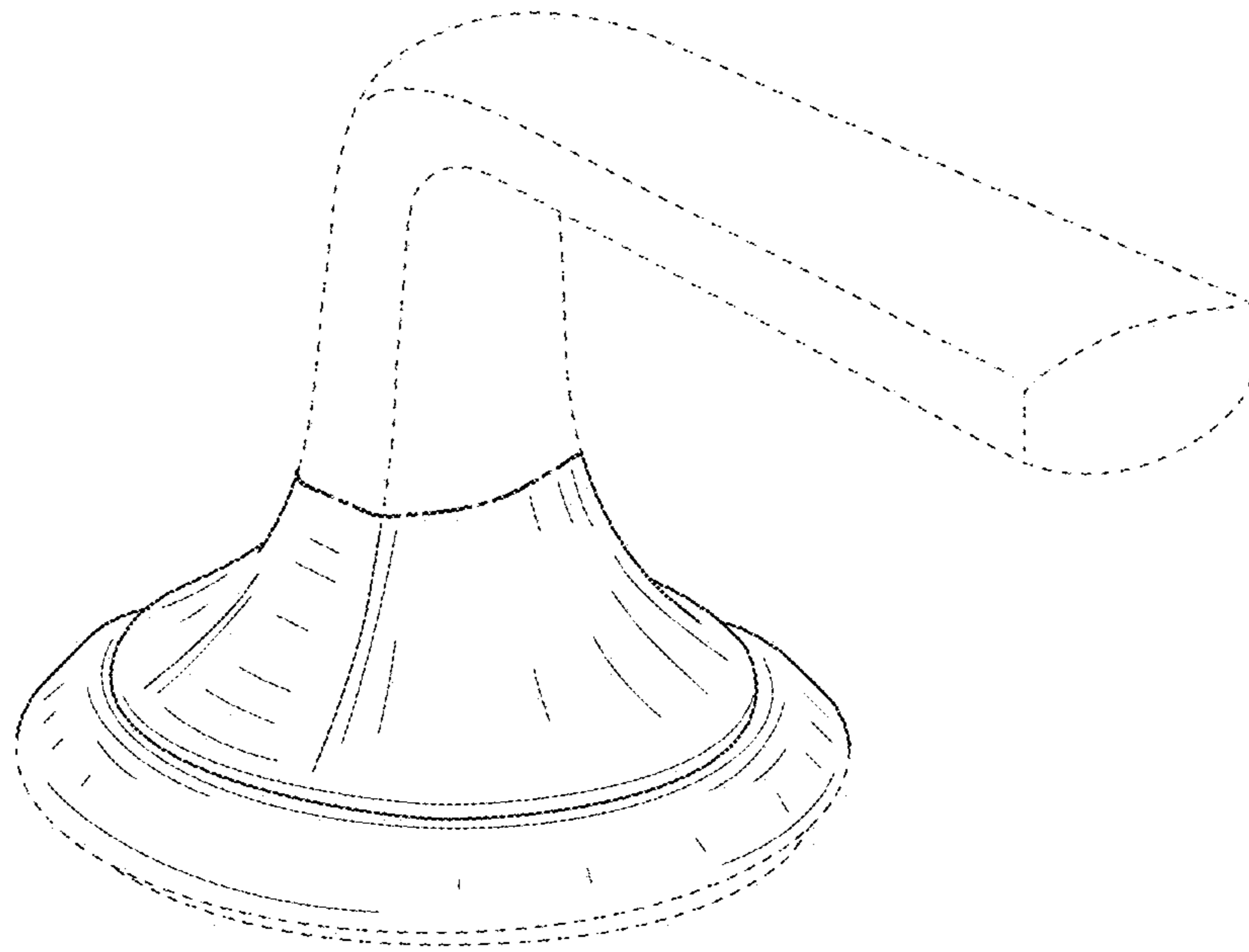


FIG. 8



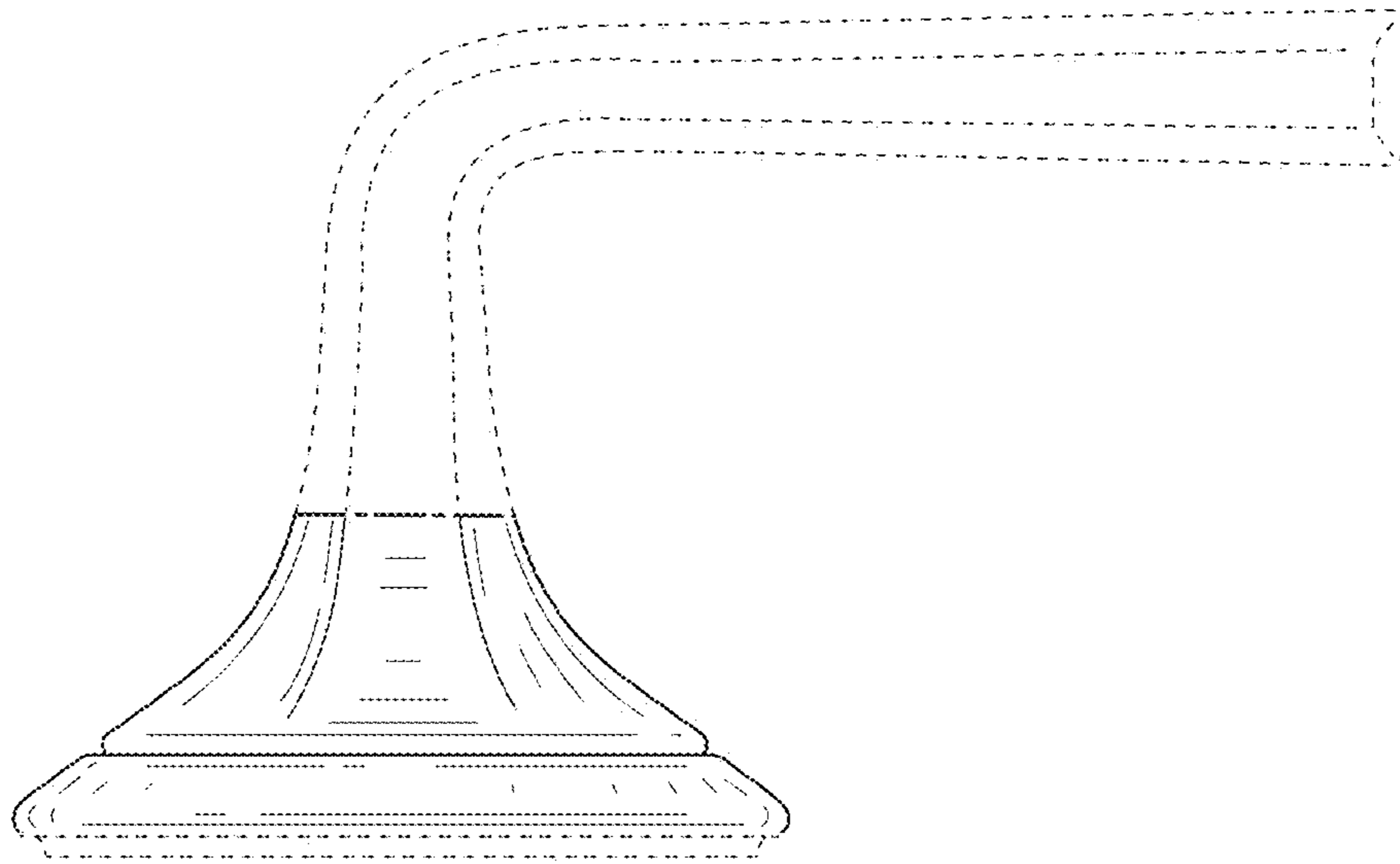


FIG. 9

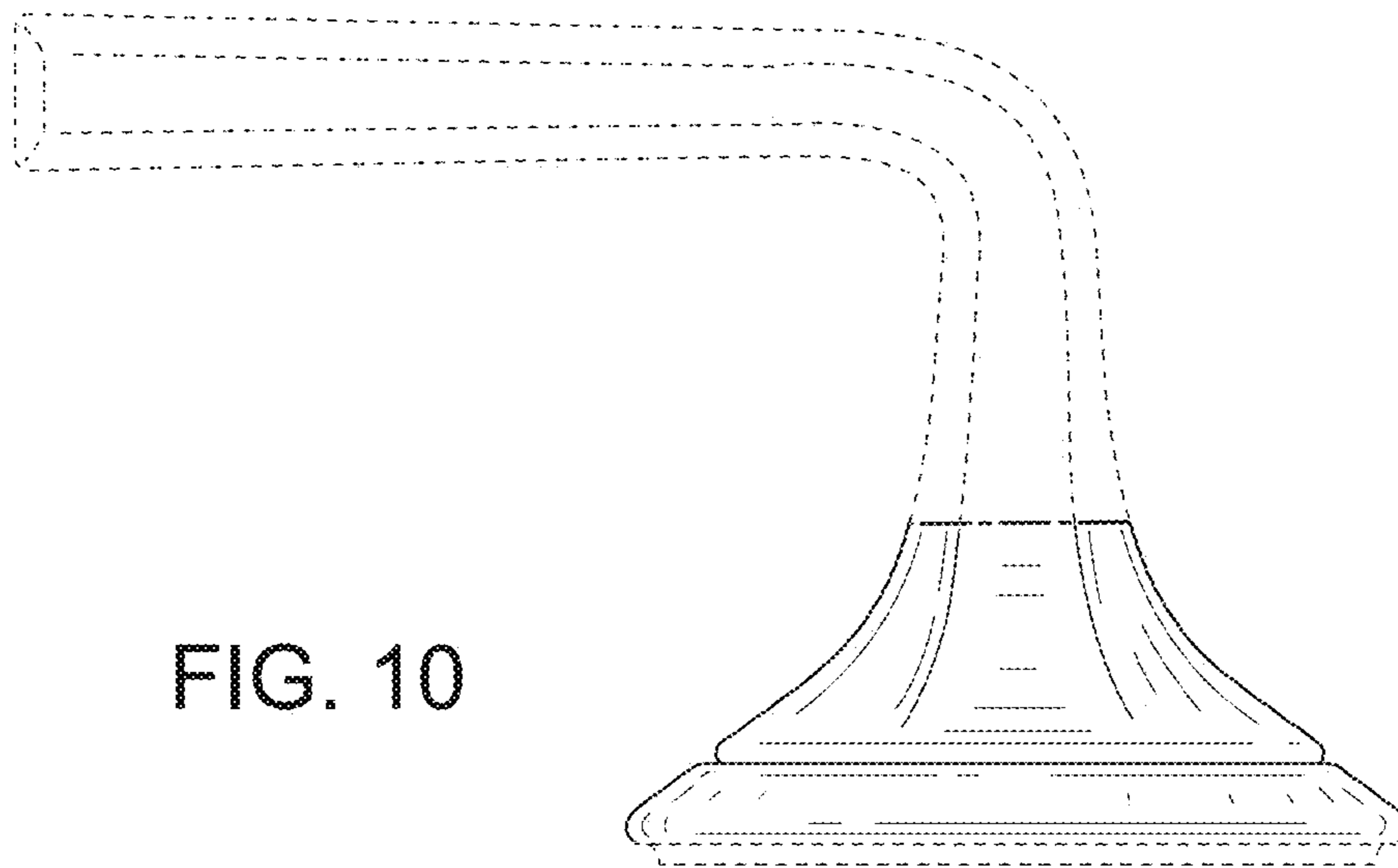


FIG. 10

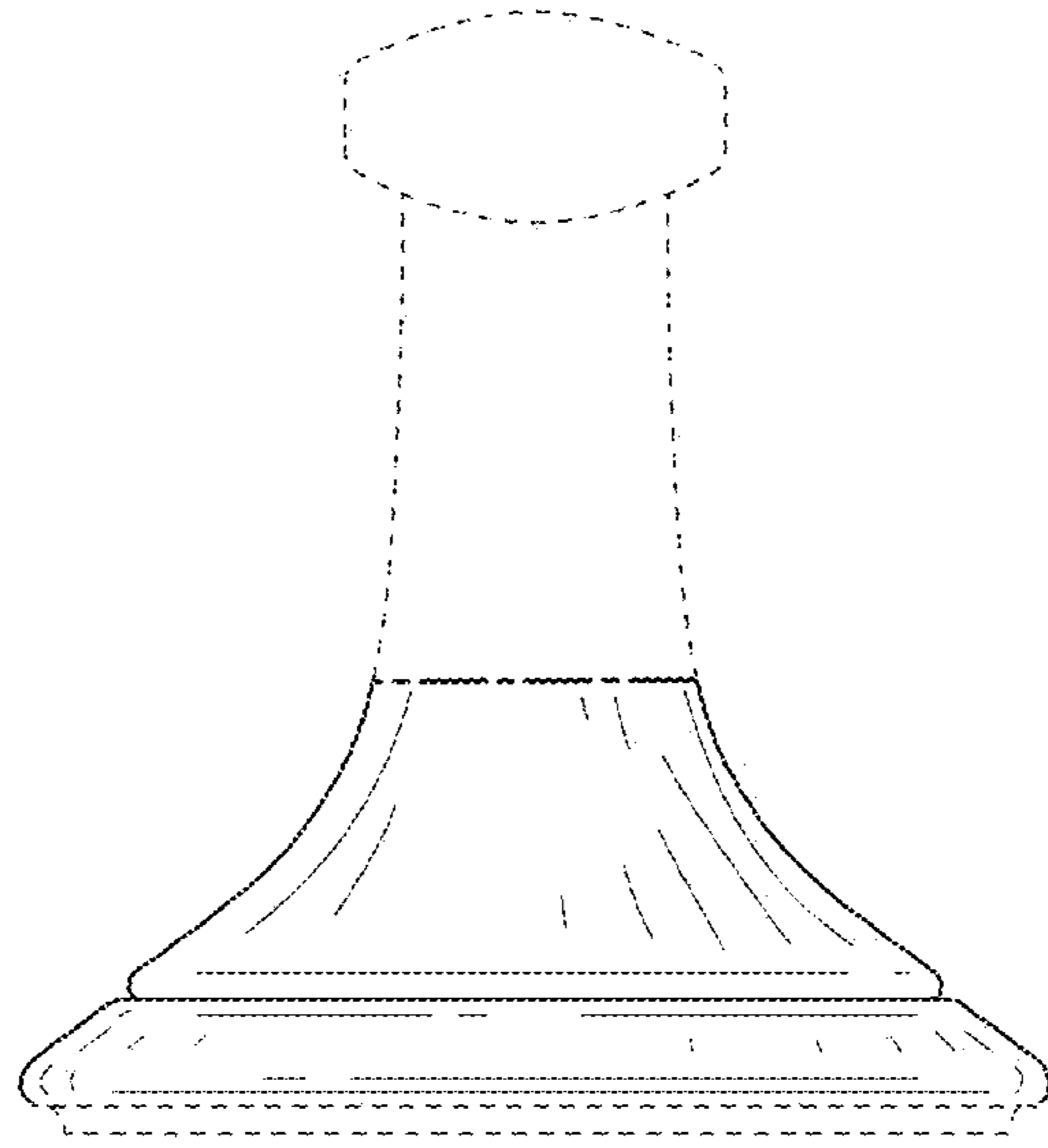


FIG. 11

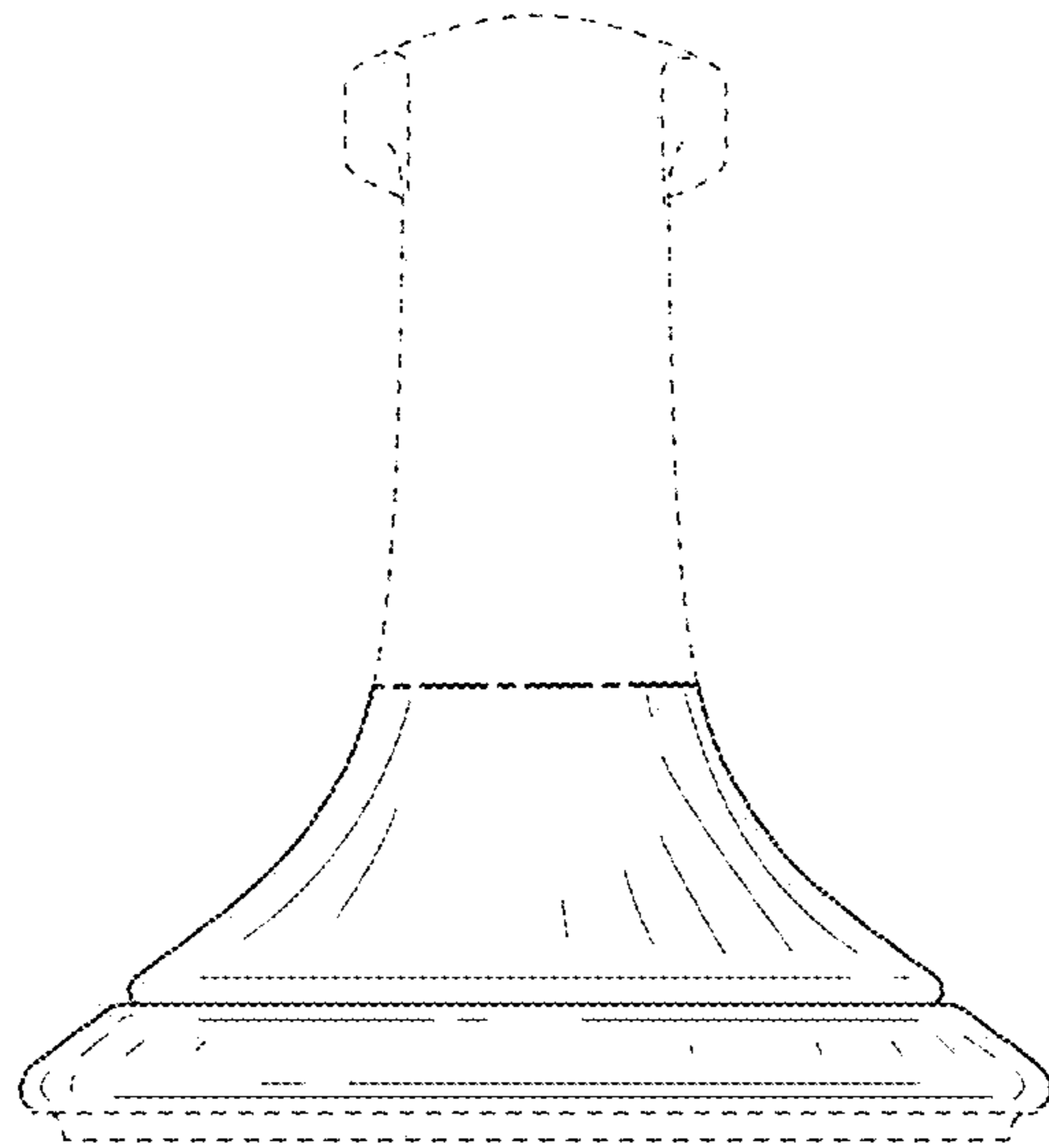


FIG. 12

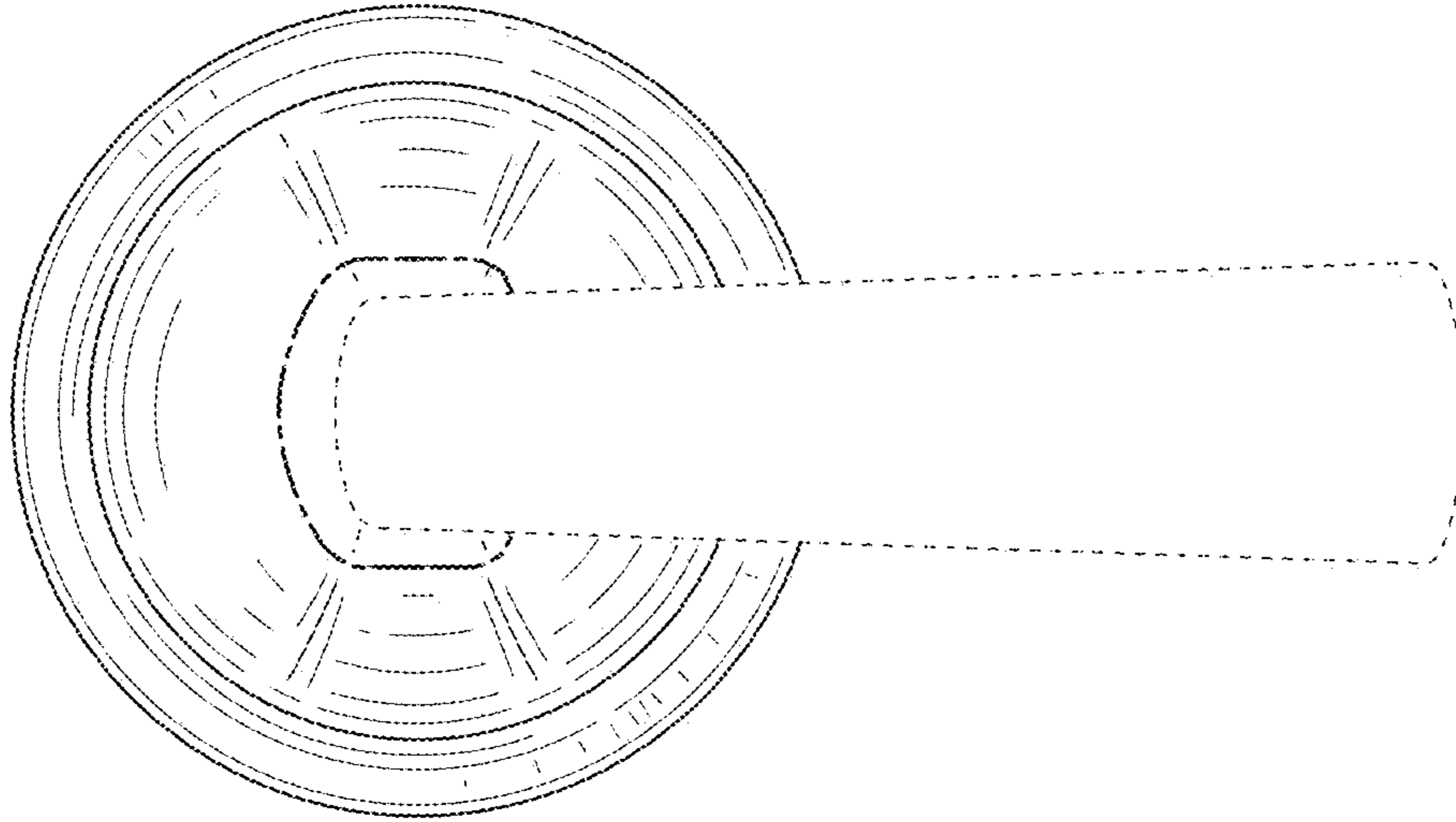


FIG. 13

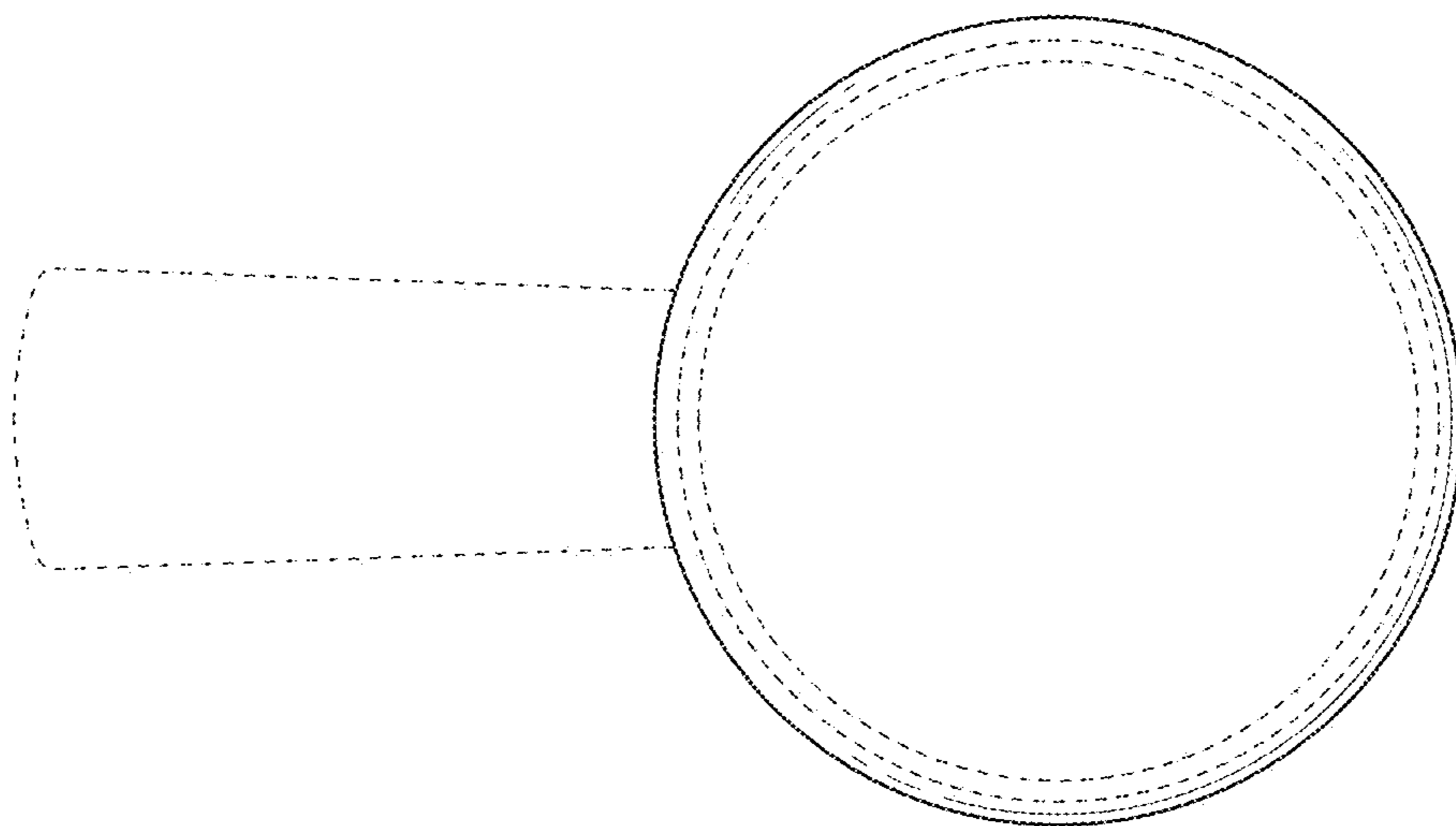


FIG. 14