



US00D914157S

(12) **United States Design Patent** (10) **Patent No.:** **US D914,157 S**
Rogers (45) **Date of Patent:** **** Mar. 23, 2021**

(54) **FAUCET ATTACHMENT**

(71) Applicant: **Harrison Rogers**, Franklin, TN (US)

(72) Inventor: **Harrison Rogers**, Franklin, TN (US)

(**) Term: **15 Years**

(21) Appl. No.: **29/702,167**

(22) Filed: **Aug. 16, 2019**

(51) **LOC (13) Cl.** **23-01**

(52) **U.S. Cl.**

USPC **D23/249**

(58) **Field of Classification Search**

USPC D23/238, 239, 240, 249, 250, 253, 265;
D6/521, 546, 549, 323, 524, 550, 566,
D6/675.5; D3/328

CPC A47K 2010/3233; A47K 10/12; A47K
10/32; A47K 2201/00; A63B 2209/10

See application file for complete search history.

(56) **References Cited**

U.S. PATENT DOCUMENTS

4,998,647 A 3/1991 Sharp
D716,914 S * 11/2014 Wilbanks D23/249
D839,389 S * 1/2019 Wieser D23/240
D889,604 S * 7/2020 Shane D23/249
2018/0098654 A1 4/2018 Larson et al.

FOREIGN PATENT DOCUMENTS

CN 202469221 U 10/2012
CN 203215064 U 9/2013
JP H0630918 Y2 8/1994
JP 4747479 B2 4/2003
KR 200471433 Y1 2/2014

OTHER PUBLICATIONS

<https://www.aliexpress.com.com/i/32958242733.html> [accessed Jun. 25, 2019].

<https://www.walmart.com/ip/Umbra-Sling-Non-Slip-Kitchen-Sink-caddy-for-Sponges-and-More/153139421> [accessed Jun. 25, 2019].

* cited by examiner

Primary Examiner — Gino Colan

(74) *Attorney, Agent, or Firm* — Alex H. Huffstutter;
Patterson Intellectual Property Law, PC

(57) **CLAIM**

What is claimed is the ornamental design for a faucet attachment, as shown and described.

DESCRIPTION

FIG. 1 is a front top perspective view of a faucet attachment showing my new design.

FIG. 2 is a rear bottom perspective view of the faucet attachment of FIG. 1.

FIG. 3 is a front elevation of the faucet attachment of FIG. 1.

FIG. 4 is a rear elevation of the faucet attachment of FIG. 1.

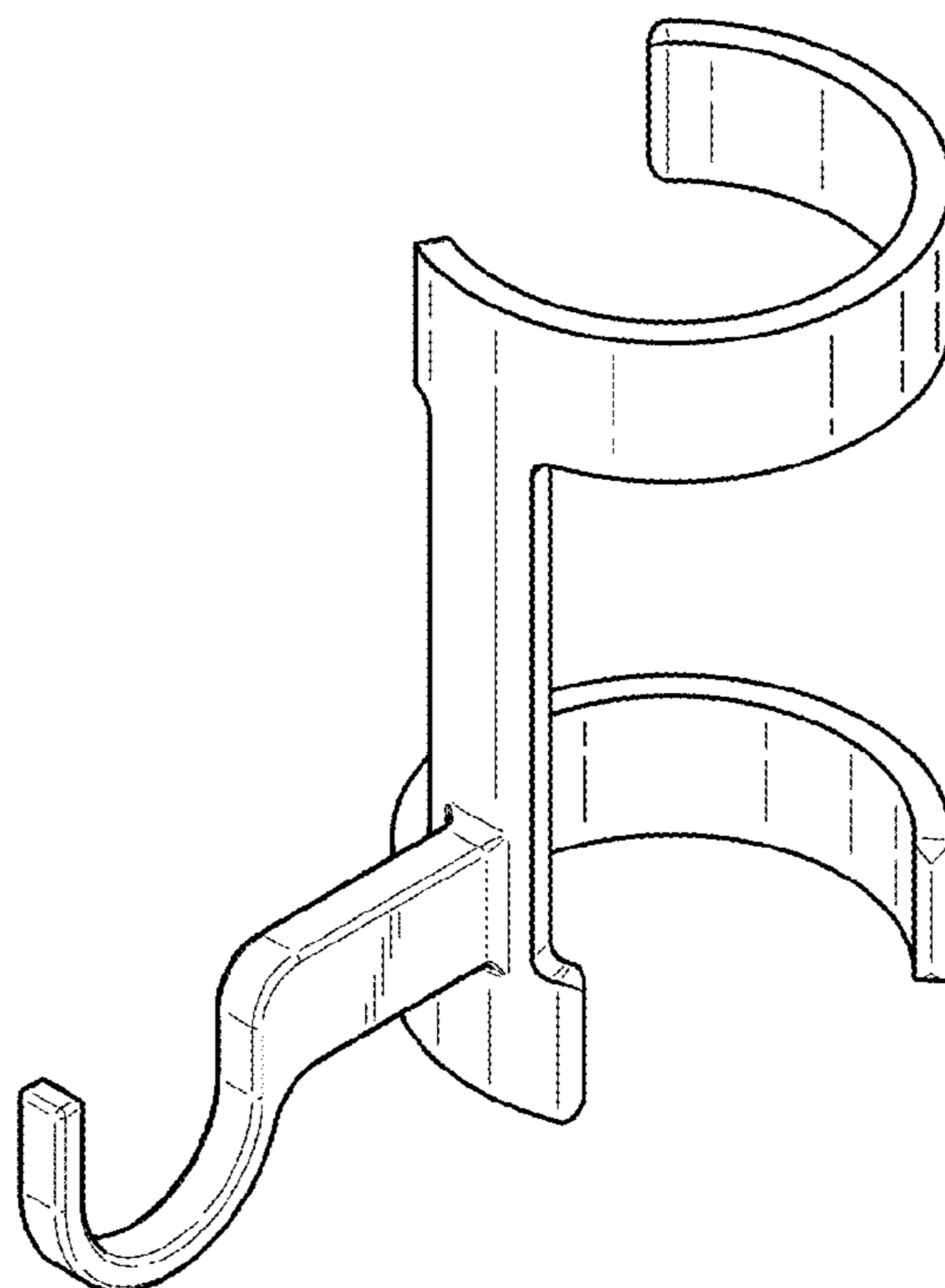
FIG. 5 is a left side elevation view of the faucet attachment of FIG. 1.

FIG. 6 is a right side elevation view of the faucet attachment of FIG. 1.

FIG. 7 is a top plan view of the faucet attachment of FIG. 1; and,

FIG. 8 is a bottom plan view of the faucet attachment of FIG. 1.

1 Claim, 3 Drawing Sheets



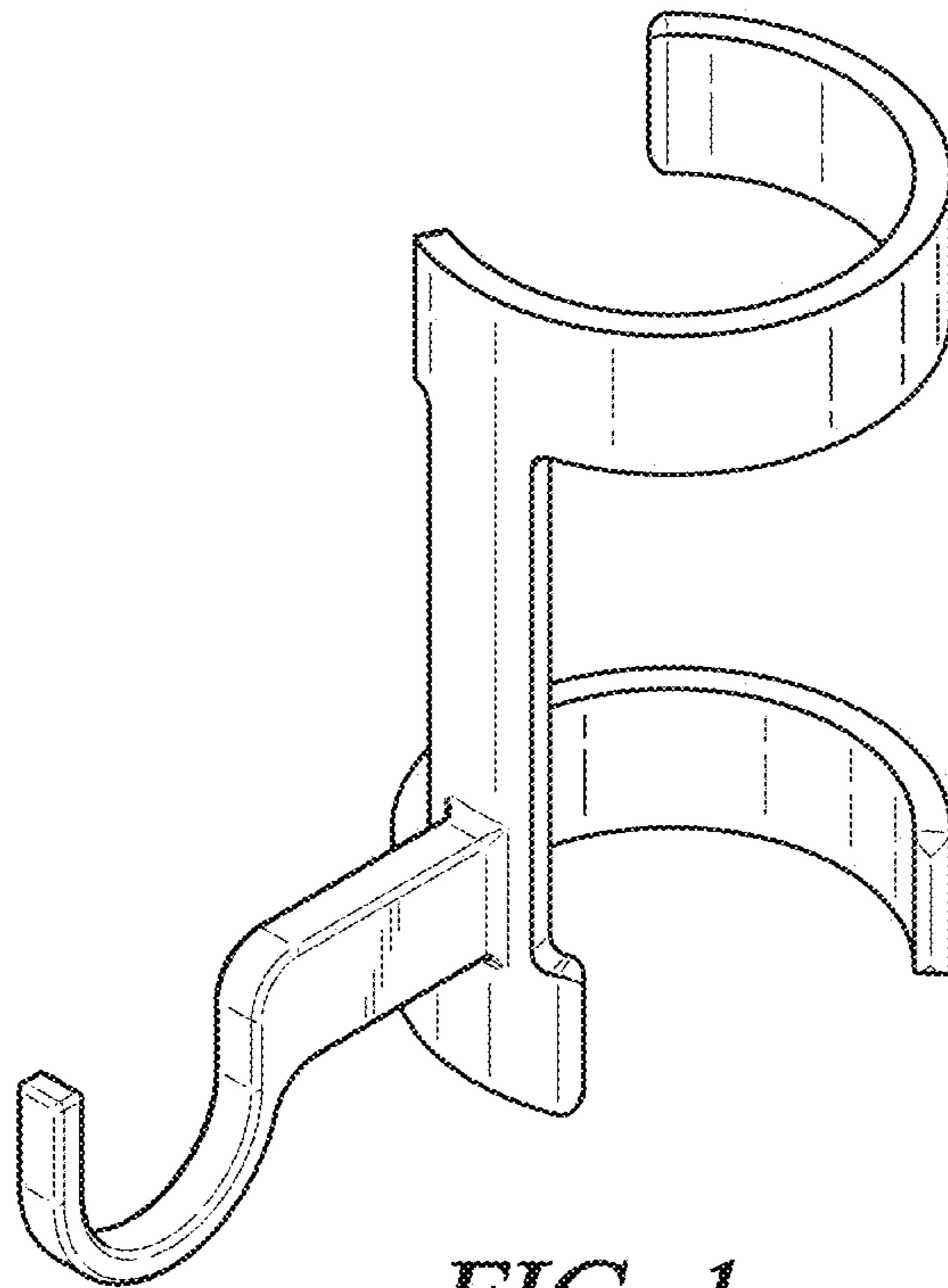


FIG. 1

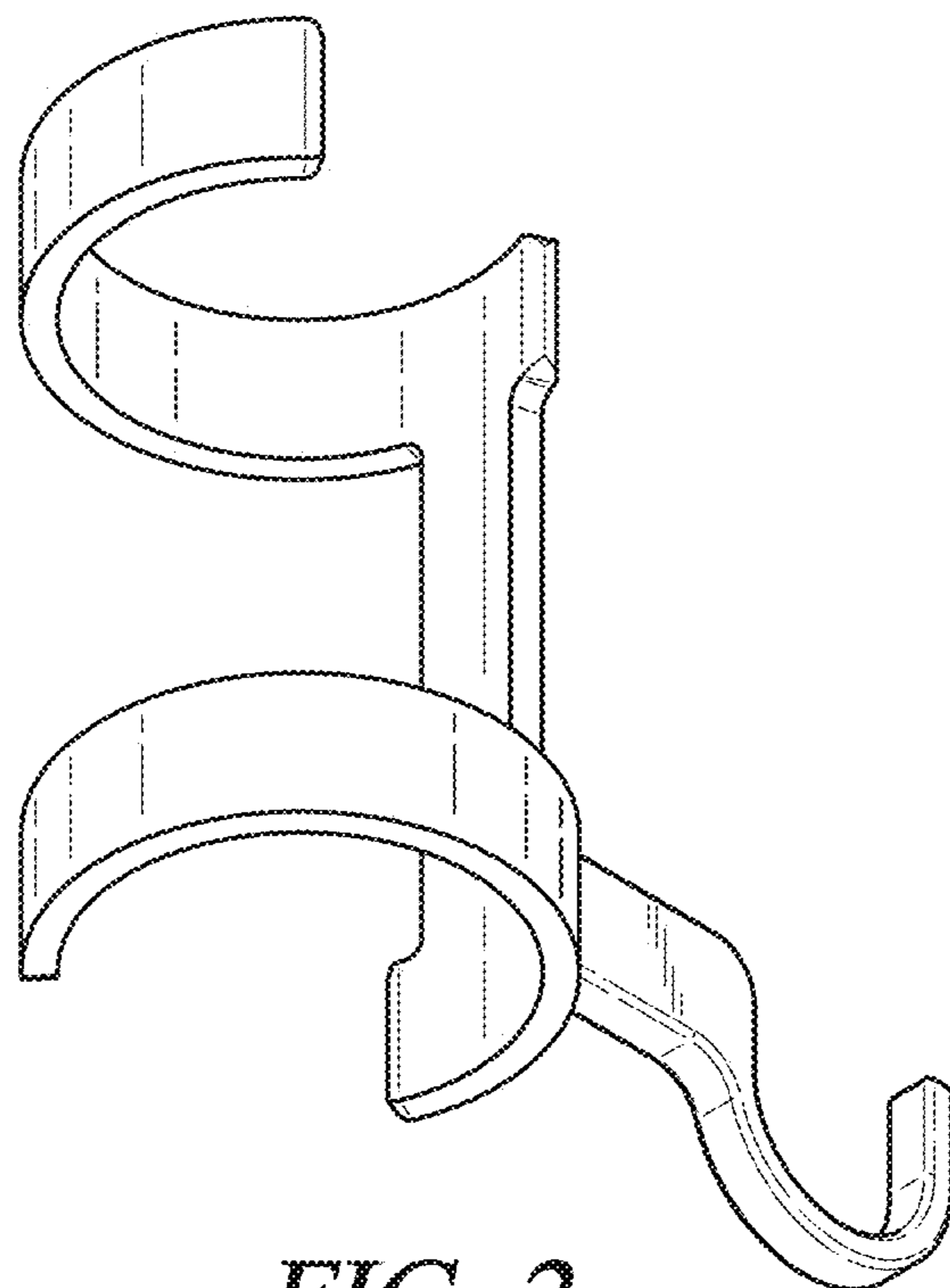


FIG. 2

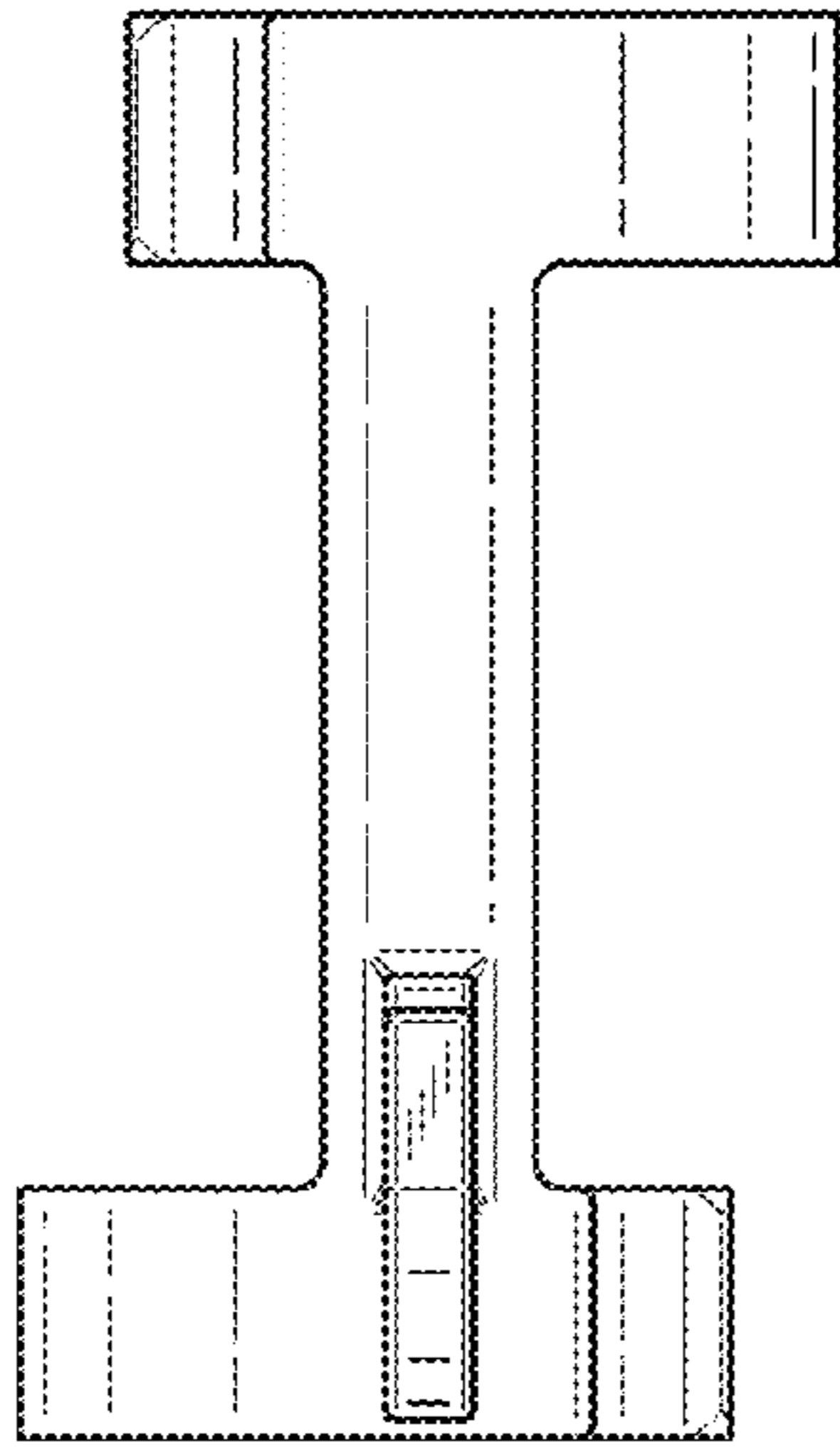


FIG. 3

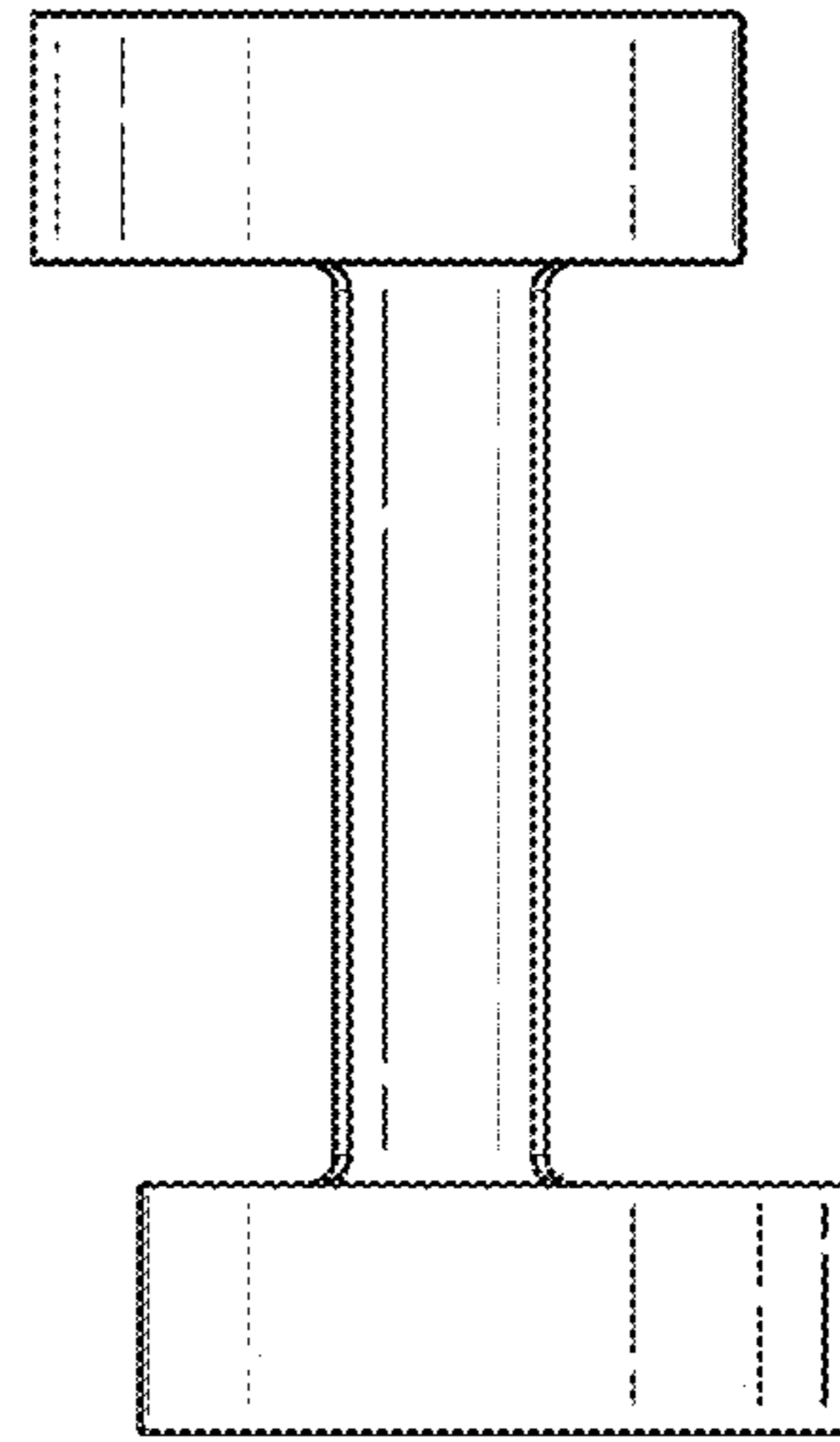


FIG. 4

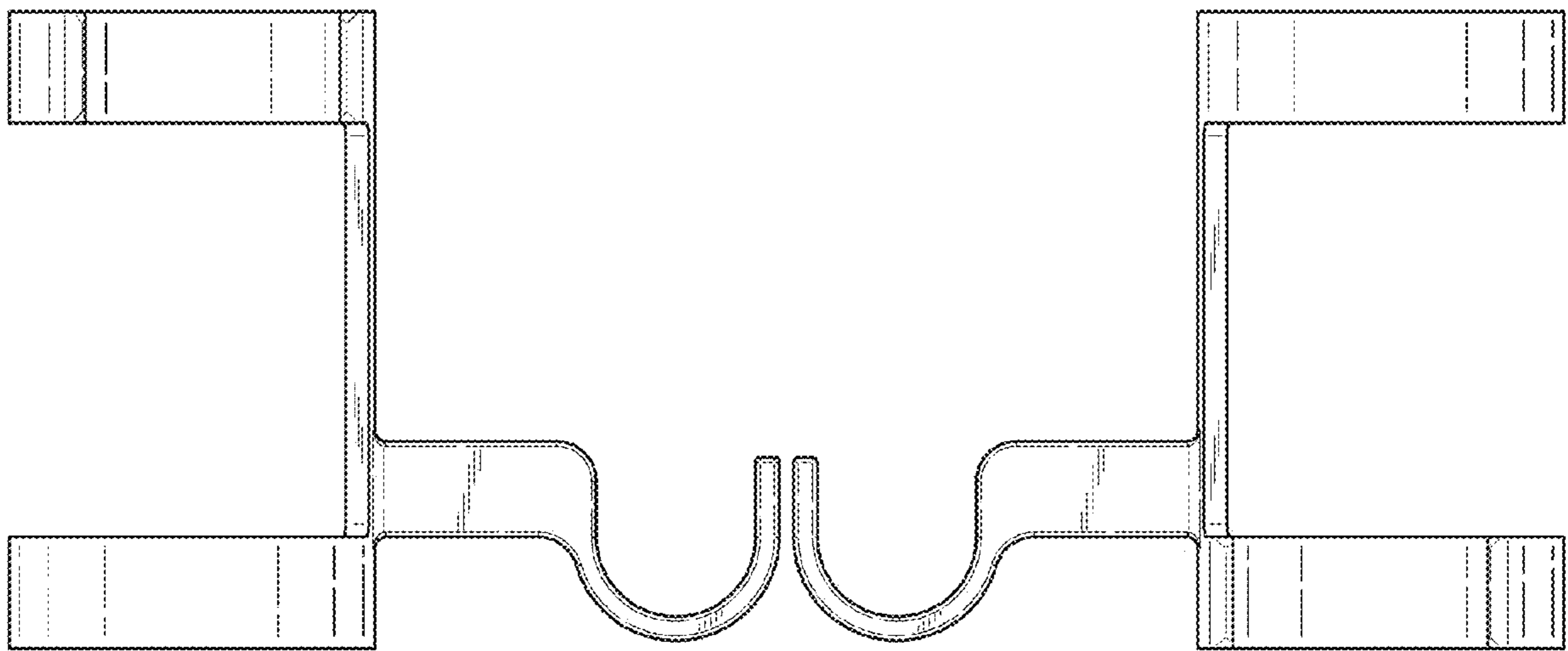


FIG. 5

FIG. 6

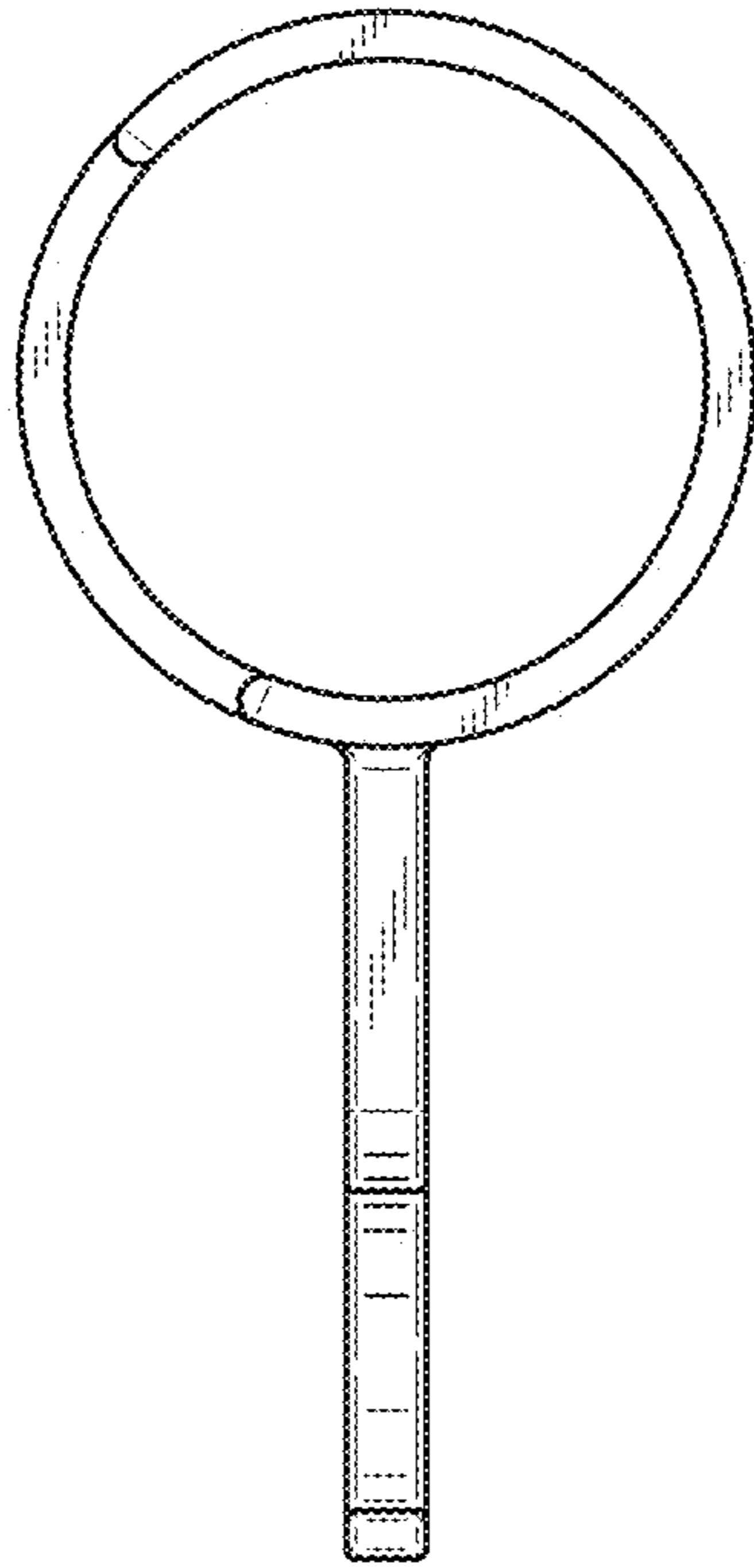


FIG. 7

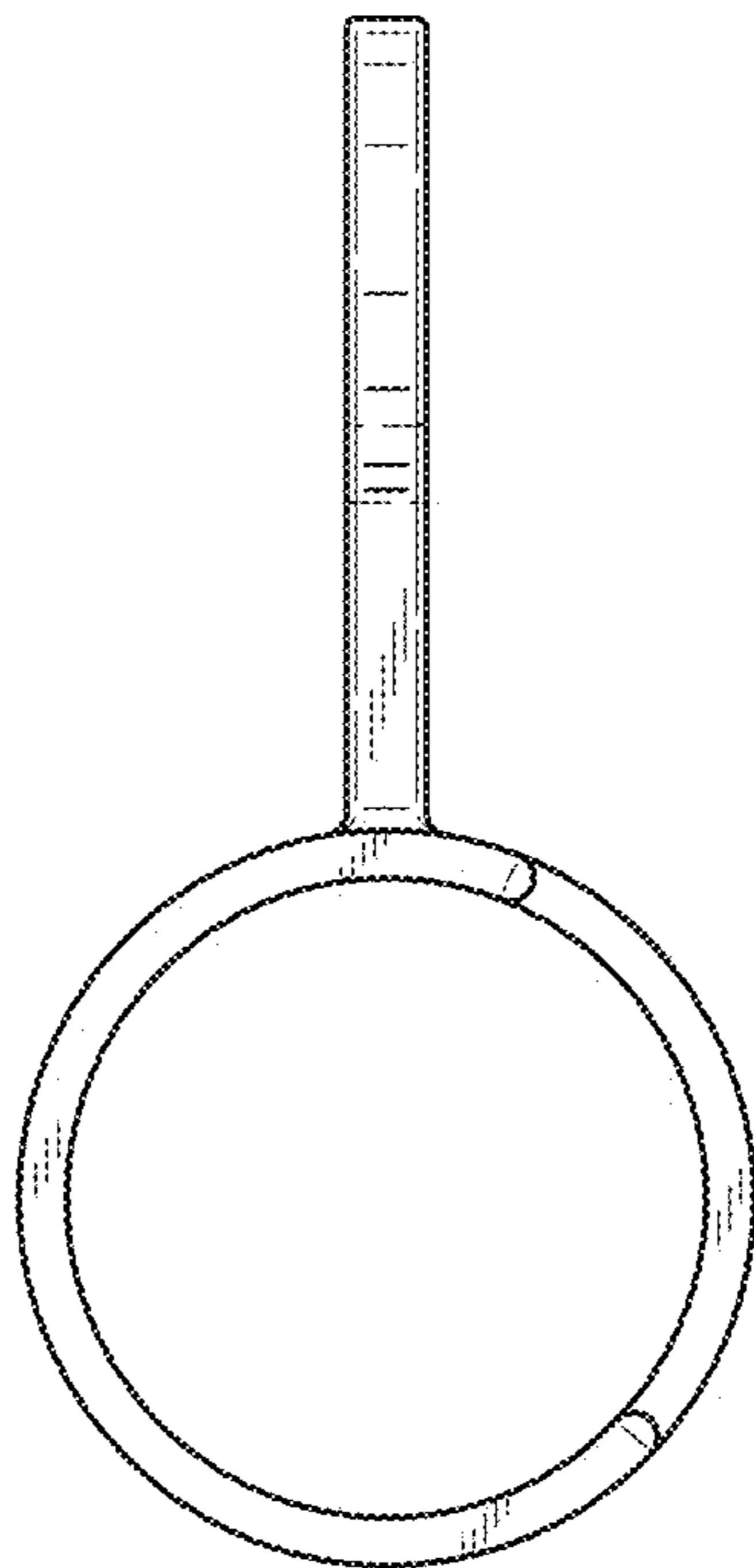


FIG. 8