



US00D914154S

(12) **United States Design Patent**
Seum et al.

(10) **Patent No.:** **US D914,154 S**

(45) **Date of Patent:** **** Mar. 23, 2021**

(54) **FAUCET**

(71) Applicant: **Grohe AG**, Hemer (DE)

(72) Inventors: **Michael Seum**, Duesseldorf (DE);
Beguem Tomruk, Duesseldorf (DE)

(73) Assignee: **Grohe AG**, Hemer (DE)

(**) Term: **15 Years**

(21) Appl. No.: **29/689,102**

(22) Filed: **Apr. 26, 2019**

(30) **Foreign Application Priority Data**

Oct. 26, 2018 (EM) 005809282-0012

(51) **LOC (13) Cl.** **23-01**

(52) **U.S. Cl.**
USPC **D23/242**

(58) **Field of Classification Search**
USPC D23/238, 239, 240, 241, 242, 243, 249,
D23/255, 256, 257; D6/524
CPC E03C 1/04; E03C 1/0401; E03C 1/0402;
E03C 1/0404; E03C 1/0405; E03C
1/0412; Y10T 137/9464
See application file for complete search history.

(56) **References Cited**

U.S. PATENT DOCUMENTS

D513,635 S * 1/2006 Haug D23/238
D529,995 S * 10/2006 Smith D23/238

D636,065 S * 4/2011 Schoenherr D23/255
D791,919 S * 7/2017 Schoenherr D23/238
D810,238 S * 2/2018 Schoenherr D23/238
D828,515 S * 9/2018 Seum D23/242
D834,683 S * 11/2018 Schoenherr D23/238
D866,715 S * 11/2019 Hoogendoorn D23/238

* cited by examiner

Primary Examiner — John A Voytek

(74) *Attorney, Agent, or Firm* — Muncy, Geissler, Olds & Lowe, P.C.

(57) **CLAIM**

The ornamental design for a faucet, as shown and described.

DESCRIPTION

FIG. 1 is a front perspective view of a faucet according to the present invention.

FIG. 2 is a front view of the faucet of FIG. 1.

FIG. 3 is a rear view of the faucet of FIG. 1.

FIG. 4 is a left side view of the faucet of FIG. 1.

FIG. 5 is a right side view of the faucet of FIG. 1.

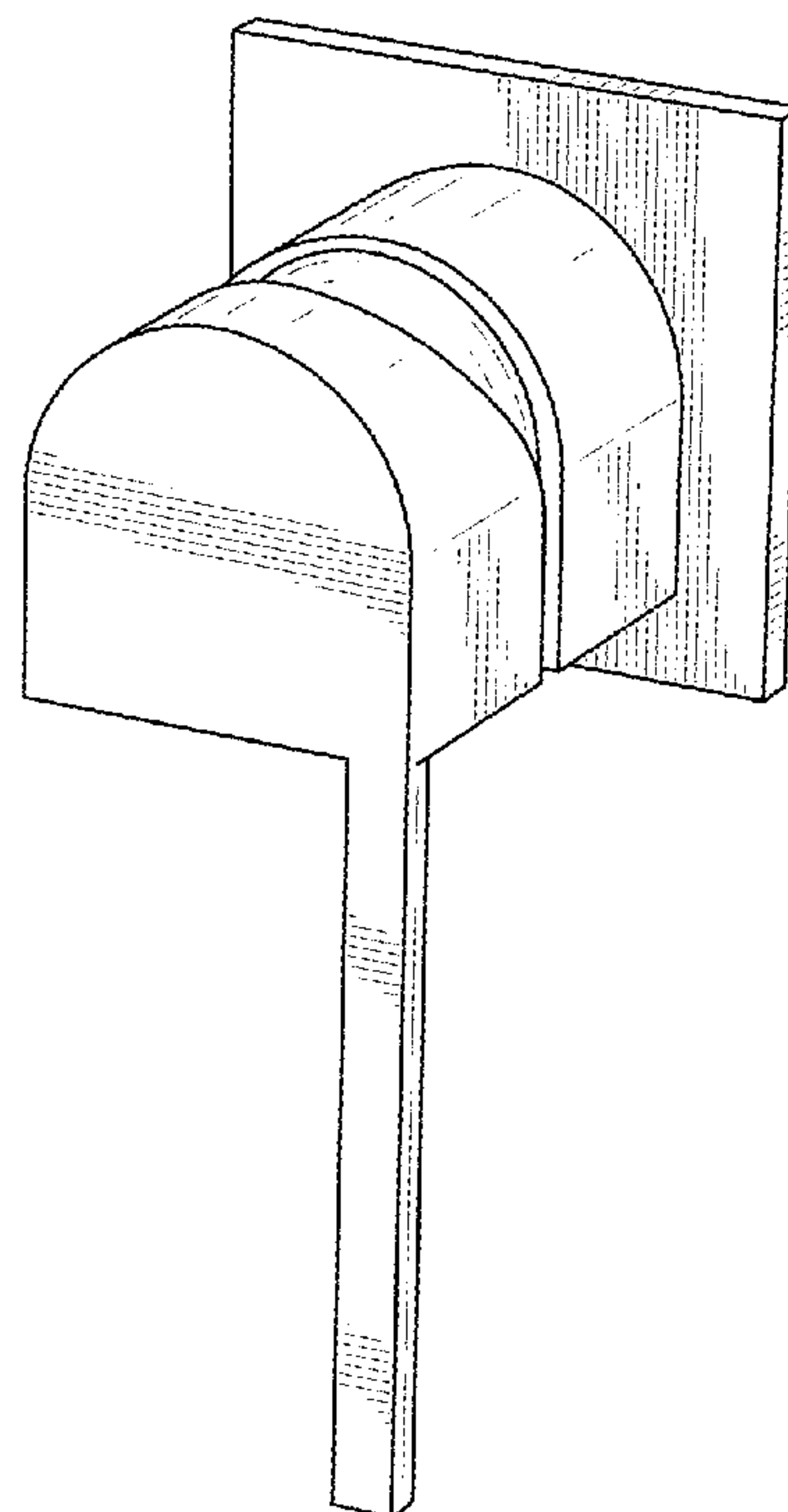
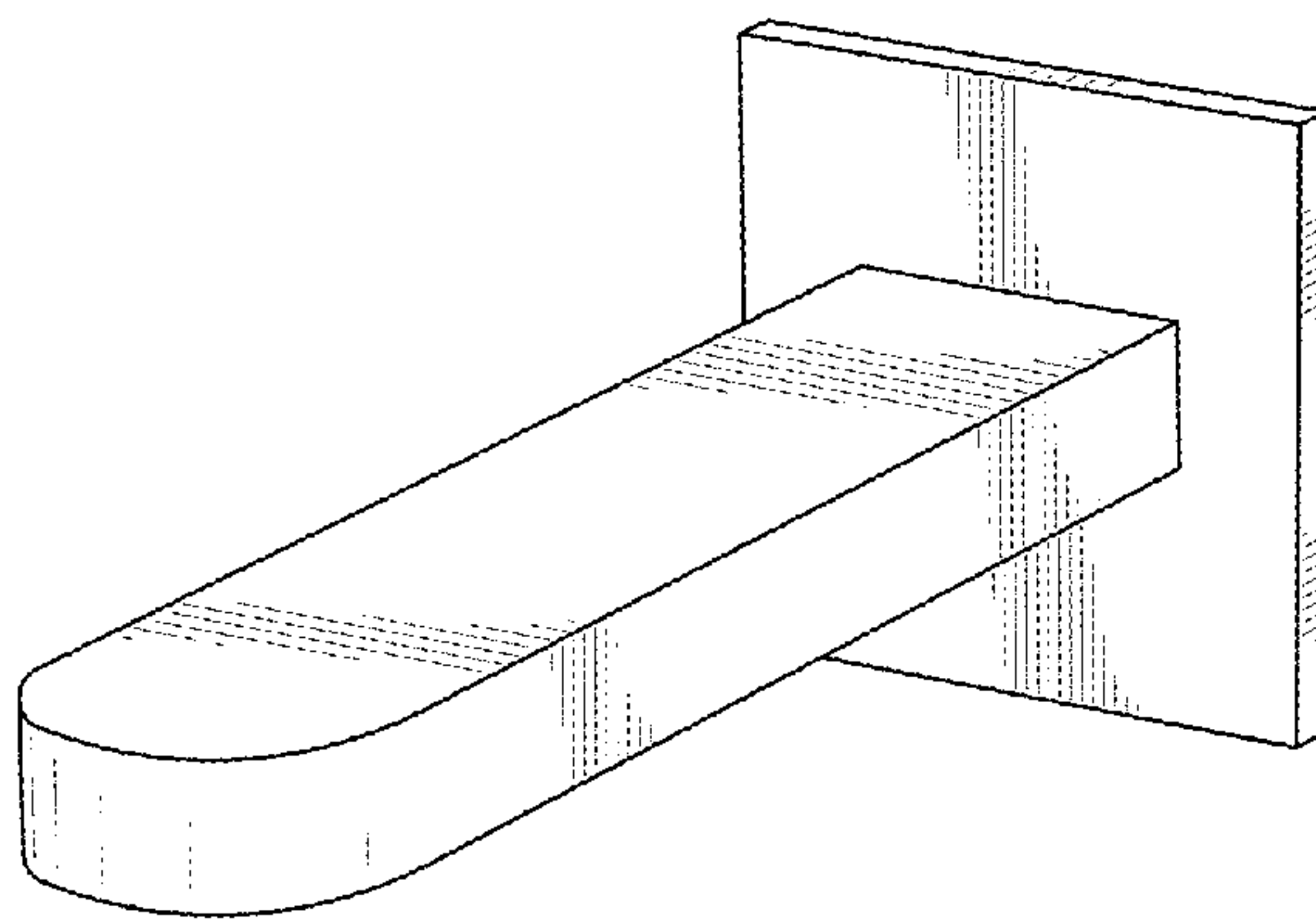
FIG. 6 is a top view of the faucet of FIG. 1; and,

FIG. 7 is a bottom view of the faucet of FIG. 1.

The broken lines illustrate portions of the faucet that form no part of the claimed design.

The location of the spout relative to the handle of the assembly is not claimed.

1 Claim, 7 Drawing Sheets



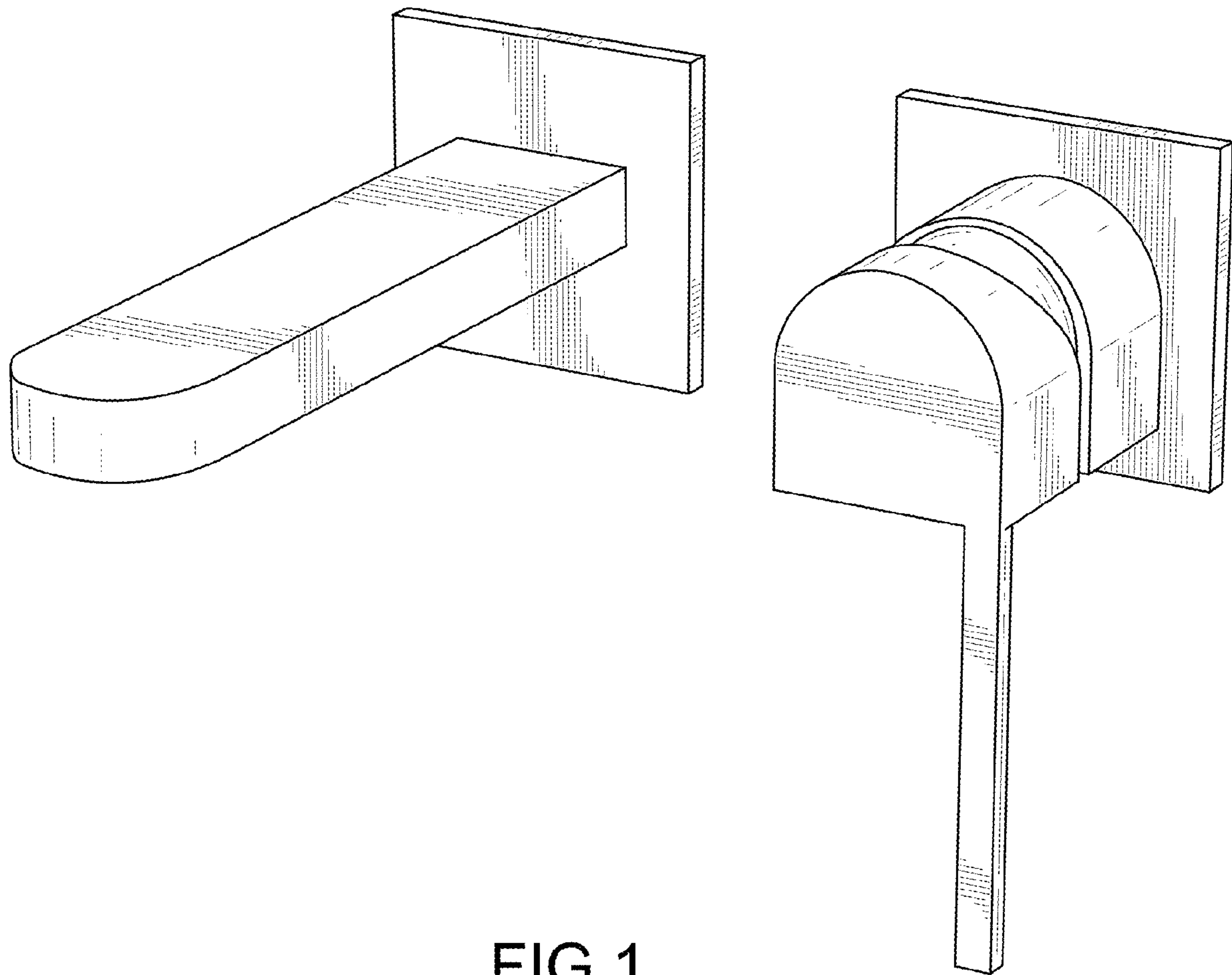


FIG. 1

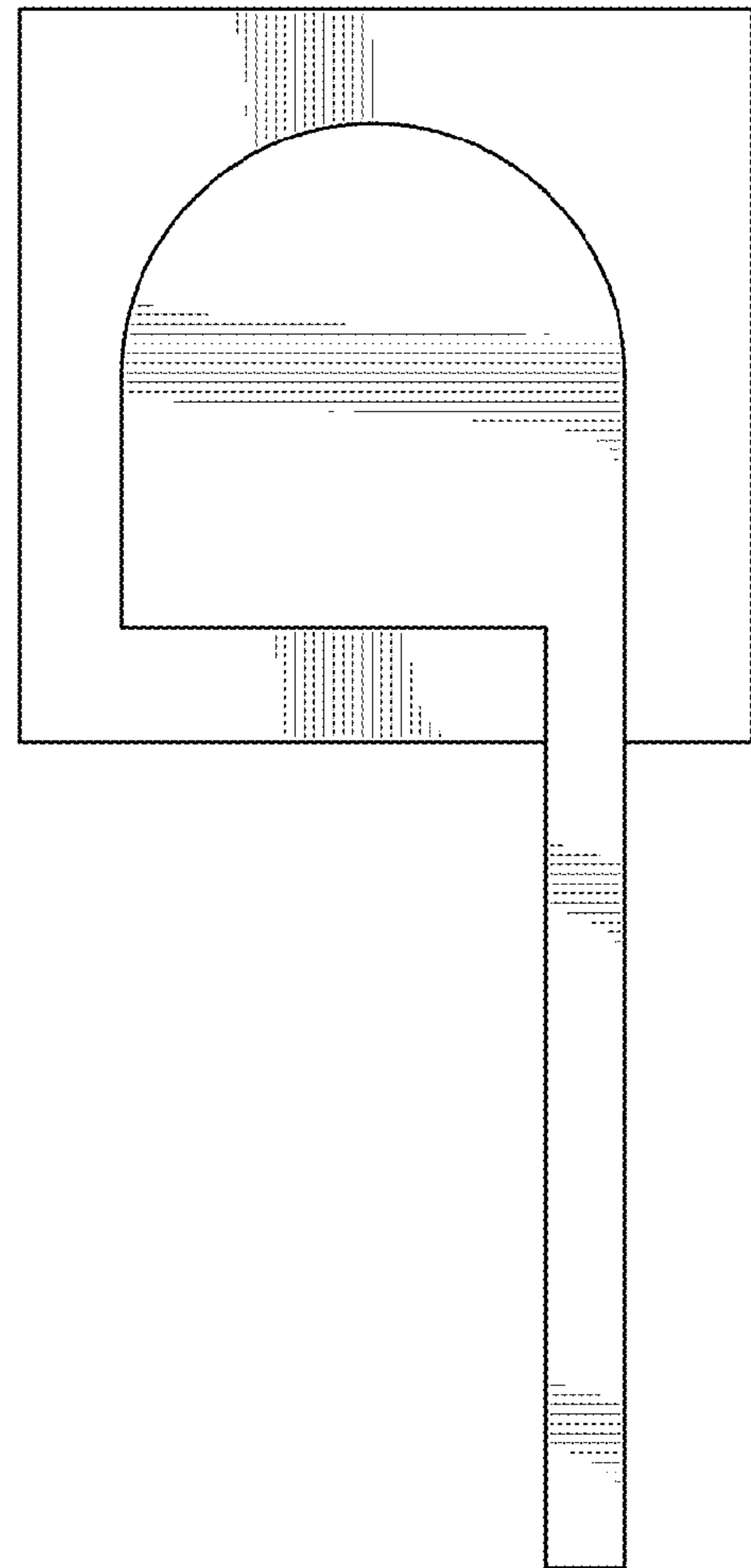
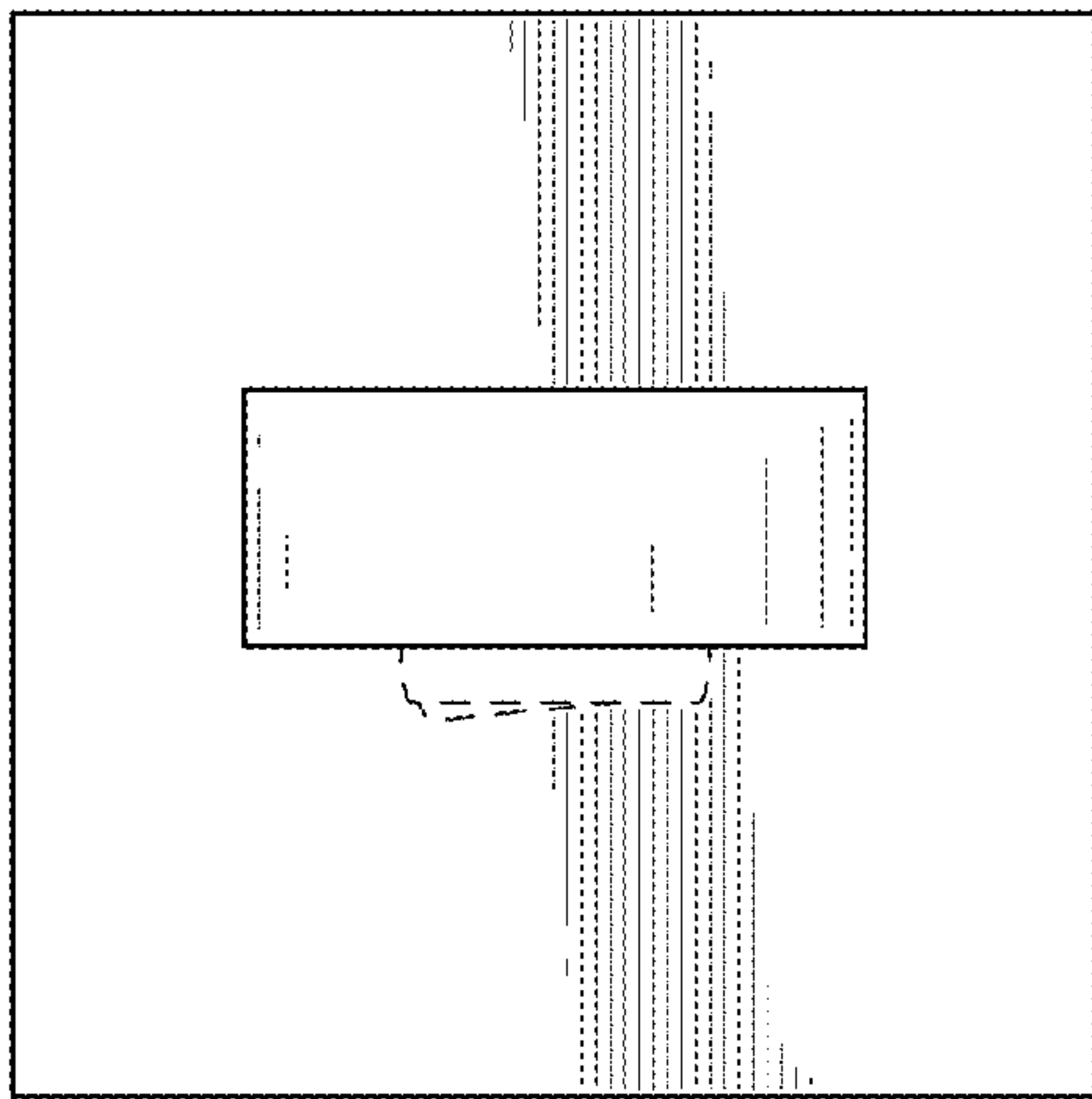


FIG.2

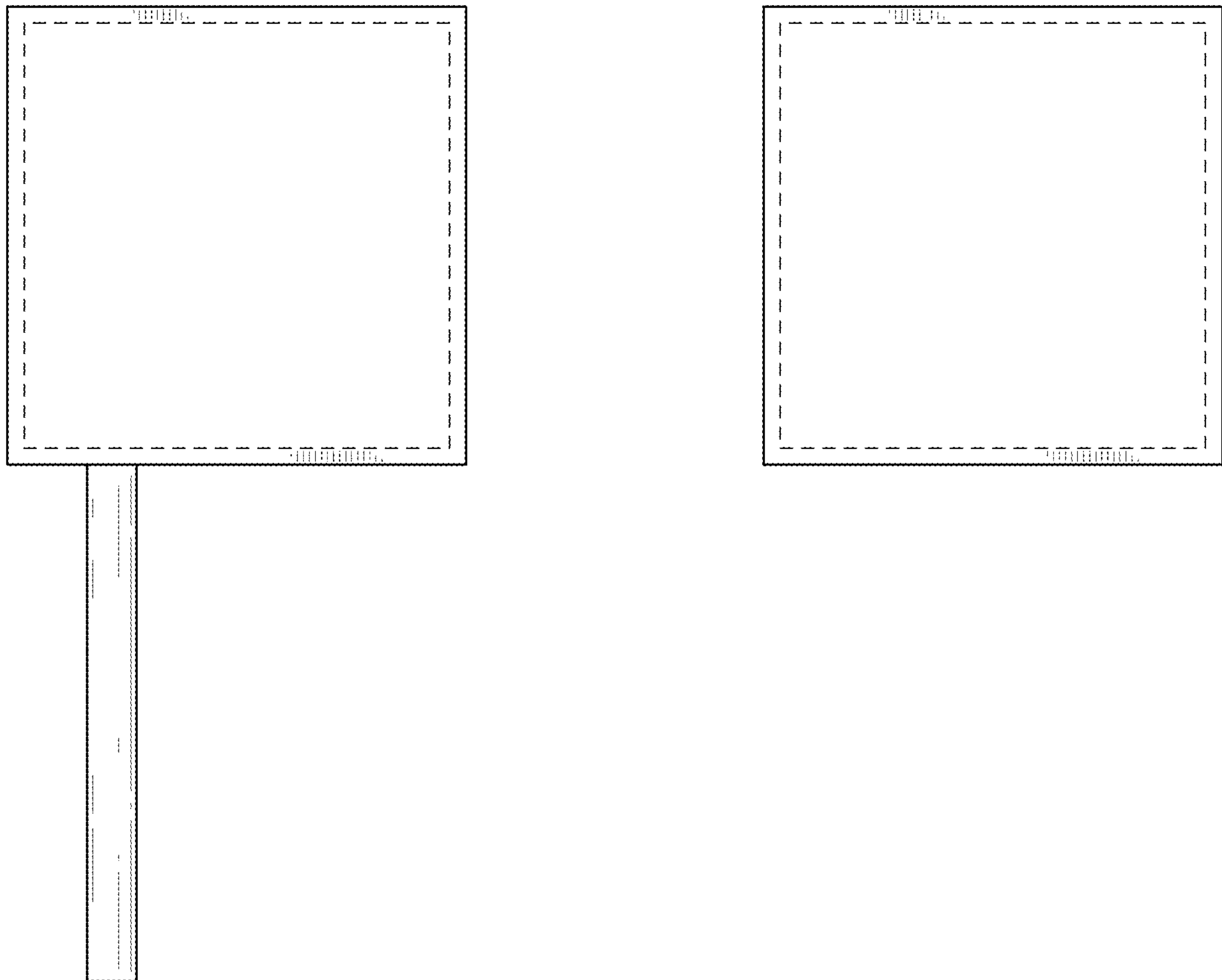


FIG.3

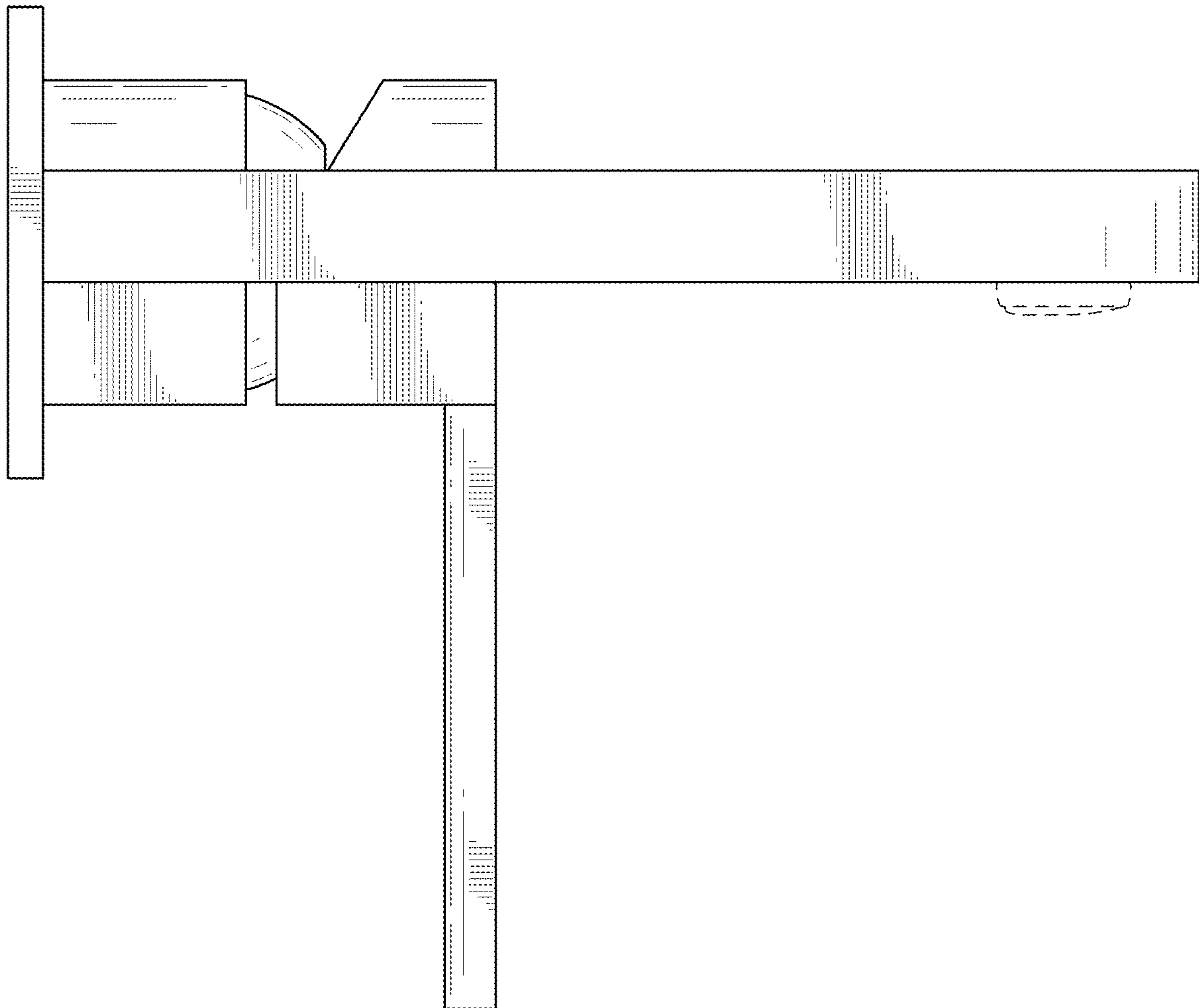


FIG. 4

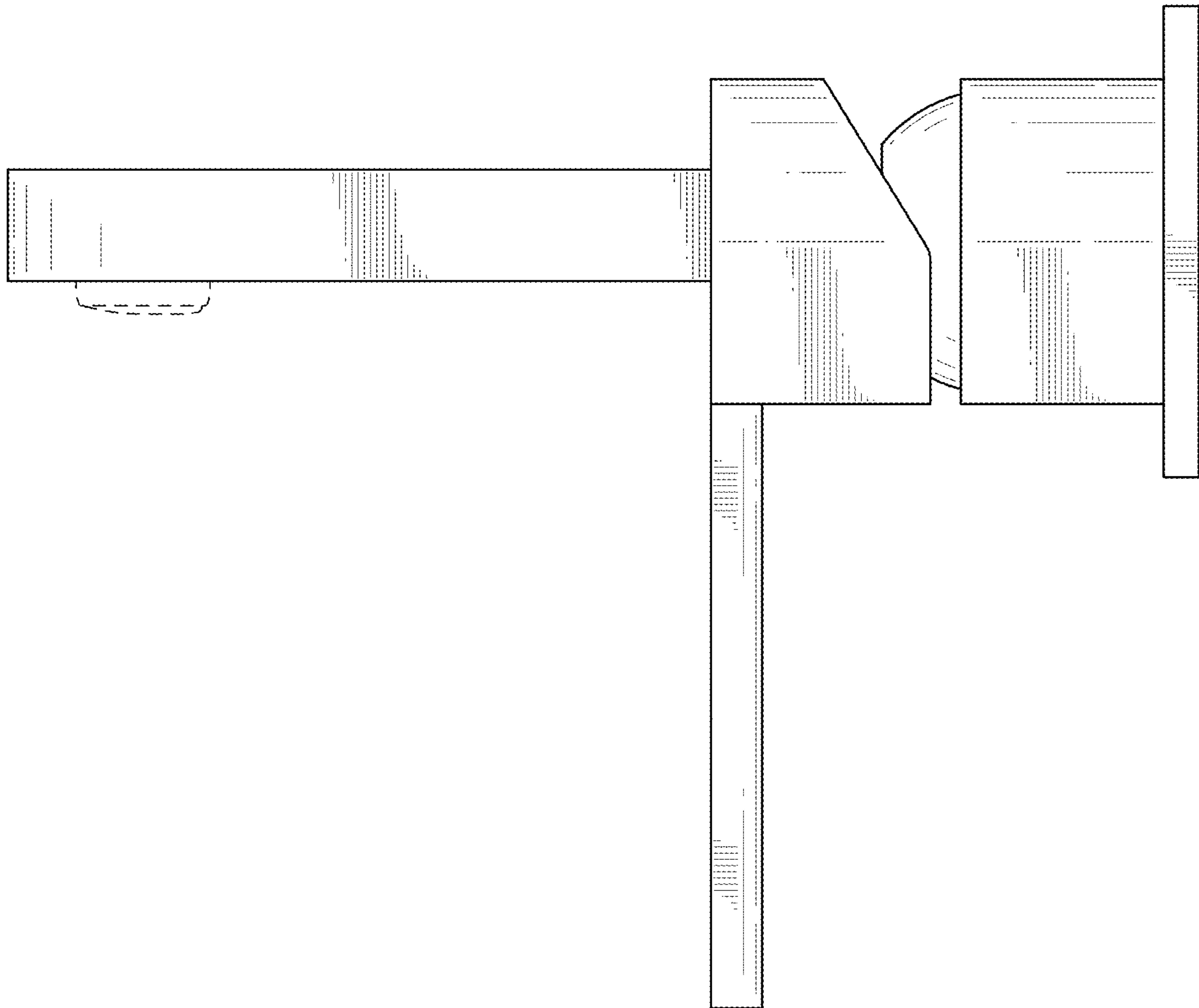


FIG.5

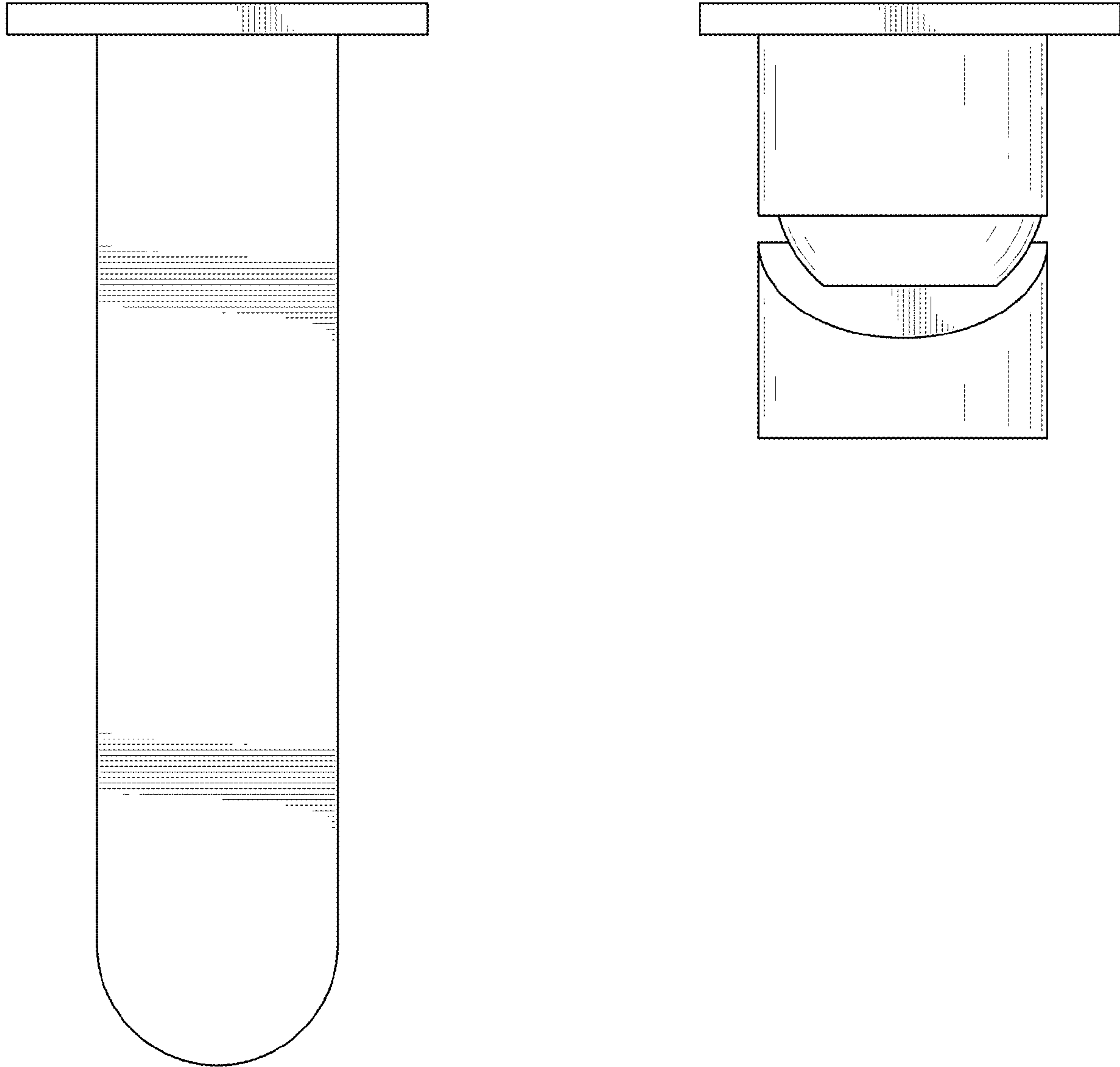


FIG.6

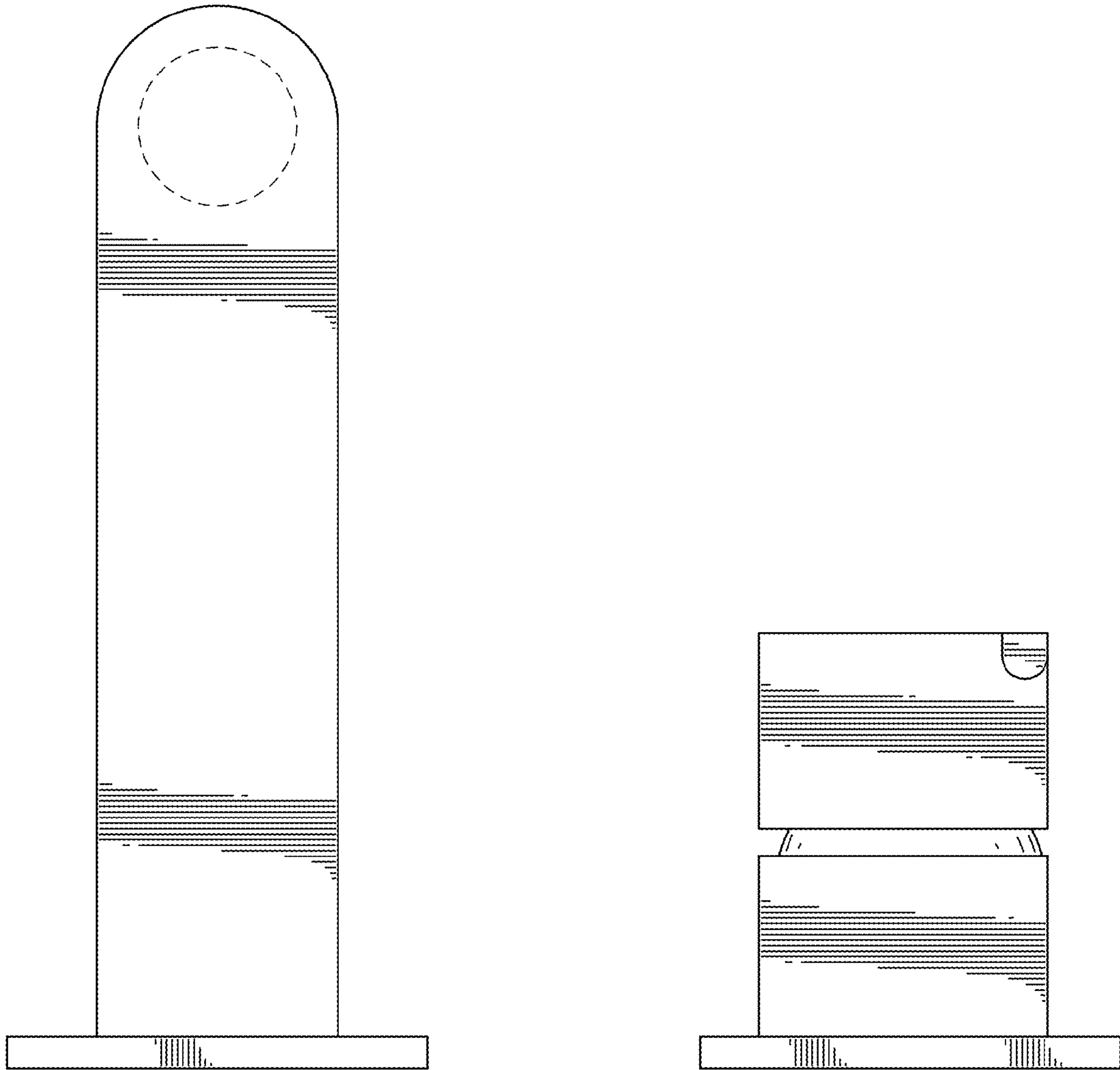


FIG.7