



US00D914153S

(12) **United States Design Patent**
Seum et al.

(10) **Patent No.:** **US D914,153 S**

(45) **Date of Patent:** **** Mar. 23, 2021**

(54) **FAUCET**

(71) Applicant: **Grohe AG**, Hemer (DE)

(72) Inventors: **Michael Seum**, Duesseldorf (DE);
Beguem Tomruk, Duesseldorf (DE)

(73) Assignee: **Grohe AG**, Hemer (DE)

(**) Term: **15 Years**

(21) Appl. No.: **29/689,115**

(22) Filed: **Apr. 26, 2019**

(30) **Foreign Application Priority Data**

Oct. 26, 2018 (EM) 005809282-0027

(51) **LOC (13) Cl.** **23-01**

(52) **U.S. Cl.**
USPC **D23/241**

(58) **Field of Classification Search**
USPC D23/238, 239, 240, 241, 242, 243, 249,
D23/255, 256, 257; D6/524
CPC E03C 1/04; E03C 1/0401; E03C 1/0402;
E03C 1/0404; E03C 1/0405; E03C
1/0412; Y10T 137/9464
See application file for complete search history.

(56) **References Cited**

U.S. PATENT DOCUMENTS

D510,613 S * 10/2005 Lammel D23/241
D511,815 S * 11/2005 Egee D23/241

D531,270 S * 10/2006 Smith D23/241
D583,440 S * 12/2008 Spangler D23/241
D601,664 S * 10/2009 Bailey D23/241
D693,439 S * 11/2013 Shieh D23/241
D696,750 S * 12/2013 Standefer D23/242
D792,560 S * 7/2017 Kulig D23/249
D823,990 S * 7/2018 Downey D23/242
D827,784 S * 9/2018 Soulier D23/255
D837,942 S * 1/2019 Soulier D23/242

* cited by examiner

Primary Examiner — John A Voytek

(74) *Attorney, Agent, or Firm* — Muncy, Geissler, Olds & Lowe, P.C.

(57) **CLAIM**

The ornamental design for a faucet, as shown and described.

DESCRIPTION

FIG. 1 is a front perspective view of a faucet according to the present invention.

FIG. 2 is a front view of the faucet of FIG. 1.

FIG. 3 is a rear view of the faucet of FIG. 1.

FIG. 4 is a left side view of the faucet of FIG. 1.

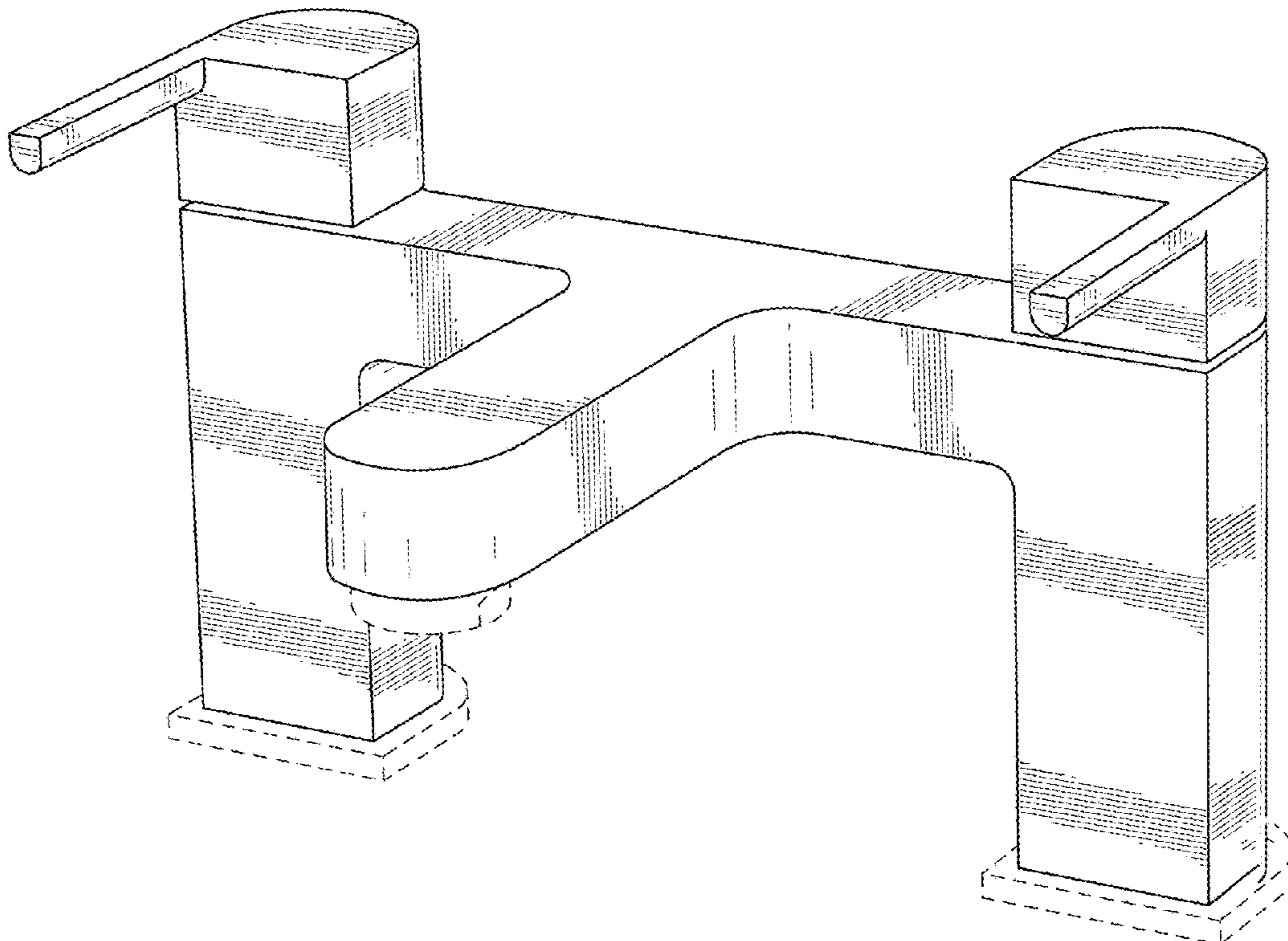
FIG. 5 is a right side view of the faucet of FIG. 1.

FIG. 6 is a top view of the faucet of FIG. 1; and,

FIG. 7 is a bottom view of the faucet of FIG. 1.

The broken lines illustrate portions of the faucet that form no part of the claimed design.

1 Claim, 7 Drawing Sheets



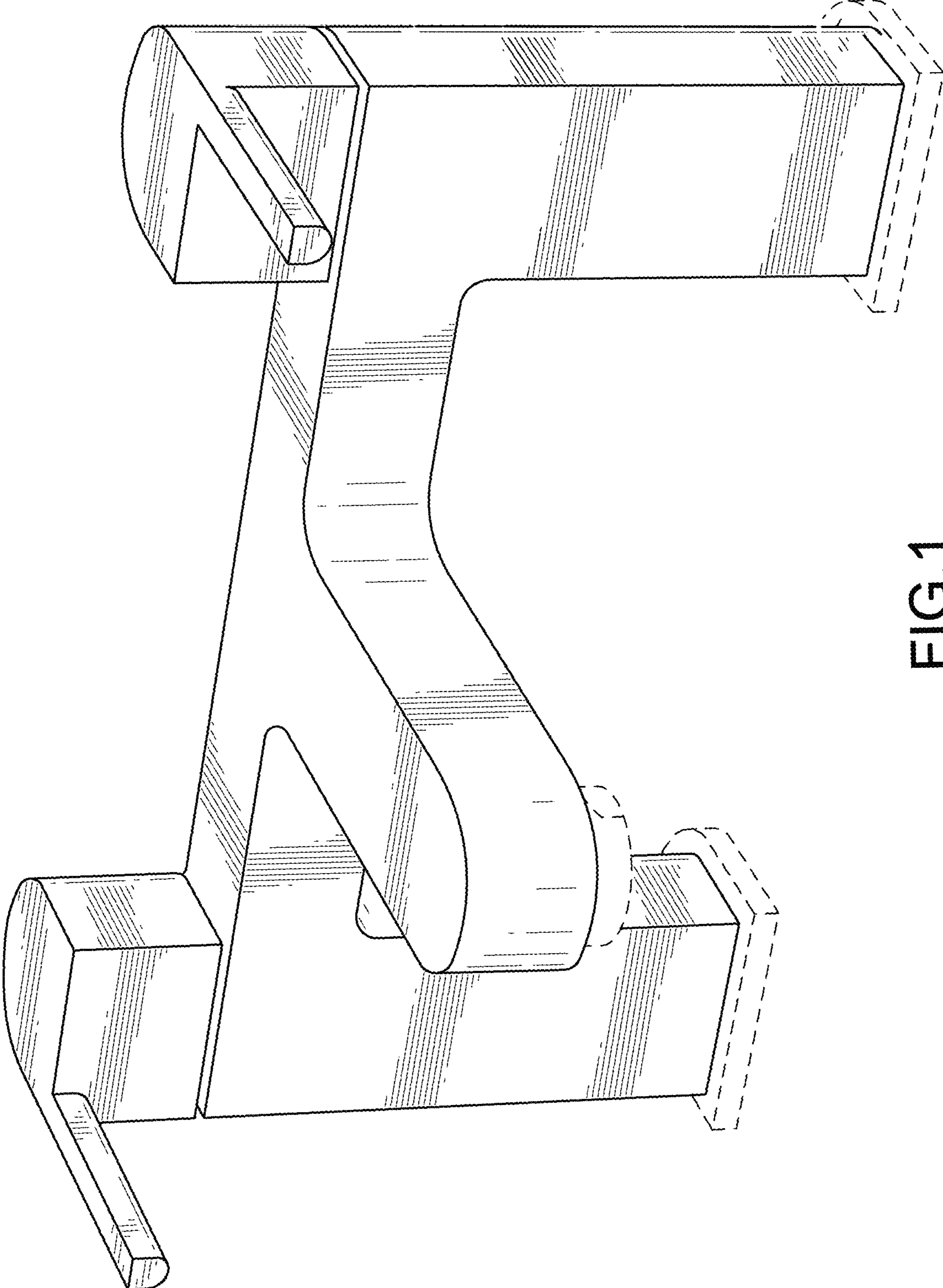


FIG.1

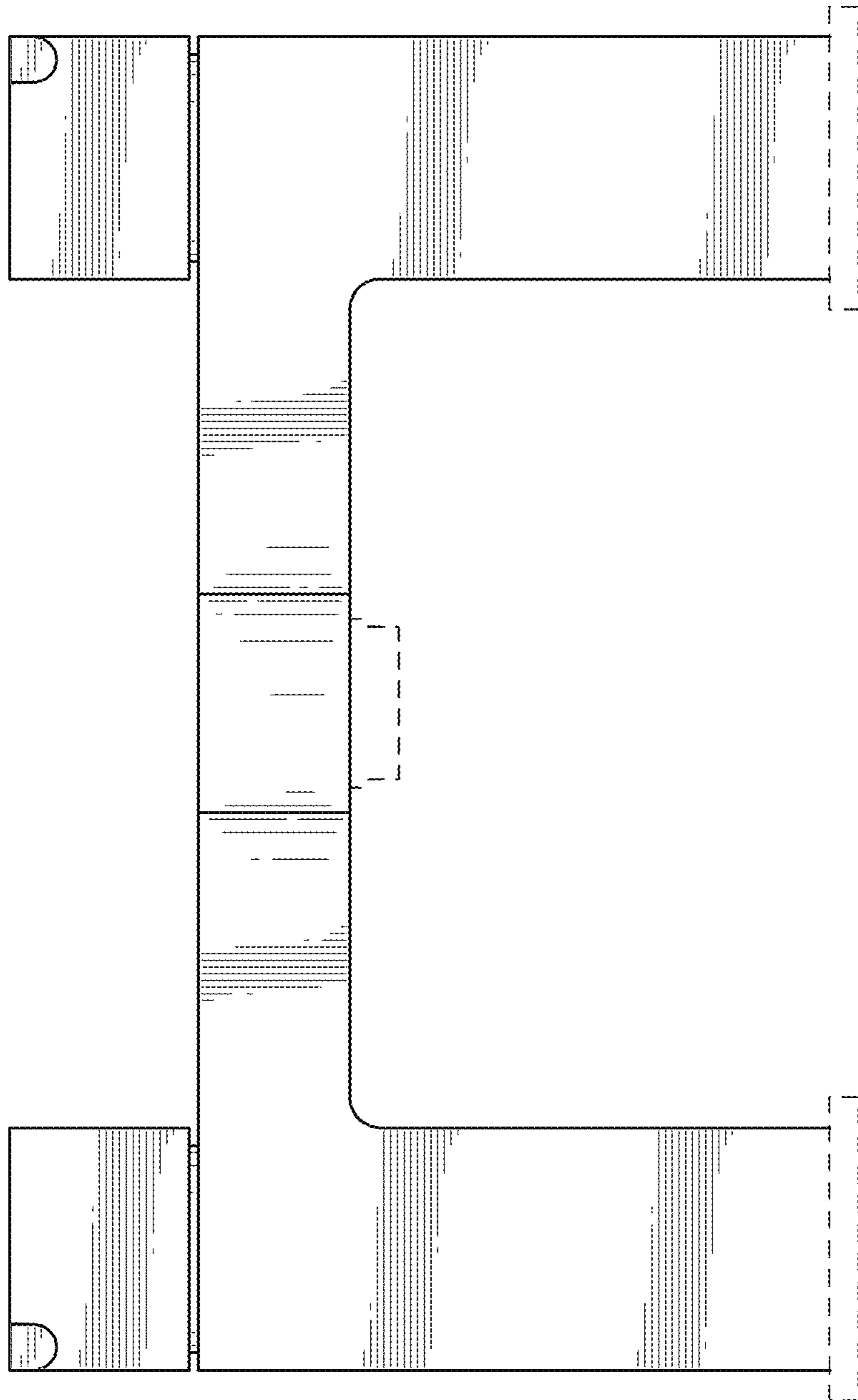


FIG.2

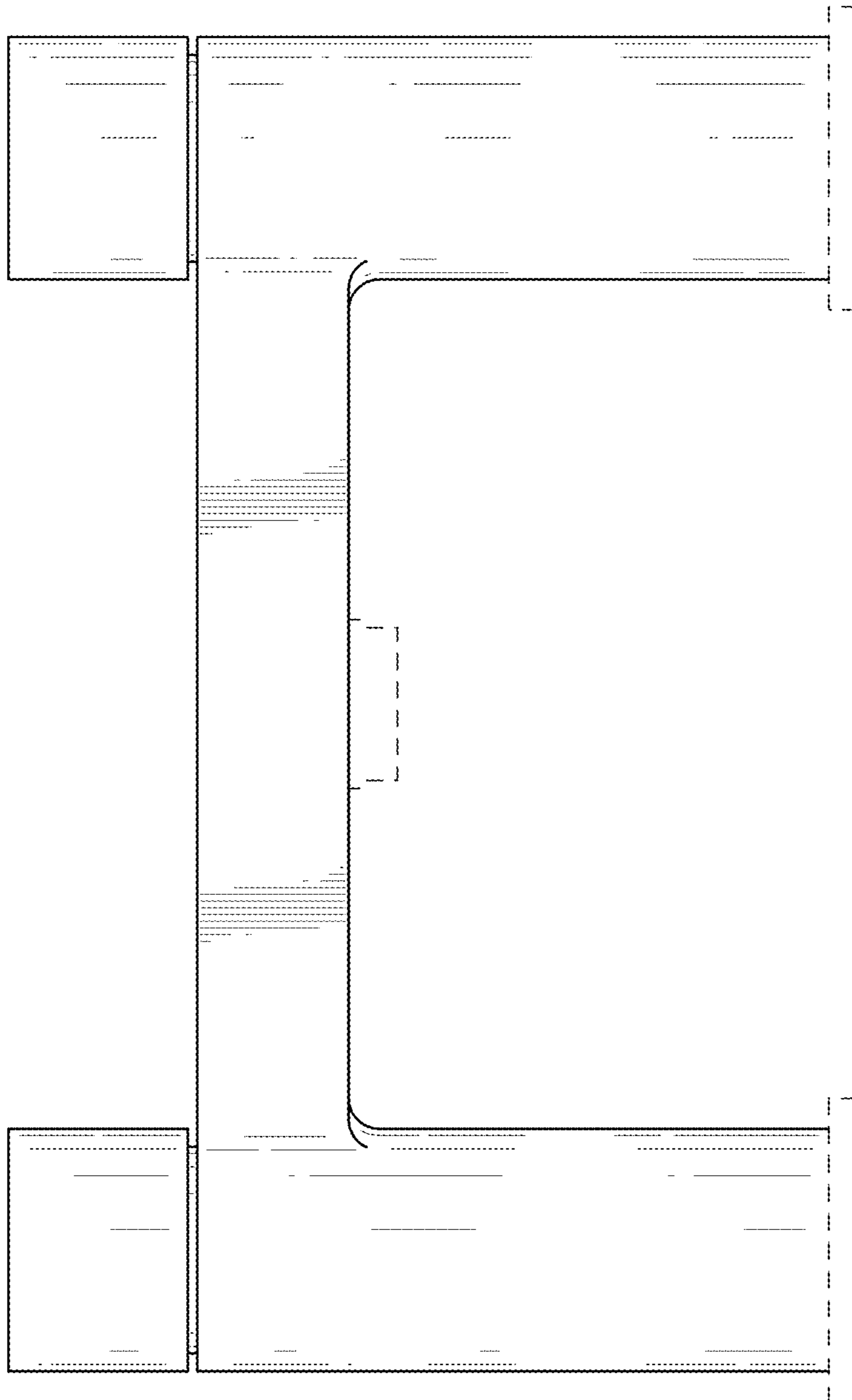


FIG.3

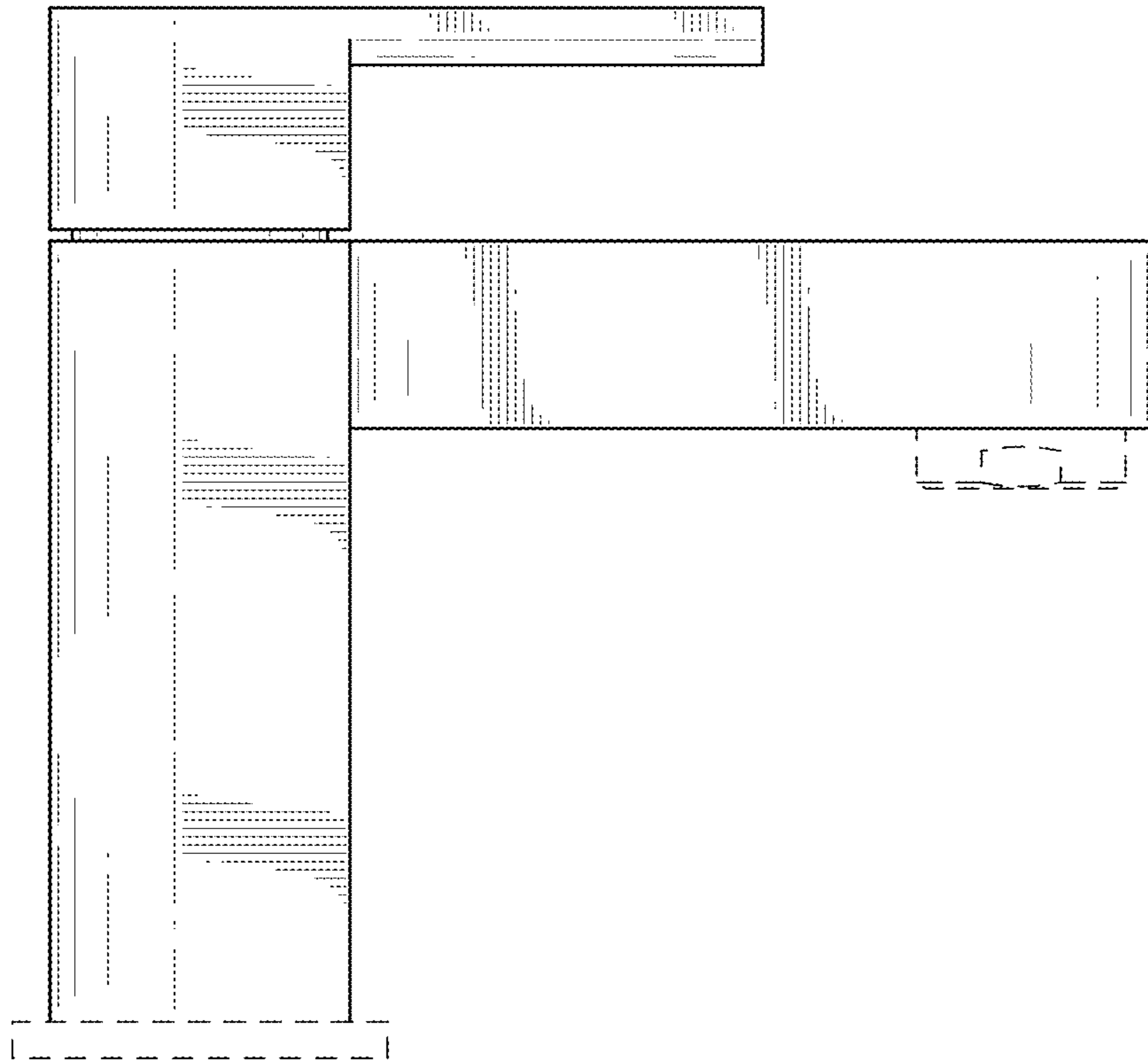


FIG.4

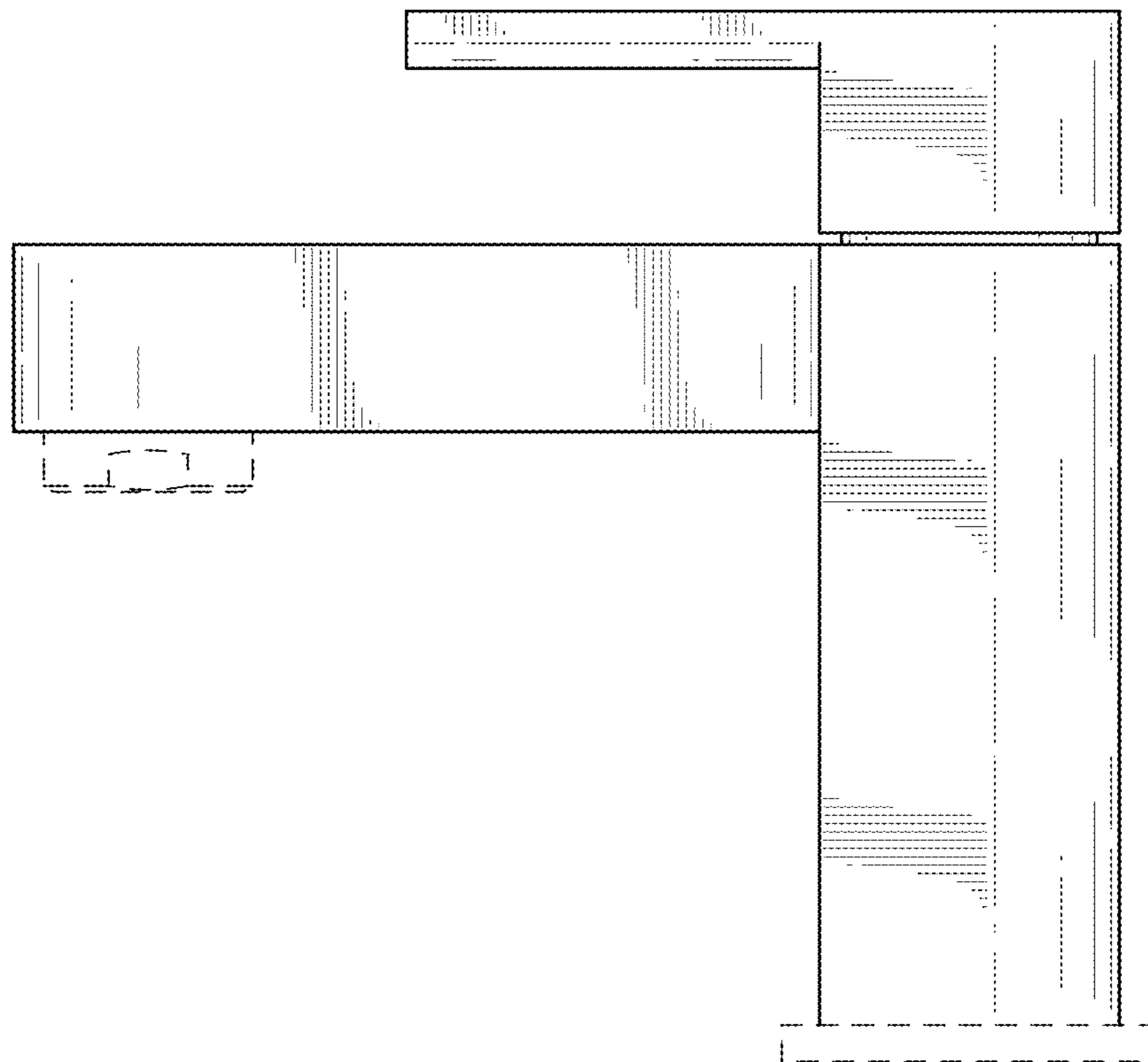


FIG.5

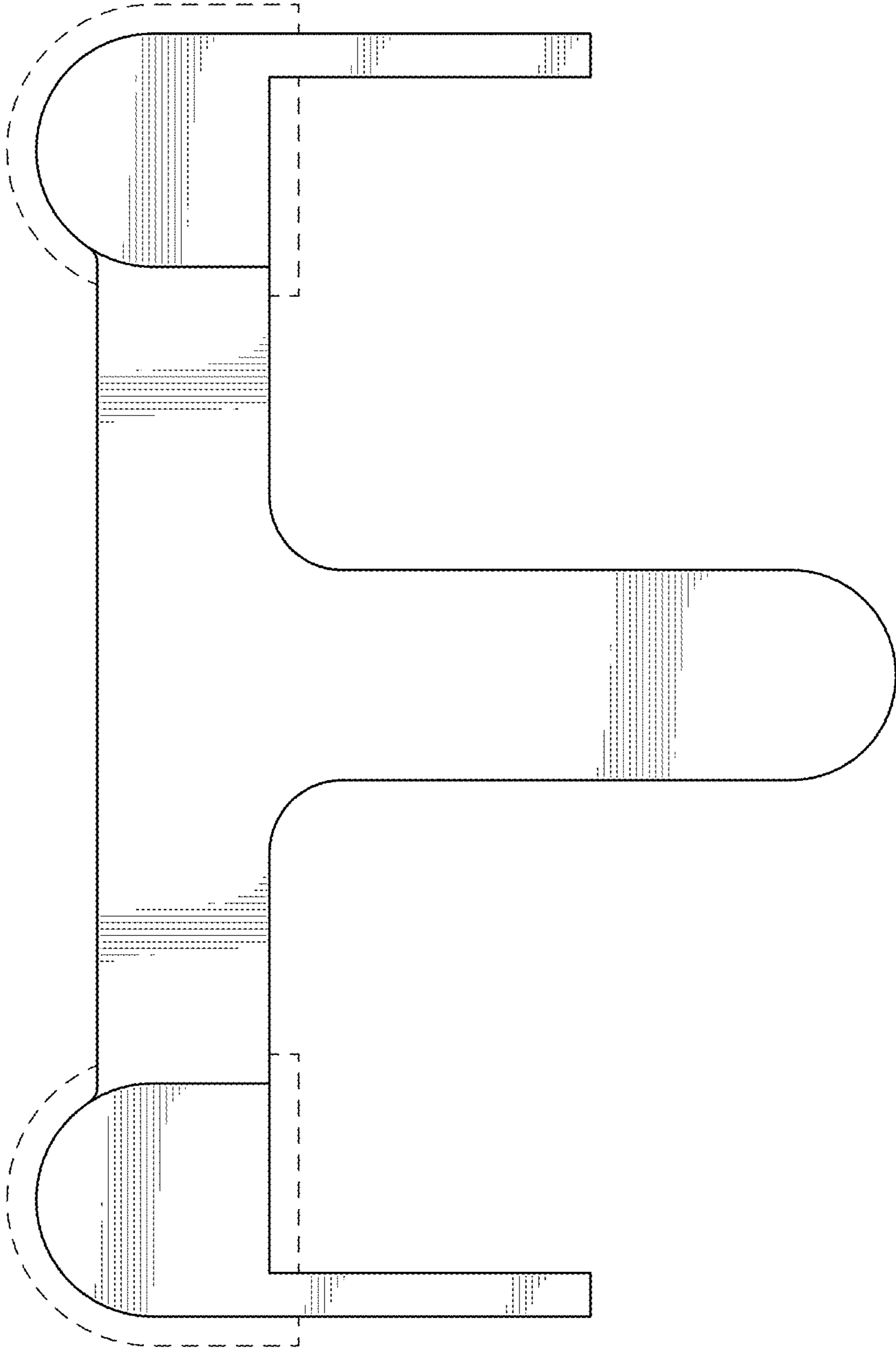


FIG.6

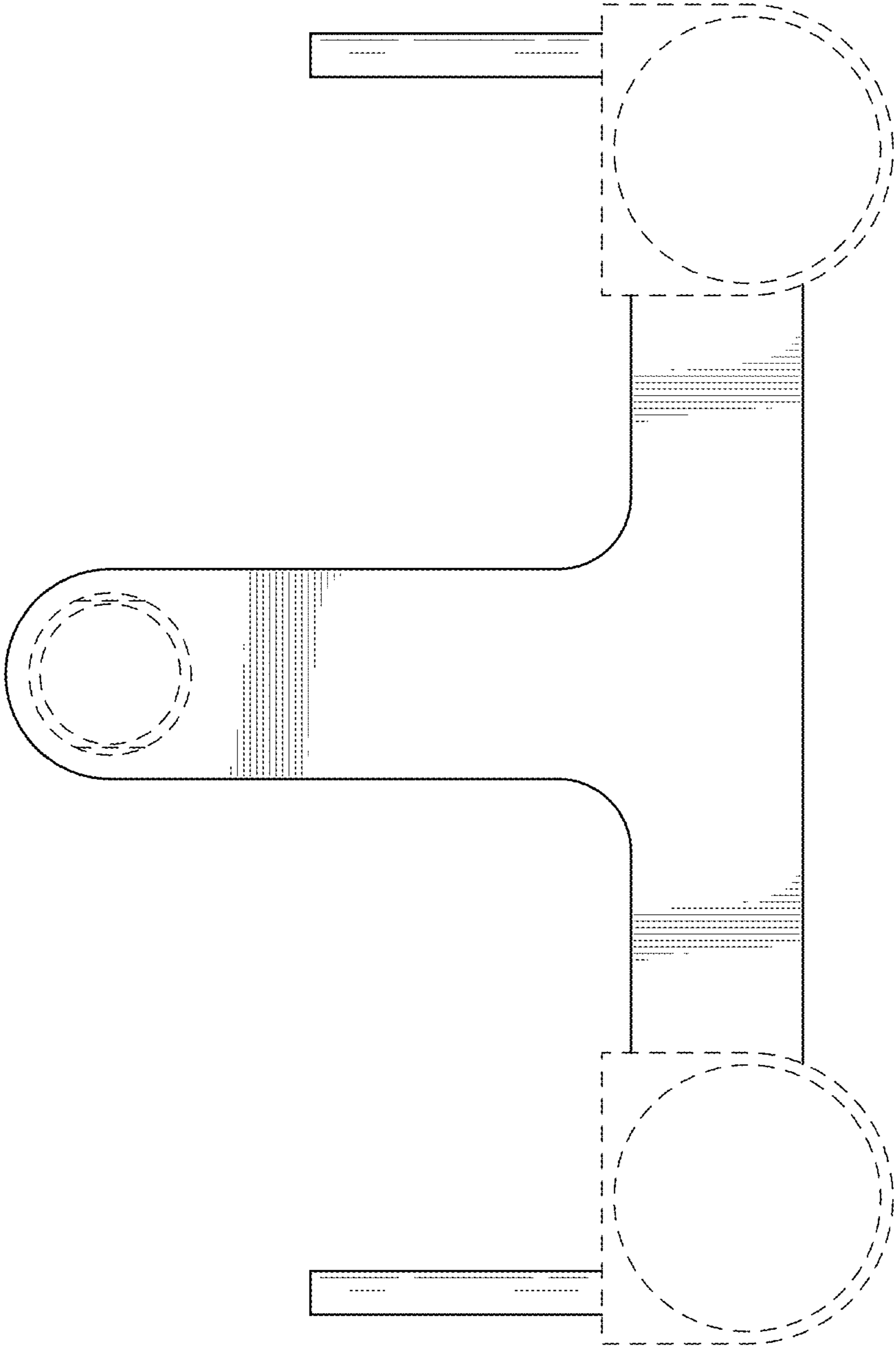


FIG.7