



US00D914152S

(12) **United States Design Patent** (10) **Patent No.:** **US D914,152 S**  
**Ando et al.** (45) **Date of Patent:** **\*\* Mar. 23, 2021**

(54) **COMBINATION FAUCET AND SHOWER HEAD**

(71) Applicant: **LIXIL Corporation**, Tokyo (JP)

(72) Inventors: **Yoshihiko Ando**, Tokyo (JP);  
**Youichirou Tomioka**, Tokyo (JP)

(73) Assignee: **LIXIL Corporation**, Tokyo (JP)

(\*\*) Term: **15 Years**

(21) Appl. No.: **29/699,762**

(22) Filed: **Jul. 29, 2019**

(30) **Foreign Application Priority Data**

Jan. 31, 2019 (JP) ..... 2019-001790

(51) **LOC (13) Cl.** ..... **23-01**

(52) **U.S. Cl.**  
USPC ..... **D23/239**

(58) **Field of Classification Search**  
USPC ..... D23/238, 239, 240, 241, 242, 243, 249,  
D23/250, 255, 256, 257; D6/524  
CPC ..... E03C 1/04; E03C 1/0401; E03C 1/0402;  
E03C 1/0404; E03C 1/0405; E03C  
1/0412; Y10T 137/9464  
See application file for complete search history.

(56) **References Cited**

U.S. PATENT DOCUMENTS

D583,907 S \* 12/2008 Citterio ..... D23/238  
D615,623 S \* 5/2010 Krause ..... D23/239  
D692,989 S \* 11/2013 Flowers ..... D23/238  
D734,835 S \* 7/2015 Sieger ..... D23/239  
D734,836 S \* 7/2015 Flowers ..... D23/239

D790,664 S \* 6/2017 Eads ..... D23/238  
D790,666 S \* 6/2017 Lord ..... D23/239  
D810,239 S \* 2/2018 Schoenherr ..... D23/238  
D857,171 S \* 8/2019 Bahler ..... D23/239  
D858,708 S \* 9/2019 Soulier ..... D23/238  
D867,533 S \* 11/2019 Garland ..... D23/238  
2020/0217052 A1 \* 7/2020 Li ..... E03C 1/0401

**OTHER PUBLICATIONS**

INAX Intelligent Control Shower System [ Aug. 13, 2020] found online [Aug. 13, 2020]—<https://www.inax.com/products/s600-line/>.\*

\* cited by examiner

*Primary Examiner* — John A Voytek

(74) *Attorney, Agent, or Firm* — Sughrue Mion, PLLC

(57) **CLAIM**

The ornamental design for a combination faucet and shower head, as shown and described.

**DESCRIPTION**

FIG. 1 is a perspective view of a combination faucet and shower head.

FIG. 2 is a top plan view thereof.

FIG. 3 is a bottom plan view thereof.

FIG. 4 is a front elevation view thereof.

FIG. 5 is a rear elevation view thereof.

FIG. 6 is a right side elevation view thereof.

FIG. 7 is a left side elevation view thereof.

FIG. 8 is an enlarged view of a part 8-8 shown in FIG. 4; and,

FIG. 9 is an enlarged view of a part 9-9 shown in FIG. 6. The part of the drawing shown in faded tone, along with the broken-line perimeter, forms no part of the claimed design.

**1 Claim, 9 Drawing Sheets**

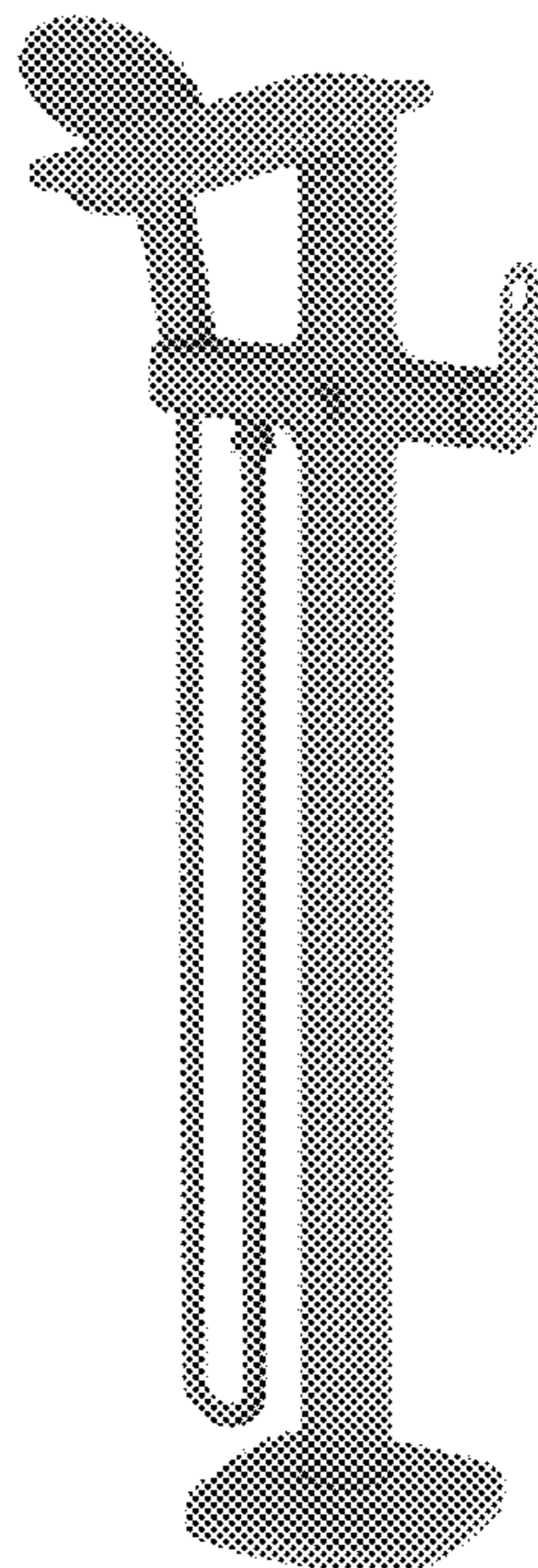


FIG. 1

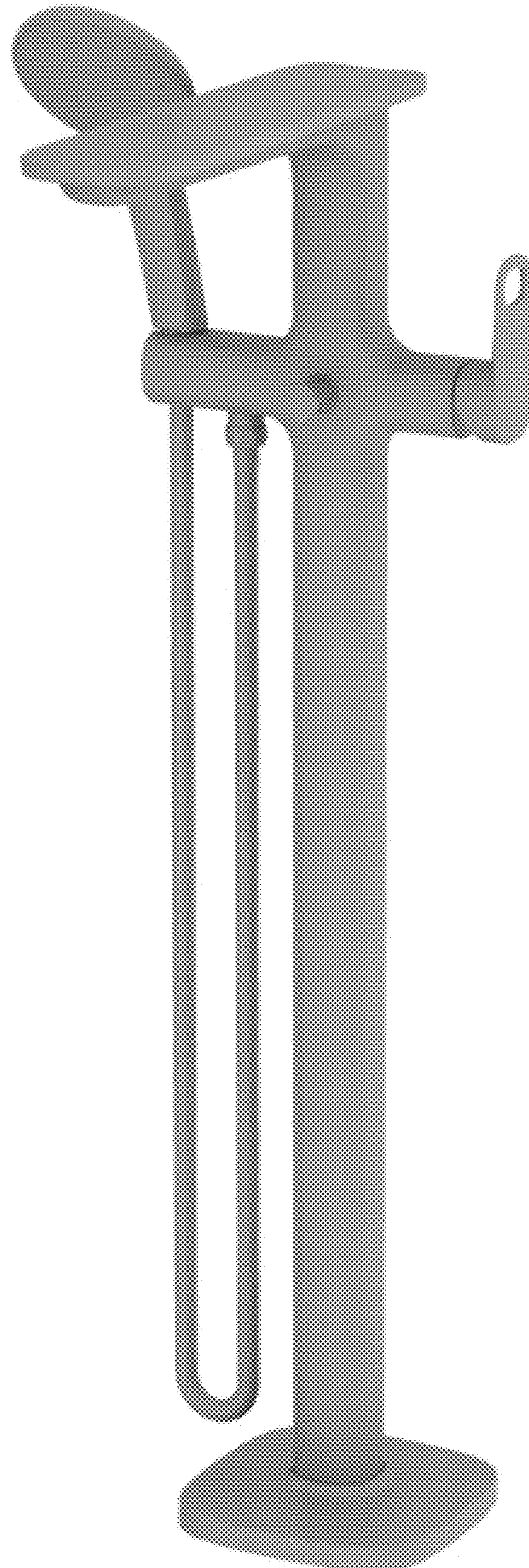


FIG. 2

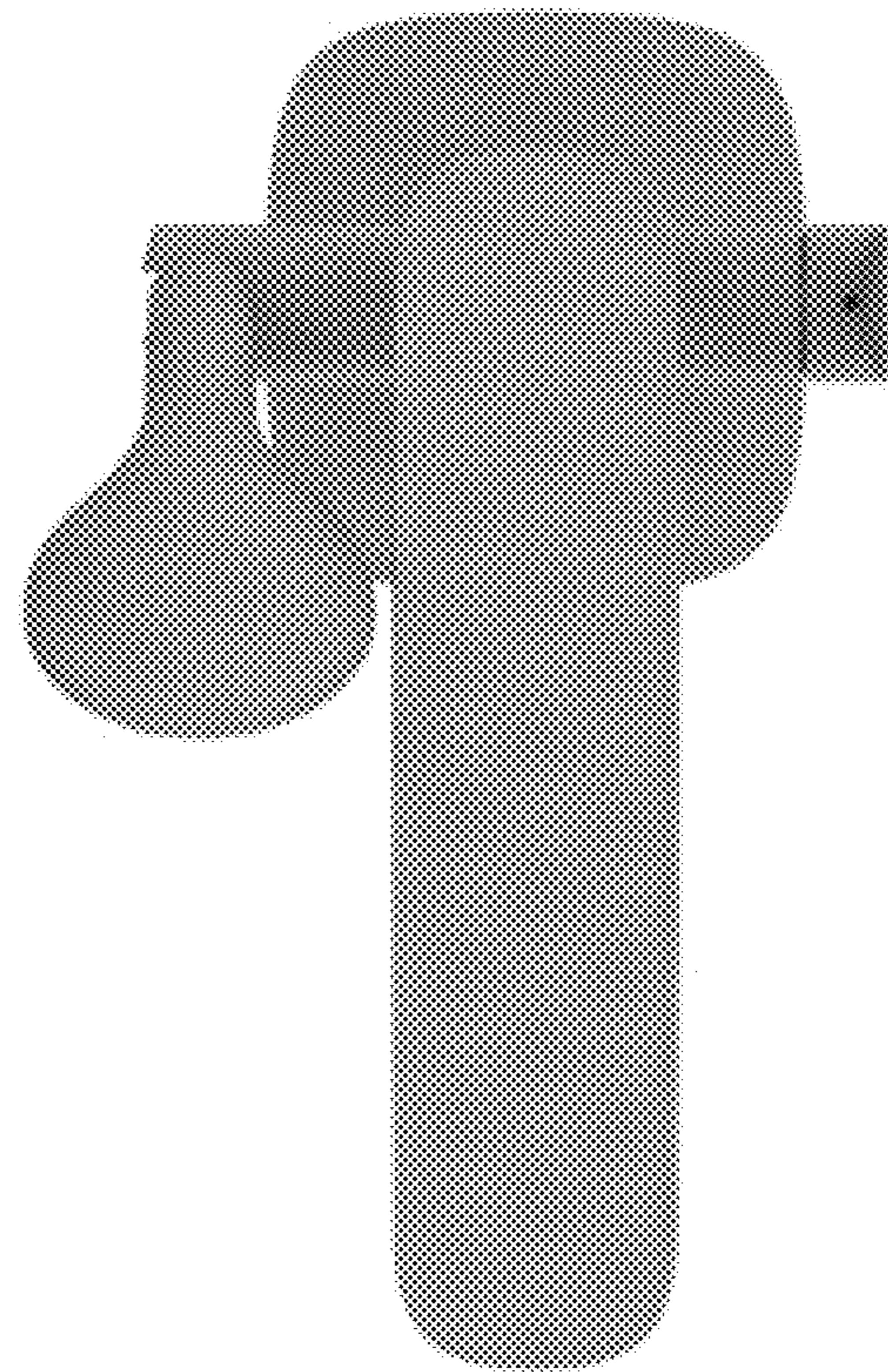


FIG. 3

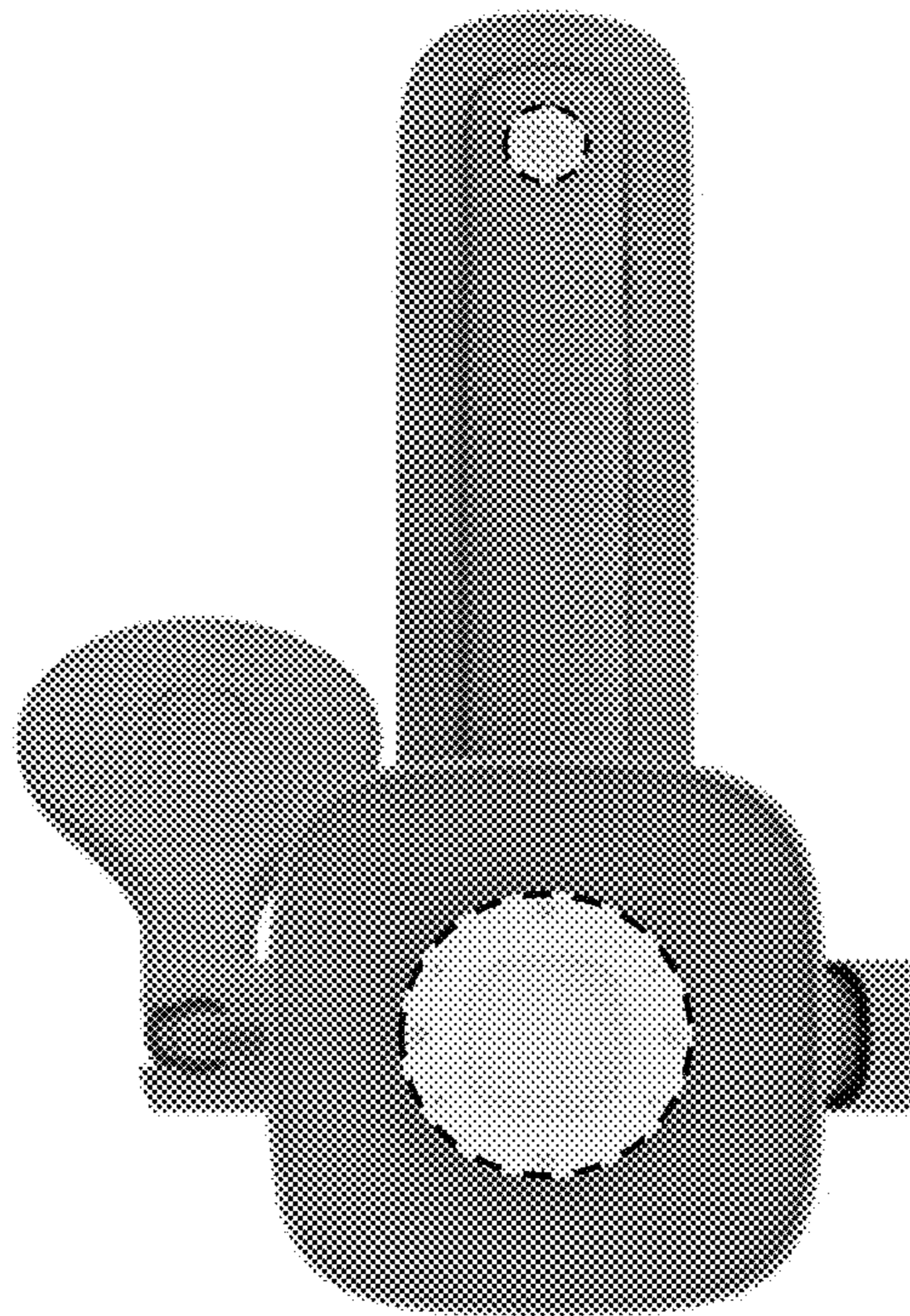


FIG. 4

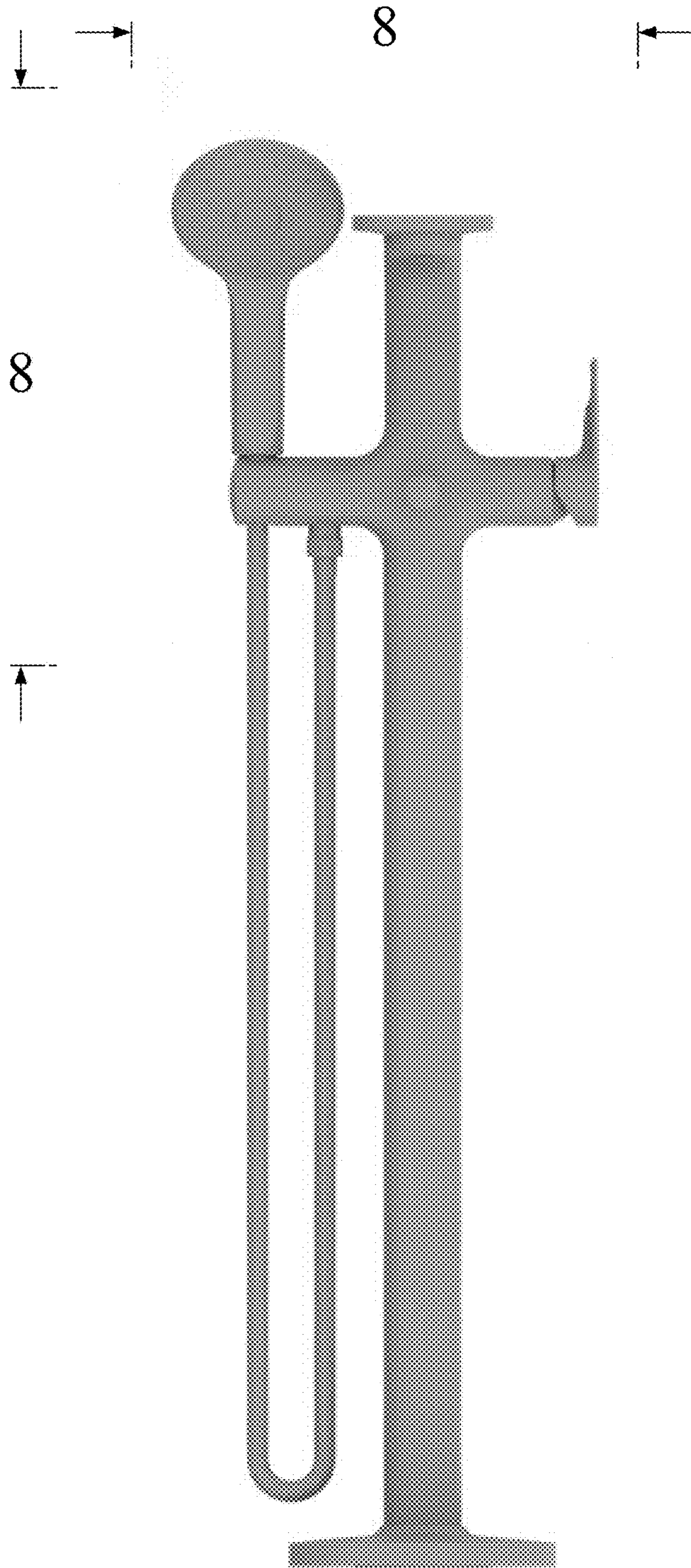


FIG. 5

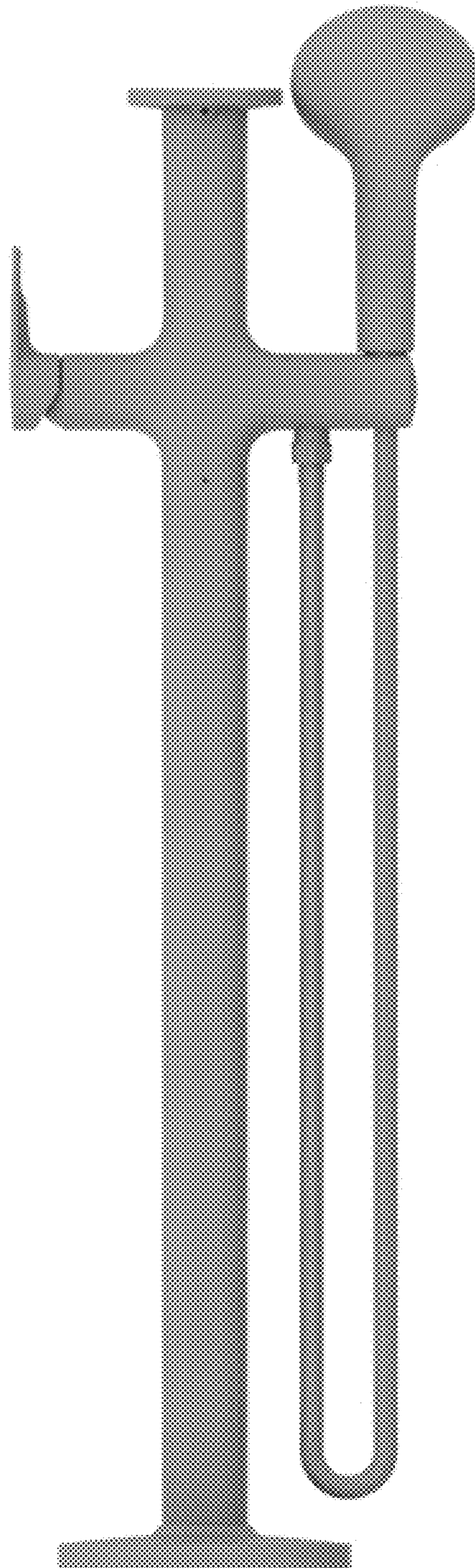


FIG. 6

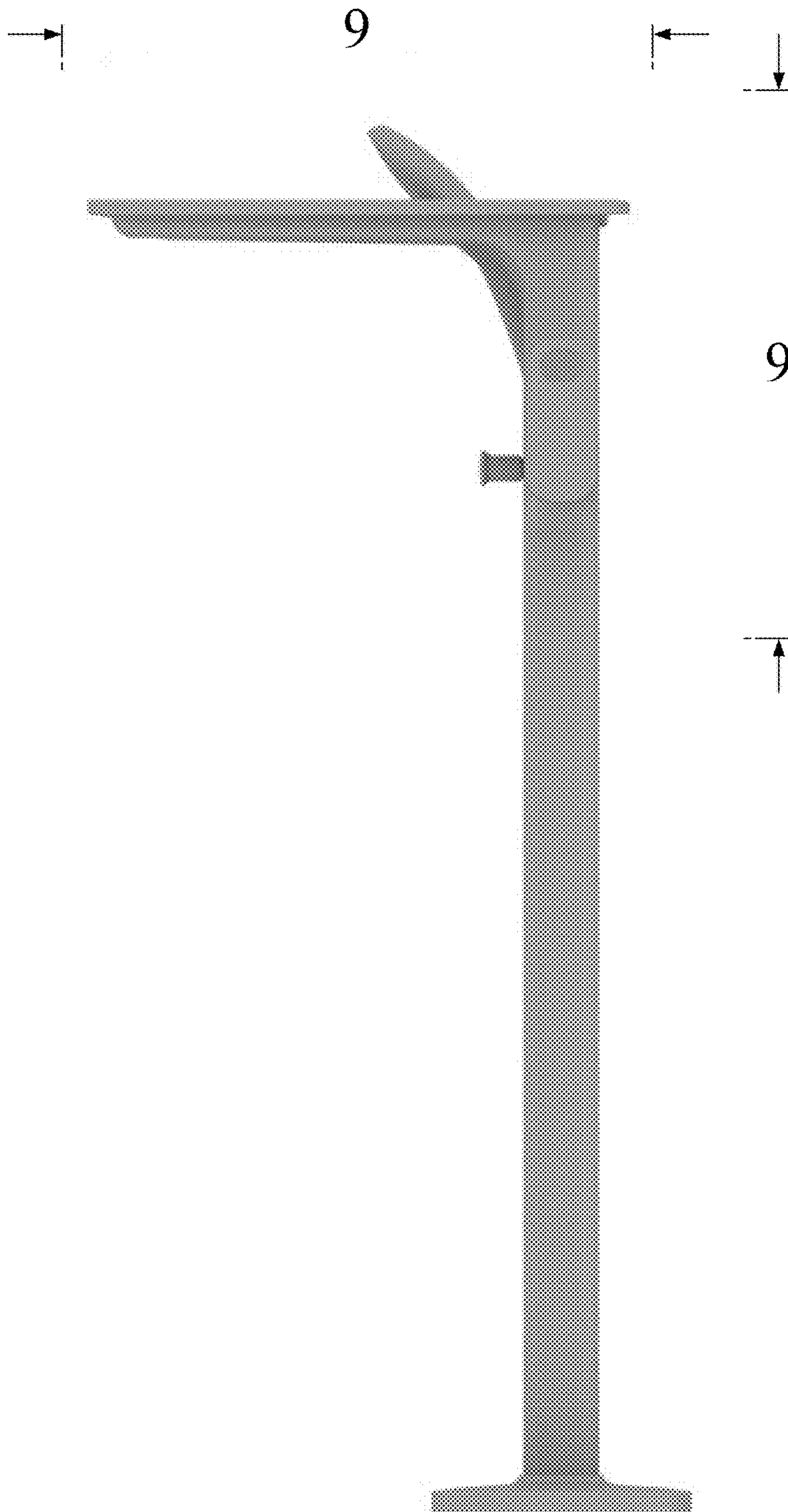


FIG. 7

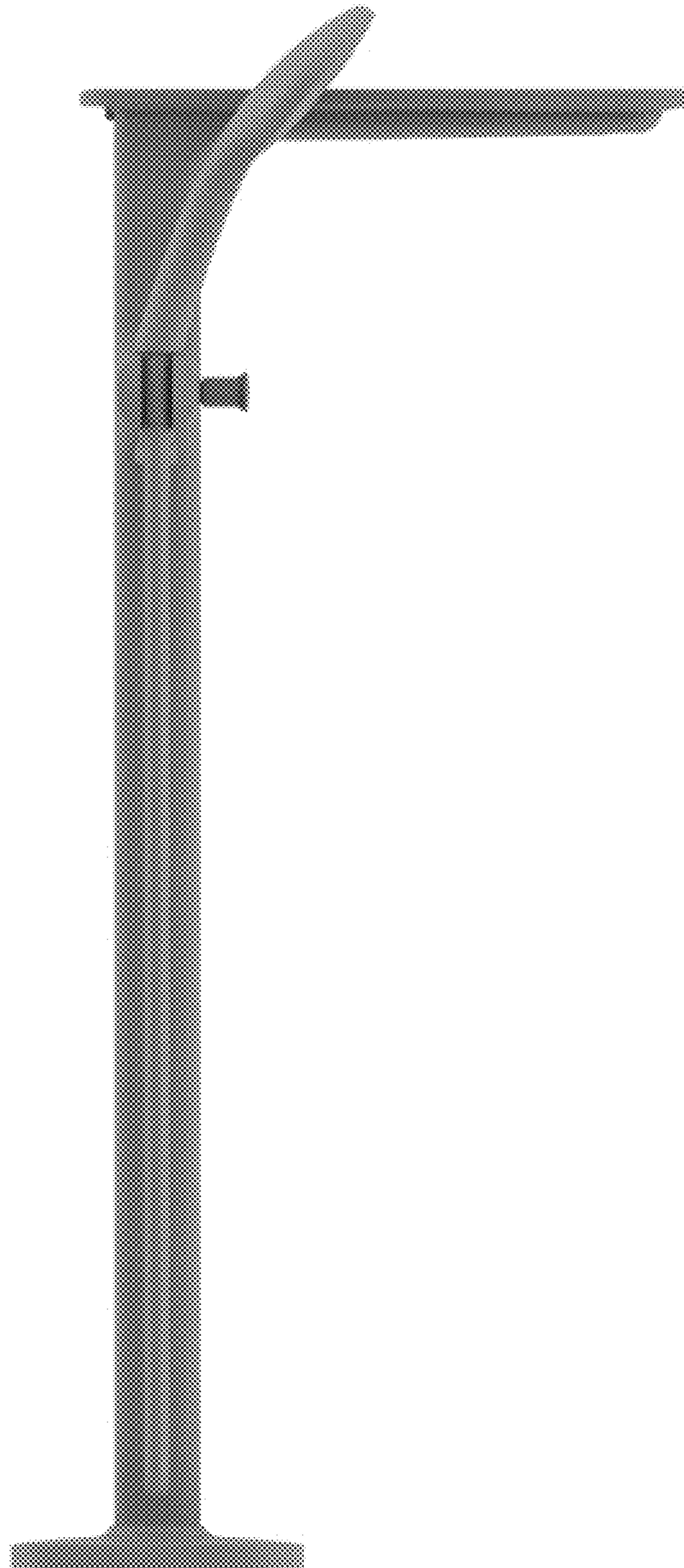




FIG. 8

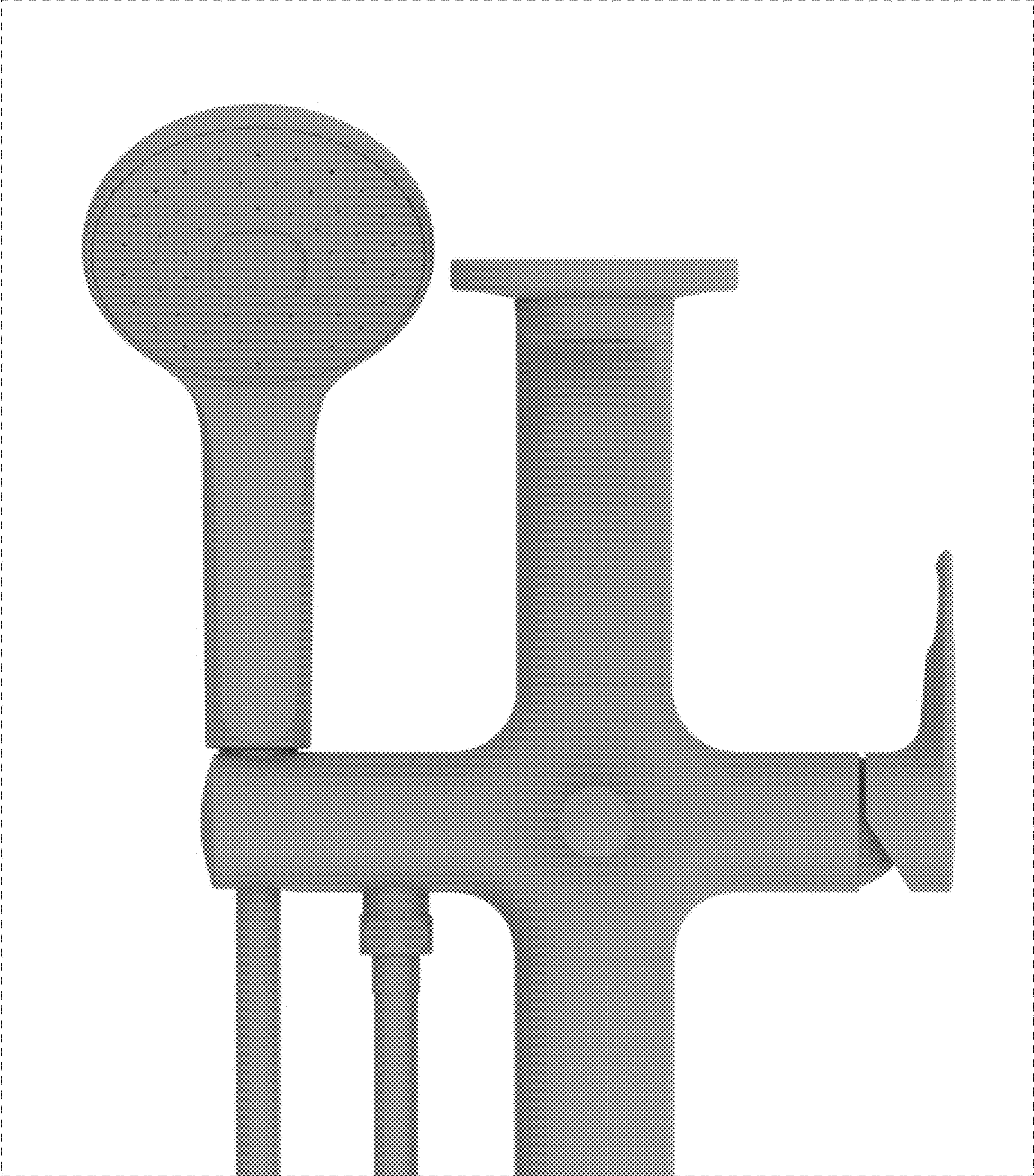


FIG. 9

