



US00D914151S

(12) **United States Design Patent** (10) **Patent No.:** **US D914,151 S**  
**Perrin et al.** (45) **Date of Patent:** **\*\* Mar. 23, 2021**

(54) **COMBINATION EYEWASH AND FAUCET**

FOREIGN PATENT DOCUMENTS

(71) Applicant: **Bradley Fixtures Corporation**,  
Menomonee Falls, WI (US)

CA 178659 \* 12/2017  
EM 004541399-0001 \* 12/2017

(Continued)

(72) Inventors: **Timothy E. Perrin**, Hartford, CT (US);  
**Ryan Pfund**, Slinger, WI (US);  
**Douglas J. Carpiaux**, Milwaukee, WI  
(US); **Scott H. Micoley**, Plymouth, WI  
(US)

OTHER PUBLICATIONS

Bradley Eyewash Station, announced Date unavailable[online],  
[site visited Jul. 15, 2020]. Available from internet, URL:<<https://www.scnindustrial.com/product/bradley-eyewash-station-s19274hw-sei778>> (Year: 2020).\*

(Continued)

(73) Assignee: **Bradley Fixtures Corporation**,  
Menomonee Falls, WI (US)

*Primary Examiner* — Barbara Fox

*Assistant Examiner* — Jamaal Rasheed

(\*\*) Term: **15 Years**

(74) *Attorney, Agent, or Firm* — Foley & Lardner LLP

(21) Appl. No.: **29/721,458**

(57) **CLAIM**

(22) Filed: **Jan. 21, 2020**

We claim the ornamental design for a combination eyewash and faucet, as shown and described.

**DESCRIPTION**

**Related U.S. Application Data**

(63) Continuation of application No. 29/678,491, filed on  
Jan. 29, 2019.

(51) **LOC (13) Cl.** ..... **23-01**

(52) **U.S. Cl.**  
USPC ..... **D23/238**

(58) **Field of Classification Search**  
USPC ..... D23/238–243, 252, 254, 255, 257;  
D8/307–308

(Continued)

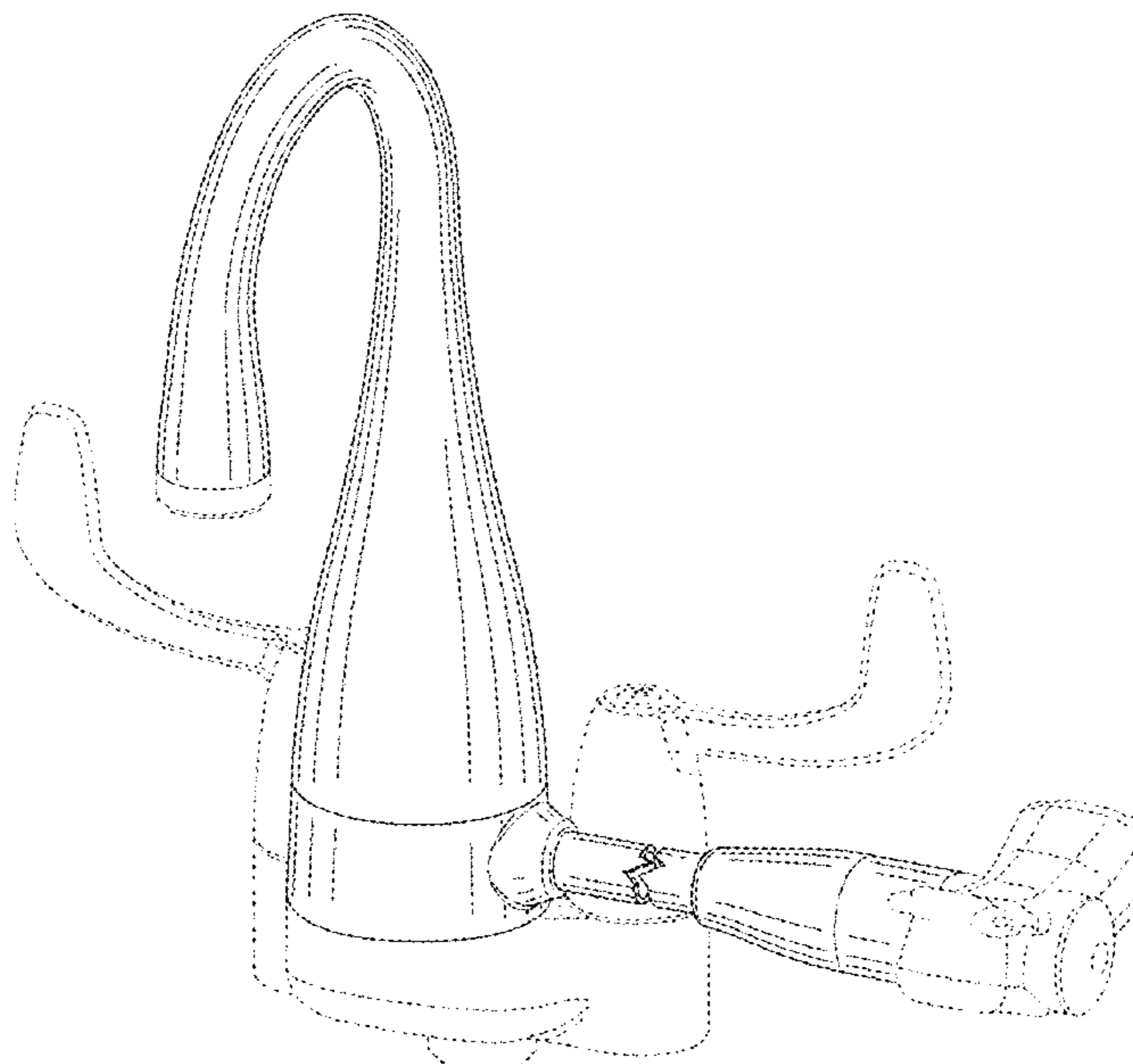
(56) **References Cited**

U.S. PATENT DOCUMENTS

1,079,441 A 11/1913 Roethlisberger  
1,354,838 A 10/1920 Perkins

(Continued)

**1 Claim, 7 Drawing Sheets**



(58) **Field of Classification Search**  
 CPC .... F16K 31/602; F16K 31/605; F16K 31/607;  
 E03C 1/0412; E03C 1/04  
 See application file for complete search history.

(56) **References Cited**

U.S. PATENT DOCUMENTS

1,524,484	A	1/1925	Lutz	
2,635,006	A	4/1953	Richmond	
2,999,249	A	9/1961	Logan et al.	
3,925,829	A	12/1975	Bost	
4,688,276	A	8/1987	Allison et al.	
4,901,927	A	2/1990	Valdivia	
4,975,993	A	12/1990	Black et al.	
D330,071	S	10/1992	Zerlia	
5,170,518	A	12/1992	Warriner	
D368,302	S *	3/1996	Doughty	D23/241
5,530,972	A	7/1996	Tanner	
D373,815	S	9/1996	Chaney	
5,740,569	A	4/1998	Gurries et al.	
D437,394	S *	2/2001	Mark	D23/238
D439,953	S *	4/2001	Lord	D23/241
6,227,456	B1	5/2001	Colman	
6,385,794	B1	5/2002	Miedzius et al.	
D465,831	S *	11/2002	Otero	D23/238
6,520,431	B2	2/2003	Donovan	
6,611,972	B2	9/2003	Underbrink et al.	
6,782,568	B2	8/2004	Novak et al.	
D519,613	S *	4/2006	Spangler	D23/241
D543,827	S	6/2007	Citterio	
7,552,747	B1	6/2009	Sargsyan	
7,997,513	B2	8/2011	Chen et al.	
D706,399	S	6/2014	Yang et al.	
D754,297	S *	4/2016	Garland	D23/242

9,492,348	B2	11/2016	Novak et al.	
9,855,189	B2	1/2018	Eveleigh et al.	
D865,124	S *	10/2019	Carpiaux	D23/239
D865,126	S *	10/2019	Zeng	D23/242
D875,888	S *	2/2020	Carpiaux	D23/238
D886,952	S *	6/2020	Carpiaux	D23/238
2002/0175226	A1	11/2002	Donovan	
2009/0276954	A1 *	11/2009	Davidson	E03C 1/0401 4/695
2012/0096639	A1	4/2012	Stanley et al.	
2019/0390446	A1 *	12/2019	Mooren	E03C 1/0401

FOREIGN PATENT DOCUMENTS

EM	004541399-0007	*	12/2017	
WO	WO-2008/067879	A1	6/2008	

OTHER PUBLICATIONS

Eyewash Faucet, Combination Emergency Eyewash and Gooseneck Faucet, Chicago Faucets, CF2124 Nov. 2019, Copyright 2019, available at <https://www.chicagofaucets.com/sites/default/files/2020-02/CF2124.pdf>, 2pps.  
 International Search Report and Written Opinion for International Application No. PCT/US2018/036933, dated Nov. 23, 2018, 23 pages.  
 Speakman Eyewash—Faucets, website <http://speakman.com/emergency-equipment/eyewash-faucet>, 2017, 2 pages.  
 U.S. Notice of Allowance on U.S. Appl. No. 29/607,253, dated Jul. 3, 2019, 6 pages.  
 U.S. Office Action on U.S. Appl. No. 29/607,253, dated Mar. 2, 2018, 6 pages.

\* cited by examiner

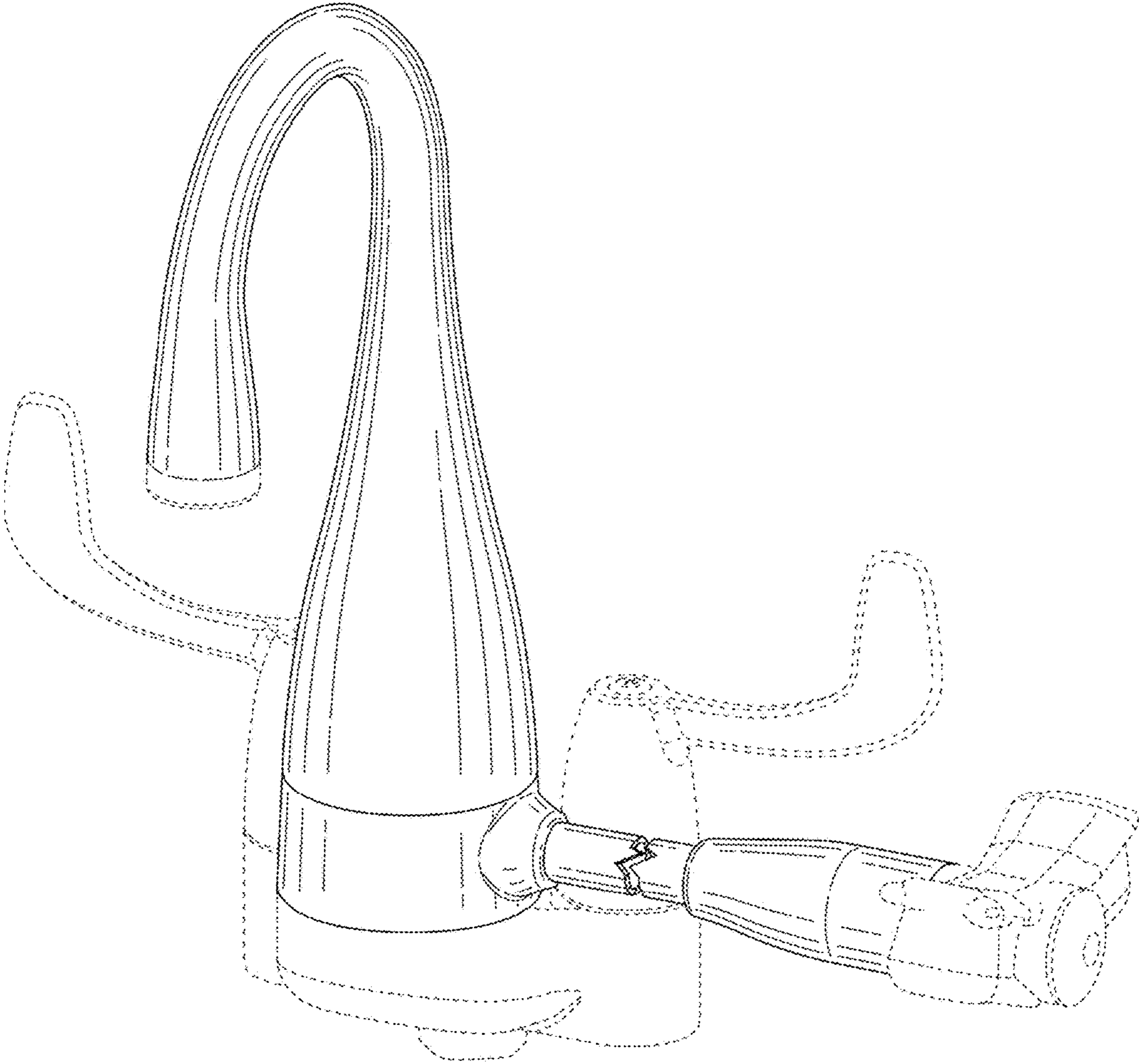
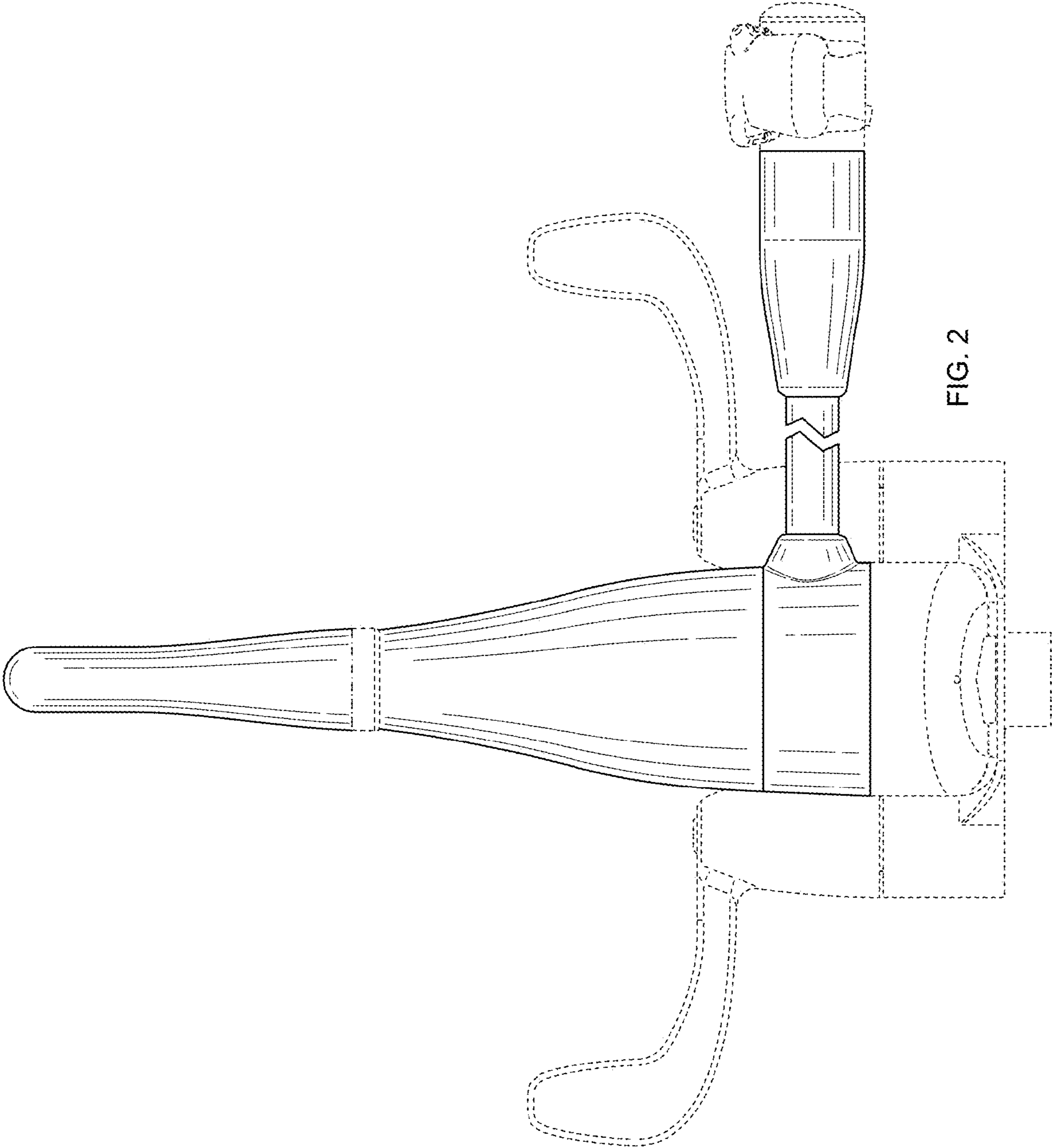
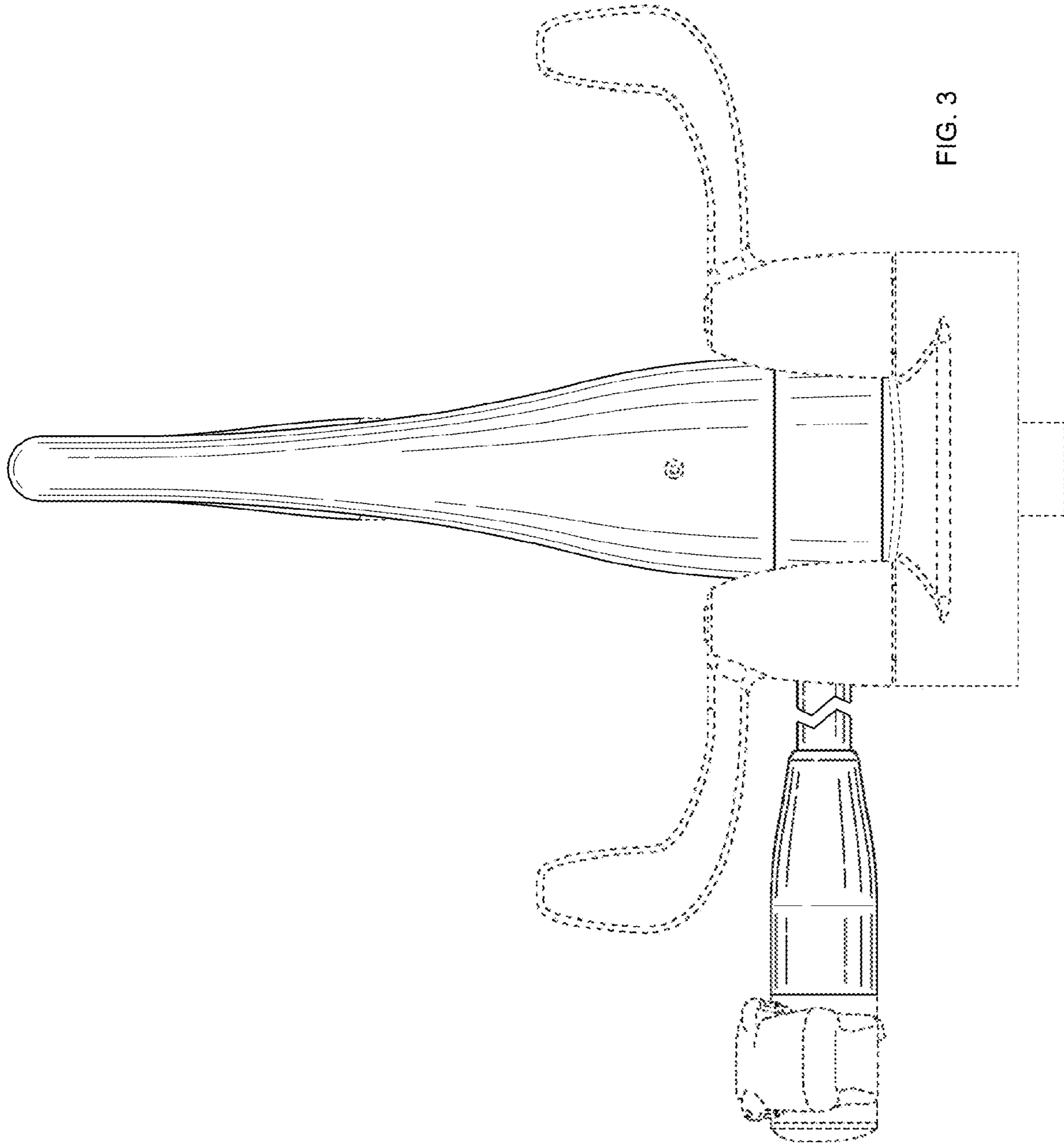


FIG. 1







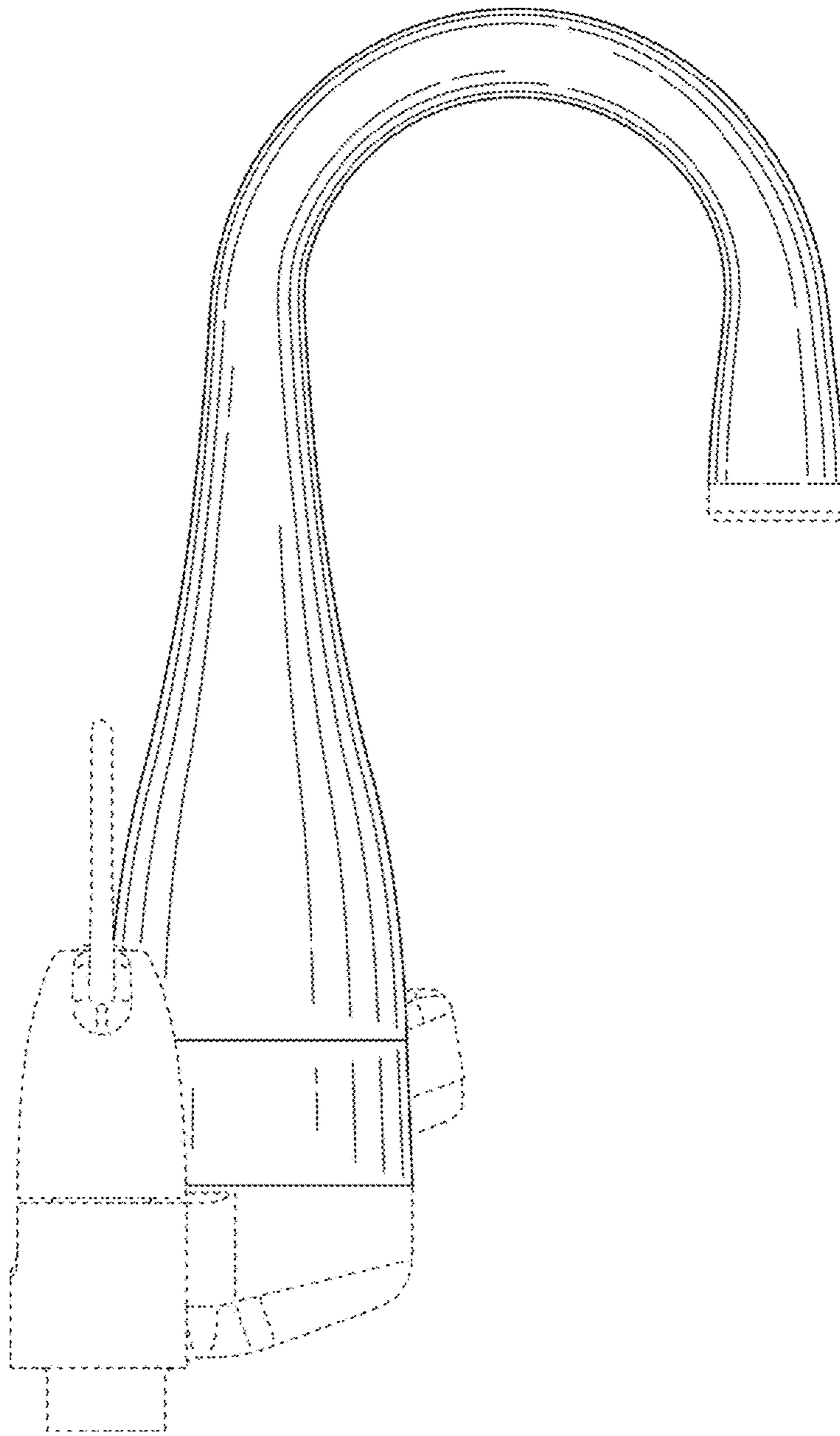


FIG. 4

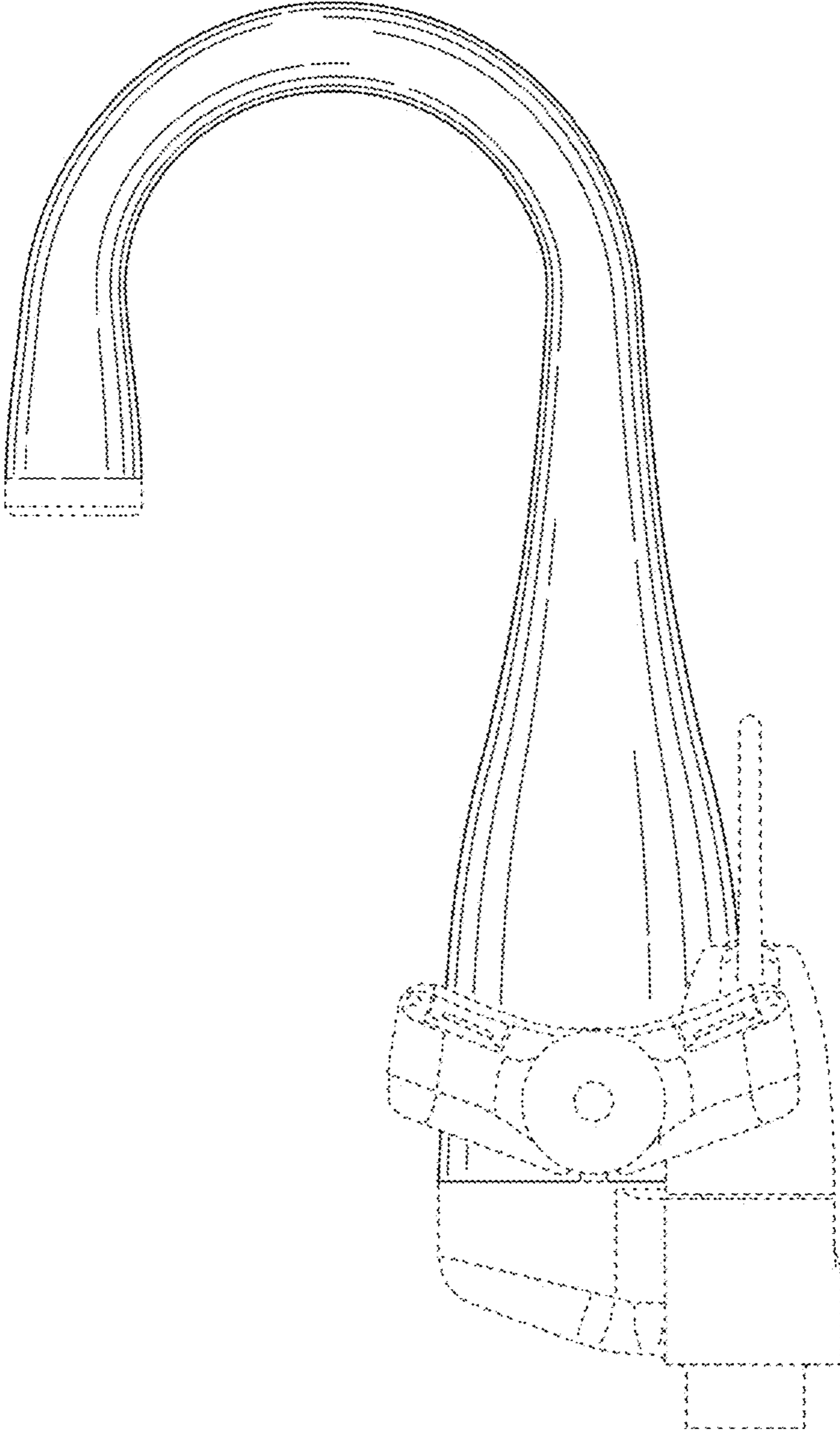


FIG. 5

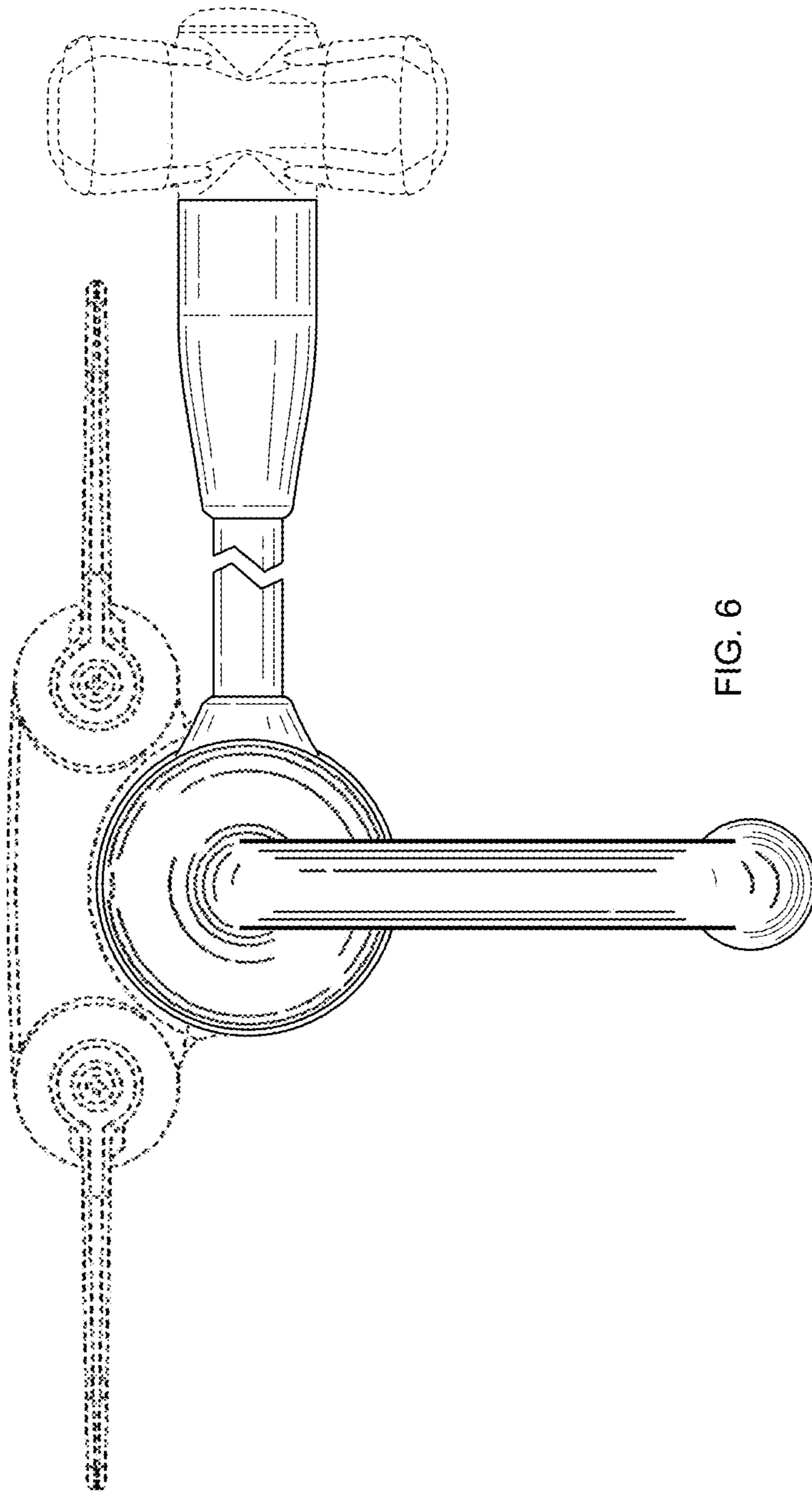


FIG. 6



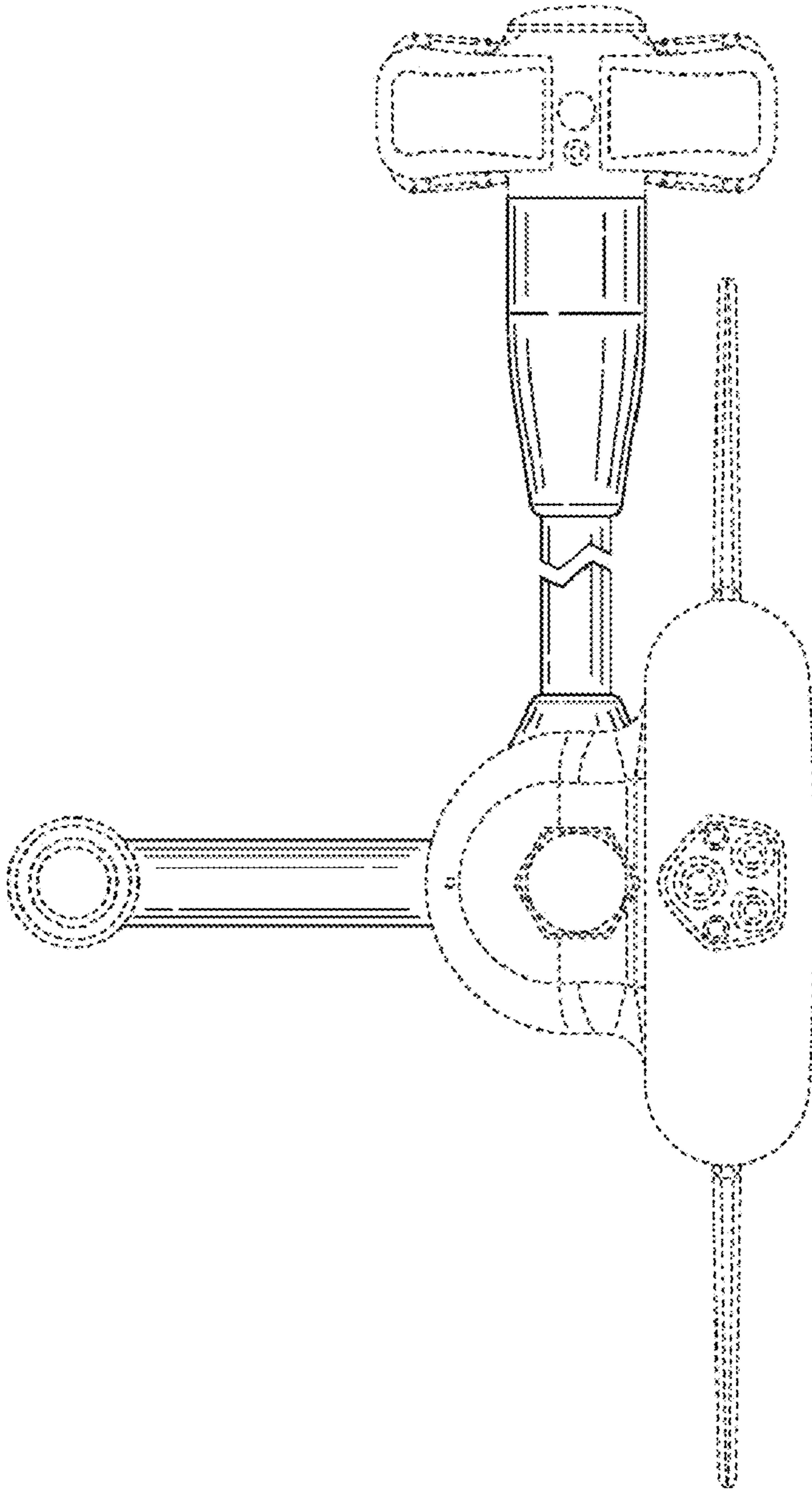


FIG. 7