



US00D914149S

(12) **United States Design Patent**
Flaig et al.

(10) **Patent No.:** **US D914,149 S**
(45) **Date of Patent:** **** Mar. 23, 2021**

(54) **FAUCET**

(71) Applicant: **Hansgrohe SE**, Schiltach (DE)

(72) Inventors: **Marco Flaig**, Stuttgart (DE); **Andreas Diefenbach**, Ludwigsburg-Oßweil (DE)

(73) Assignee: **Hansgrohe SE**, Schiltach (DE)

(**) Term: **15 Years**

(21) Appl. No.: **29/701,928**

(22) Filed: **Aug. 15, 2019**

(30) **Foreign Application Priority Data**

Feb. 21, 2019 (EM) 006263976

(51) **LOC (13) Cl.** **23-01**

(52) **U.S. Cl.**
USPC **D23/238**

(58) **Field of Classification Search**
USPC D23/238, 239, 240, 241, 242, 243, 249,
D23/250, 255, 256, 257; D6/524
CPC E03C 1/04; E03C 1/0401; E03C 1/0402;
E03C 1/0404; E03C 1/0405; E03C
1/0412; Y10T 137/9464
See application file for complete search history.

(56) **References Cited**

U.S. PATENT DOCUMENTS

D615,628 S * 5/2010 Allard D23/255
D646,354 S * 10/2011 Gessi D23/238
D692,986 S * 11/2013 Flowers D23/238

D757,220 S * 5/2016 Schoenherr D23/238
D762,286 S * 7/2016 Pony D23/238
D811,533 S * 2/2018 Schoenherr D23/238
D883,439 S * 5/2020 Seum D23/238
2010/0116370 A1* 5/2010 Lacher E03C 1/0404
137/801
2014/0027372 A1* 1/2014 Keiter E03C 1/048
210/420
2017/0002552 A1* 1/2017 Wang E03C 1/046

FOREIGN PATENT DOCUMENTS

CN 303552375 1/2016
EM 001150809-0001 8/2009
EM 001150809-0003 8/2009
EM 001179832-0006 12/2009
WO D085215-074 6/2015

* cited by examiner

Primary Examiner — John A Voytek

(74) *Attorney, Agent, or Firm* — Lora J. Graentzdoerffer

(57) **CLAIM**

The ornamental design for a faucet, as shown and described.

DESCRIPTION

FIG. 1 is a perspective view of a faucet showing our design;
FIG. 2 is a front elevation view;
FIG. 3 is a rear elevation view;
FIG. 4 is a right side elevation view;
FIG. 5 is a left side elevation view;
FIG. 6 is a top plan view; and,
FIG. 7 is a bottom plan view.

The broken-line disclosures in the drawings represent portions of the faucet that form no part of the claimed design.

1 Claim, 7 Drawing Sheets

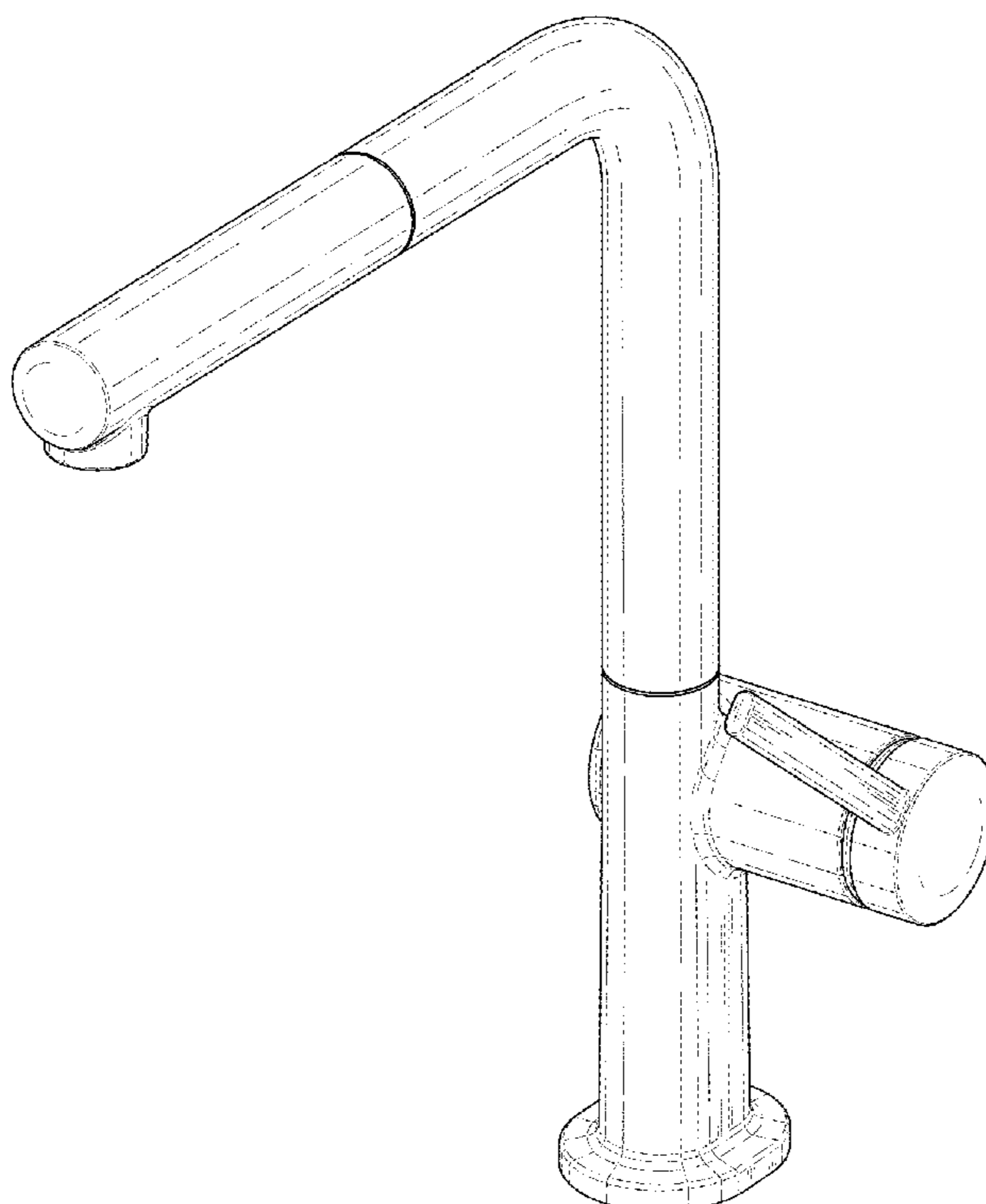


FIG. 1

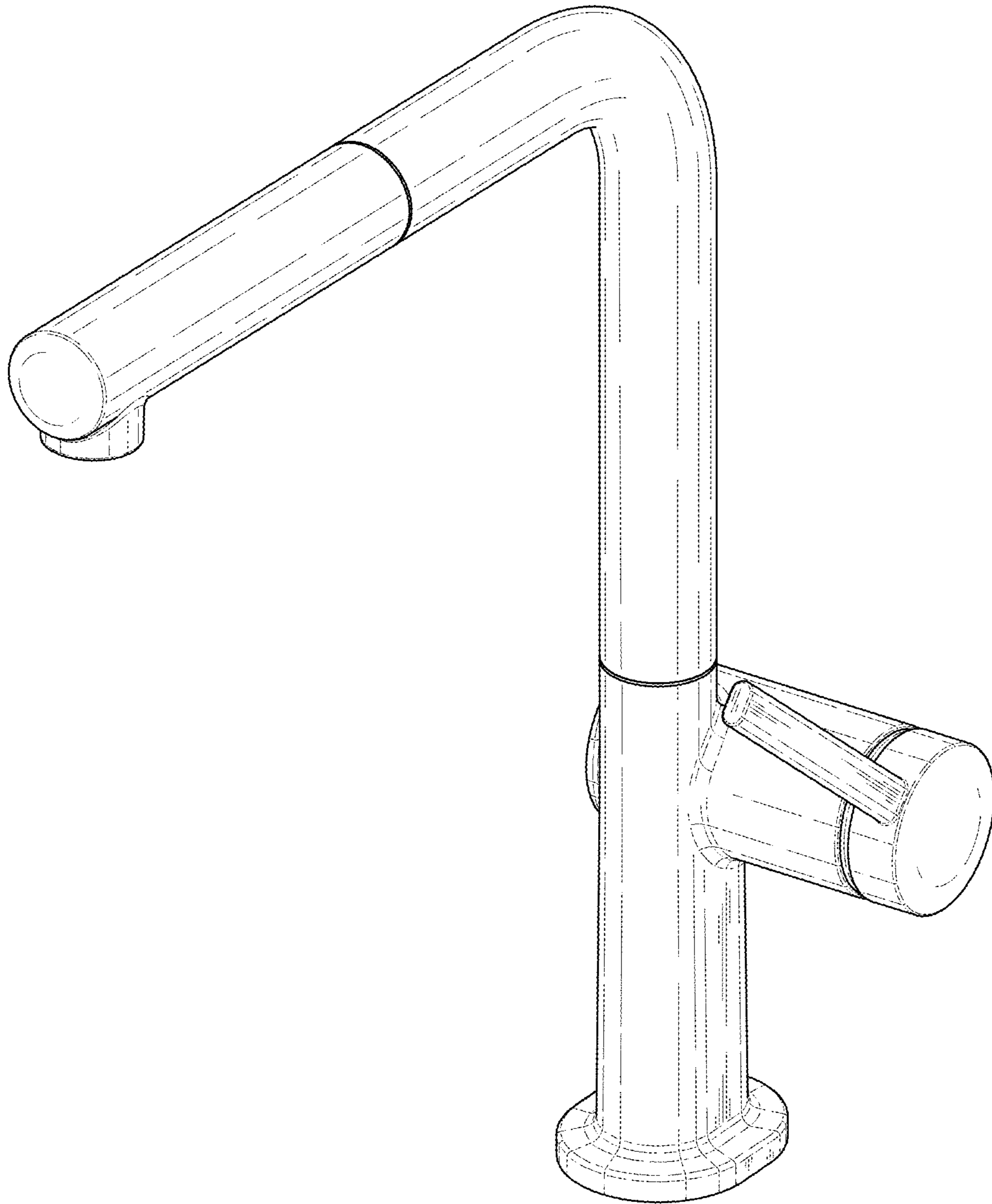


FIG. 2

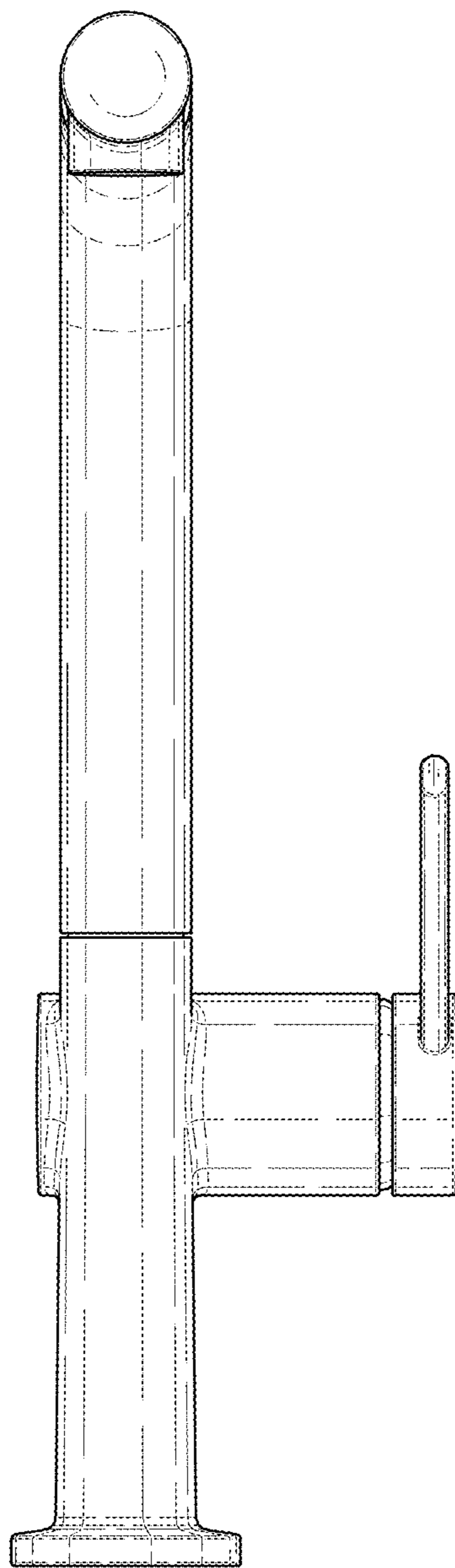


FIG. 3

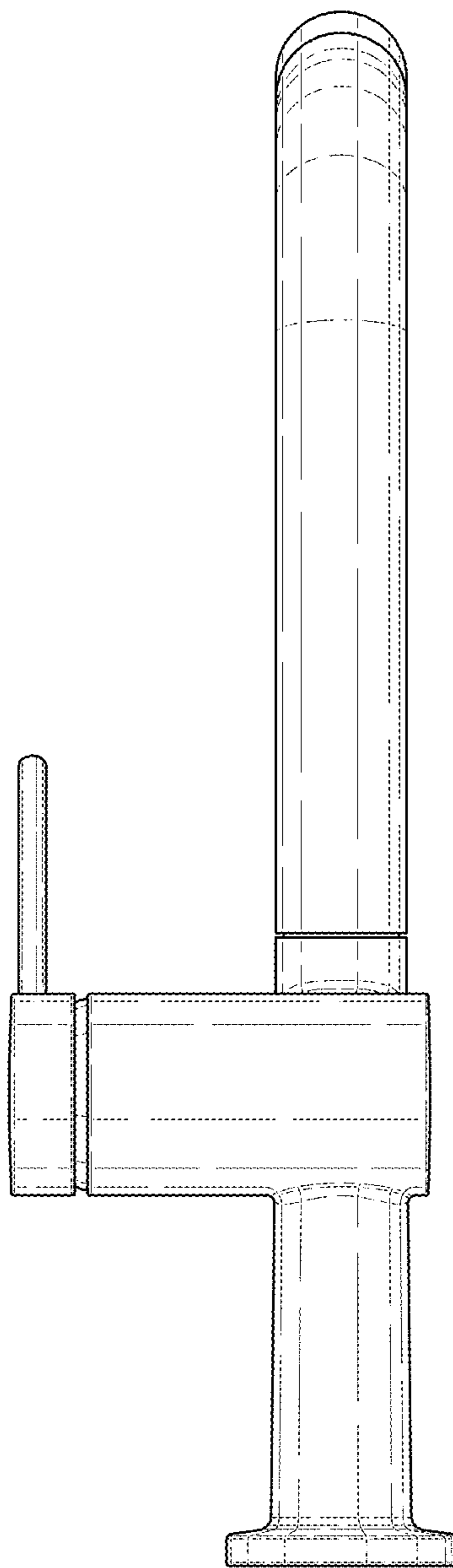


FIG. 4

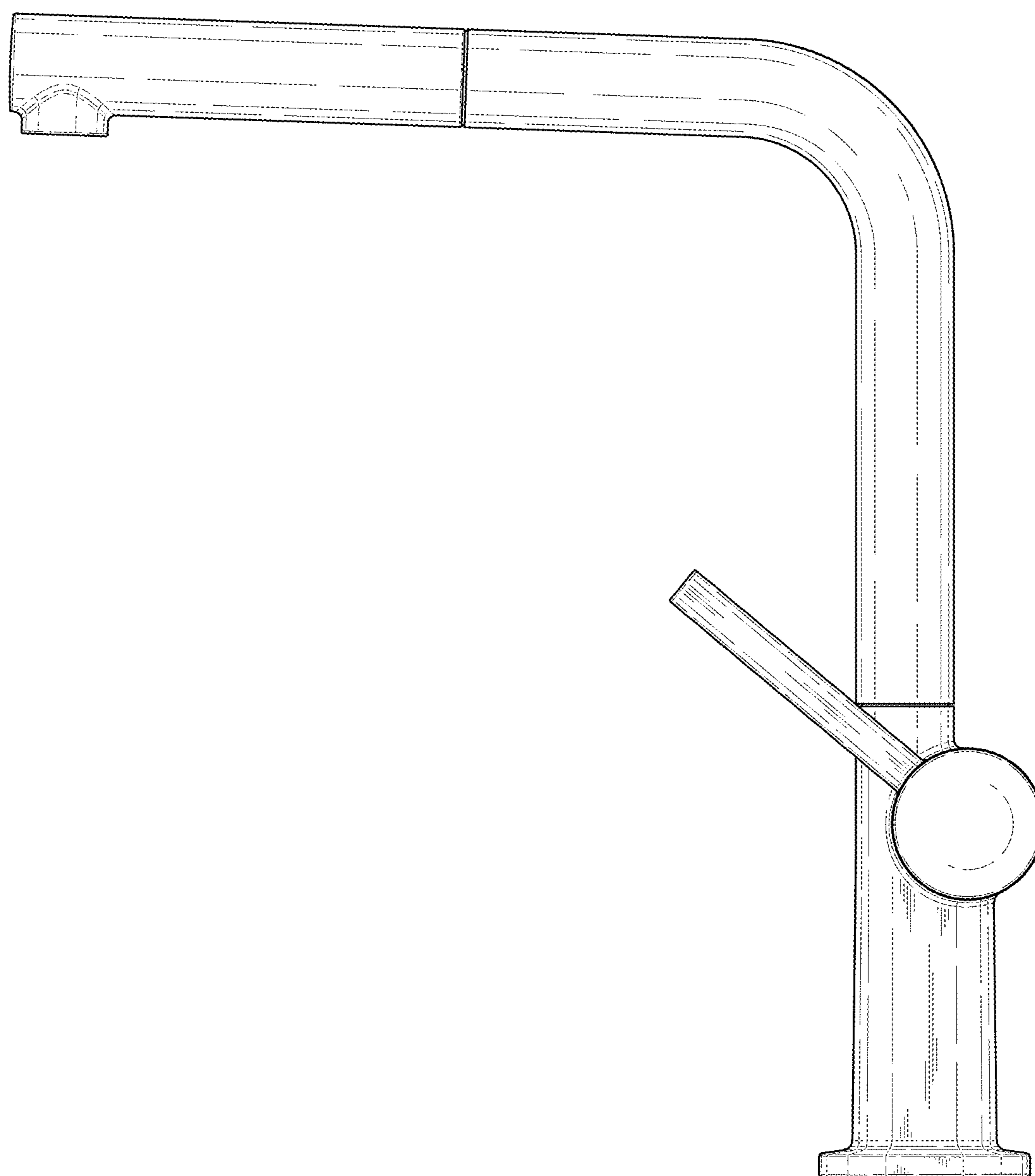


FIG. 5

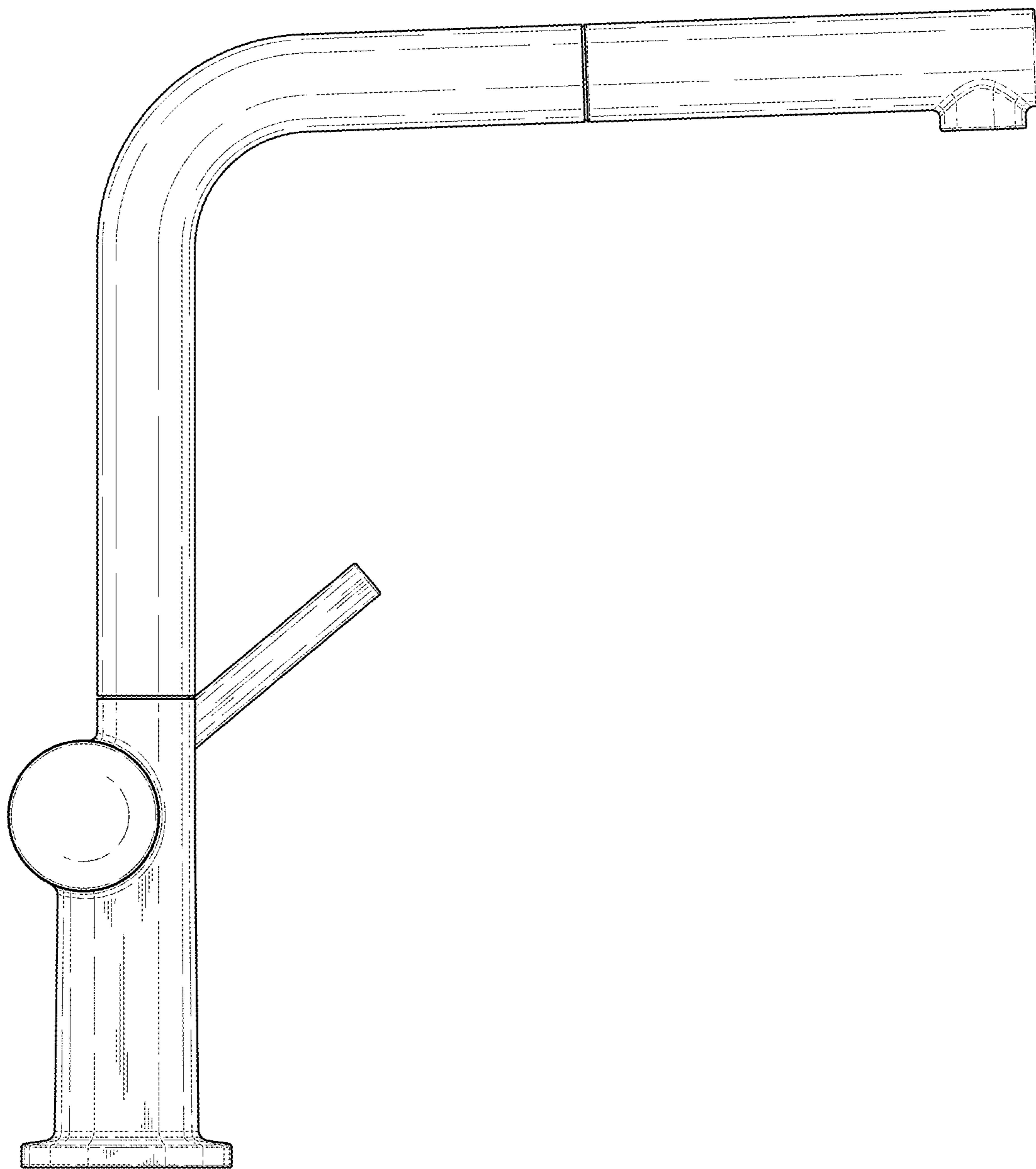


FIG. 6

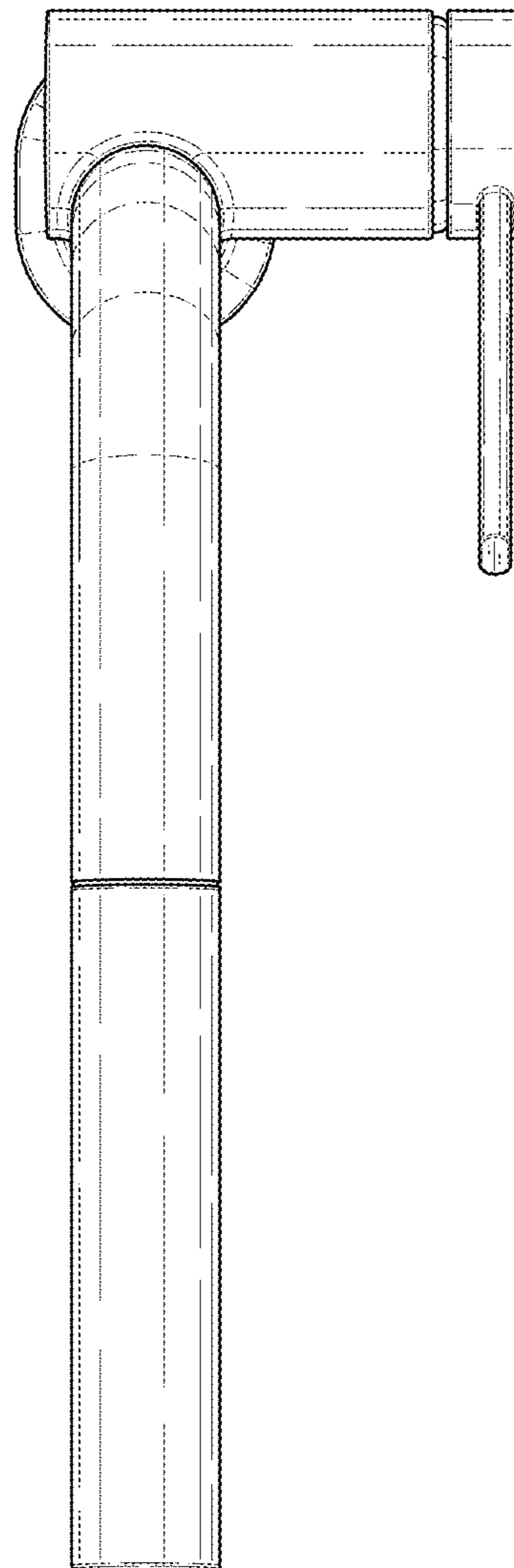


FIG. 7

