



US00D914147S

(12) **United States Design Patent** (10) **Patent No.:** **US D914,147 S**
Flaig et al. (45) **Date of Patent:** **** Mar. 23, 2021**

(54) **FAUCET**
(71) Applicant: **Hansgrohe SE**, Schiltach (DE)
(72) Inventors: **Marco Flaig**, Stuttgart (DE); **Andreas Diefenbach**, Fudwigsburg-Oßweil (DE)

(73) Assignee: **Hansgrohe SE**, Schiltach (DE)

(**) Term: **15 Years**

(21) Appl. No.: **29/701,918**

(22) Filed: **Aug. 15, 2019**

(30) **Foreign Application Priority Data**

Feb. 21, 2019 (EM) 006263976-0002

(51) **LOC (13) Cl.** **23-01**

(52) **U.S. Cl.**
USPC **D23/238**

(58) **Field of Classification Search**
USPC D23/238, 239, 240, 241, 242, 243, 249,
D23/250, 255, 256, 257; D6/524
CPC E03C 1/04; E03C 1/0401; E03C 1/0402;
E03C 1/0404; E03C 1/0405; E03C
1/0412; Y10T 137/9464
See application file for complete search history.

(56) **References Cited**

U.S. PATENT DOCUMENTS

D526,389 S * 8/2006 Lammel D23/238
D538,402 S * 3/2007 Lammel D23/238
D635,220 S * 3/2011 Rubin D23/238
D635,221 S * 3/2011 Rubin D23/238
D652,899 S * 1/2012 Citterio D23/255
D685,878 S * 7/2013 Fritz D23/238

D737,937 S * 9/2015 Flowers D23/238
D757,902 S * 5/2016 Schoenherr D23/238
D828,510 S * 9/2018 Zeisel D23/238
D830,518 S * 10/2018 Zeisel D23/238
D846,077 S * 4/2019 Liu D23/238
D855,766 S * 8/2019 Seum D23/238
D890,304 S * 7/2020 Potter D23/239

FOREIGN PATENT DOCUMENTS

CN 301381080 11/2010
EM 001179832-0008 12/2009
WO D067836-001 11/2006

OTHER PUBLICATIONS

Hansgrohr Talis N Kitchen Faucet, U-Style 1-Spray [Sep. 9, 2020] found online [Sep. 9, 2020]—Talis N Kitchen Faucet, U-Style 1-Spray.*

* cited by examiner

Primary Examiner — John A Voytek

(74) *Attorney, Agent, or Firm* — Lora J. Graentzdoerffer

(57) **CLAIM**

The ornamental design for a faucet, as shown and described.

DESCRIPTION

FIG. 1 is a perspective view of a faucet showing our design; FIG. 2 is a front elevation view; FIG. 3 is a rear elevation view; FIG. 4 is a right side elevation view; FIG. 5 is a left side elevation view; FIG. 6 is a top plan view; and, FIG. 7 is a bottom plan view.

The broken-line disclosures in the drawings represent portions of the faucet that form no part of the claimed design.

1 Claim, 7 Drawing Sheets

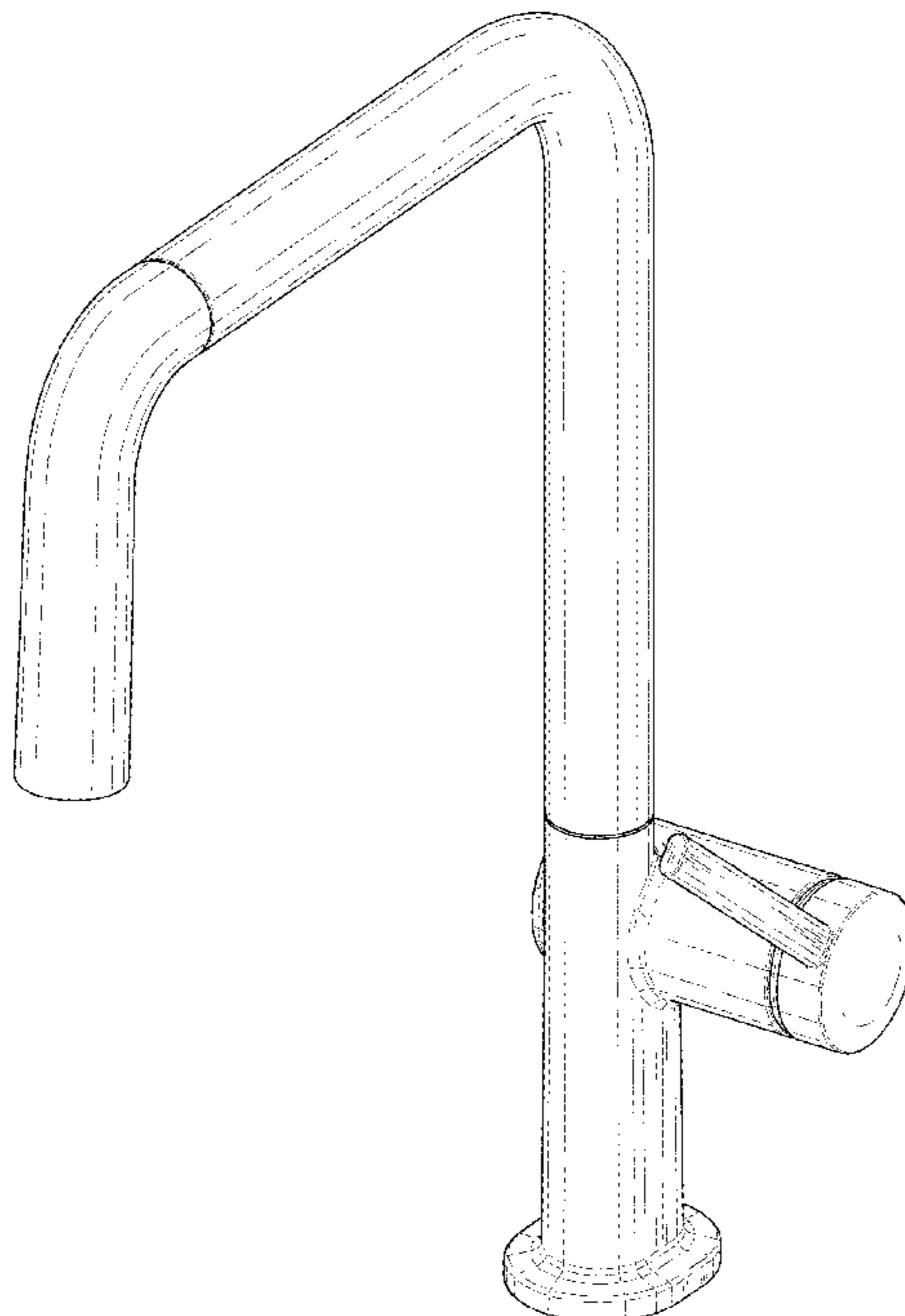


FIG. 1

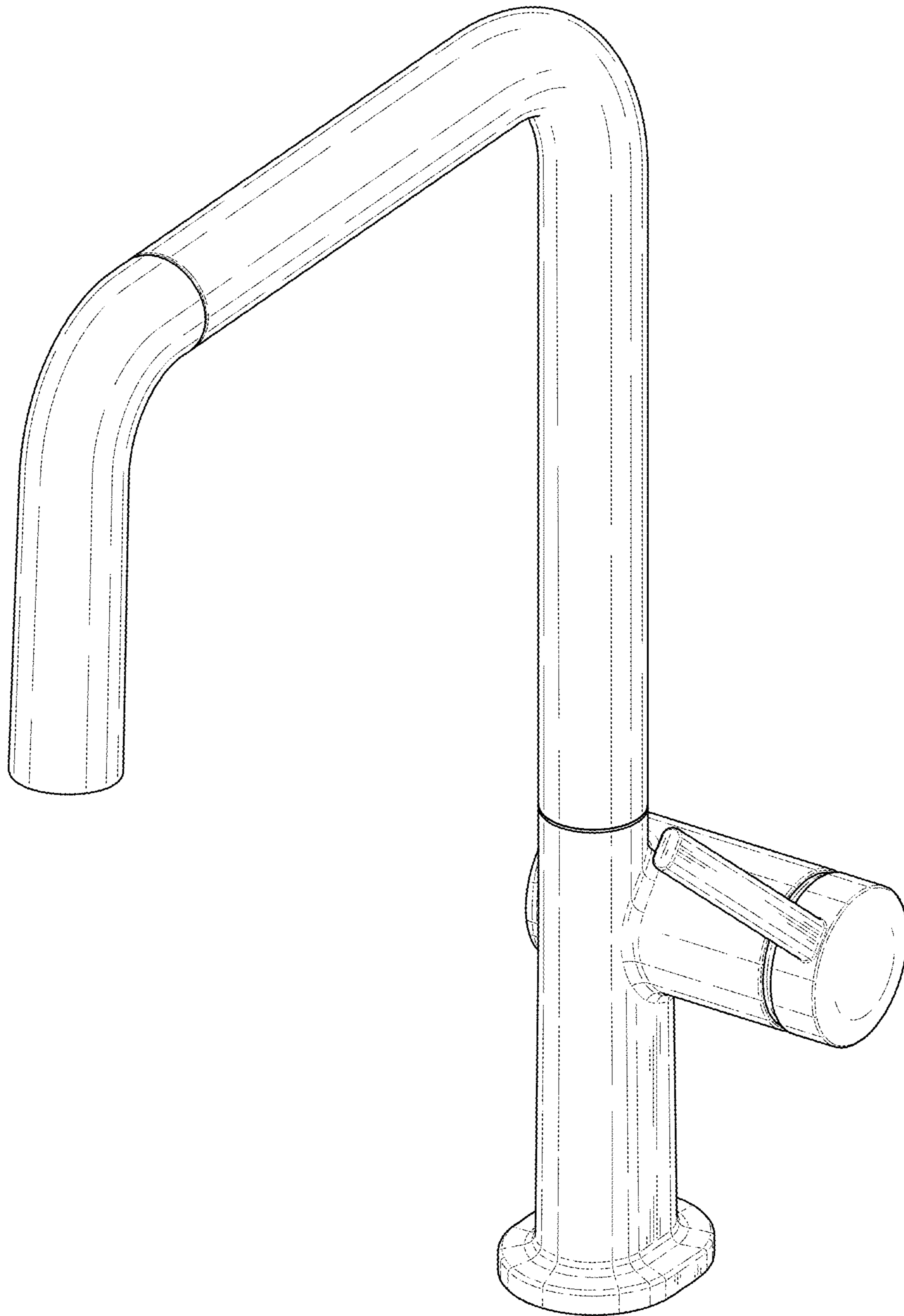


FIG. 2

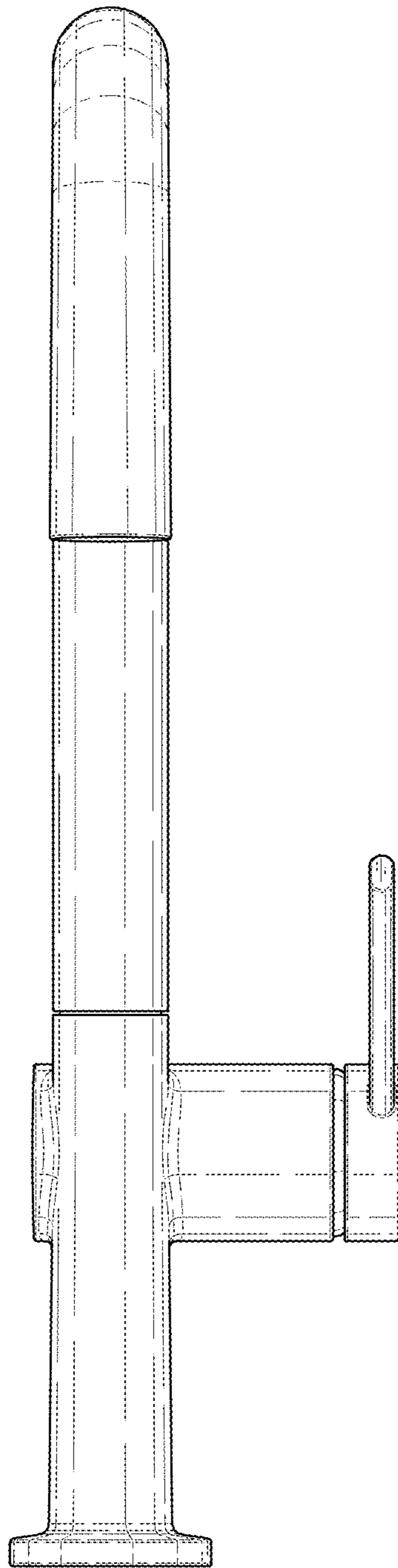


FIG. 3

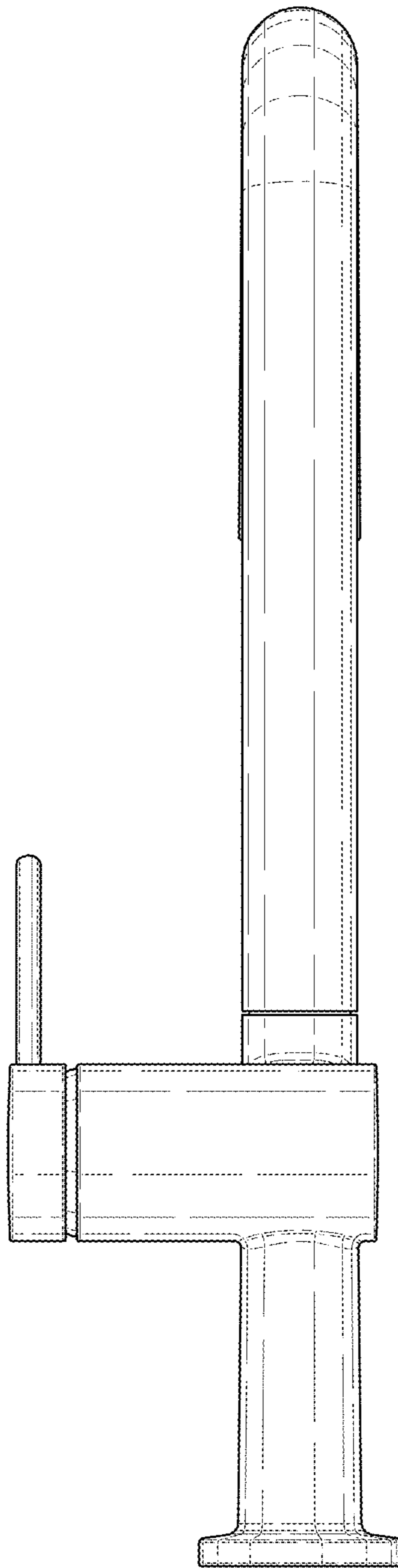


FIG. 4

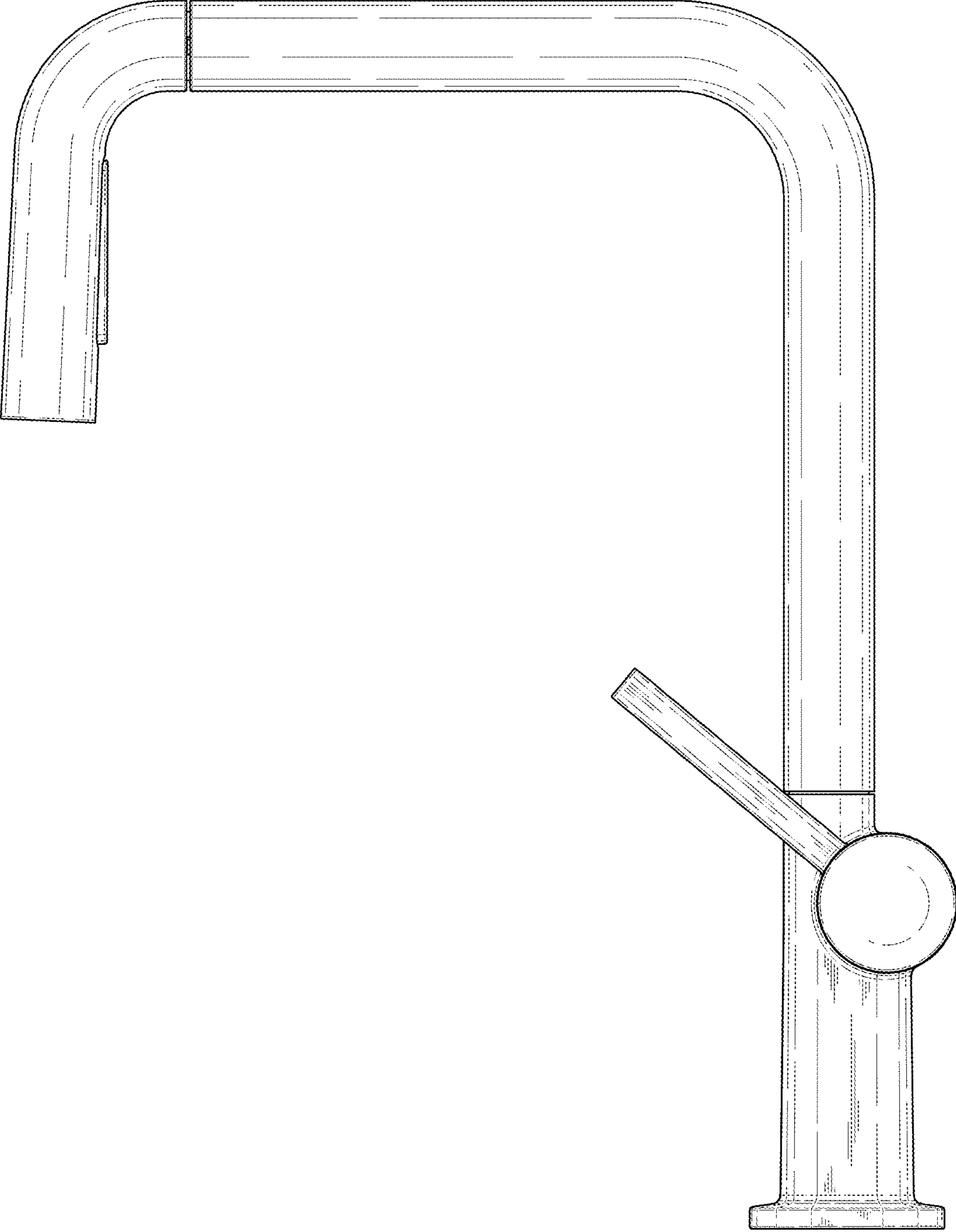


FIG. 5

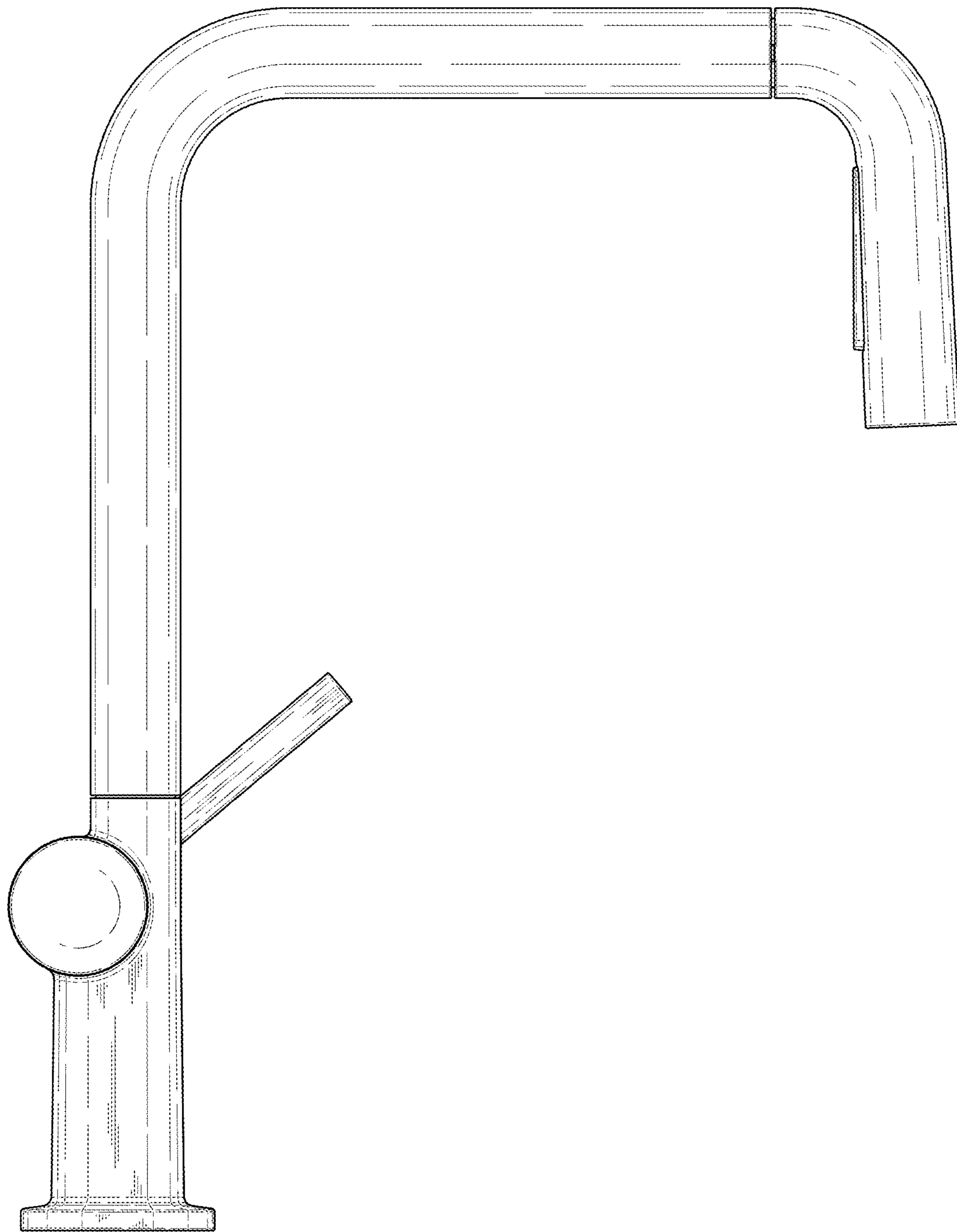


FIG. 6

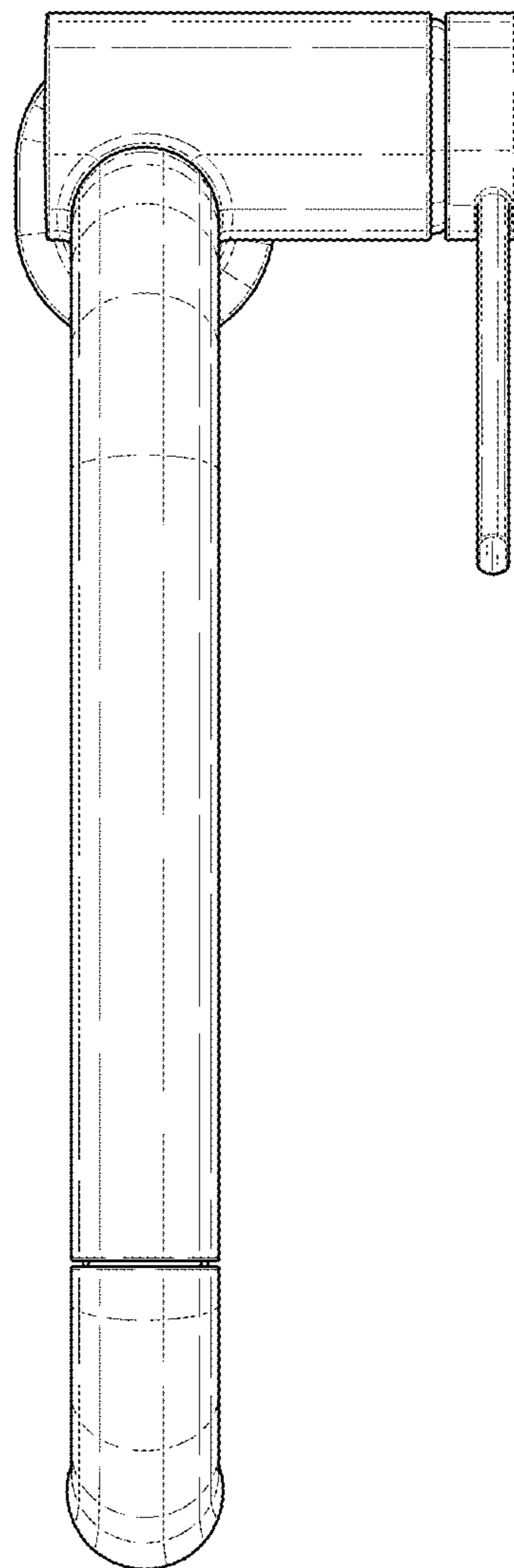


FIG. 7

