



US00D914145S

(12) **United States Design Patent** (10) **Patent No.:** **US D914,145 S**
Levi (45) **Date of Patent:** **** Mar. 23, 2021**

(54) **FAUCET**

FOREIGN PATENT DOCUMENTS

(71) Applicant: **ICG Licensing LLC**, Port Washington, NY (US)

CN 2630326 Y 8/2004
CN 2791419 Y 6/2006

(Continued)

(72) Inventor: **Russell Levi**, Port Washington, NY (US)

OTHER PUBLICATIONS

(73) Assignee: **Kraus USA Plumbing LLC**, Port Washington, NY (US)

Kraus Nolen™ Single Handle Pull-Down Kitchen Faucet with Dual Function Spray Head [Sep. 8, 2020] found online [Sep. 8, 2020]—
https://www.build.com/kraus-kpf-1673/s1370640?uid=3299446&jmtest=gg-gbav2_3299446&inv=1&source=gg-gba-pla_3299446!c1705989067!a65446962206!dc!ng&gclid=EAlalQobChMI29a7juXZ6wIVlueGCh3FYQ_PEAkYA.*

(Continued)

(**) Term: **15 Years**

(21) Appl. No.: **29/701,754**

(22) Filed: **Aug. 14, 2019**

(51) **LOC (13) Cl.** **23-01**

Primary Examiner — John A Voytek

(52) **U.S. Cl.**
USPC **D23/238**

(74) *Attorney, Agent, or Firm* — Carter, DeLuca & Farrell, LLP

(58) **Field of Classification Search**
USPC D23/238, 239, 240, 241, 242, 243, 249, D23/250, 255, 256, 257; D6/524
CPC E03C 1/04; E03C 1/0401; E03C 1/0402; E03C 1/0404; E03C 1/0405; E03C 1/0412; Y10T 137/9464

(57) **CLAIM**

The ornamental design for a faucet, as shown and described.

See application file for complete search history.

DESCRIPTION

(56) **References Cited**

U.S. PATENT DOCUMENTS

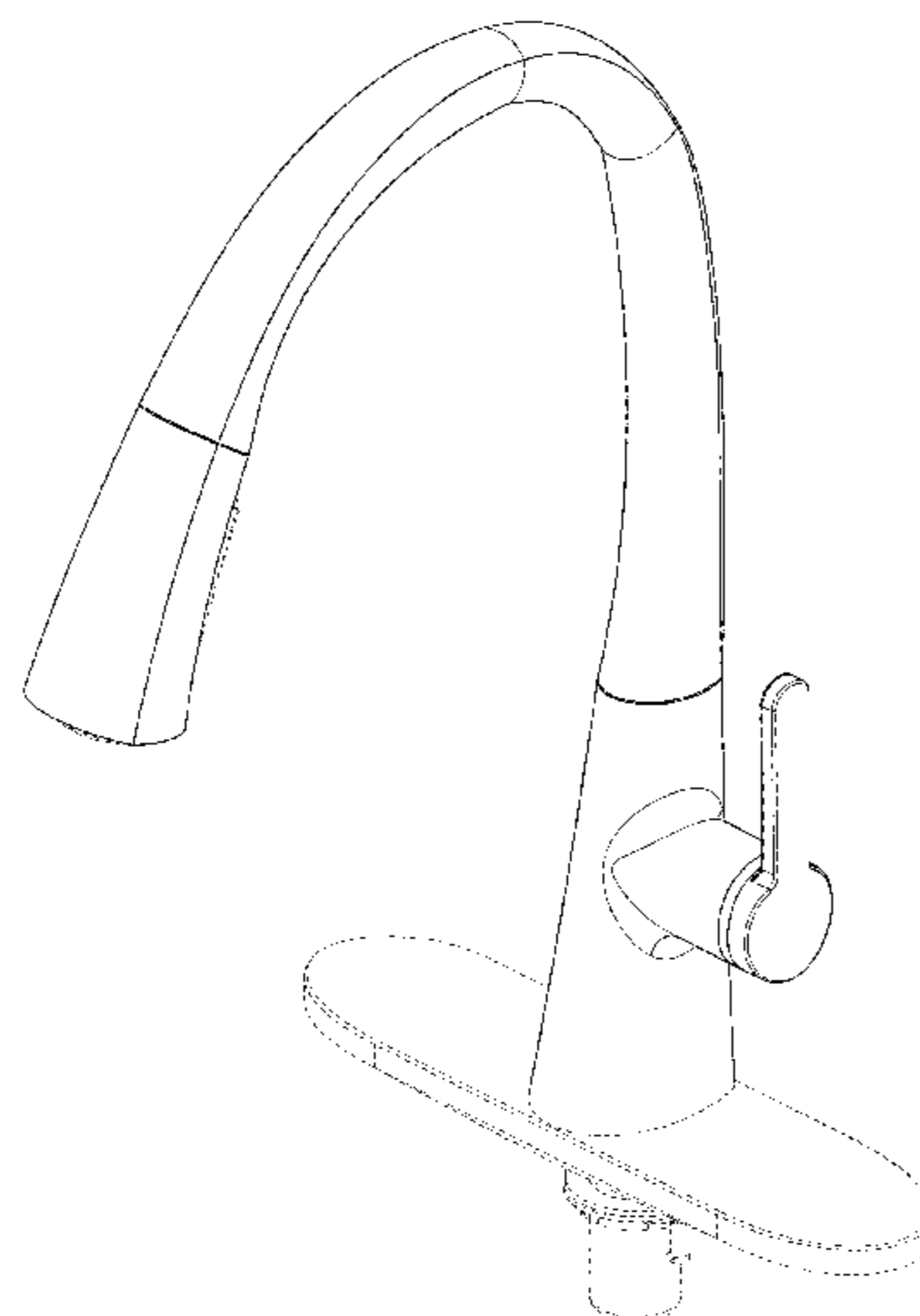
4,457,342	A	7/1984	Moen	
4,709,715	A	12/1987	Knight	
6,273,138	B1	8/2001	Yoney	
D479,309	S	9/2003	Haug et al.	
D520,114	S	5/2006	Starck	
7,389,796	B2	6/2008	Vilhelmsen	
D576,255	S	9/2008	Nobili	
D605,260	S	12/2009	Allard	
D607,544	S *	1/2010	Roy	D23/255
8,256,463	B2	9/2012	Farag et al.	
8,413,686	B2	4/2013	Ko	
8,869,821	B2	10/2014	Laera	
D723,661	S *	3/2015	Zhang	D23/238
D735,298	S	7/2015	Eads	
D736,898	S *	8/2015	Garland	D23/238

(Continued)

FIG. 1 is a front perspective view of a faucet in accordance with the present design;
FIG. 2 is a front elevational view thereof;
FIG. 3 is a rear elevational view thereof;
FIG. 4 is a right side elevational view thereof;
FIG. 5 is a left side elevational thereof;
FIG. 6 is a top plan view thereof;
FIG. 7 is a bottom plan view thereof; and,
FIG. 8 is a perspective view of the faucet shown with a sprayer of the faucet in a pulled down alternative configuration of use.

The broken lines shown are included for the purpose of illustrating portions of the faucet that form no part of the claimed design.

1 Claim, 8 Drawing Sheets



(56)

References Cited

U.S. PATENT DOCUMENTS

D754,820 S * 4/2016 Bahler D23/238
 D800,873 S 10/2017 Jewell
 D815,249 S * 4/2018 Kuang D23/238
 D857,844 S 8/2019 Levi
 D867,532 S * 11/2019 Liao D23/238
 D874,613 S * 2/2020 Park D23/238
 D881,353 S * 4/2020 Lazarini D23/255
 D895,068 S * 9/2020 Johnson D23/238
 D895,073 S * 9/2020 Johnson D23/255
 2007/0251590 A1 11/2007 Weinstein
 2016/0215482 A1 7/2016 Fourman et al.
 2018/0030700 A1 2/2018 Zindler et al.
 2018/0172264 A1* 6/2018 Heuer F21V 33/004
 2019/0078305 A1 3/2019 Lin et al.
 2020/0141097 A1* 5/2020 Tracy E03C 1/0404
 2020/0277765 A1* 9/2020 Beck F16K 31/607

FOREIGN PATENT DOCUMENTS

CN 200940723 Y 8/2007
 CN 103453197 B 7/2015
 CN 104896136 A 9/2015
 CN 204922092 U 12/2015

CN 206616624 U 11/2017
 CN 109340429 A 2/2019
 EP 2896759 A1 7/2015
 WO 8706861 A1 11/1987

OTHER PUBLICATIONS

U.S. Appl. No. 29/551,955, filed Jan. 19, 2016 in the name of ICG Licensing LLC.
 U.S. Appl. No. 29/551,697, filed Jan. 15, 2016 in the name of ICG Licensing LLC.
 U.S. Appl. No. 29/701,757, filed Aug. 14, 2019 in the name of Kraus USA, Inc.
 U.S. Appl. No. 29/701,090, filed Aug. 8, 2019 in the name of Kraus USA, Inc.
 U.S. Appl. No. 29/701,758, filed Aug. 14, 2019 in the name of Kraus USA, Inc.
 U.S. Appl. No. 29/701,571, filed Aug. 13, 2019 in the name of Kraus USA, Inc.
 U.S. Appl. No. 29/701,573, filed Aug. 13, 2019 in the name of Kraus USA, Inc.
 U.S. Appl. No. 29/701,574, filed Aug. 13, 2019 in the name of Kraus USA, Inc.

* cited by examiner

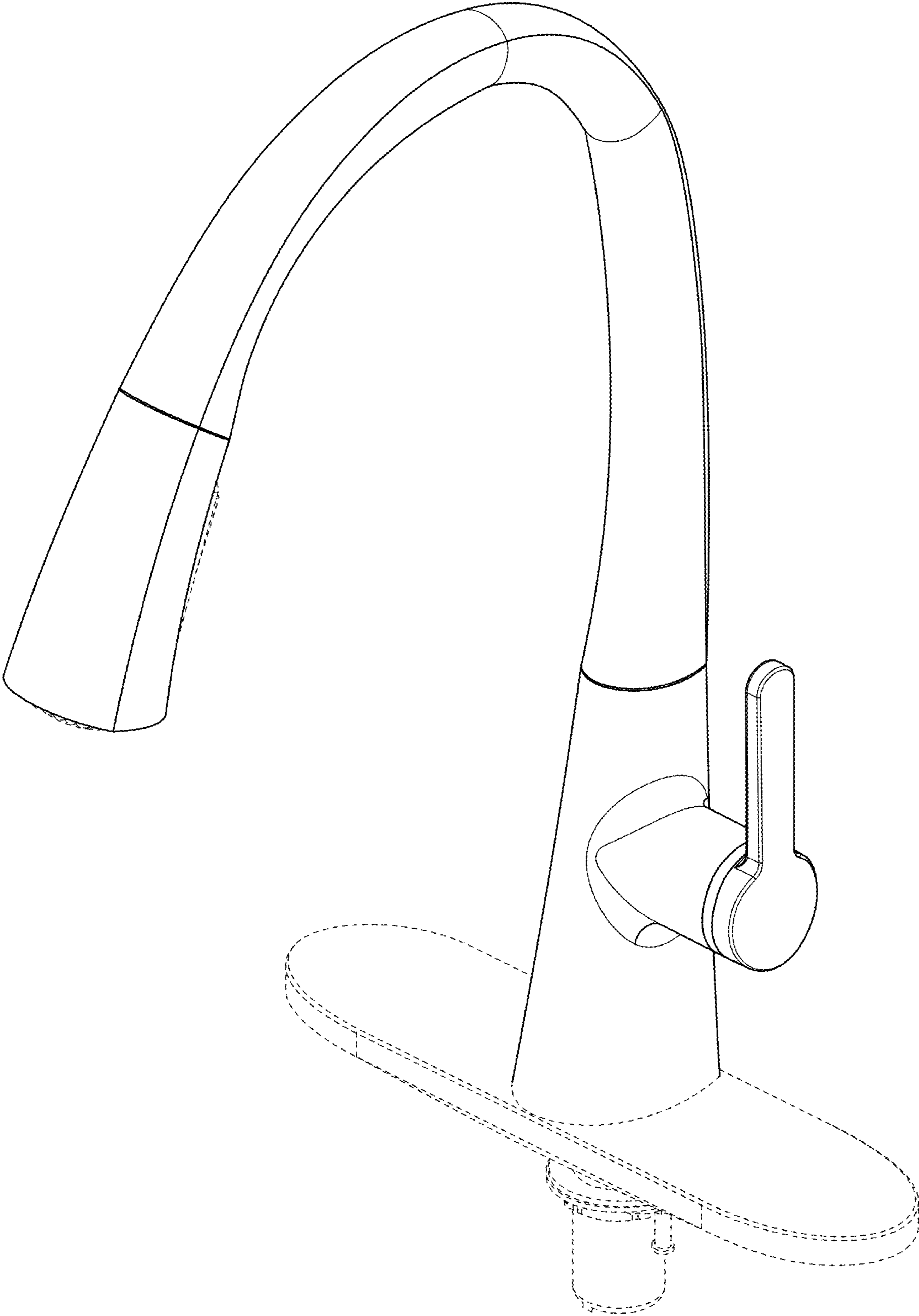


FIG. 1

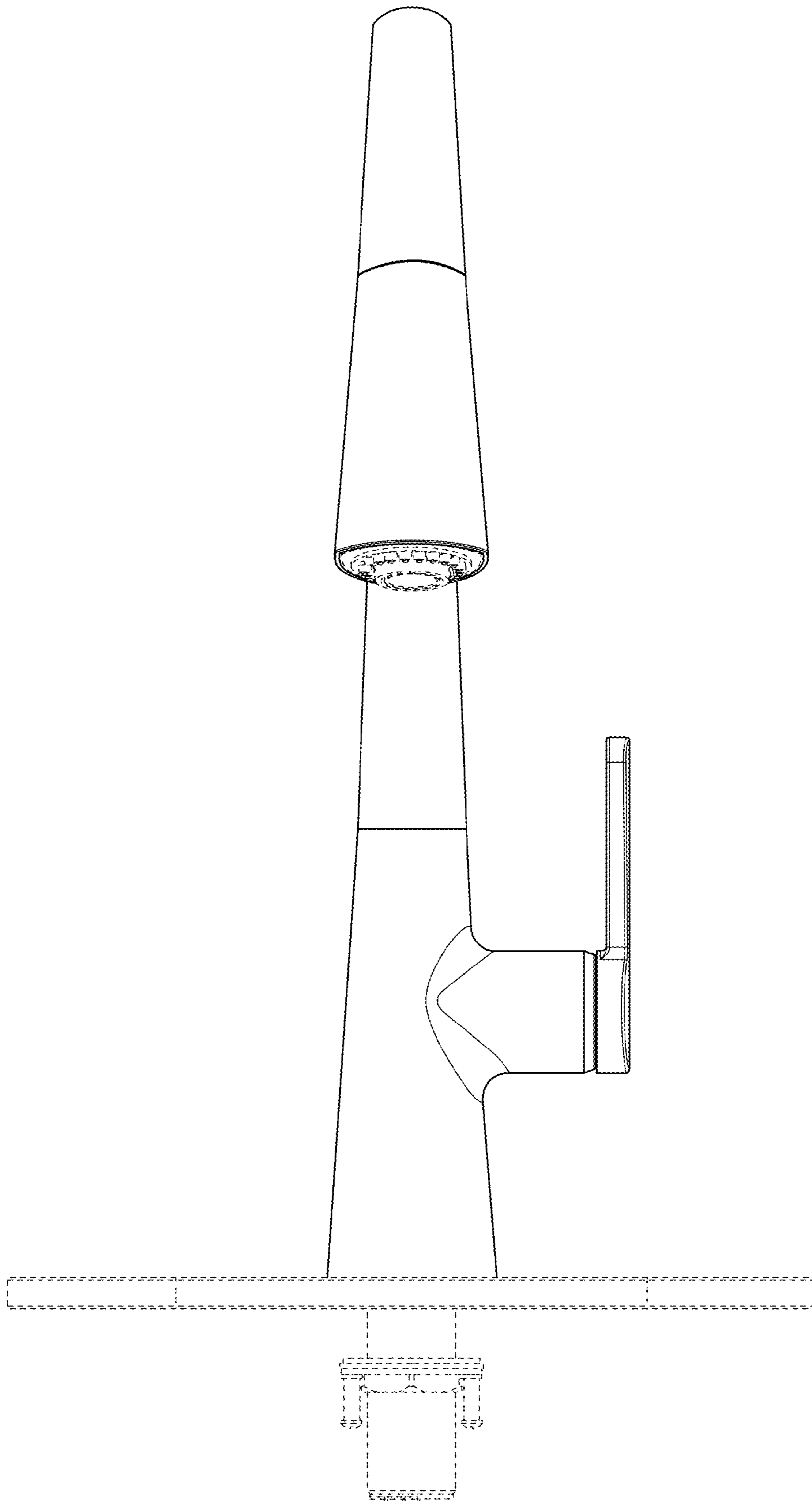


FIG. 2

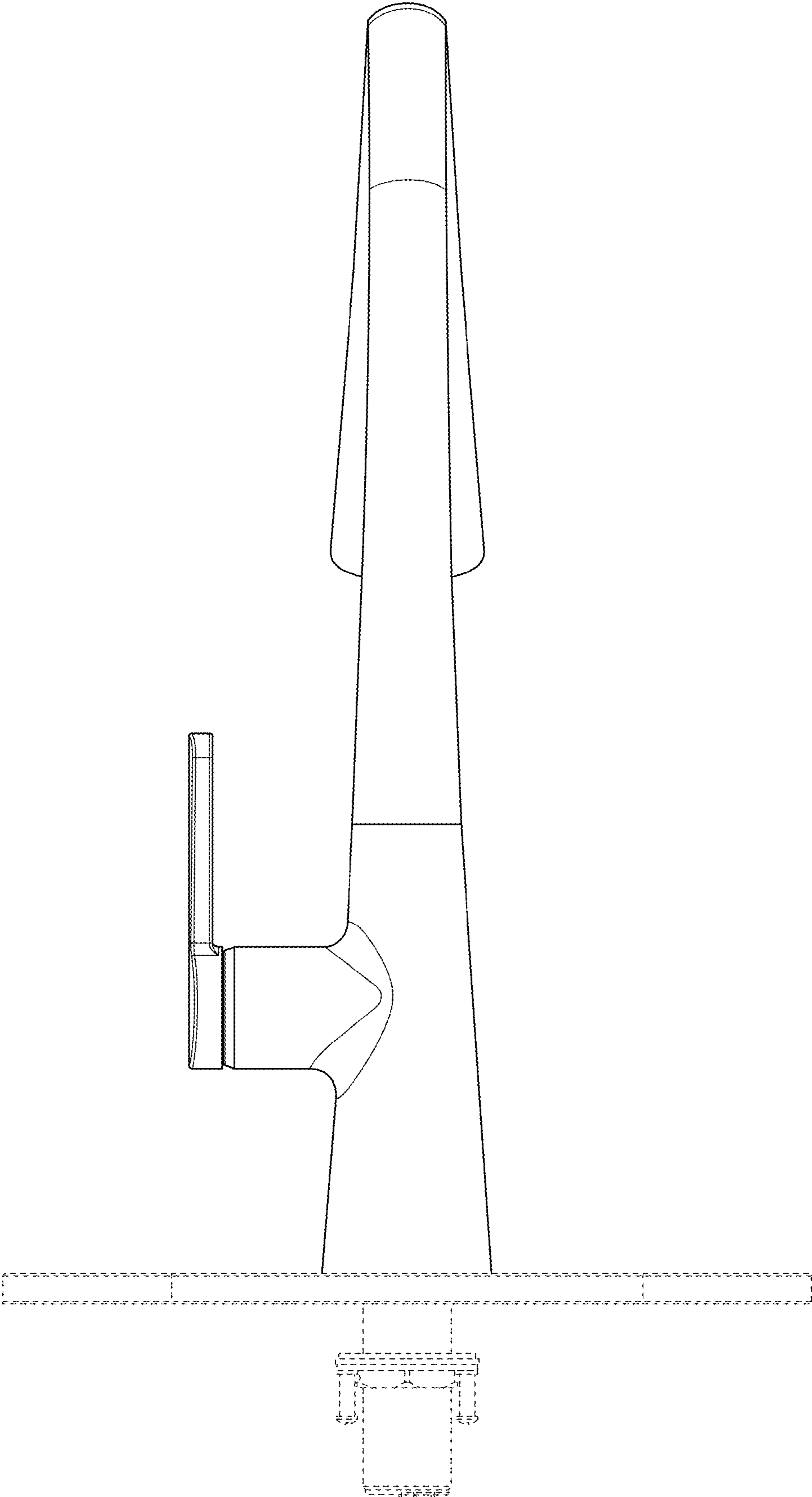


FIG. 3

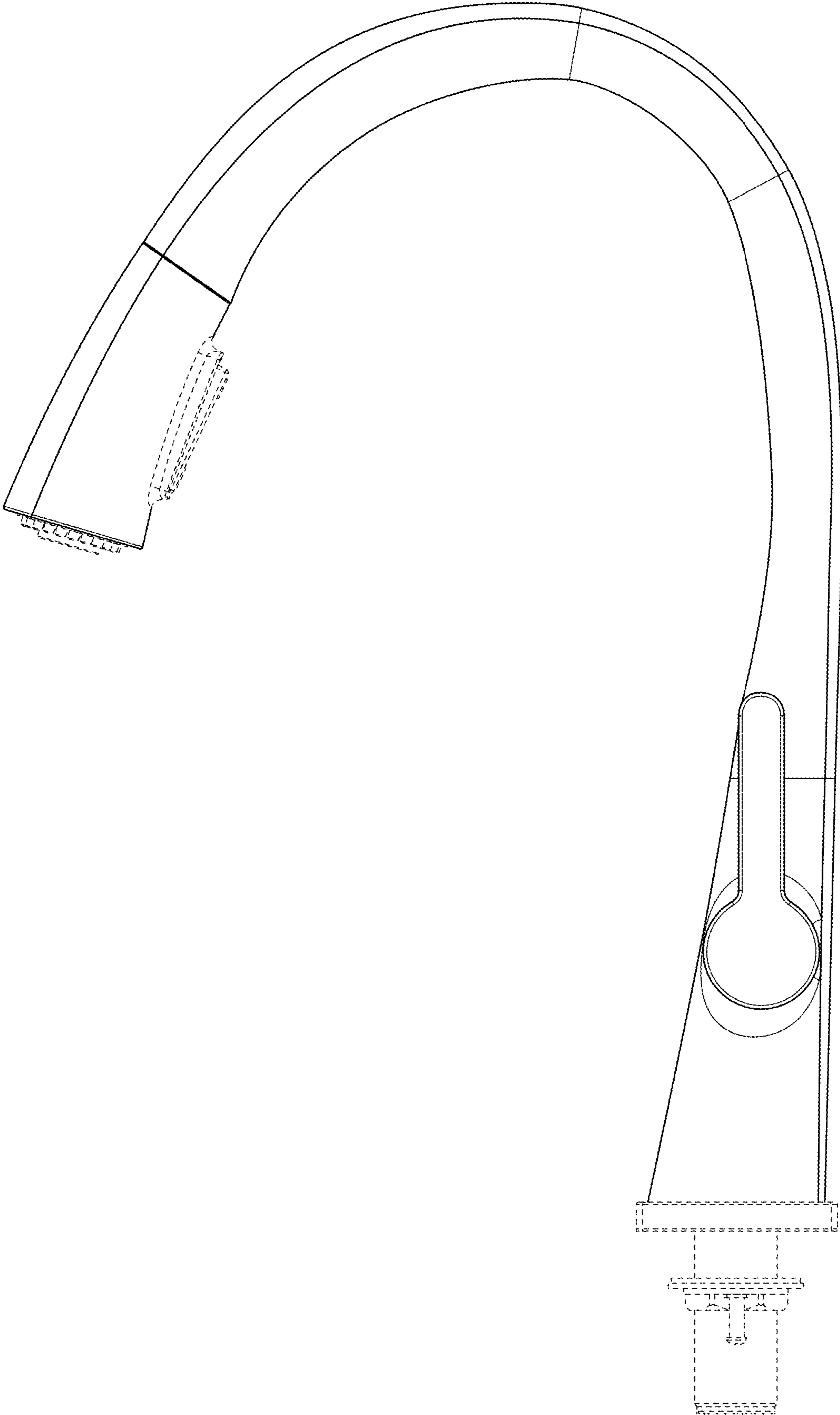


FIG. 4

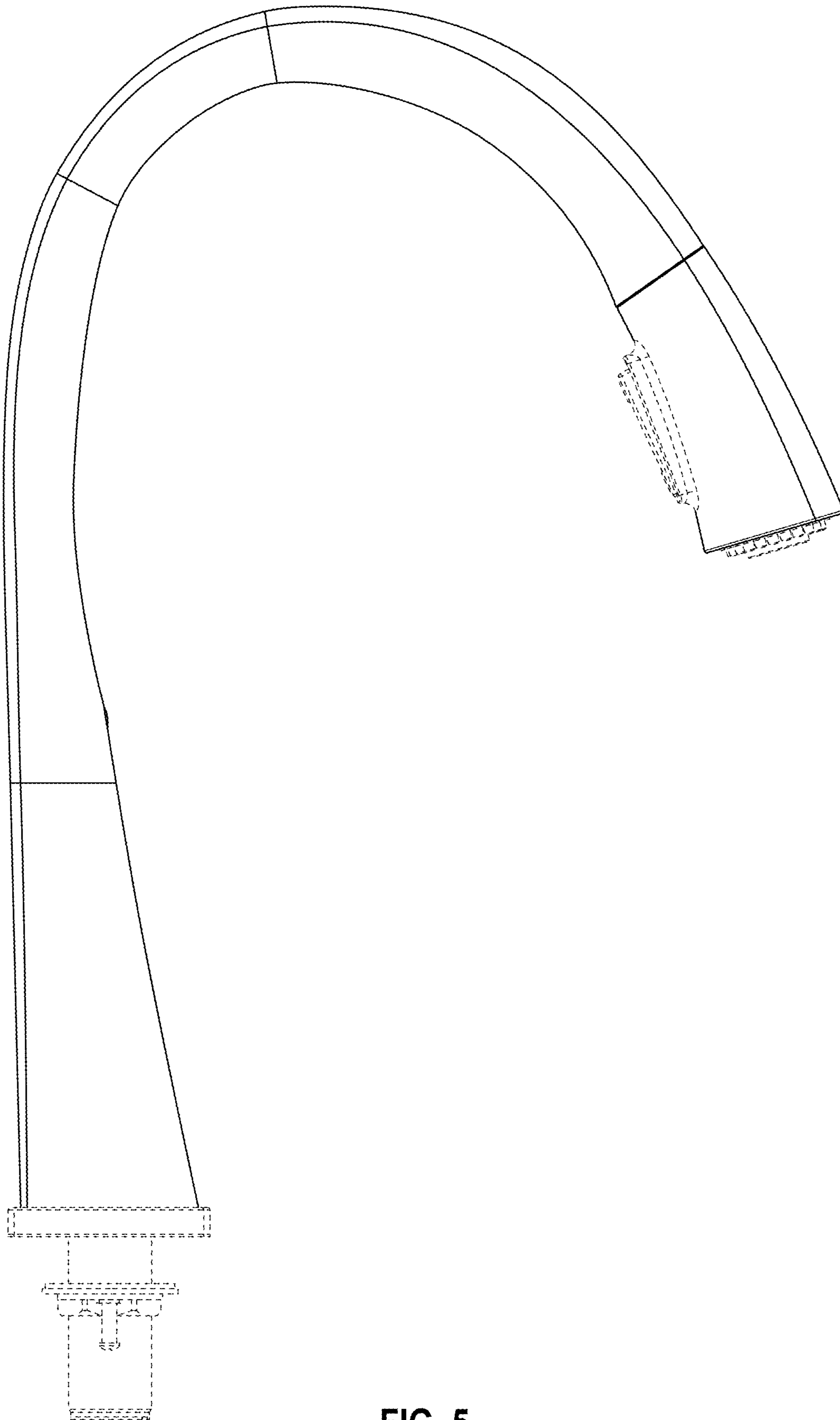


FIG. 5

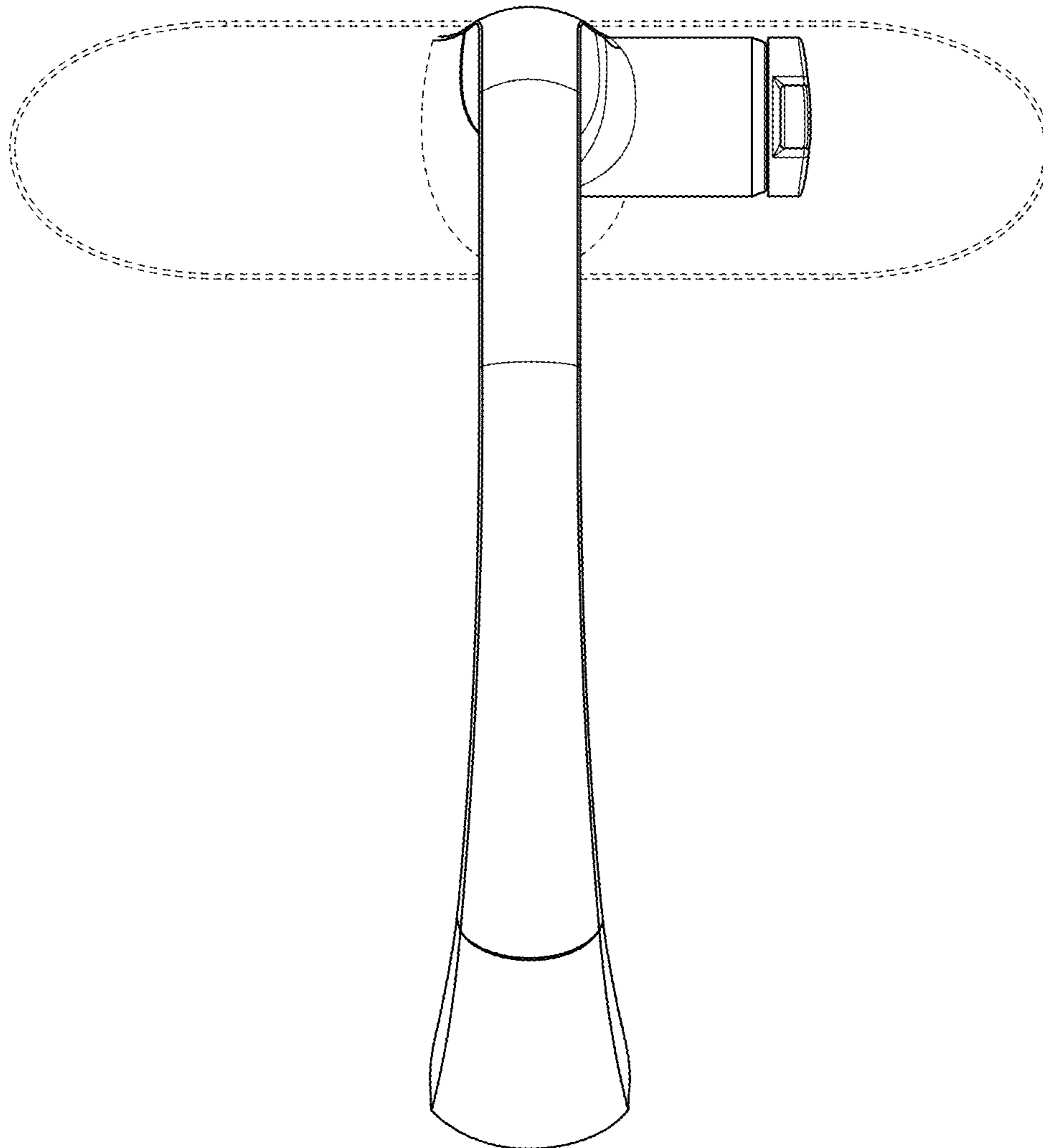


FIG. 6

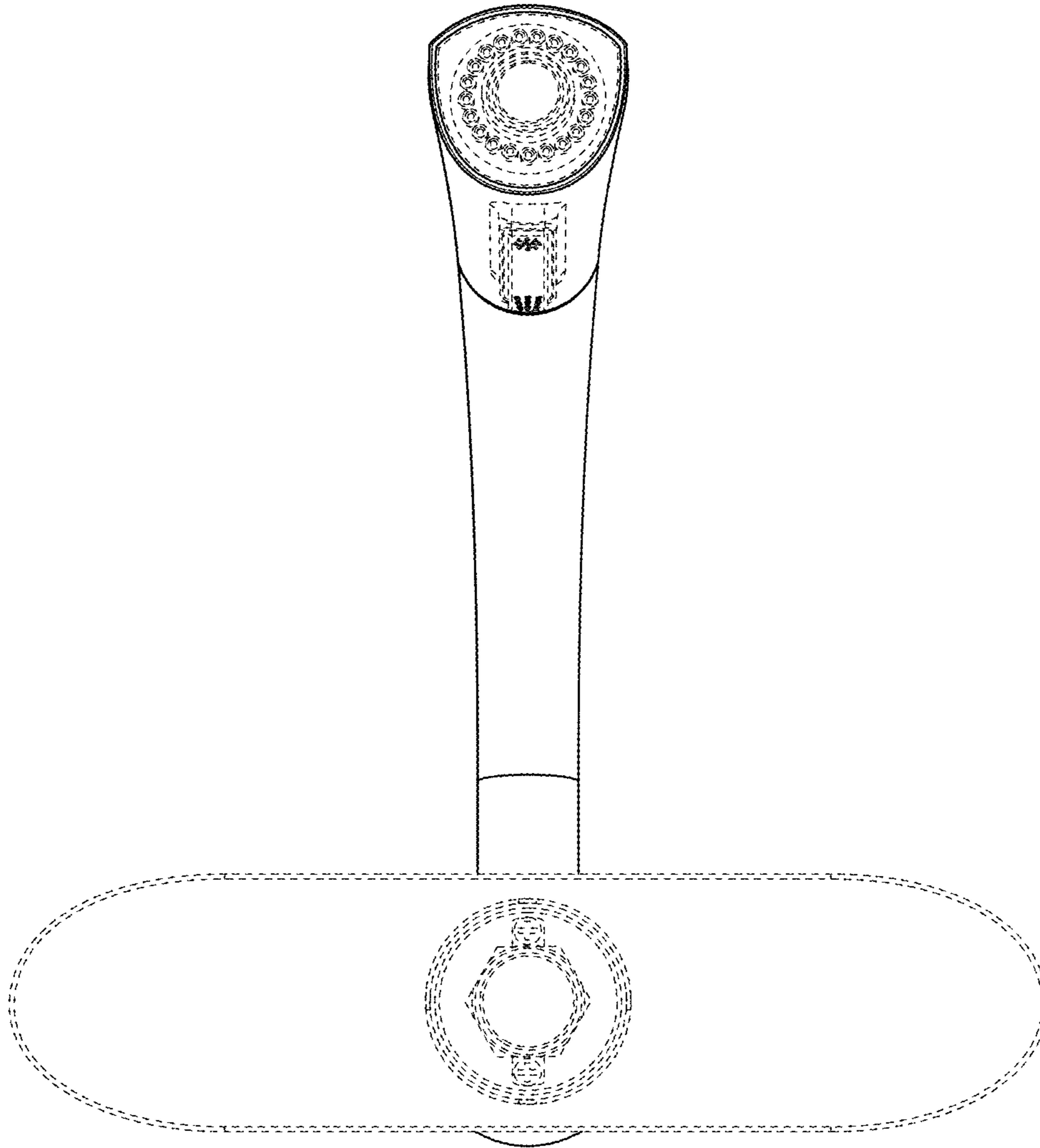


FIG. 7

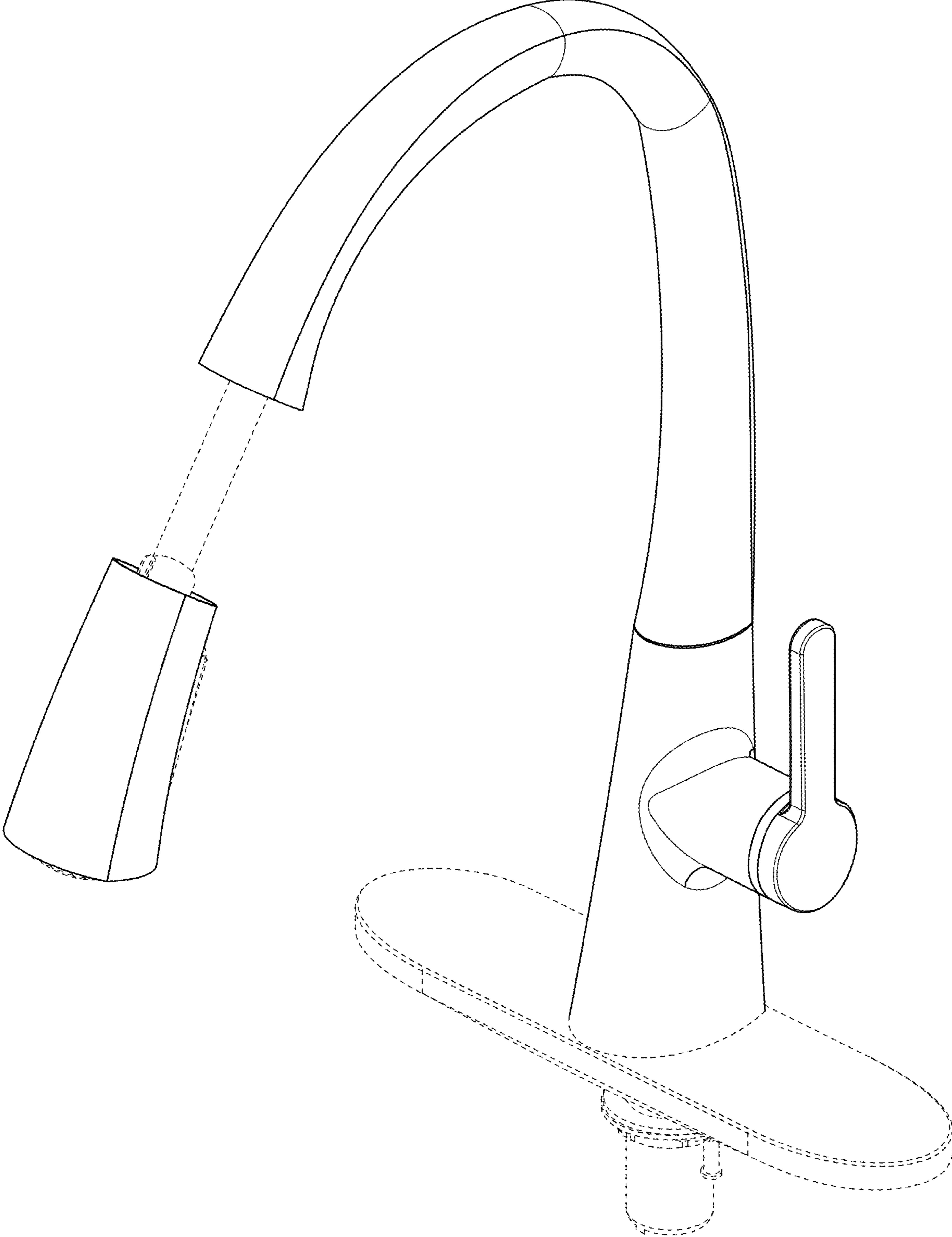


FIG. 8