



US00D914144S

(12) **United States Design Patent** (10) **Patent No.:** **US D914,144 S**  
**Levi** (45) **Date of Patent:** **\*\* Mar. 23, 2021**

(54) **FAUCET**  
(71) Applicant: **ICG Licensing LLC**, Port Washington, NY (US)  
(72) Inventor: **Russell Levi**, Port Washington, NY (US)  
(73) Assignee: **KRAUS USA PLUMBING LLC**, Port Washington, NY (US)

D835,237 S \* 12/2018 Ziemann ..... D23/238  
D849,202 S \* 5/2019 Zhang ..... D23/238  
D855,154 S \* 7/2019 Williams ..... D23/238  
(Continued)

**FOREIGN PATENT DOCUMENTS**

CN 2630326 Y 8/2004  
CN 2791419 Y 6/2006  
(Continued)

(\*\*) Term: **15 Years**

**OTHER PUBLICATIONS**

(21) Appl. No.: **29/701,574**

U.S. Appl. No. 29/551,955, filed Jan. 19, 2016 in the name of ICG Licensing LLC.

(22) Filed: **Aug. 13, 2019**

(Continued)

(51) **LOC (13) Cl.** ..... **23-01**

(52) **U.S. Cl.**  
USPC ..... **D23/238**

(58) **Field of Classification Search**  
USPC ..... D23/238, 239, 240, 241, 242, 243, 249, D23/250, 255, 256, 257; D6/524  
CPC ..... E03C 1/04; E03C 1/0401; E03C 1/0402; E03C 1/0404; E03C 1/0405; E03C 1/0412; Y10T 137/9464  
See application file for complete search history.

*Primary Examiner* — John A Voytek  
(74) *Attorney, Agent, or Firm* — Carter, Deluca & Farrell LLP

(57) **CLAIM**

The ornamental design for a faucet, as shown and described.

**DESCRIPTION**

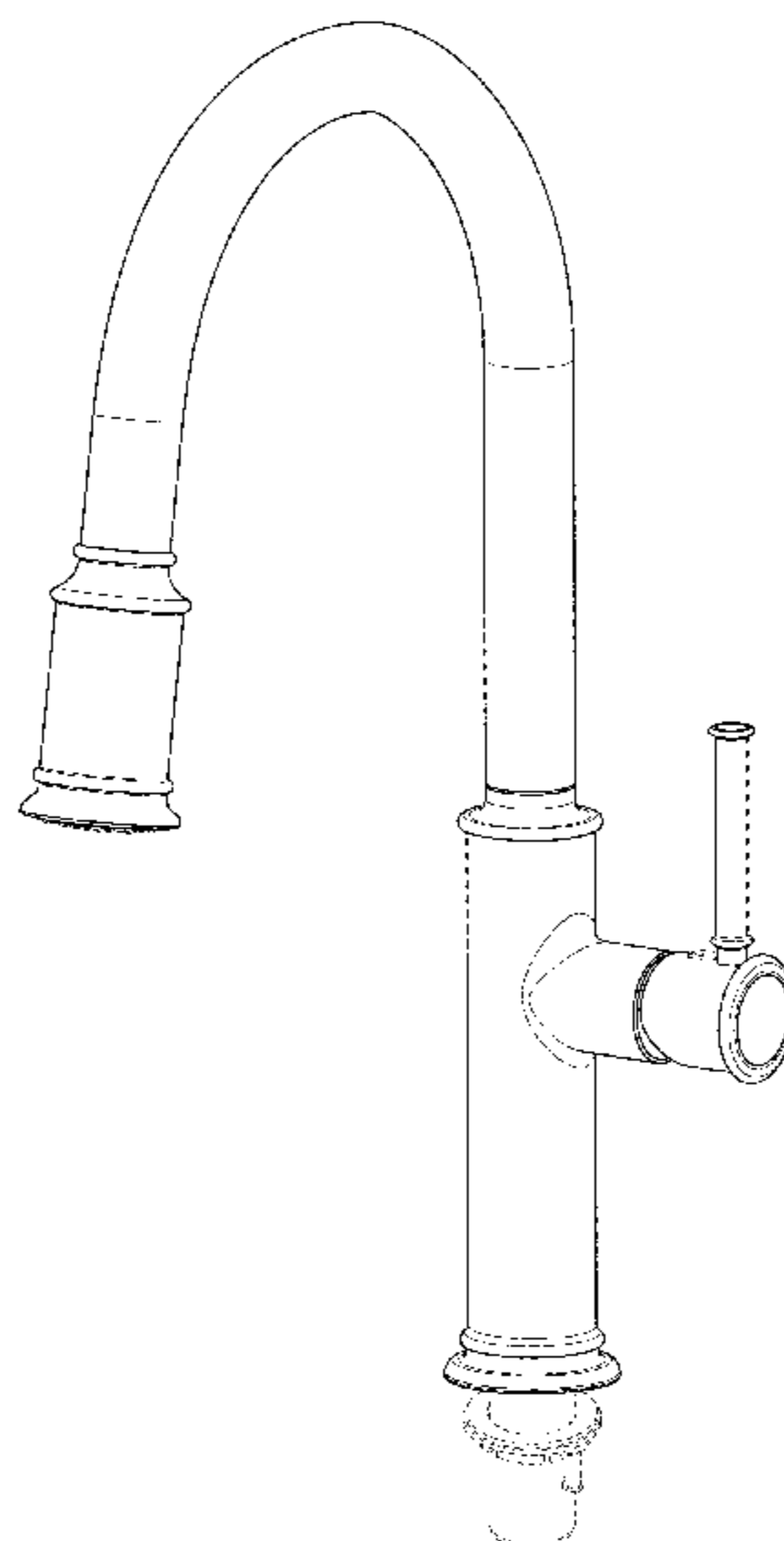
(56) **References Cited**

**U.S. PATENT DOCUMENTS**

4,457,342 A 7/1984 Moen  
4,709,715 A 12/1987 Knight  
6,273,138 B1 8/2001 Yoney  
D479,309 S 9/2003 Haug et al.  
D520,114 S 5/2006 Starck  
7,389,796 B2 6/2008 Vilhelmsen  
D576,255 S 9/2008 Nobili  
D605,260 S 12/2009 Allard  
8,256,463 B2 9/2012 Farag et al.  
8,413,686 B2 4/2013 Ko  
8,869,821 B2 10/2014 Laera  
D735,298 S 7/2015 Eads  
D800,873 S 10/2017 Jewell  
D807,476 S \* 1/2018 Haug ..... D23/238

FIG. 1 is a front perspective view of a faucet in accordance with the present design;  
FIG. 2 is a front elevational view thereof;  
FIG. 3 is a rear elevational view thereof;  
FIG. 4 is a right side elevational view thereof;  
FIG. 5 is a left side elevational thereof;  
FIG. 6 is a top plan view thereof;  
FIG. 7 is a bottom plan view thereof; and,  
FIG. 8 is a perspective view of the faucet shown with a sprayer of the faucet in a pulled down configuration.  
The broken lines shown are included for the purpose of illustrating a portion of the faucet that form no part of the claimed design.

**1 Claim, 8 Drawing Sheets**



(56)

References Cited

U.S. PATENT DOCUMENTS

D857,844 S 8/2019 Levi  
D869,610 S \* 12/2019 Garland ..... D23/238  
D870,852 S \* 12/2019 Eads ..... D23/238  
D871,547 S \* 12/2019 Eads ..... D23/238  
2007/0251590 A1 11/2007 Weinstein  
2016/0215482 A1 7/2016 Fourman et al.  
2016/0355423 A1\* 12/2016 Liu ..... C02F 1/78  
2017/0152649 A1\* 6/2017 Chang ..... E03C 1/08  
2018/0030700 A1 2/2018 Zindler et al.  
2019/0078305 A1 3/2019 Lin et al.

FOREIGN PATENT DOCUMENTS

CN 200940723 Y 8/2007  
CN 103453197 B 7/2015  
CN 104896136 A 9/2015  
CN 204922092 U 12/2015  
CN 206616624 U 11/2017

CN 109340429 A 2/2019  
EP 2896759 A1 7/2015  
WO 8706861 A1 11/1987

OTHER PUBLICATIONS

U.S. Appl. No. 29/551,697, filed Jan. 15, 2016 in the name of ICG Licensing LLC.  
U.S. Appl. No. 29/701,754, filed Aug. 14, 2019 in the name of Kraus USA, Inc.  
U.S. Appl. No. 29/701,757, filed Aug. 14, 2019 in the name of Kraus USA, Inc.  
U.S. Appl. No. 29/701,090, filed Aug. 8, 2019 in the name of Kraus USA, Inc.  
U.S. Appl. No. 29/701,758, filed Aug. 14, 2019 in the name of Kraus USA, Inc.  
U.S. Appl. No. 29/701,571, filed Aug. 13, 2019 in the name of Kraus USA, Inc.  
U.S. Appl. No. 29/701,573, filed Aug. 13, 2019 in the name of Kraus USA, Inc.

\* cited by examiner

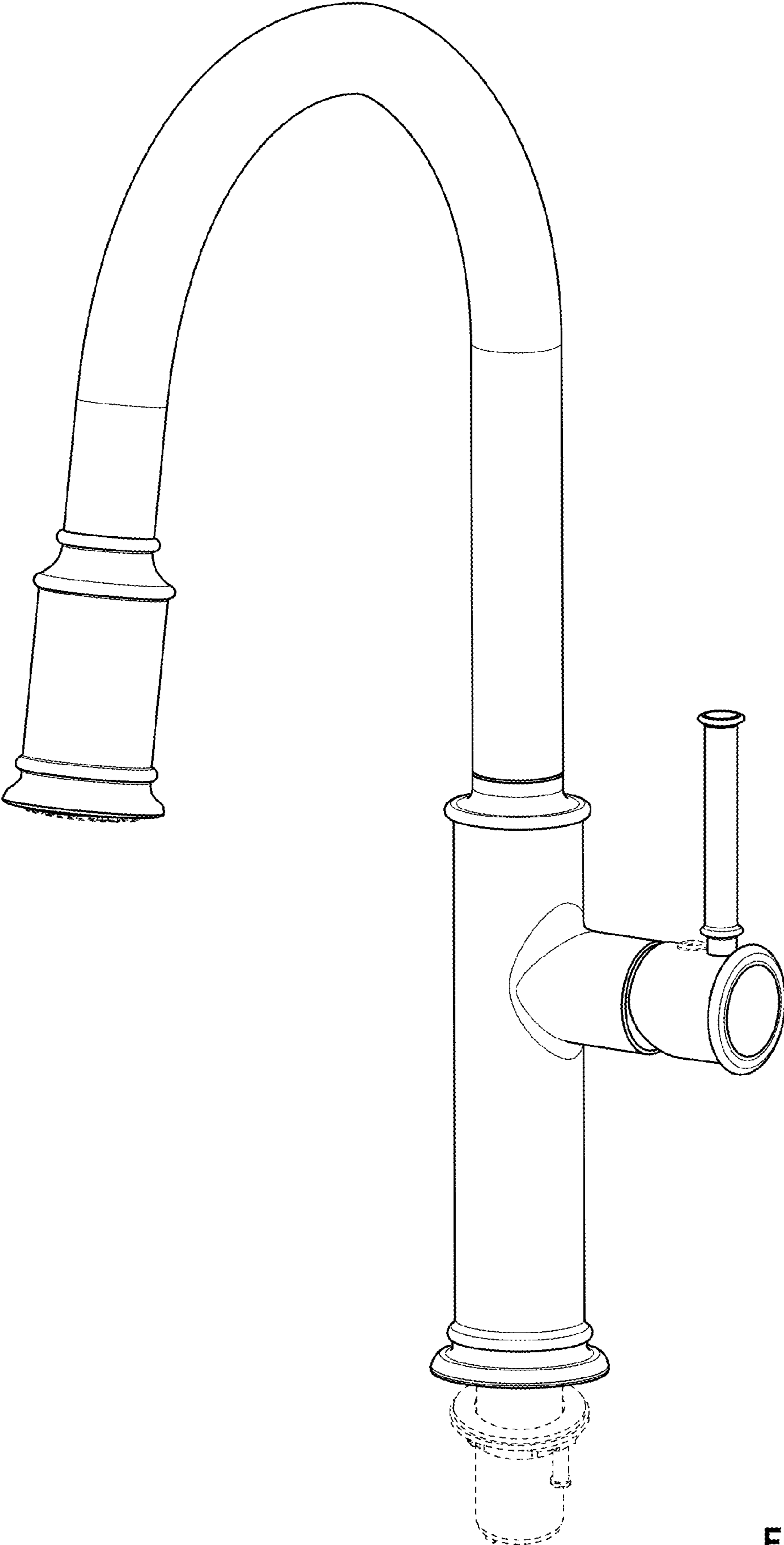


FIG. 1

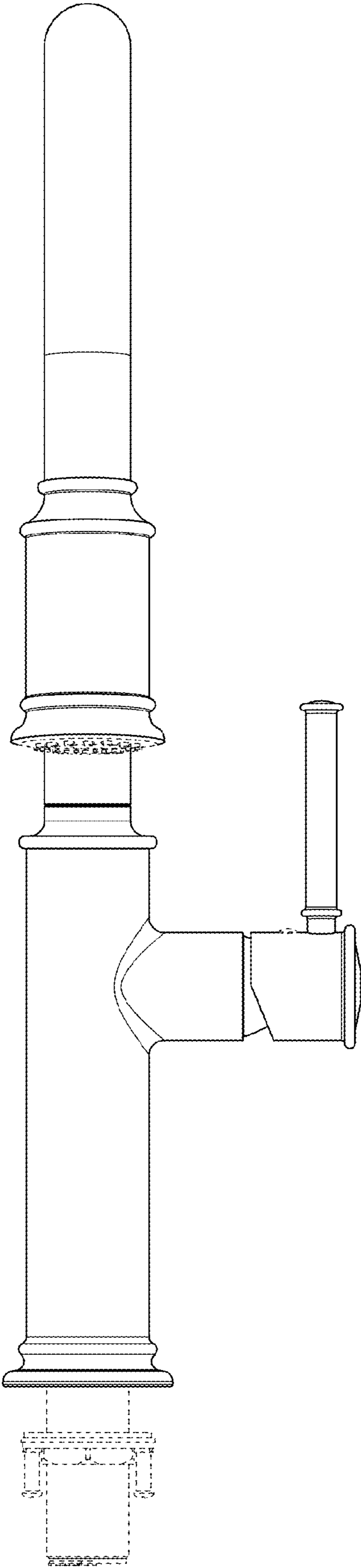


FIG. 2

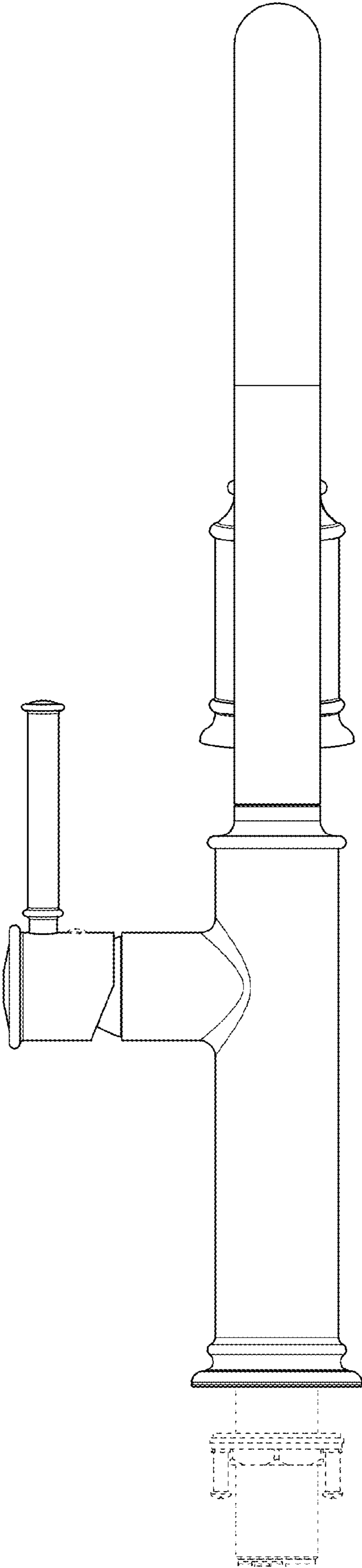


FIG. 3

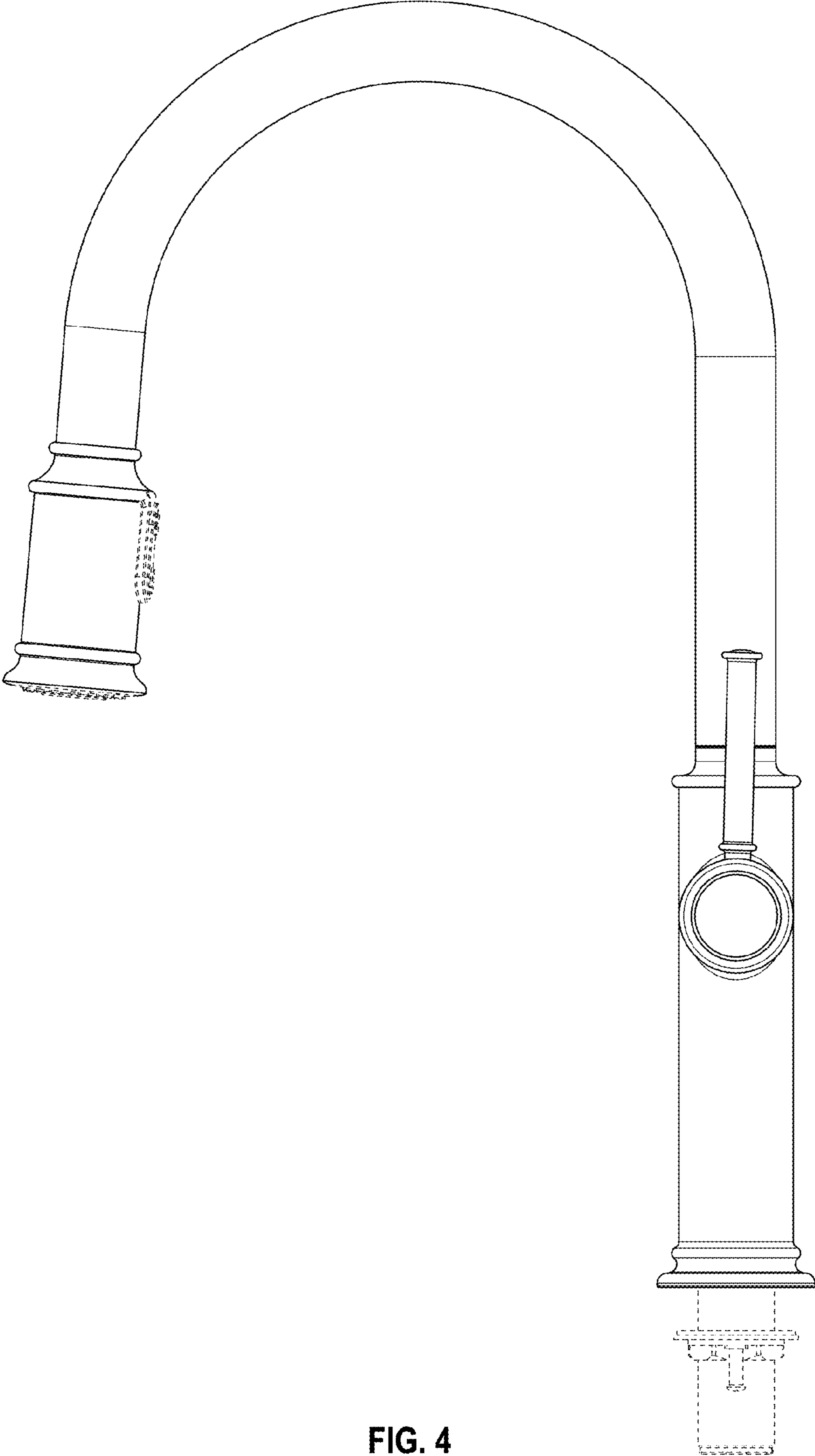


FIG. 4

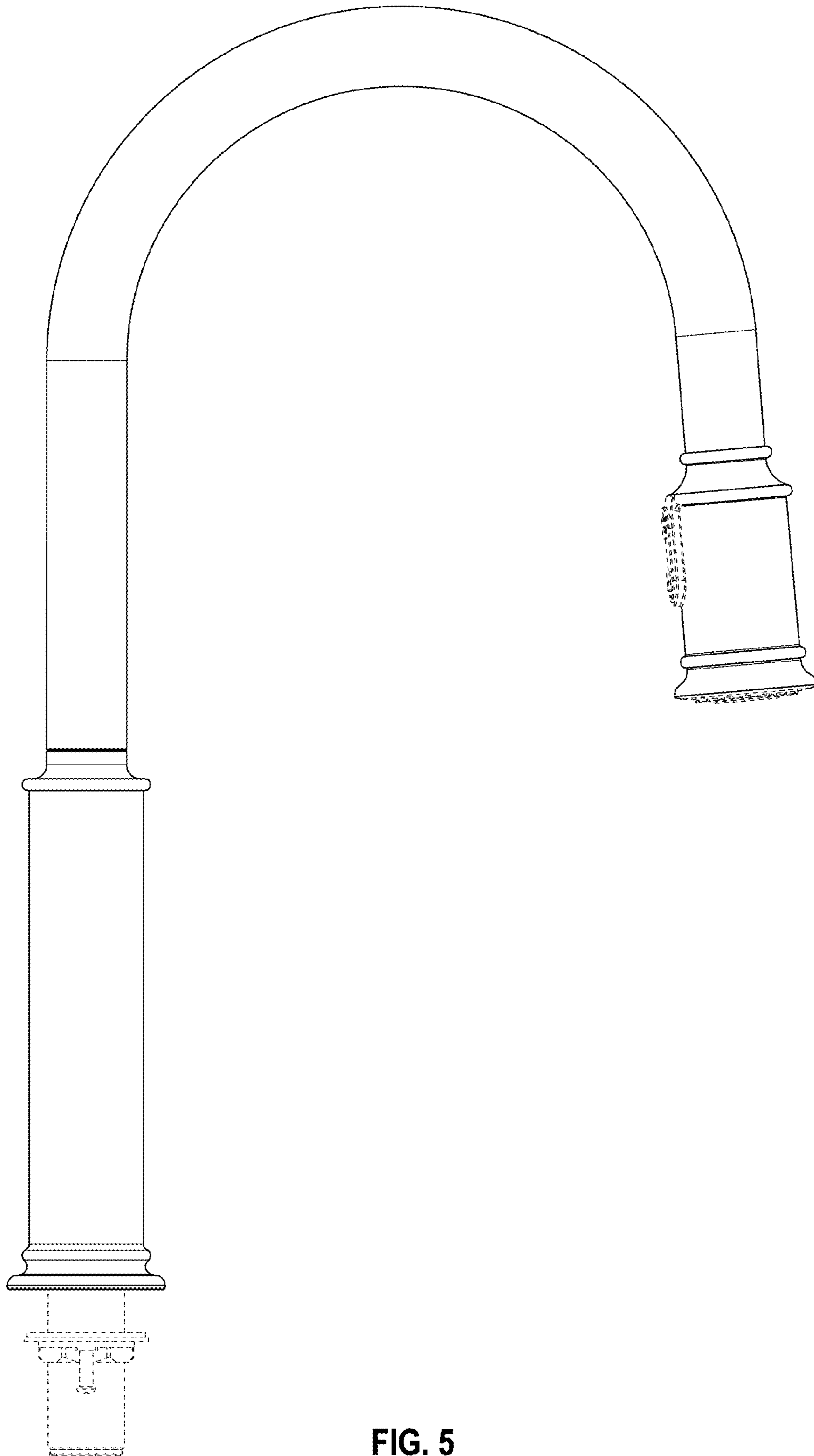


FIG. 5

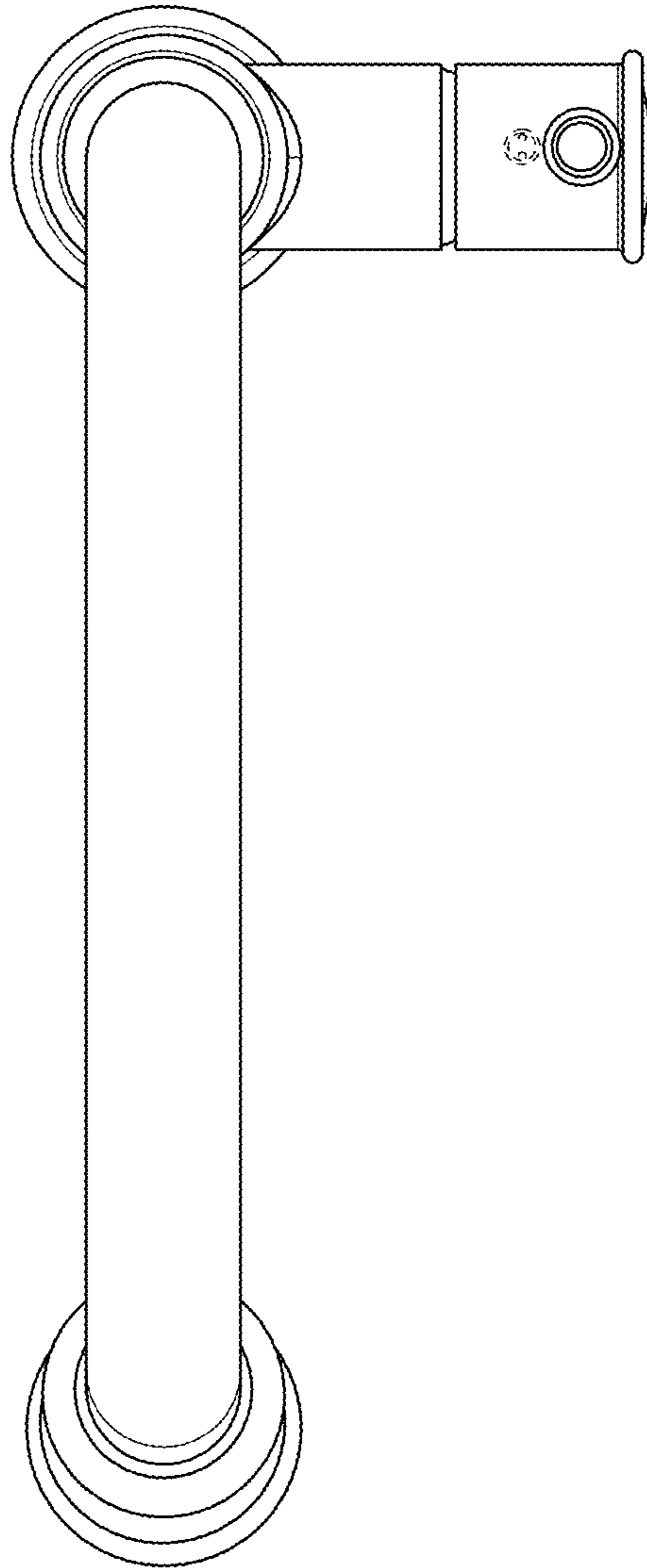


FIG. 6



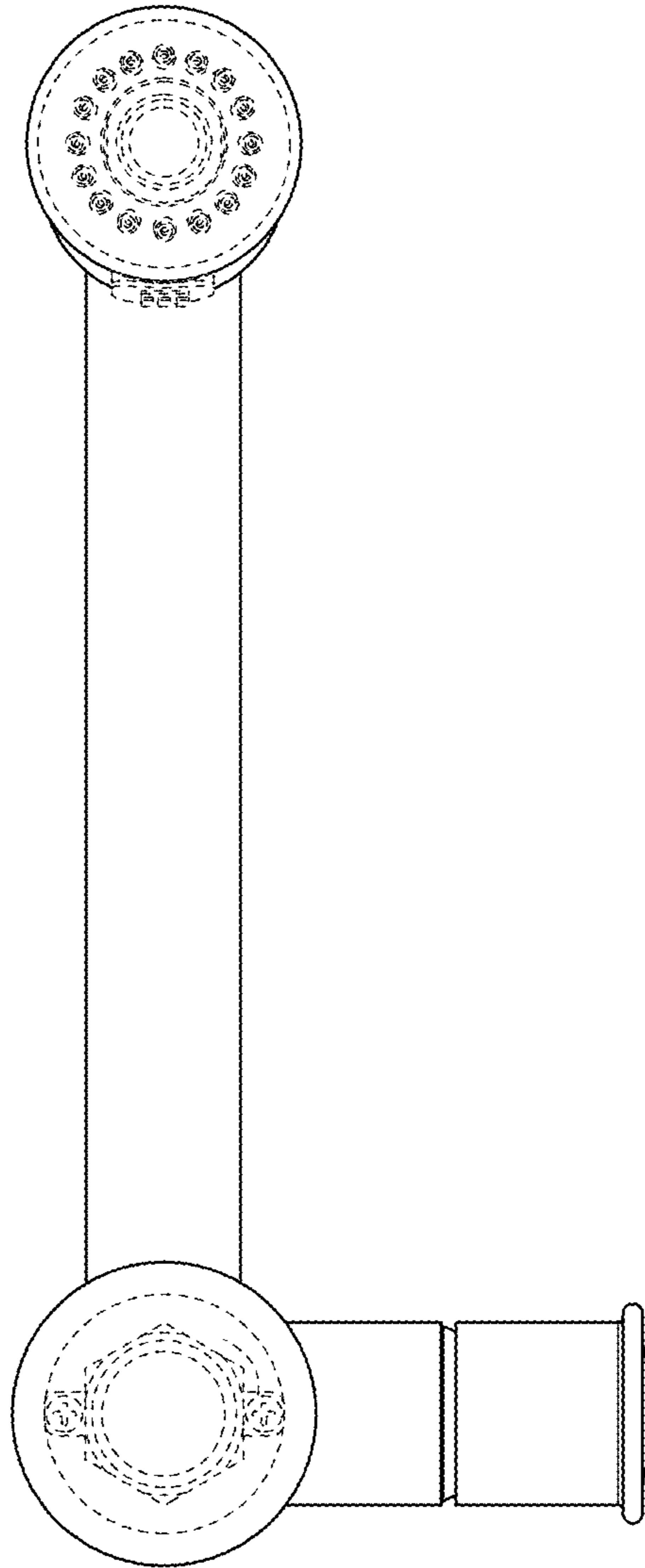


FIG. 7

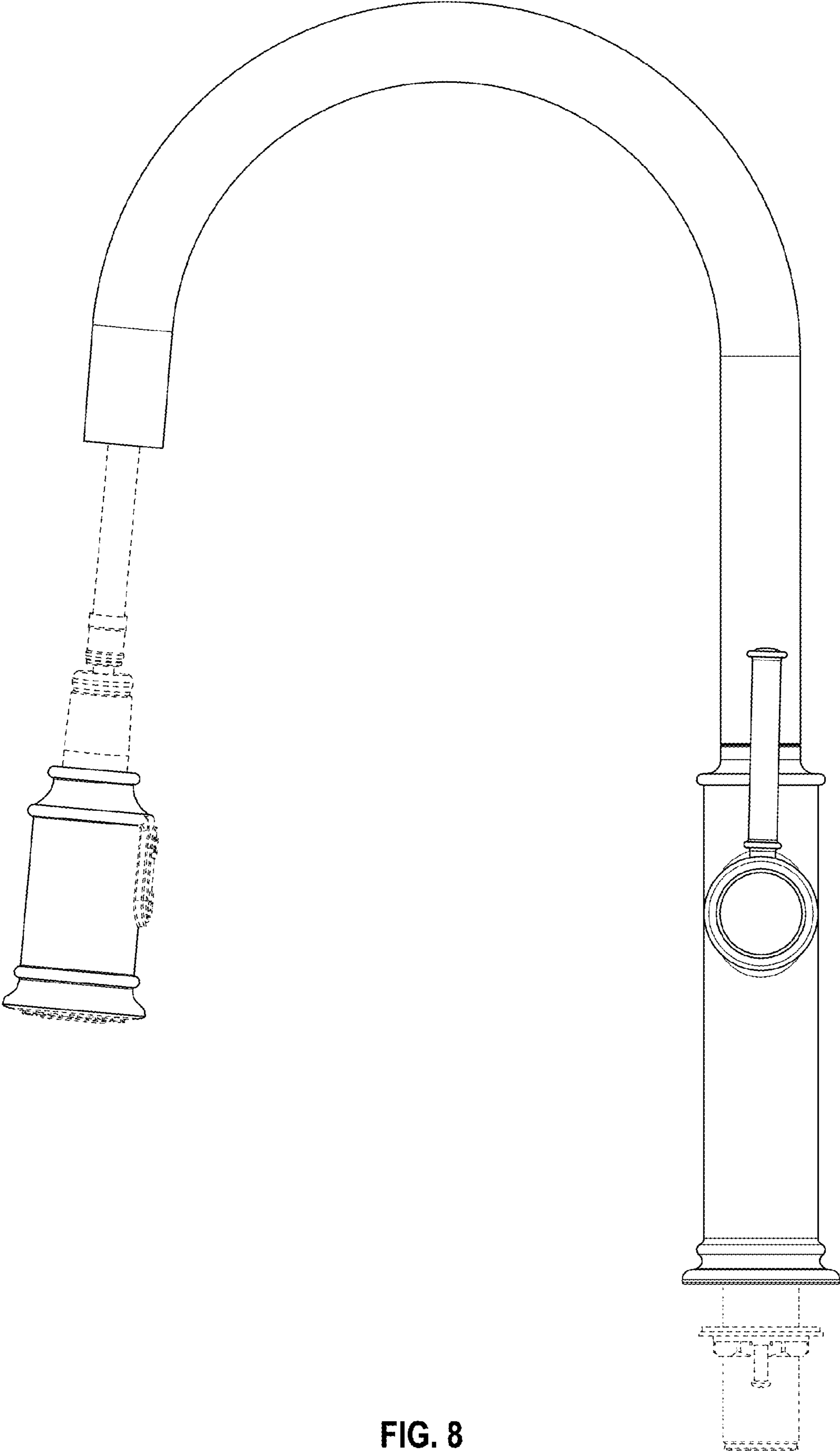


FIG. 8