



US00D914143S

(12) **United States Design Patent** (10) **Patent No.:** **US D914,143 S**
Levi (45) **Date of Patent:** **** Mar. 23, 2021**

(54) **FAUCET**
(71) Applicant: **ICG Licensing LLC**, Port Washington, NY (US)
(72) Inventor: **Russell Levi**, Port Washington, NY (US)
(73) Assignee: **KRAUS USA PLUMBING LLC**, Port Washington, NY (US)

D786,404 S * 5/2017 Kaule D23/238
D800,873 S 10/2017 Jewell
D802,720 S * 11/2017 Haug D23/238
(Continued)

FOREIGN PATENT DOCUMENTS

CN 2630326 Y 8/2004
CN 2791419 Y 6/2006
(Continued)

(**) Term: **15 Years**

OTHER PUBLICATIONS

(21) Appl. No.: **29/701,090**

U.S. Appl. No. 29/551,955, filed Jan. 19, 2016 in the name of ICG Licensing LLC.

(22) Filed: **Aug. 8, 2019**

(Continued)

(51) **LOC (13) Cl.** **23-01**

(52) **U.S. Cl.**
USPC **D23/238**

(58) **Field of Classification Search**
USPC D23/238, 239, 240, 241, 242, 243, 249,
D23/250, 255, 256, 257; D6/524
CPC E03C 1/04; E03C 1/0401; E03C 1/0402;
E03C 1/0404; E03C 1/0405; E03C
1/0412; Y10T 137/9464
See application file for complete search history.

Primary Examiner — John A Voytek
(74) *Attorney, Agent, or Firm* — Carter, Deluca & Farrell LLP

(57) **CLAIM**

The ornamental design for a faucet, as shown and described.

DESCRIPTION

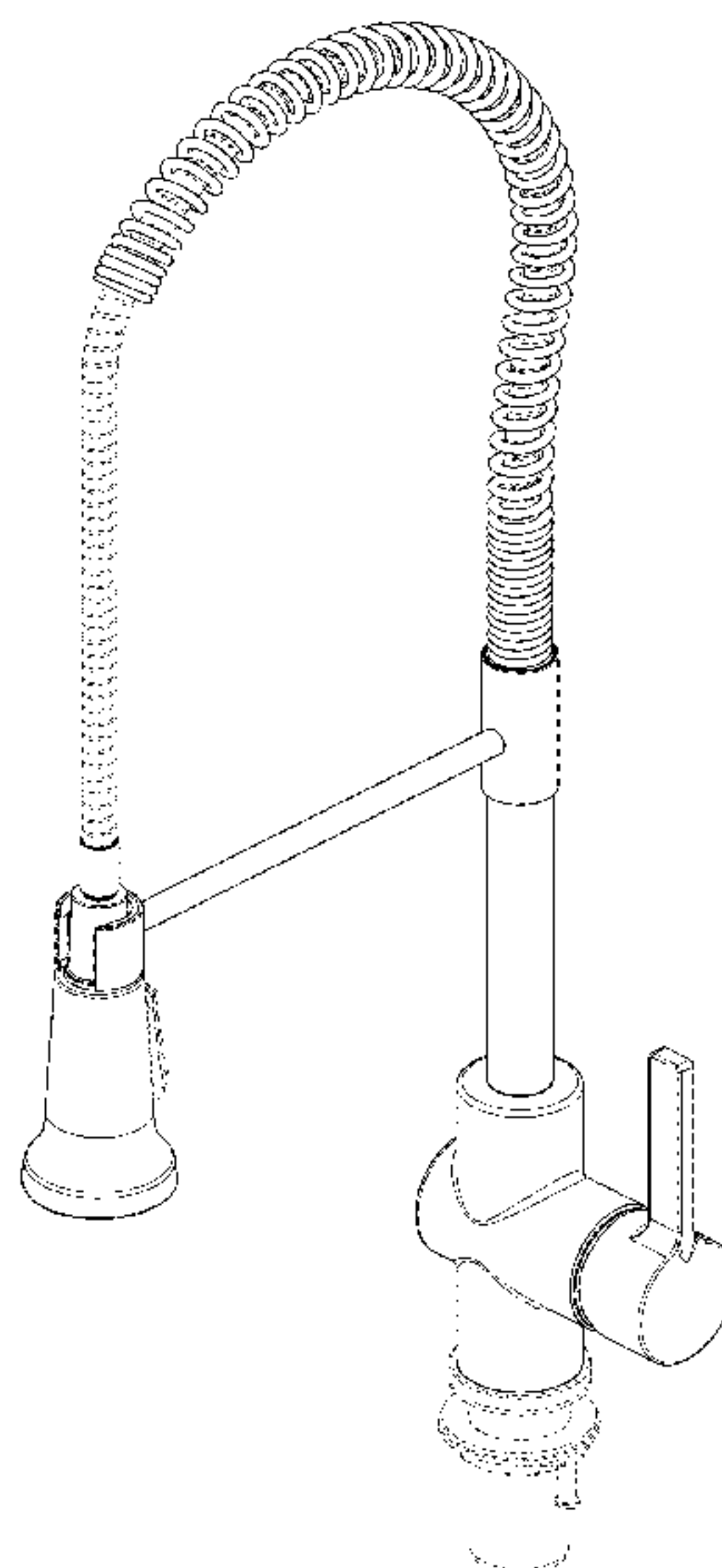
(56) **References Cited**

U.S. PATENT DOCUMENTS

4,457,342 A 7/1984 Moen
4,709,715 A 12/1987 Knight
6,273,138 B1 8/2001 Yoney
D479,309 S 9/2003 Haug et al.
D520,114 S 5/2006 Starck
D534,620 S * 1/2007 Zhou D23/238
D534,990 S * 1/2007 Zhou D23/238
7,389,796 B2 6/2008 Vilhelmsen
D576,255 S 9/2008 Nobili
D605,260 S 12/2009 Allard
8,256,463 B2 9/2012 Farag et al.
8,413,686 B2 4/2013 Ko
8,869,821 B2 10/2014 Laera
D735,298 S 7/2015 Eads

FIG. 1 is a front perspective view of a faucet in accordance with the present design;
FIG. 2 is a front elevational view thereof;
FIG. 3 is a rear elevational view thereof;
FIG. 4 is a right side elevational view thereof;
FIG. 5 is a left side elevational thereof;
FIG. 6 is a top plan view thereof;
FIG. 7 is a bottom plan view thereof; and,
FIG. 8 is a perspective view of the faucet shown with a sprayer of the faucet in a pulled down configuration.
The broken lines shown are included for the purpose of illustrating a portion of the faucet that form no part of the claimed design.

1 Claim, 8 Drawing Sheets



(56)

References Cited

U.S. PATENT DOCUMENTS

D844,109 S * 3/2019 Rexach D23/238
D857,844 S 8/2019 Levi
D861,832 S * 10/2019 Zeng D23/238
D862,648 S * 10/2019 Zeng D23/238
D862,652 S * 10/2019 Zeng D23/238
2007/0251590 A1 11/2007 Weinstein
2016/0215482 A1 7/2016 Fourman et al.
2018/0030700 A1 2/2018 Zindler et al.
2019/0078305 A1 3/2019 Lin et al.
2020/0048879 A1* 2/2020 Hadfield E03C 1/0404

FOREIGN PATENT DOCUMENTS

CN 200940723 Y 8/2007
CN 103453197 B 7/2015
CN 104896136 A 9/2015
CN 204922092 U 12/2015
CN 206616624 U 11/2017

CN 109340429 A 2/2019
EP 2896759 A1 7/2015
WO 8706861 A1 11/1987

OTHER PUBLICATIONS

U.S. App. No. 29/551,697, filed Jan. 15, 2016 in the name of ICG Licensing LLC.
U.S. Appl. No. 29/701,571, filed Aug. 13, 2019 in the name of Kraus USA, Inc.
U.S. Appl. No. 29/701,573, filed Aug. 13, 2019 in the name of Kraus USA, Inc.
U.S. Appl. No. 29/701,574, filed Aug. 13, 2019 in the name of Kraus USA, Inc.
U.S. Appl. No. 29/701,754, filed Aug. 14, 2019 in the name of Kraus USA, Inc.
U.S. Appl. No. 29/701,757, filed Aug. 14, 2019 in the name of Kraus USA, Inc.

* cited by examiner

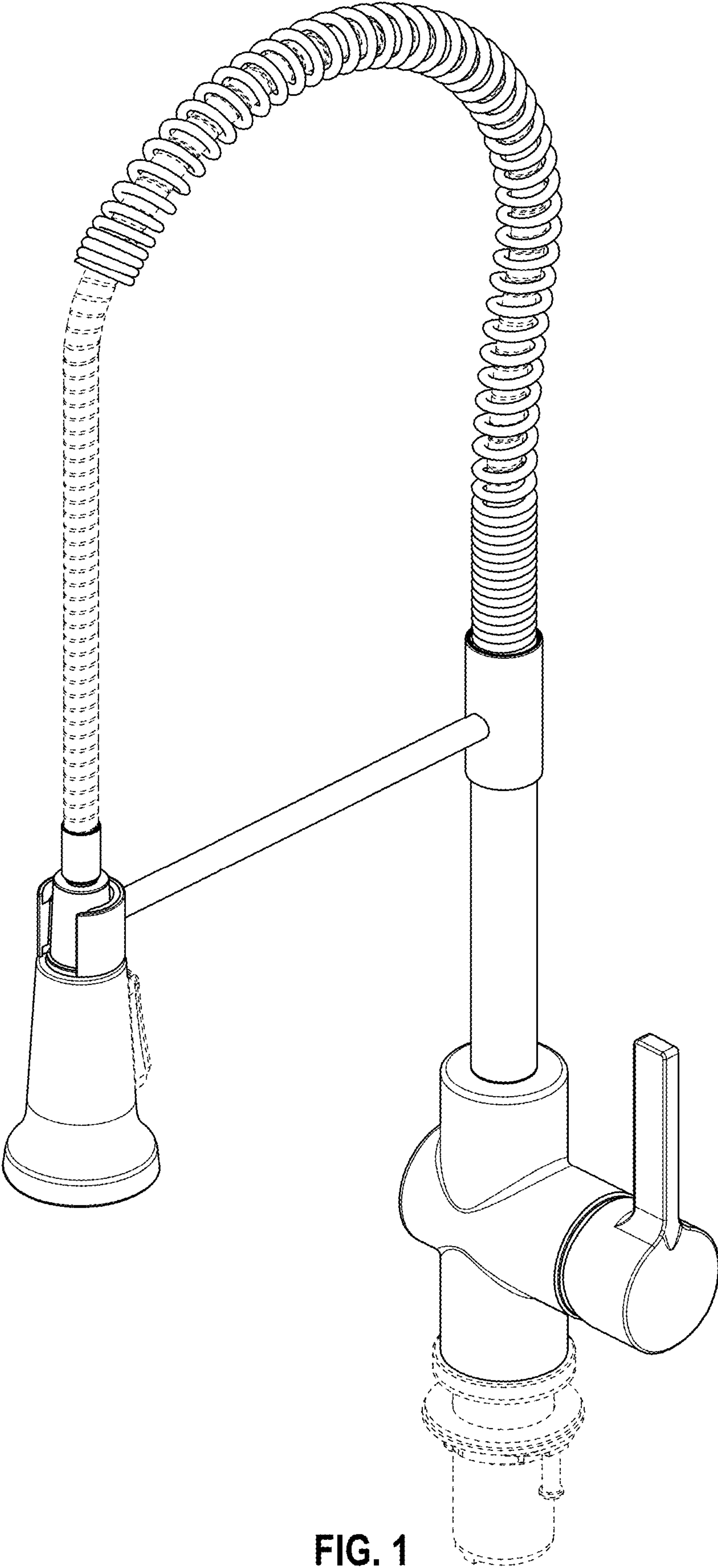


FIG. 1

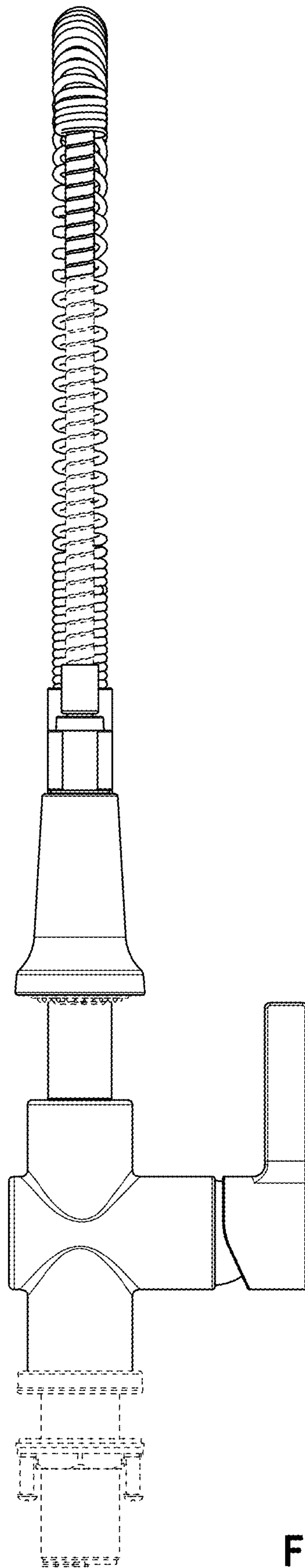


FIG. 2

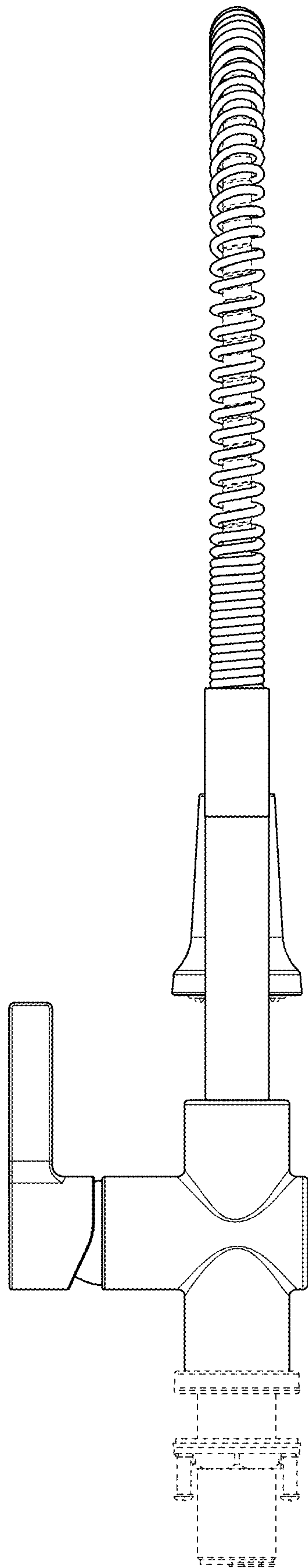


FIG. 3

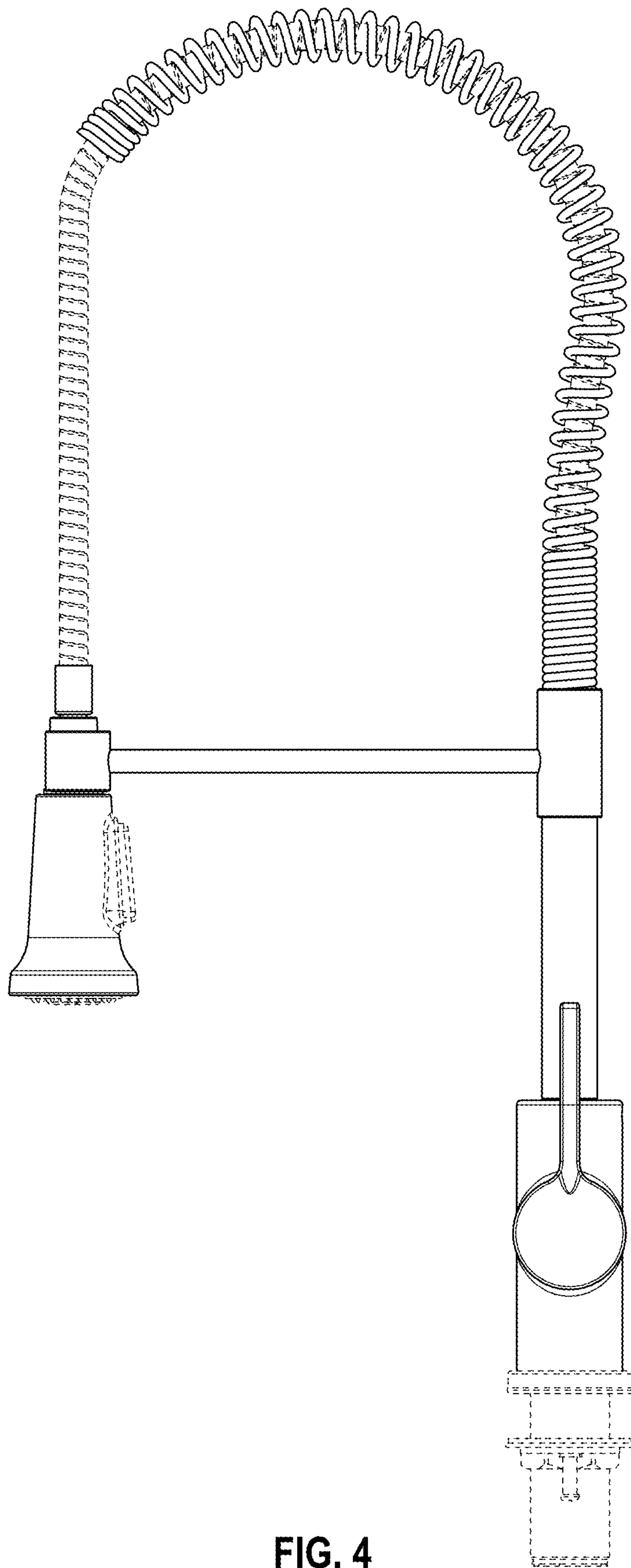


FIG. 4

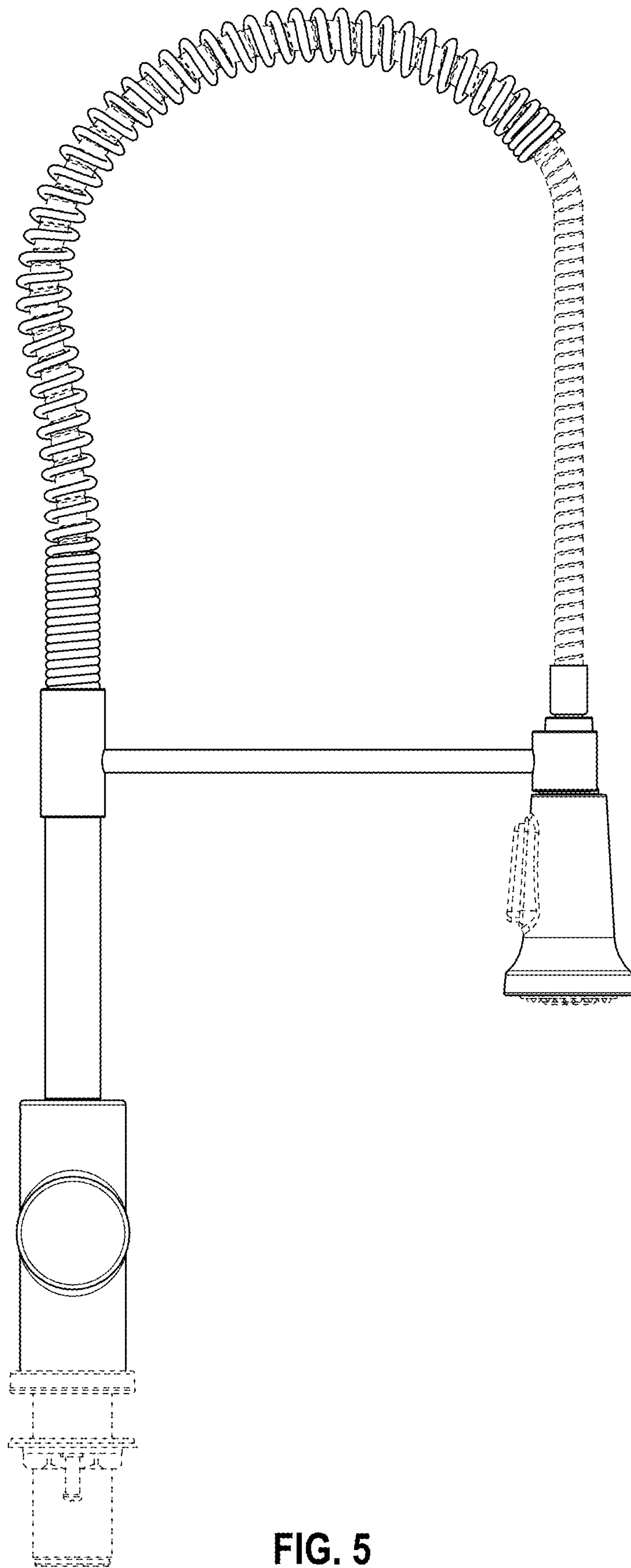


FIG. 5

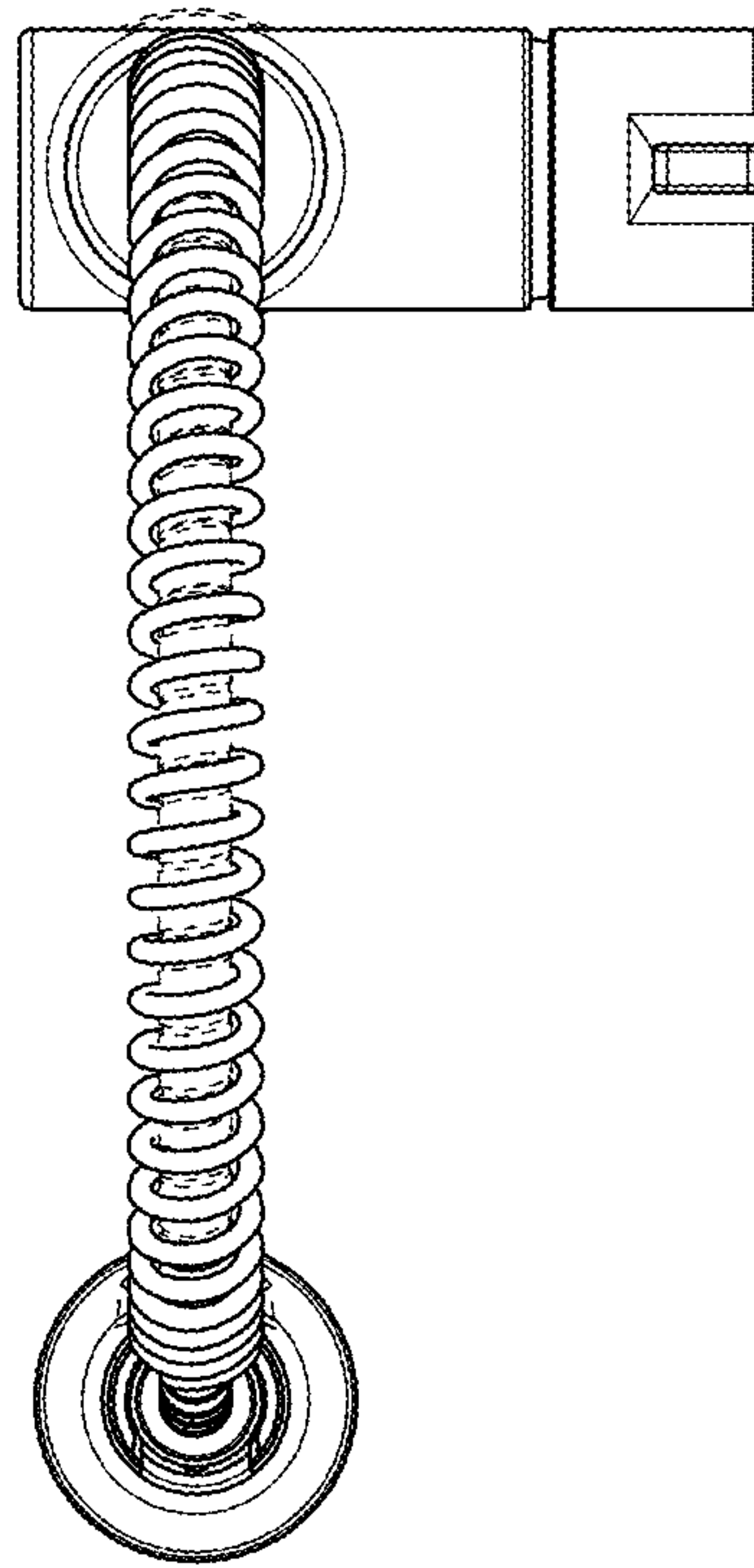


FIG. 6

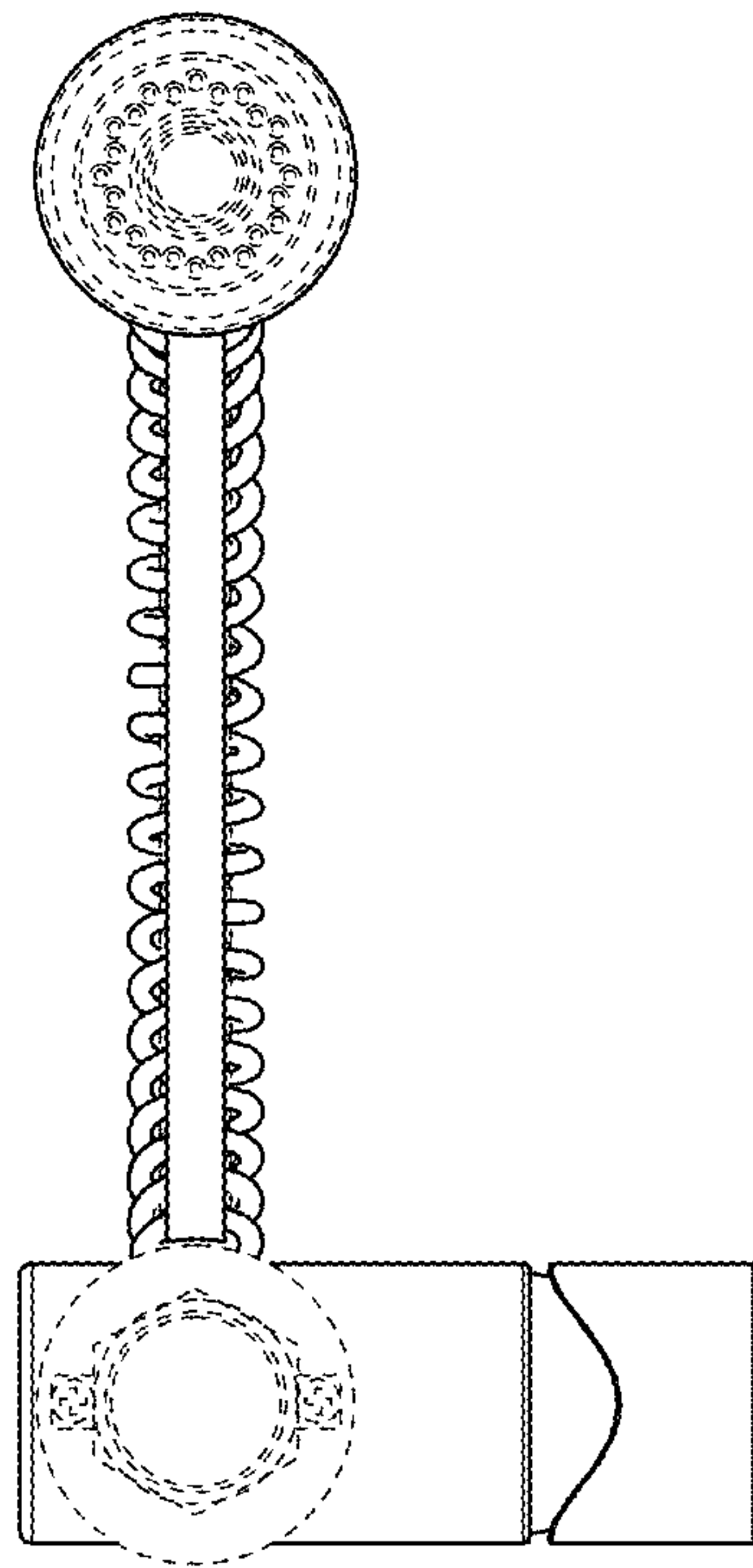


FIG. 7

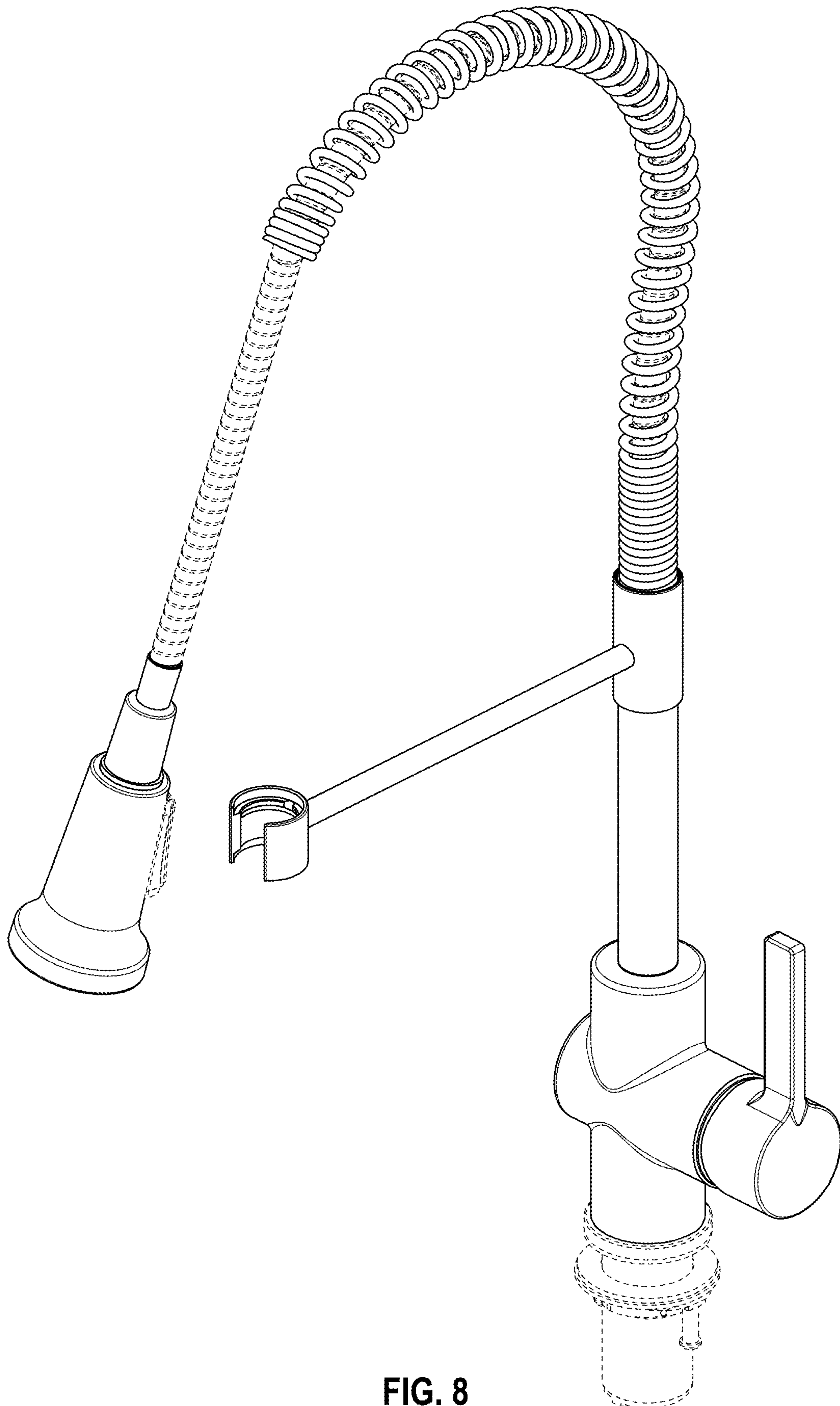


FIG. 8