



US00D914141S

(12) **United States Design Patent** (10) **Patent No.:** **US D914,141 S**
Takano (45) **Date of Patent:** **** Mar. 23, 2021**

(54) **FAUCET**

(71) Applicant: **Masaaki Takano**, Osaka (JP)

(72) Inventor: **Masaaki Takano**, Osaka (JP)

(**) Term: **15 Years**

(21) Appl. No.: **29/700,560**

(22) Filed: **Aug. 2, 2019**

(30) **Foreign Application Priority Data**

Jul. 24, 2019 (JP) 2019-016584
Jul. 30, 2019 (JP) 2019-017047
Jul. 30, 2019 (JP) 2019-017048
Jul. 30, 2019 (JP) 2019-017049

(51) **LOC (13) Cl.** **23-01**

(52) **U.S. Cl.**
USPC **D23/238**

(58) **Field of Classification Search**
USPC D23/238, 239, 240, 241, 242, 243, 249,
D23/250, 255, 256, 257; D6/524
CPC E03C 1/04; E03C 1/0401; E03C 1/0402;
E03C 1/0404; E03C 1/0405; E03C
1/0412; Y10T 137/9464
See application file for complete search history.

(56) **References Cited**

U.S. PATENT DOCUMENTS

D687,127 S * 7/2013 Fritz D23/238
D708,713 S * 7/2014 Yu D23/238
D709,166 S * 7/2014 Yu D23/238
D810,875 S * 2/2018 Bahler D23/238
D833,577 S * 11/2018 Clarke D23/238
D837,938 S 1/2019 Clarke
D840,511 S * 2/2019 Garland D23/242
10,233,618 B2 3/2019 Clarke et al.
D855,155 S * 7/2019 Stuart D23/238
D855,767 S * 8/2019 Gessi D23/238
D858,709 S * 9/2019 Xuan D23/238
D884,123 S * 5/2020 Eads D23/238

(Continued)

OTHER PUBLICATIONS

Delta Faucet Foundry Single-Handle Kitchen Sink Faucet with Pull Down Sprayer[Dec. 1, 2020] found online [Dec. 1, 2020]—https://www.amazon.com/Delta-Single-Handle-Pull-Down-Dispenser-Stainless/dp/B078BPGY9Q/ref=sr_1_123?_encoding=UTF8&c=ts&dchild=1&keywords=Kitchen+Sink+Faucets&qid=1606844087&s=kitchen-bath&sr=1-123.*

Primary Examiner — John A Voytek

(74) *Attorney, Agent, or Firm* — Hamre, Schumann, Mueller & Larson, P.C.

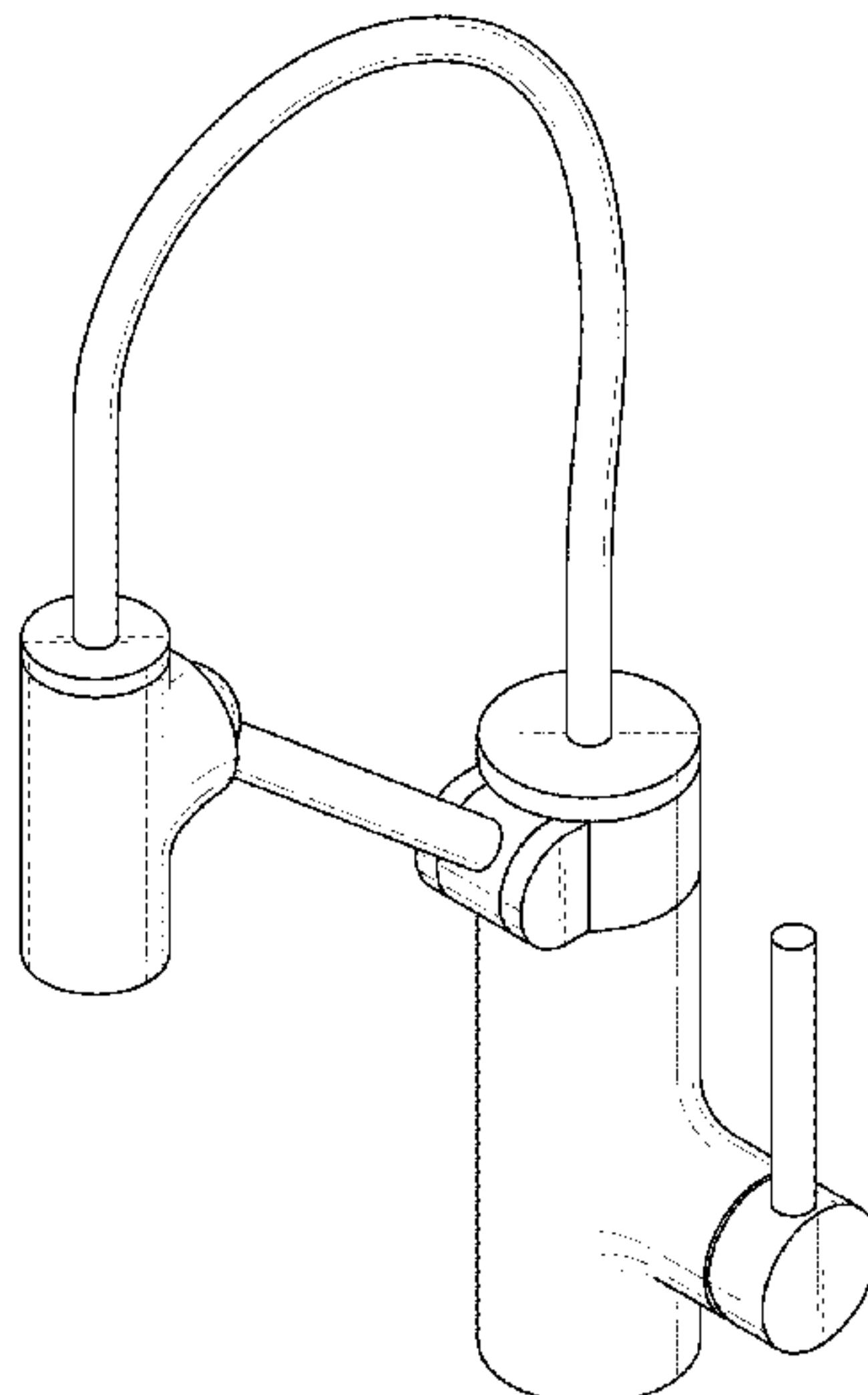
(57) **CLAIM**

The ornamental design for a faucet, as shown and described.

DESCRIPTION

FIG. 1 is a perspective view of the faucet.
FIG. 2 is a front view of the faucet depicted in FIG. 1.
FIG. 3 is a rear view of the faucet depicted in FIG. 1.
FIG. 4 is a right side view of the faucet depicted in FIG. 1, with the nozzle in an upper position.
FIG. 5 is a left side view of the faucet depicted in FIG. 1, with the nozzle in an upper position.
FIG. 6 is a top view of the faucet depicted in FIG. 1.
FIG. 7 is a bottom view of the faucet depicted in FIG. 1.
FIG. 8 is a right side view of the faucet depicted in FIG. 1, with the nozzle in an intermediate position.
FIG. 9 is a right side view of the faucet depicted in FIG. 1, with the nozzle in a lower position.
FIG. 10 is a right side view of the faucet depicted in FIG. 1, showing the support arm detached from the nozzle.
FIG. 11 is a top view of the faucet depicted in FIG. 1, with the nozzle swung to the left and in an upper position; and, FIG. 12 is a top view of the faucet depicted in FIG. 1, with the nozzle swung to the right and in an upper position.
In the drawings, the broken lines depict portions of a faucet that form no part of the claimed design.

1 Claim, 9 Drawing Sheets



(56)

References Cited

U.S. PATENT DOCUMENTS

2015/0308088	A1 *	10/2015	Enlow	E03C 1/0404 137/1
2017/0350104	A1 *	12/2017	Clarke	E03C 1/0404
2019/0003162	A1 *	1/2019	Fourman	E03C 1/0403
2019/0078305	A1 *	3/2019	Lin	E03C 1/0404
2020/0102725	A1 *	4/2020	Fourman	E03C 1/0405
2020/0181892	A1 *	6/2020	Macsay	E03C 1/0405

* cited by examiner

Fig. 1

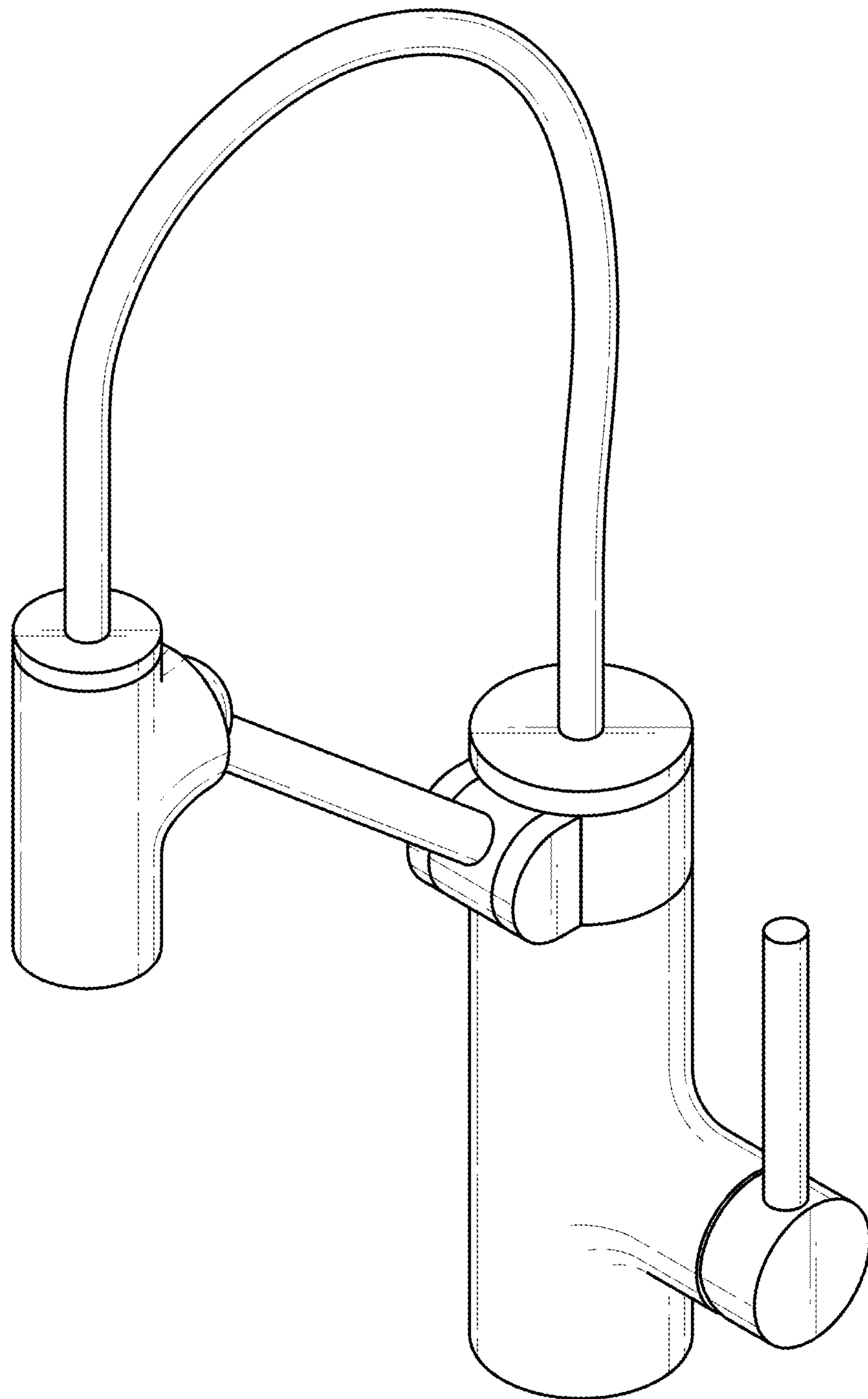


Fig. 2

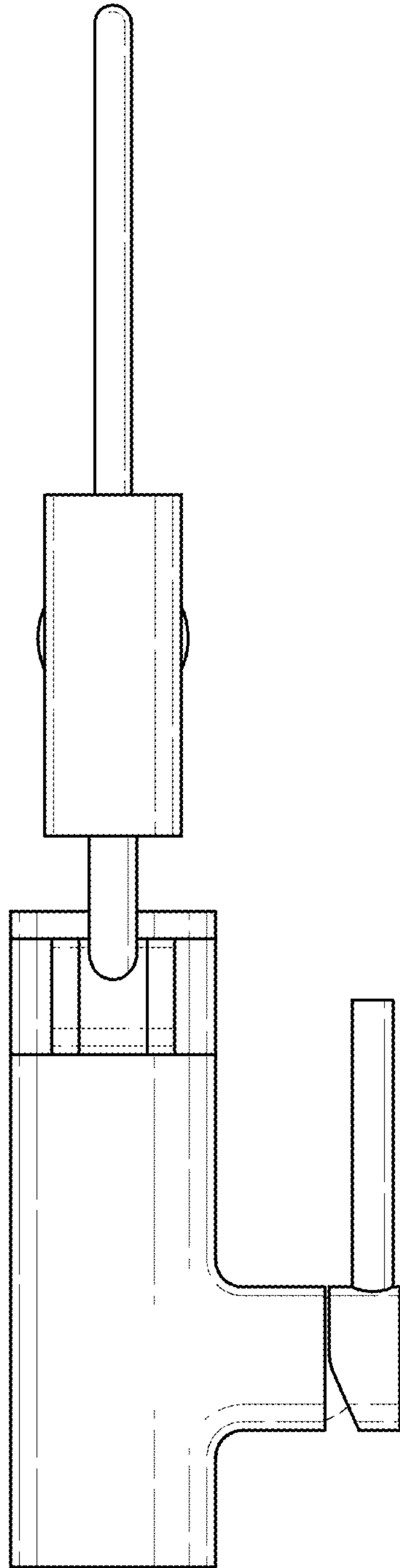


Fig. 3

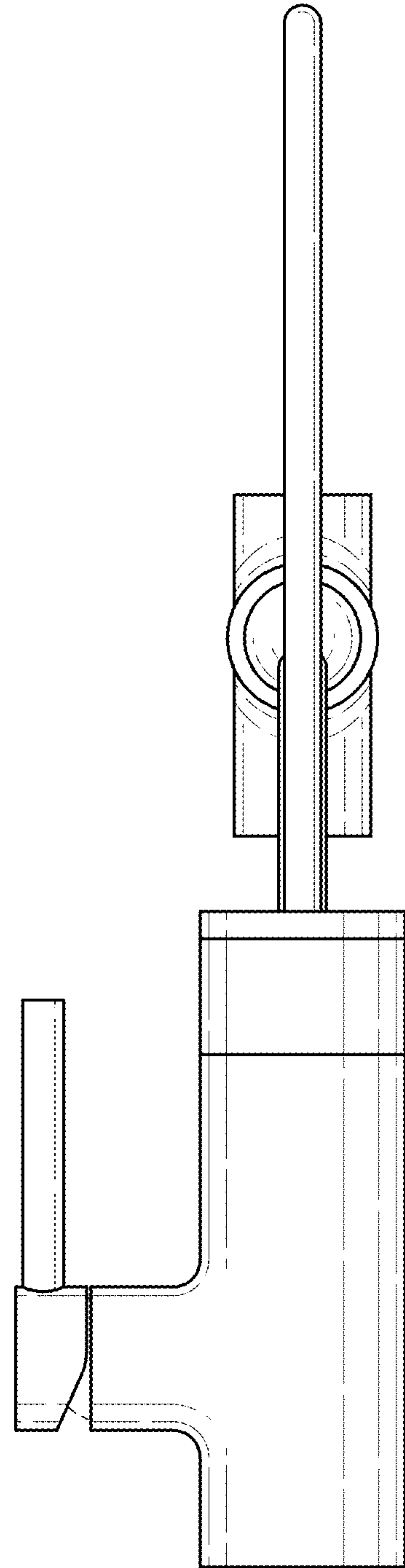


Fig. 4

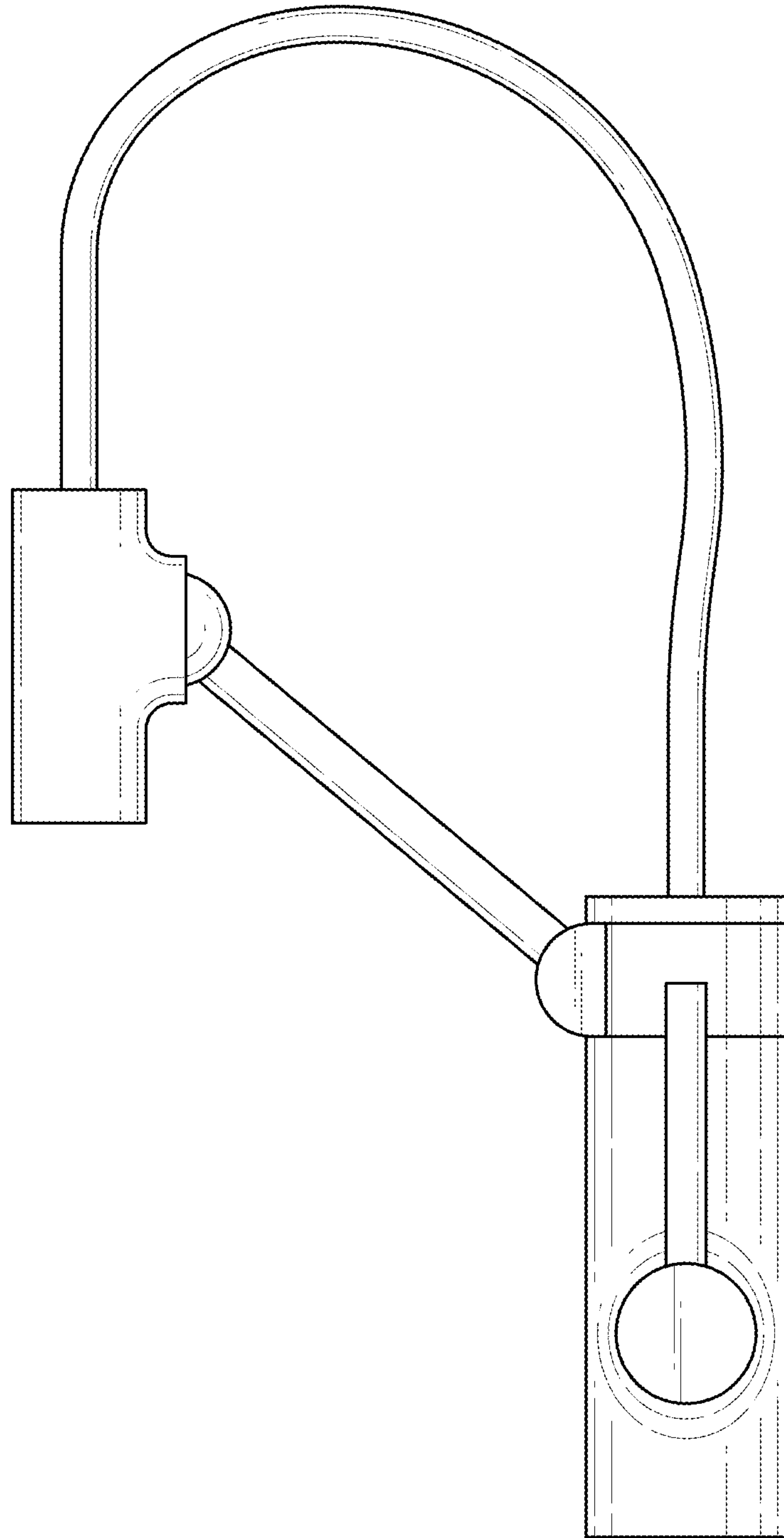


Fig. 5

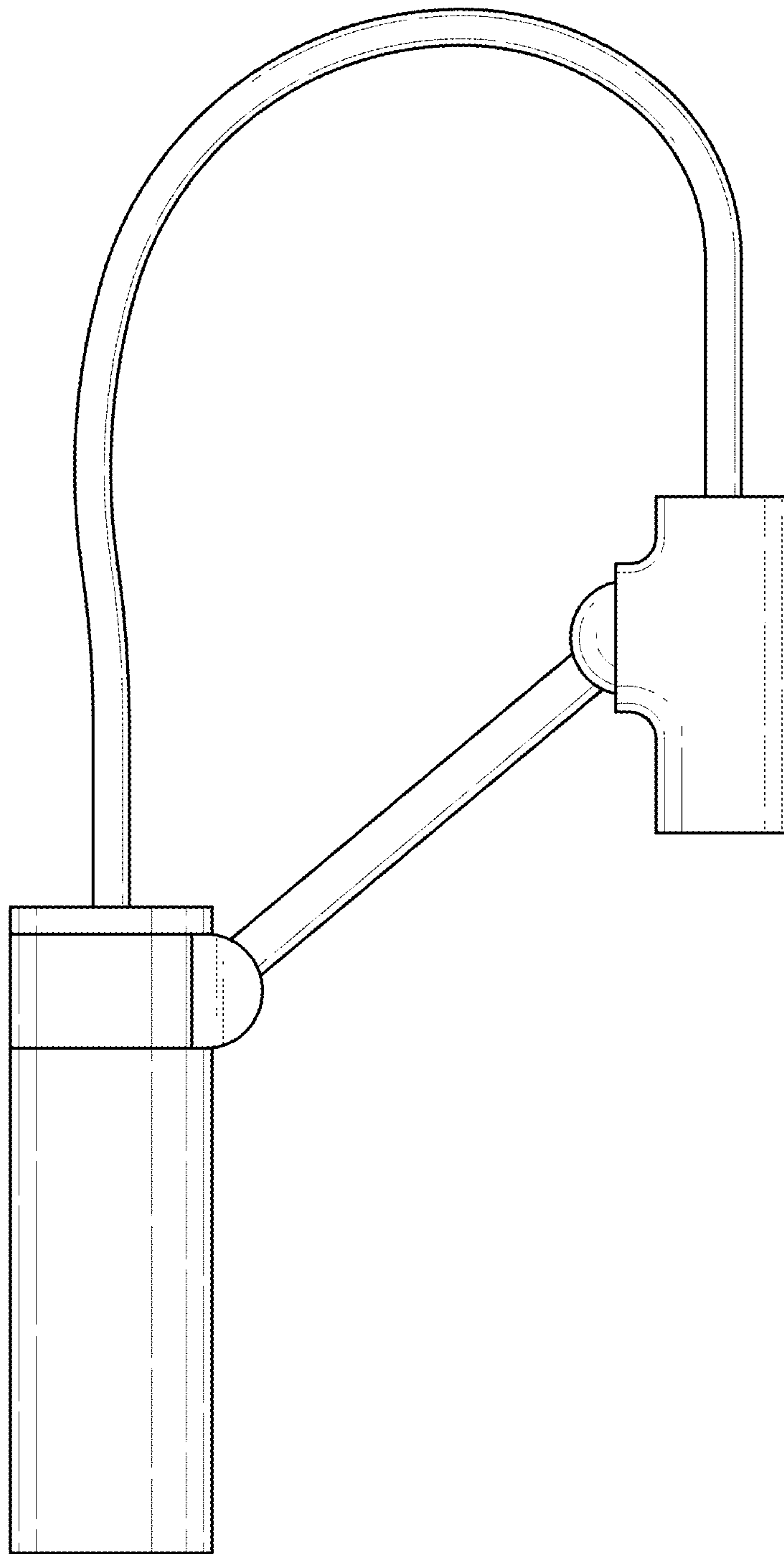


Fig. 6

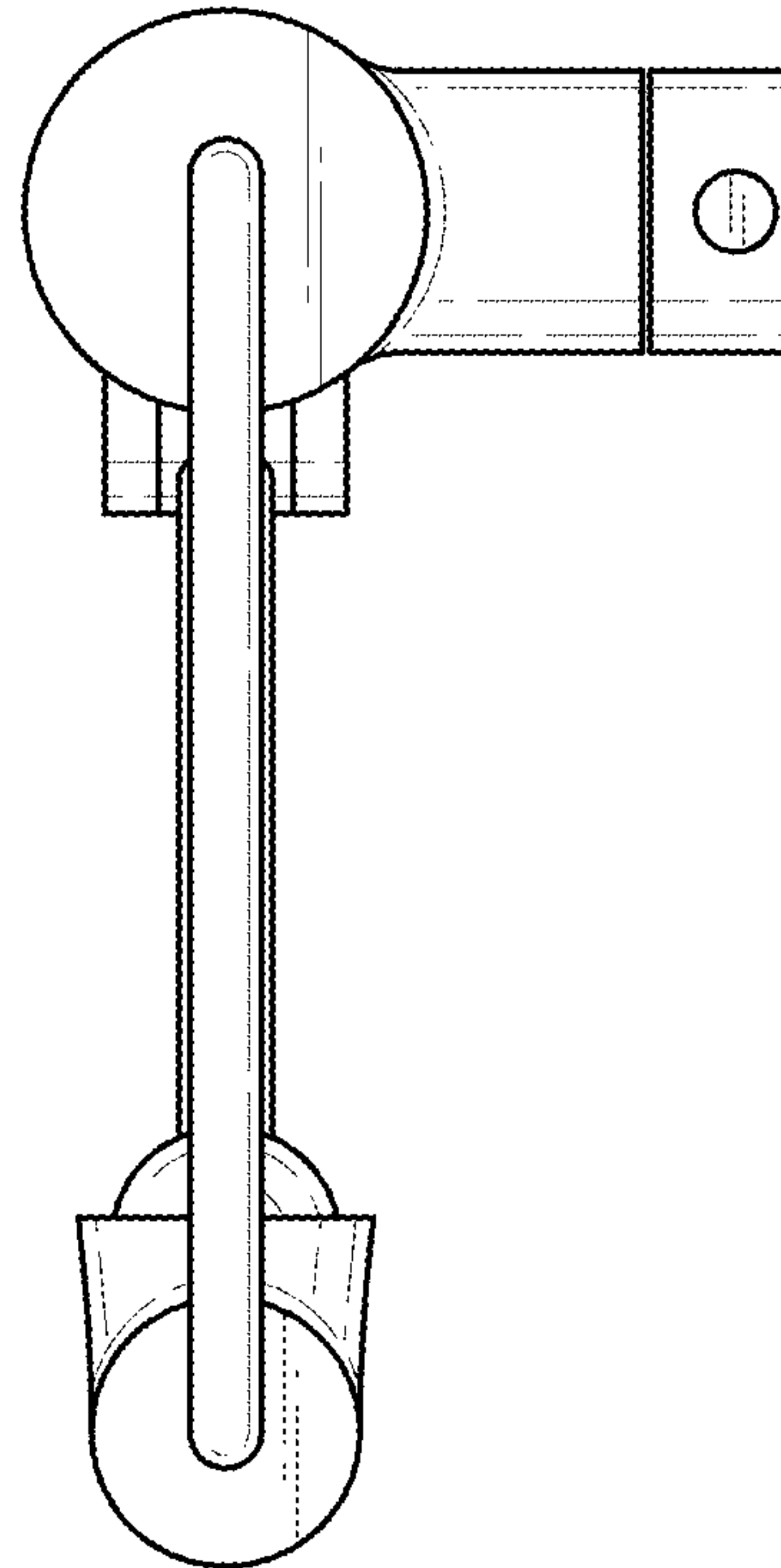


Fig. 7

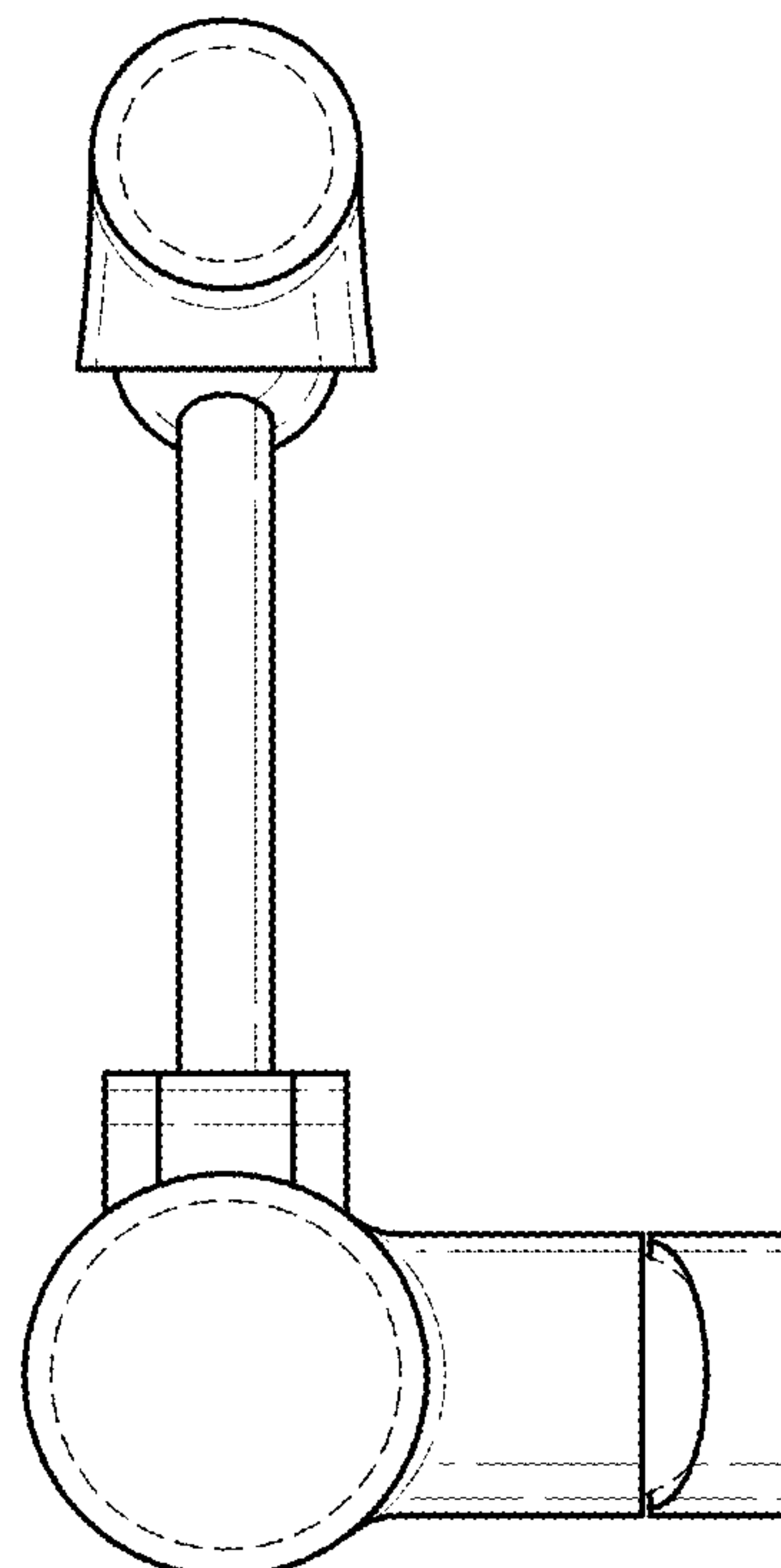


Fig. 8

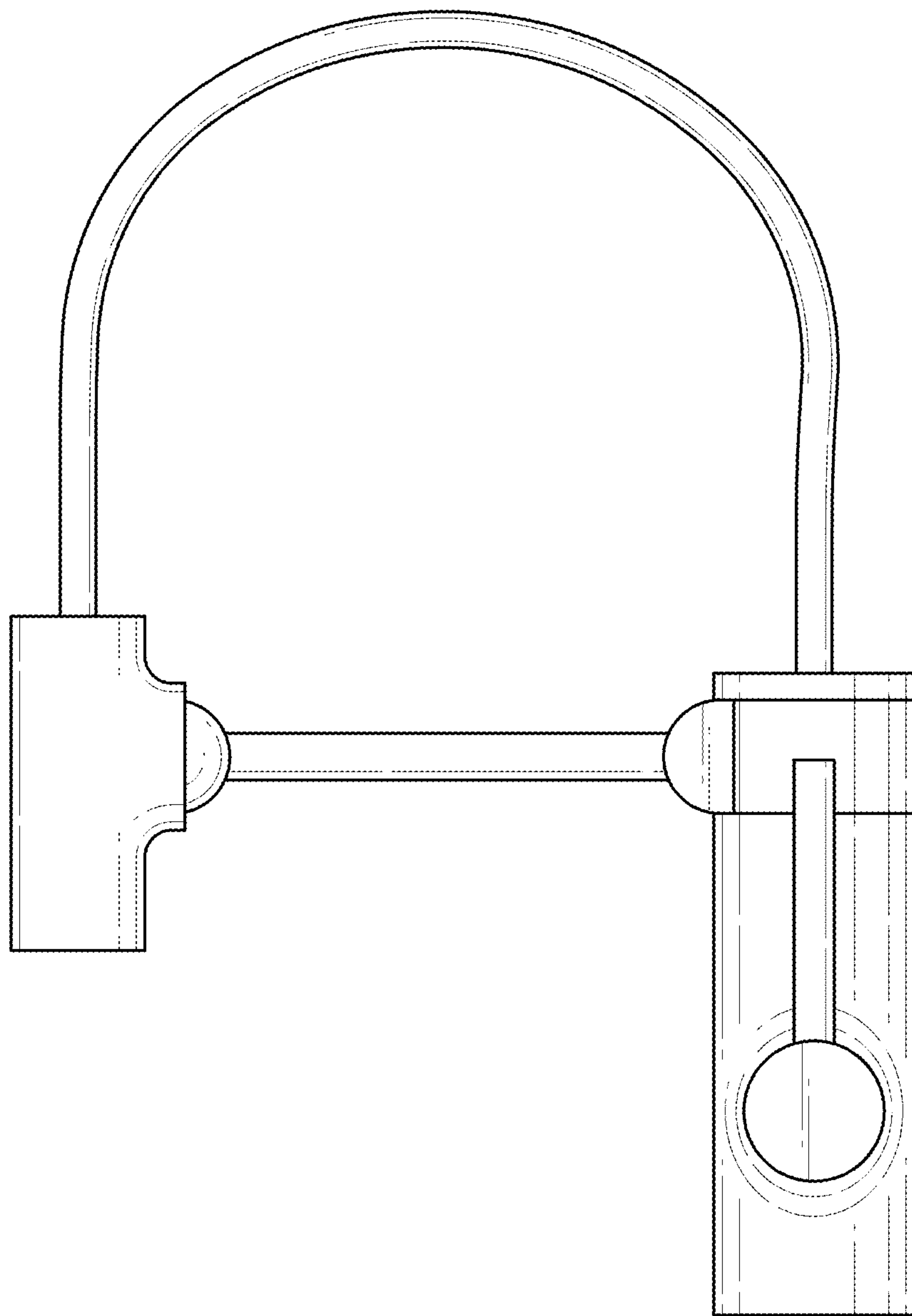


Fig. 9

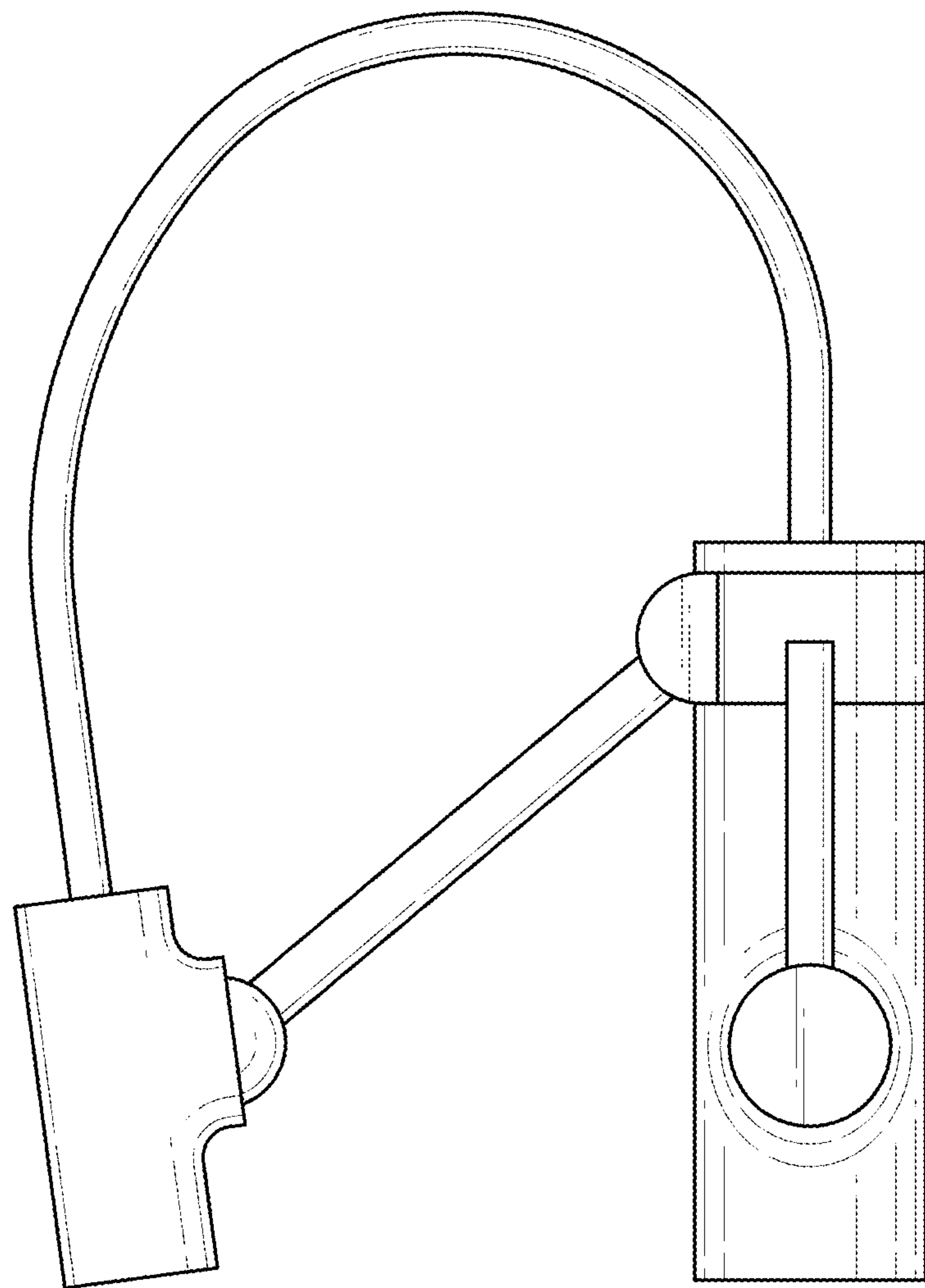


Fig. 10

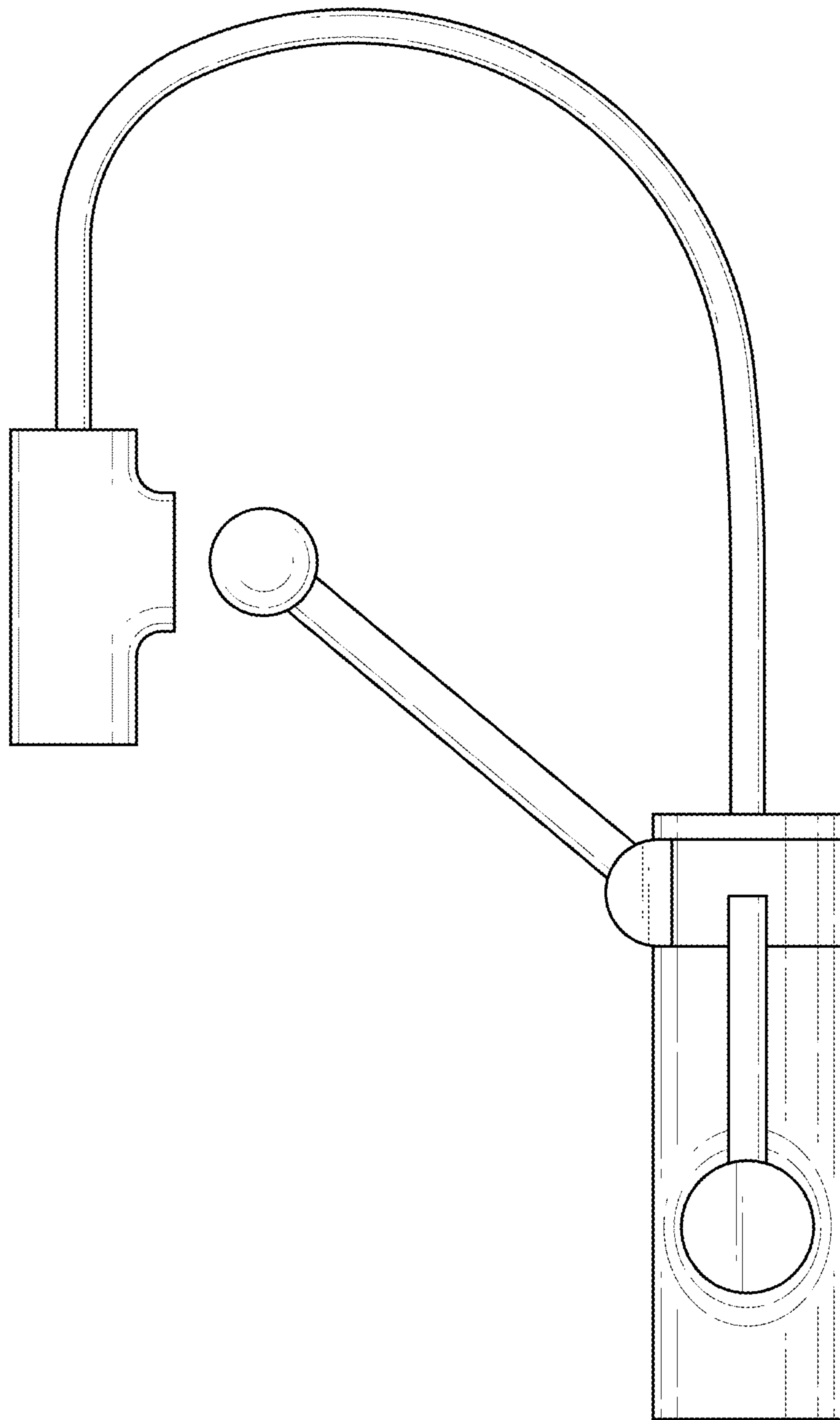


Fig. 11

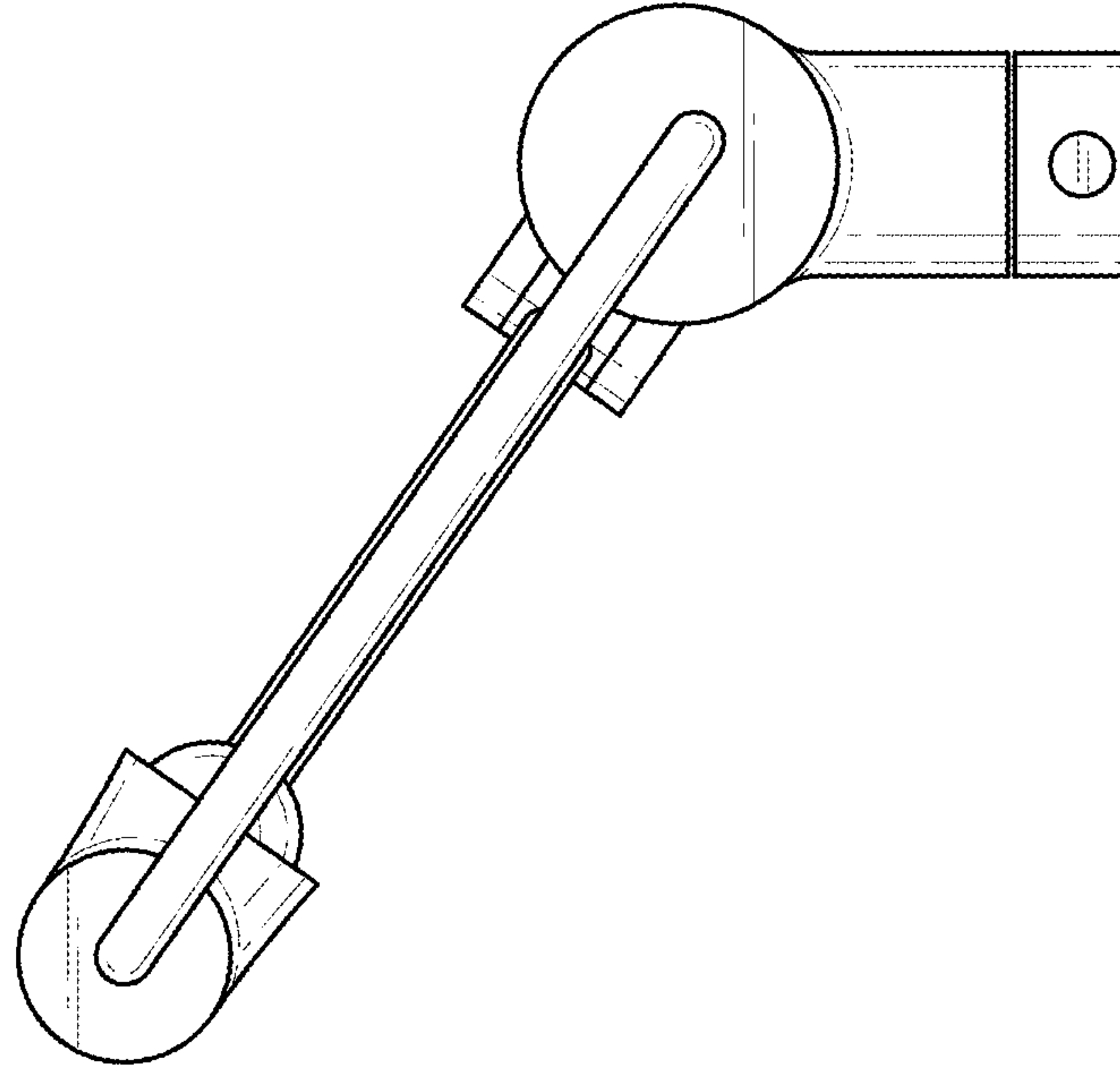


Fig. 12

