



US00D914139S

(12) **United States Design Patent**
Yoshida et al.

(10) **Patent No.:** **US D914,139 S**
(45) **Date of Patent:** **** Mar. 23, 2021**

(54) **ELECTROMAGNETIC VALVE**
(71) Applicant: **SMC CORPORATION**, Chiyoda-ku
(JP)

D846,697 S 4/2019 Yoshimura et al.
D857,163 S * 8/2019 Yoshimura D23/233
D897,496 S * 9/2020 Yoshimura D23/233

(72) Inventors: **Masaru Yoshida**, Ushiku (JP); **Kenichi Matsumura**, Kashiwa (JP)

FOREIGN PATENT DOCUMENTS

KR 30-0979162 11/2018

(73) Assignee: **SMC CORPORATION**, Chiyoda-ku
(JP)

OTHER PUBLICATIONS

Office Action dated Mar. 2, 2020 in corresponding Japanese Design Application No. 2019-016464 (with English Translation), 6 pages.

(**) Term: **15 Years**

* cited by examiner

(21) Appl. No.: **29/717,565**

Primary Examiner — Gino Colan
(74) *Attorney, Agent, or Firm* — Oblon, McClelland, Maier & Neustadt, L.L.P.

(22) Filed: **Dec. 18, 2019**

(30) **Foreign Application Priority Data**

Jul. 23, 2019 (JP) 2019-016464

(51) **LOC (13) Cl.** **23-01**

(52) **U.S. Cl.**
USPC **D23/233**

(57) **CLAIM**

The ornamental design for an electromagnetic valve, as shown and described.

(58) **Field of Classification Search**
USPC D23/233, 249; 251/129.15, 129.01,
251/129.22; 137/884, 597, 606, 625.64,
137/271

DESCRIPTION

CPC F16K 31/0675; F16K 27/029; F16K
31/0658; F16K 31/082; F16K 27/048;
F16K 11/24; H01F 2007/1692
See application file for complete search history.

FIG. 1 is a front, top, and left side perspective view of a an electromagnetic valve;
FIG. 2 is a rear, bottom, and right side view thereof;
FIG. 3 is a front elevational view thereof;
FIG. 4 is a rear elevational view thereof;
FIG. 5 is a top plan view thereof;
FIG. 6 is a bottom plan view thereof;
FIG. 7 is a left side elevational view thereof; and,
FIG. 8 is a right side elevational view thereof.

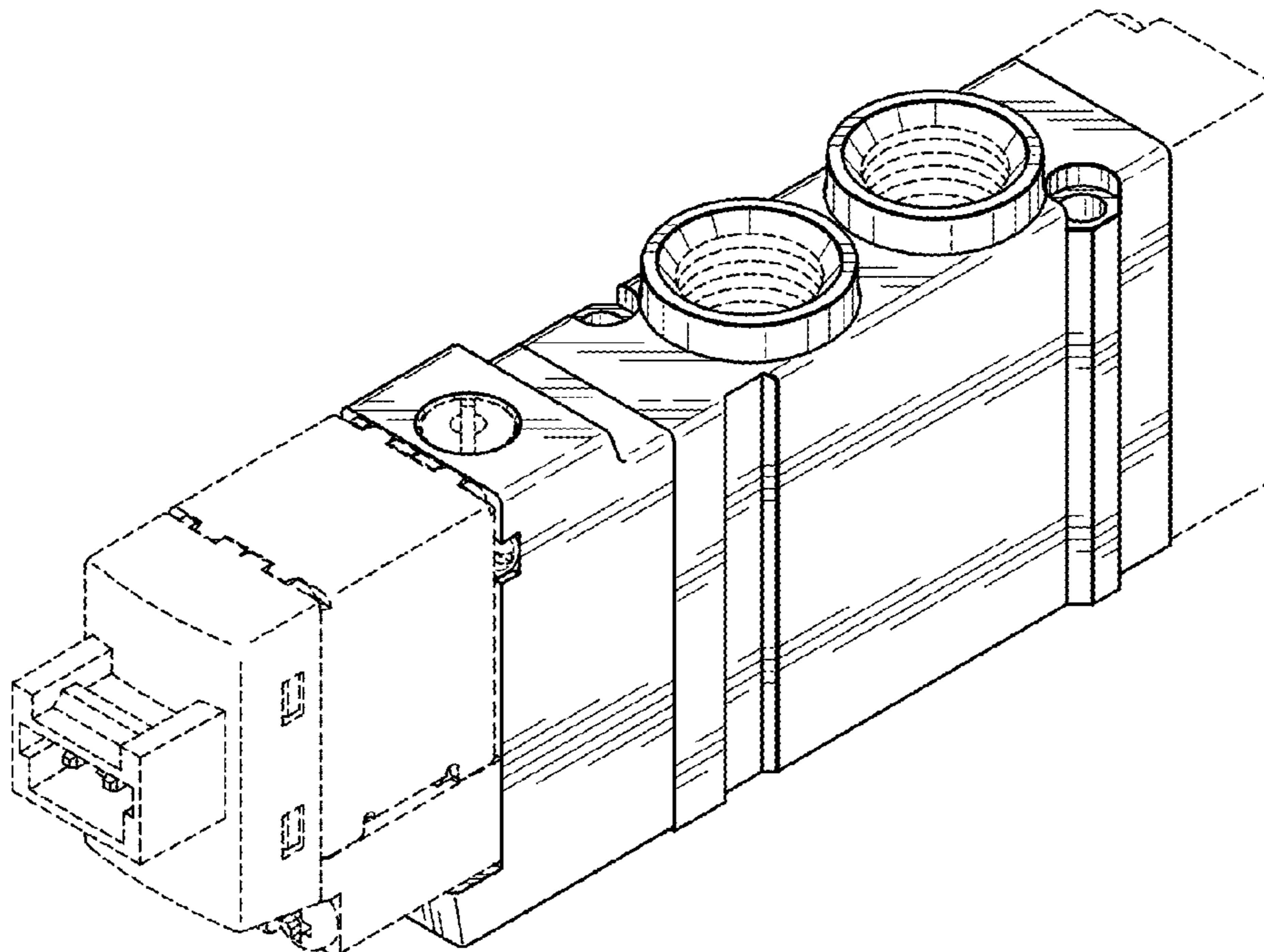
The broken lines shown in the figures are for the purpose of illustrating portions of the electromagnetic valve that form no part of the claimed design.

(56) **References Cited**

U.S. PATENT DOCUMENTS

D736,894 S * 8/2015 Morodomi D23/233
D740,918 S * 10/2015 Morodomi D23/233

1 Claim, 7 Drawing Sheets



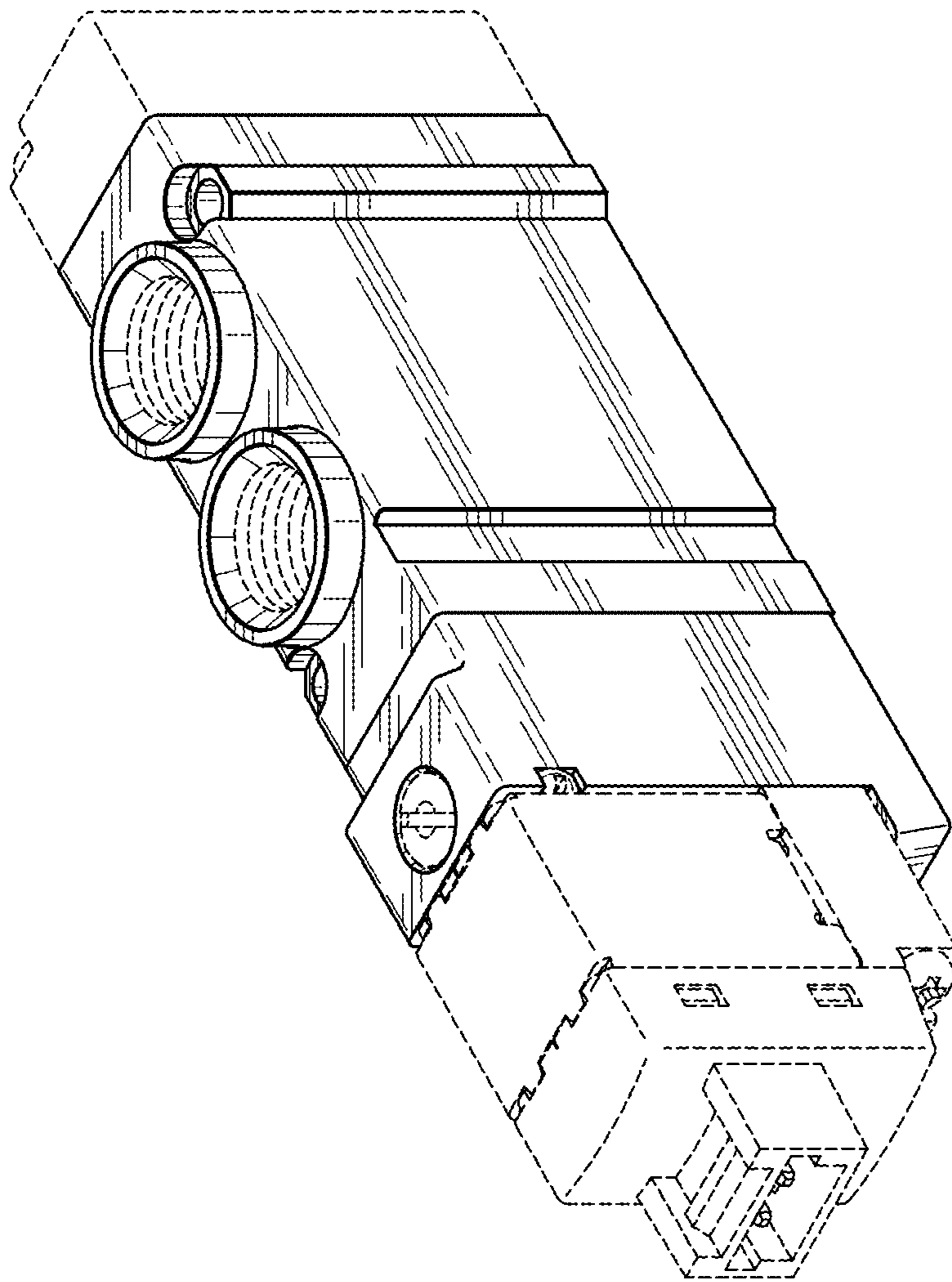


FIG. 1

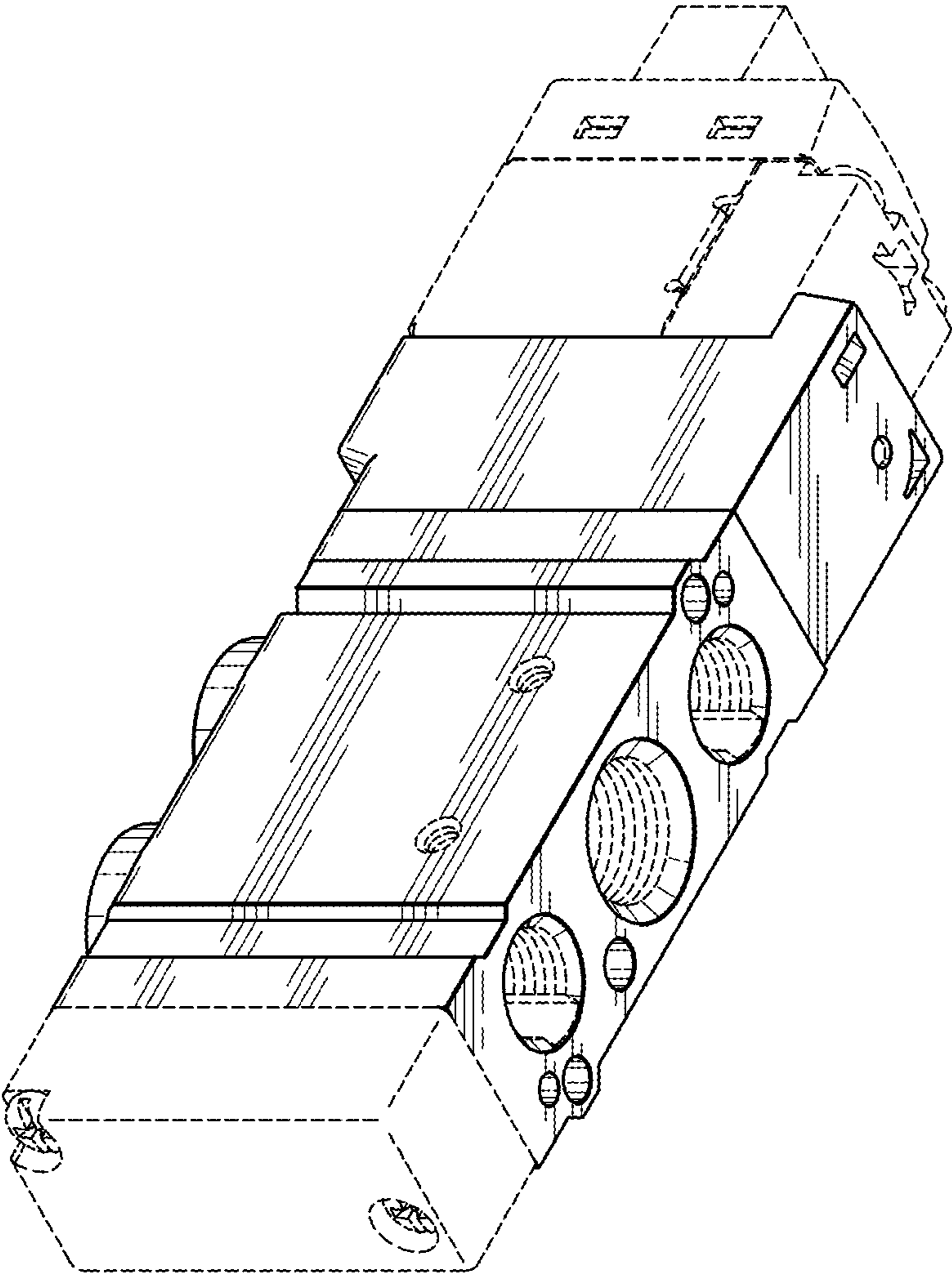


FIG. 2

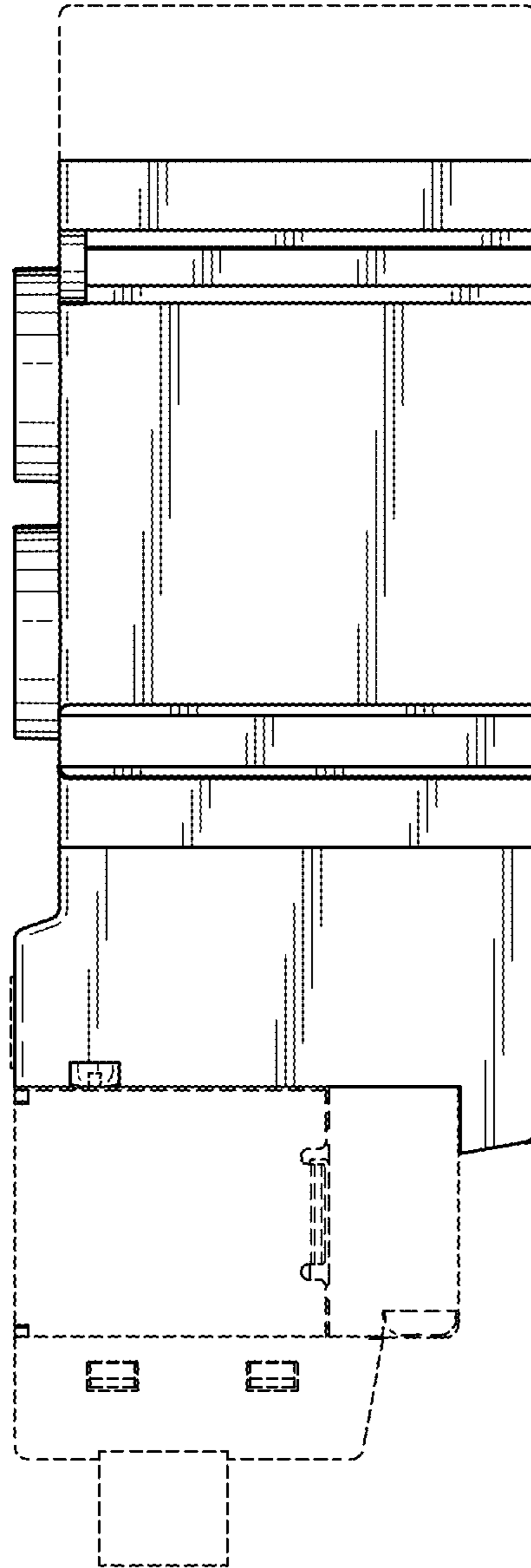


FIG. 3

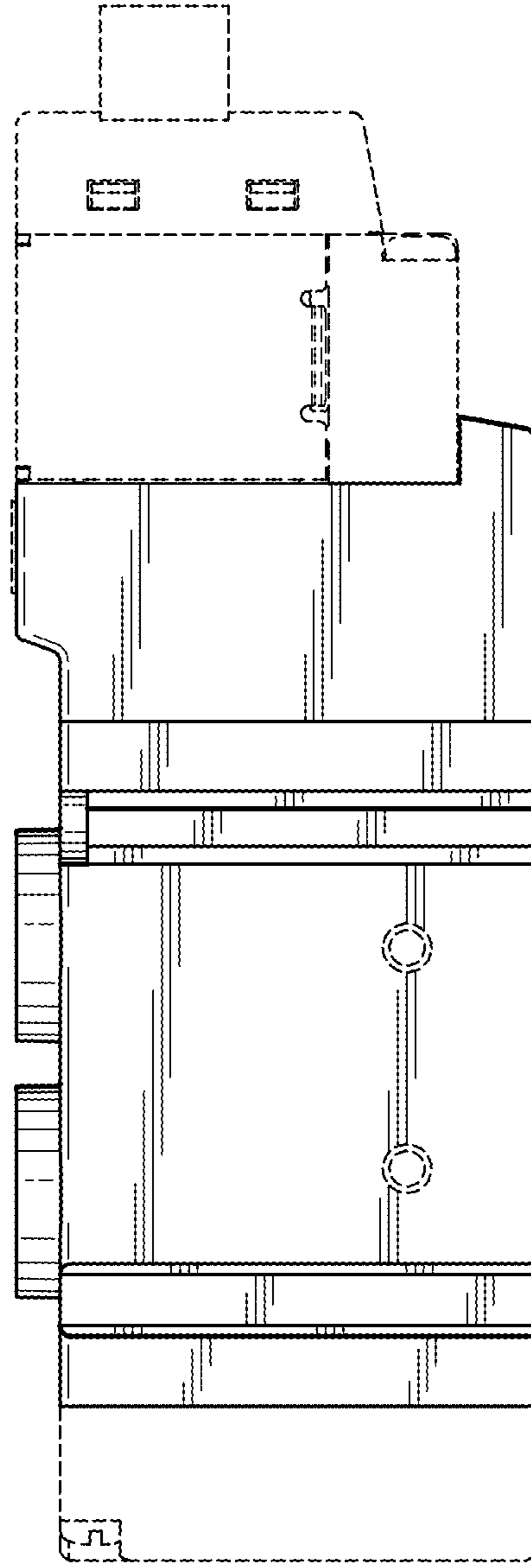


FIG. 4

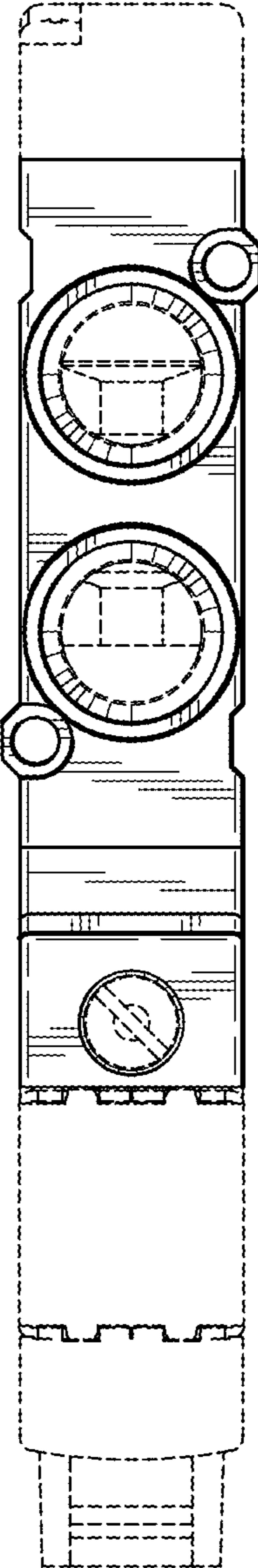


FIG. 5

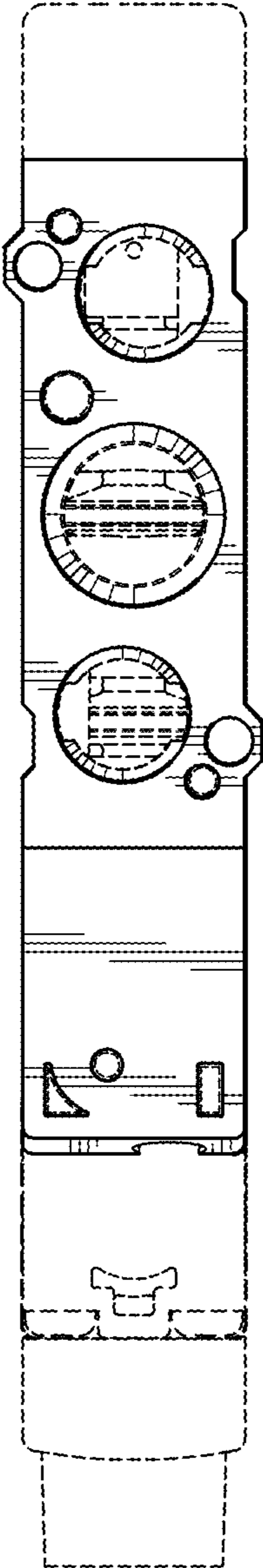


FIG. 6

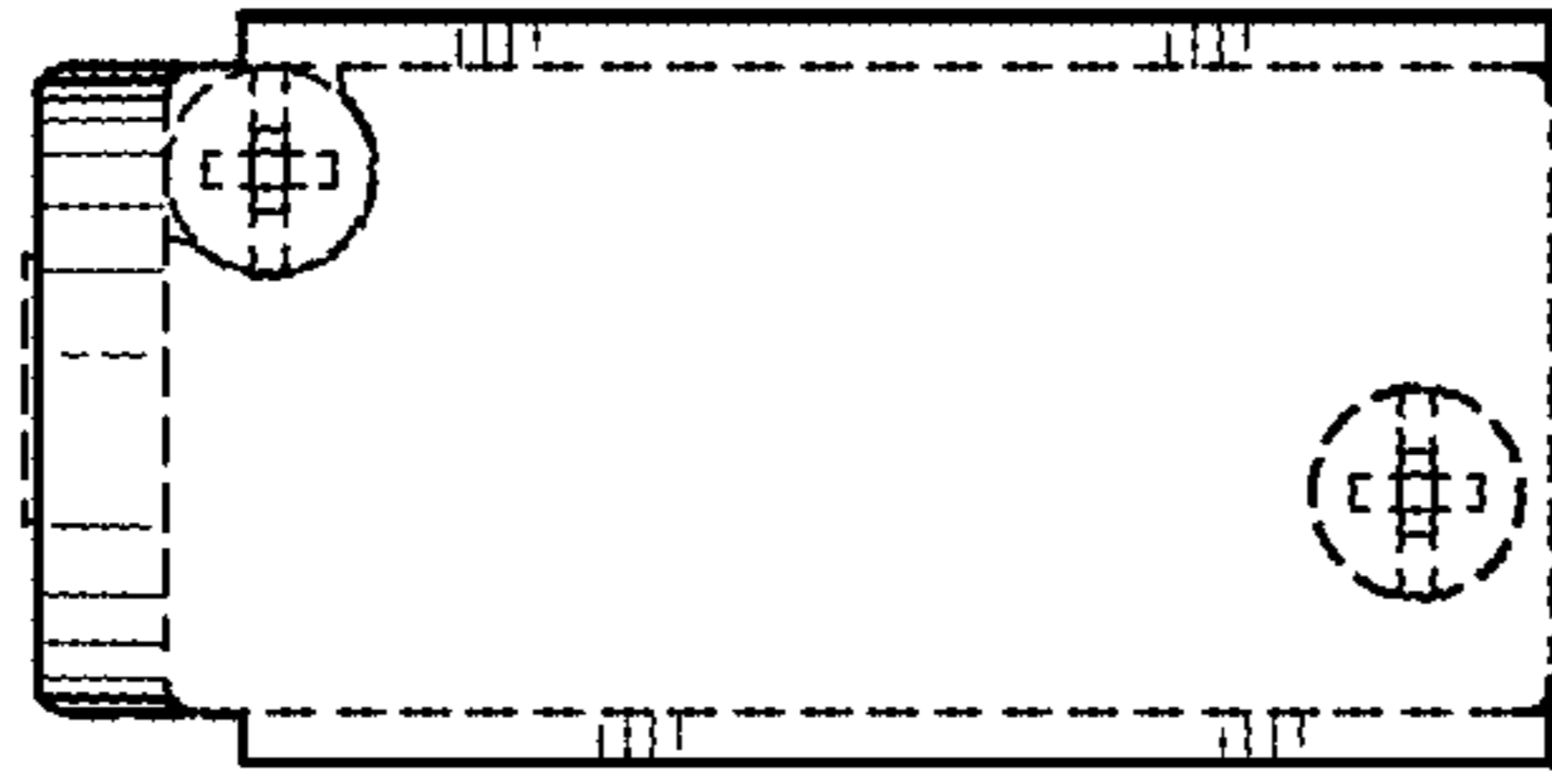


FIG. 8

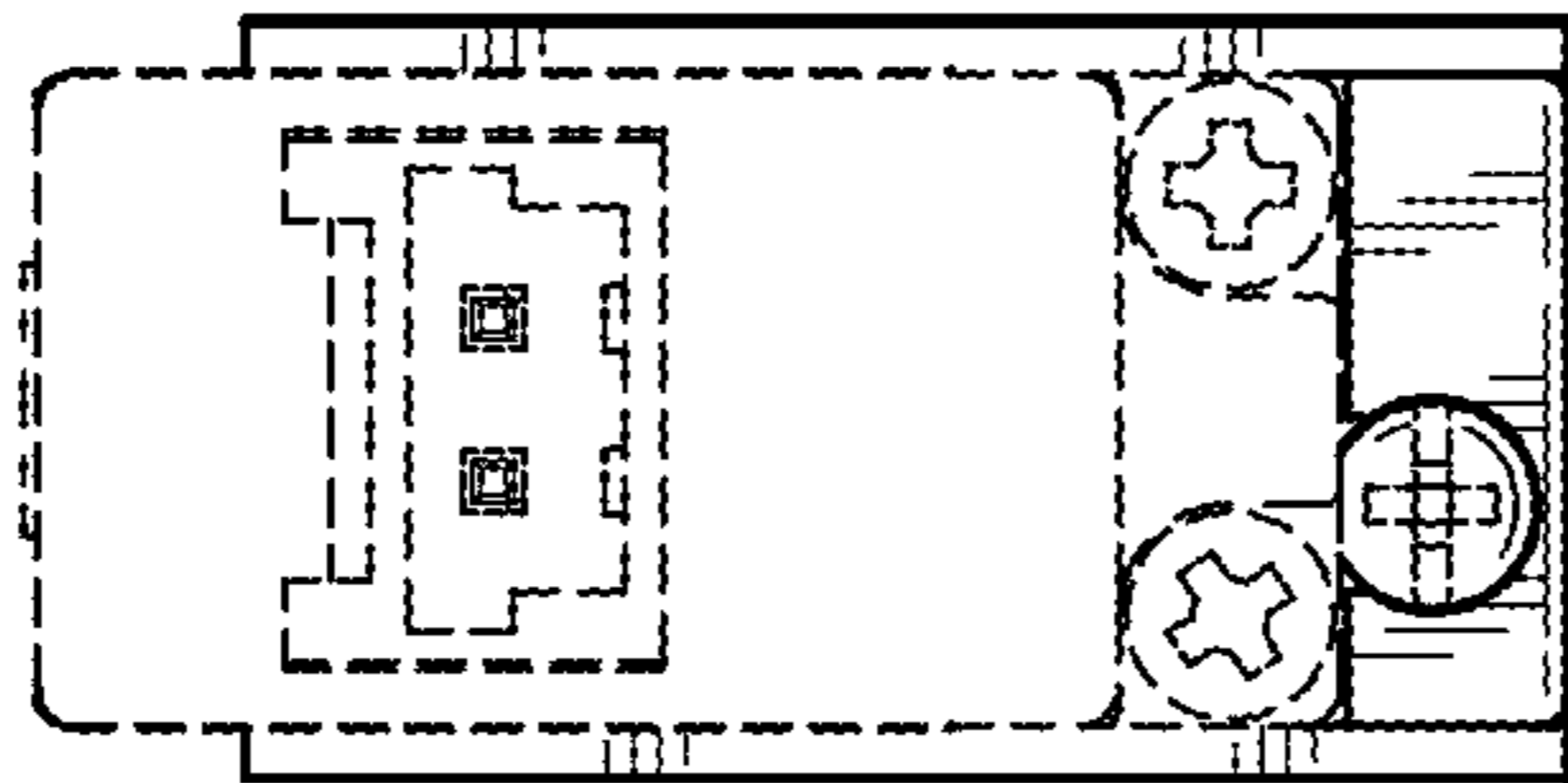


FIG. 7