



US00D914137S

(12) **United States Design Patent**  
**Chen**

(10) **Patent No.:** **US D914,137 S**

(45) **Date of Patent:** **\*\* Mar. 23, 2021**

(54) **SPRAY GUN WITH PSEUDO CARBON FIBER PATTERN**

(71) Applicant: **SHIN TAI SPURT WATER OF THE GARDEN TOOLS CO., LTD.,**  
Lu-Kang Town (TW)

(72) Inventor: **Chin-Yuan Chen,** Lu-Kang Town (TW)

(73) Assignee: **SHIN TAI SPURT WATER OF THE GARDEN TOOLS CO., LTD.,**  
Chang-Hua Hsien (TW)

(\*\*) Term: **15 Years**

(21) Appl. No.: **29/705,962**

(22) Filed: **Sep. 17, 2019**

(51) **LOC (13) Cl.** ..... **23-01**

(52) **U.S. Cl.**  
USPC ..... **D23/226**

(58) **Field of Classification Search**  
USPC ..... D23/213, 223, 224, 226, 229, 230; D8/2  
CPC .. B05B 1/16; B05B 9/01; B05B 15/63; B05B  
12/002; B05B 12/0022; B05B 12/0024;  
B05B 12/0026; A01M 7/0046; B25G 1/10  
See application file for complete search history.

(56) **References Cited**

**U.S. PATENT DOCUMENTS**

D458,343 S \* 6/2002 Chen ..... D23/213  
D513,306 S \* 12/2005 Chen ..... D23/226  
D557,379 S \* 12/2007 Chen ..... D23/223  
8,123,151 B2 \* 2/2012 Cheng ..... B05B 1/3026  
239/586

D705,898 S \* 5/2014 Chen ..... D23/223  
D792,945 S \* 7/2017 Cheng ..... D23/224  
D792,947 S \* 7/2017 Hung ..... D23/226  
9,707,573 B1 \* 7/2017 Huang ..... B05B 12/002  
D846,071 S \* 4/2019 Pease ..... D23/213  
D846,695 S \* 4/2019 Pease ..... D23/223  
D892,272 S \* 8/2020 Urry ..... D23/223  
2006/0249599 A1 \* 11/2006 Guo ..... F16K 35/025  
239/530

**OTHER PUBLICATIONS**

“Camco Thumb Lever Nozzle”, Nov. 9, 2018, Amazon, site visited Dec. 3, 2020: <https://www.amazon.ca/dp/B07JZZ9V8Y/> (Year: 2018).\*  
“Mozing Expandable Strength Fittings Connector”, Aug. 22, 2019, Amazon, site visited Dec. 3, 2020: <https://www.amazon.ca/dp/B07WY4S2YK/> (Year: 2019).\*

\* cited by examiner

*Primary Examiner* — Jack Reickel  
*Assistant Examiner* — Bobby W Jones, II

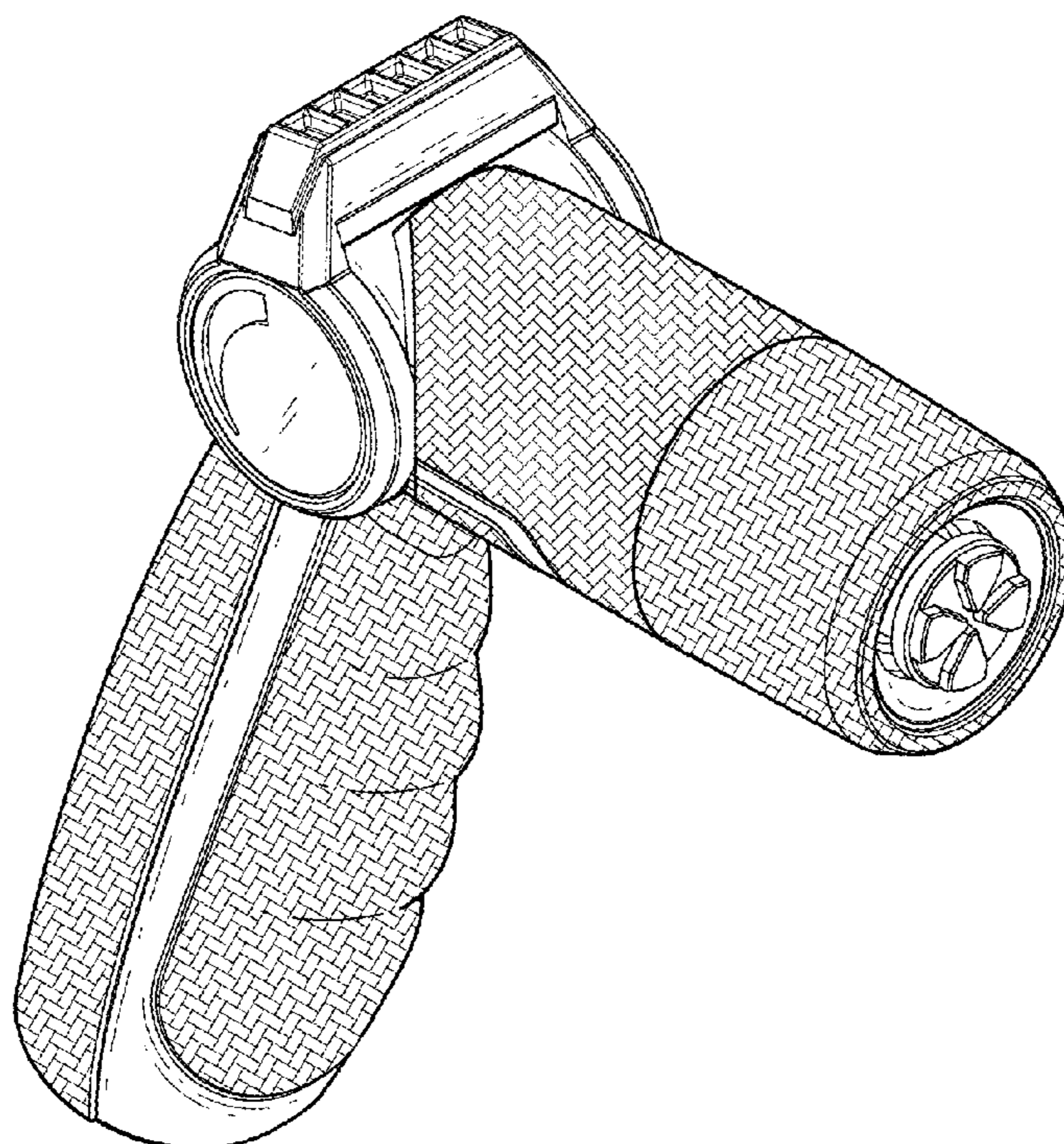
(57) **CLAIM**

The ornamental design for a spray gun with pseudo carbon fiber pattern, as shown and described.

**DESCRIPTION**

FIG. 1 is a perspective view of a spray gun with pseudo carbon fiber pattern showing my new design;  
FIG. 2 is a front elevational view thereof;  
FIG. 3 is a rear elevational view thereof;  
FIG. 4 is a left side elevational view thereof;  
FIG. 5 is a right side elevational view thereof;  
FIG. 6 is a top plan view thereof; and,  
FIG. 7 is a bottom plan view thereof.

**1 Claim, 5 Drawing Sheets**



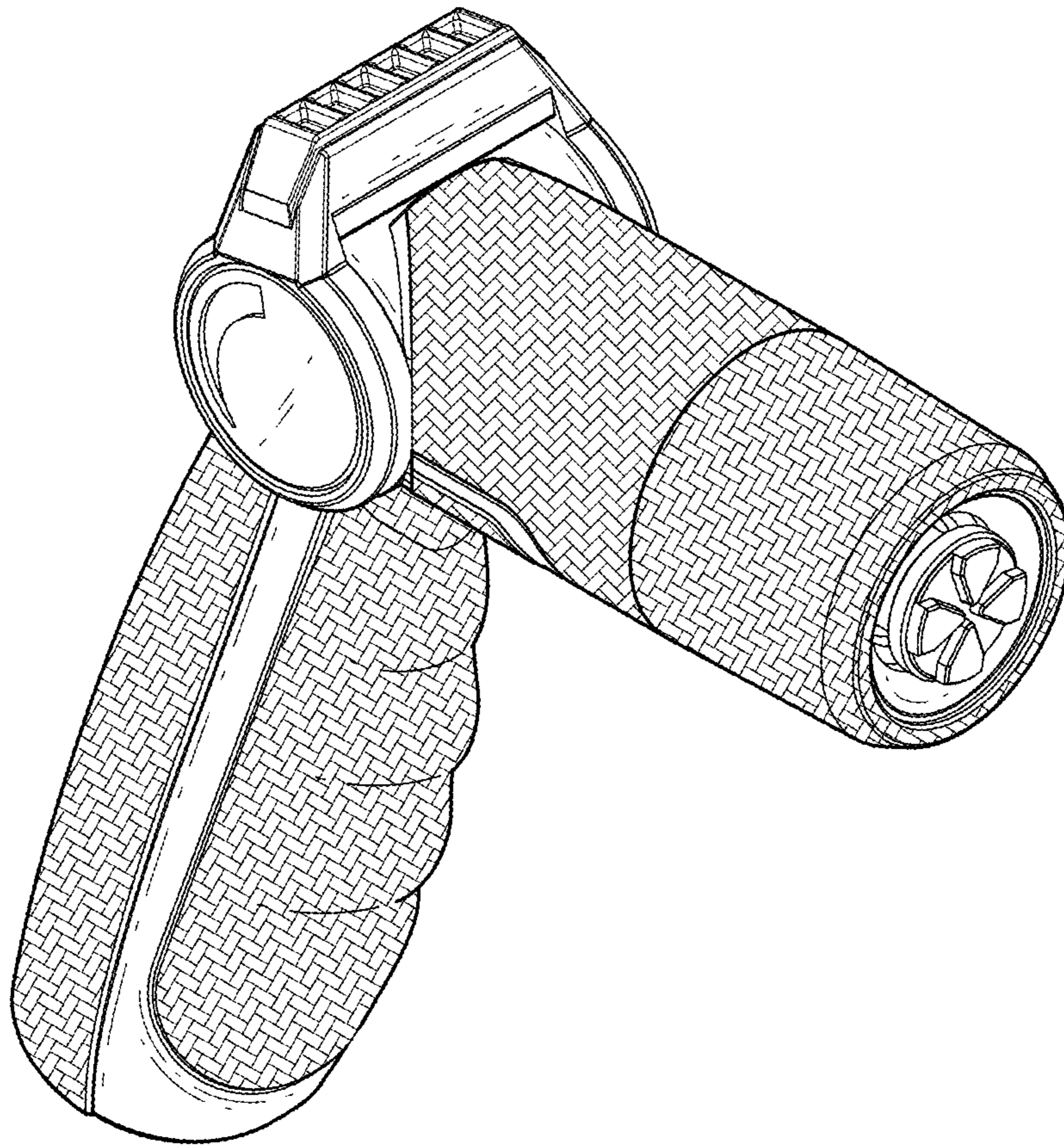


FIG.1



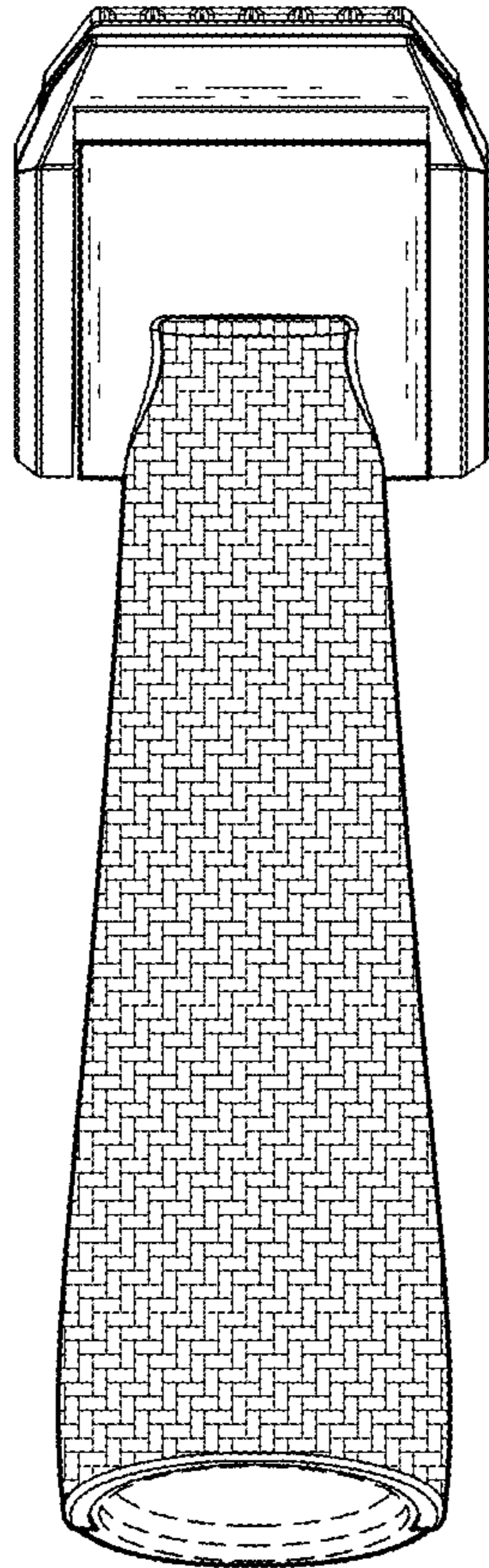


FIG. 2

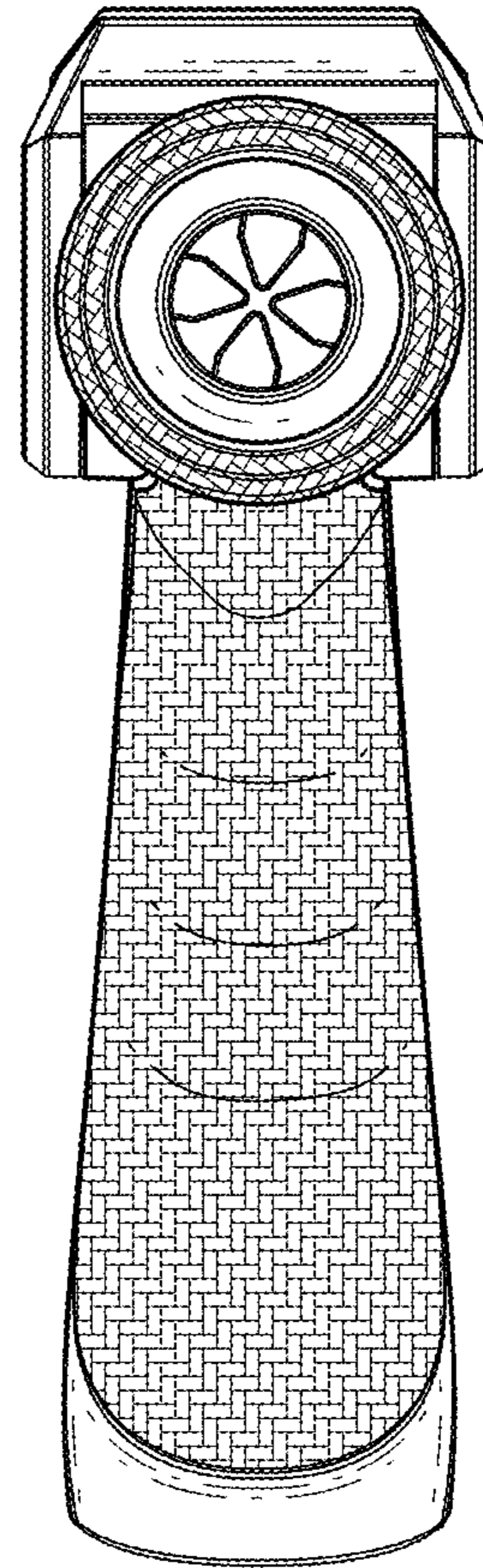


FIG. 3

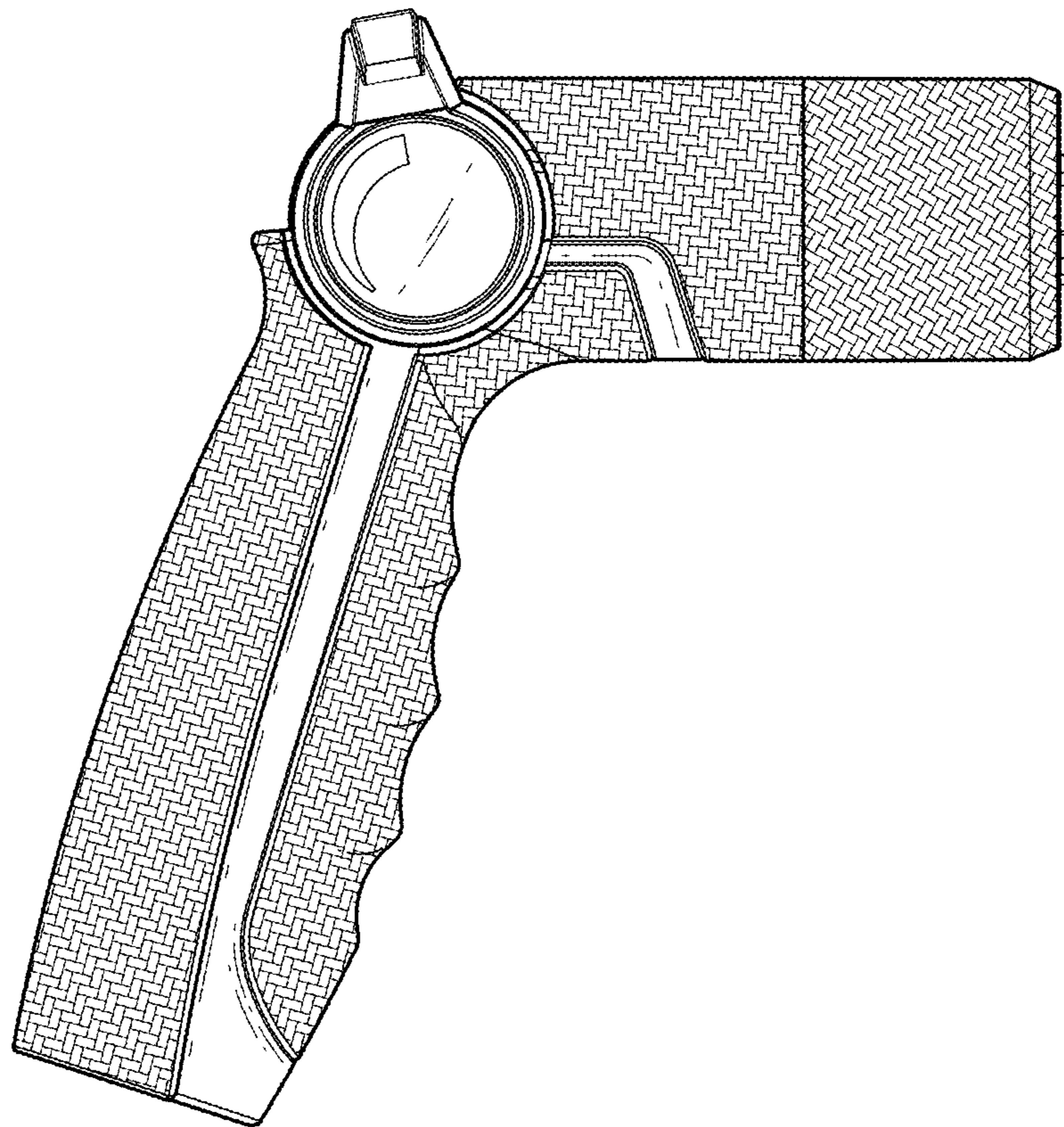


FIG.4

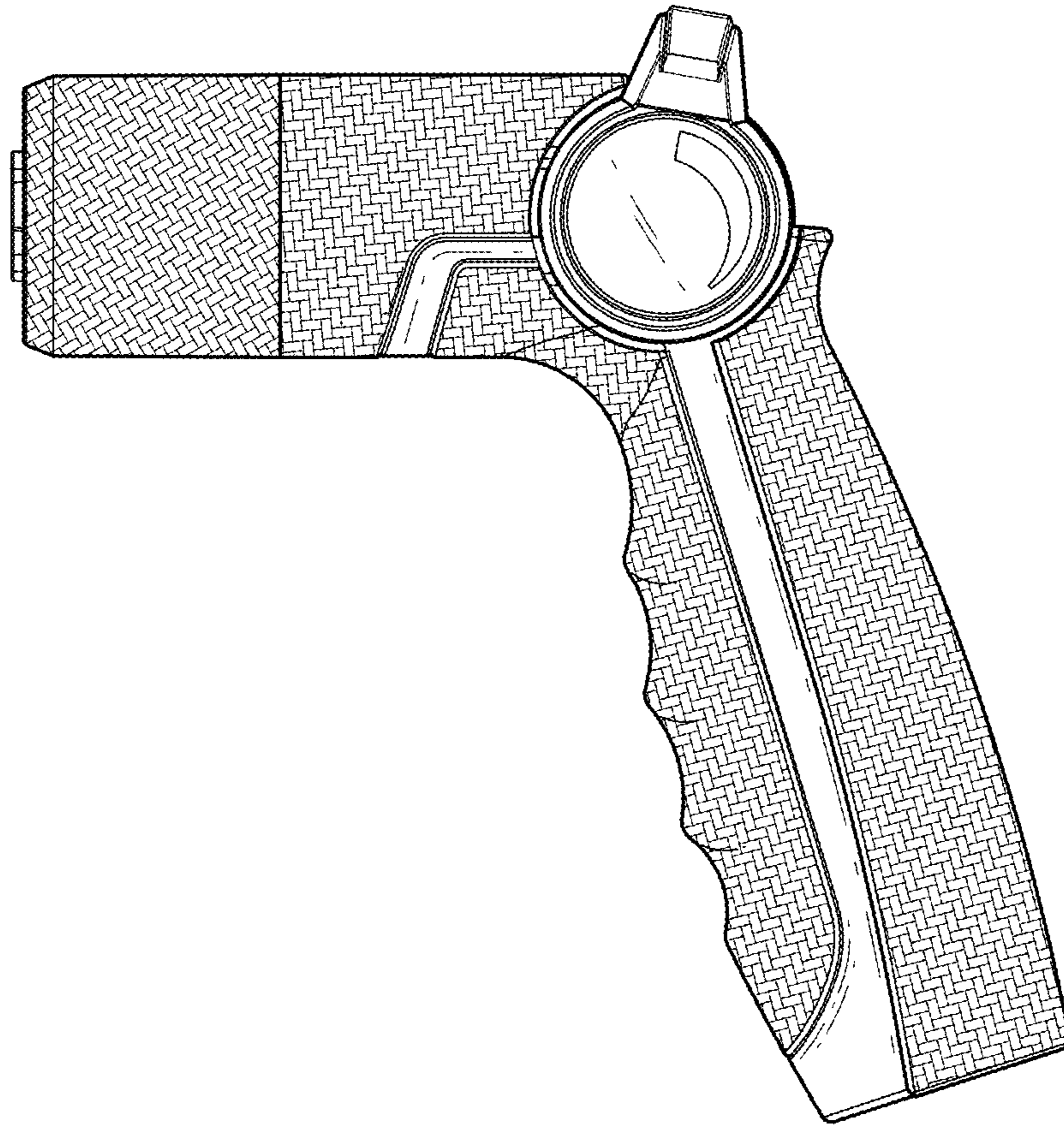


FIG.5



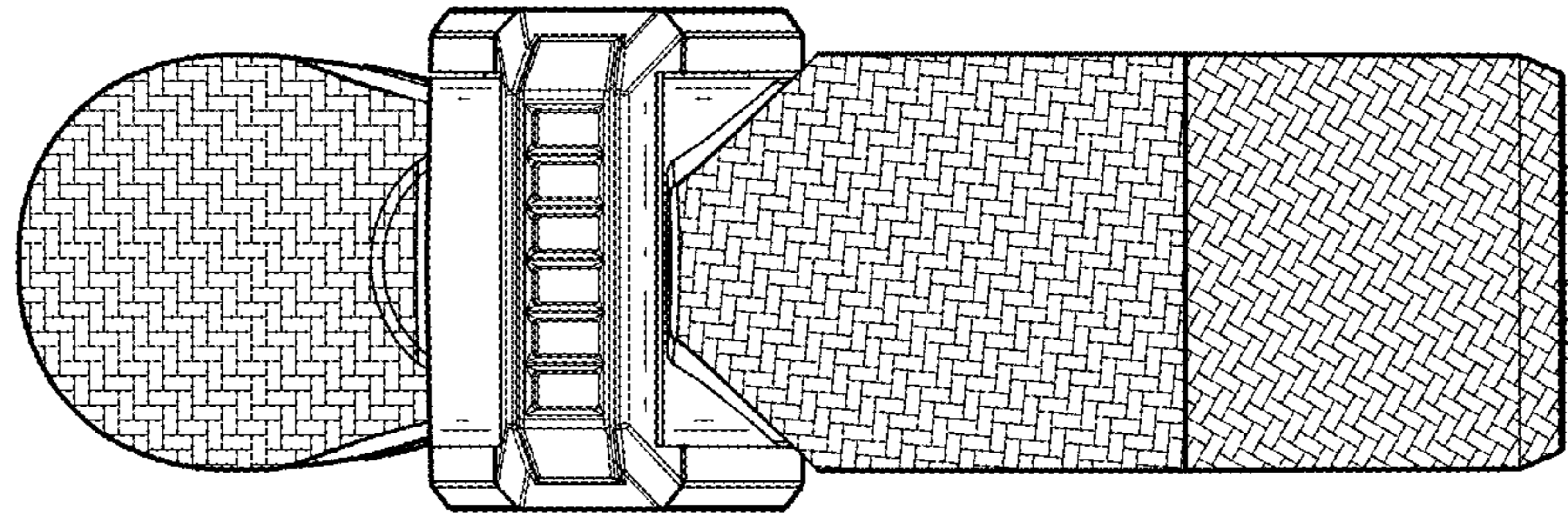


FIG.6

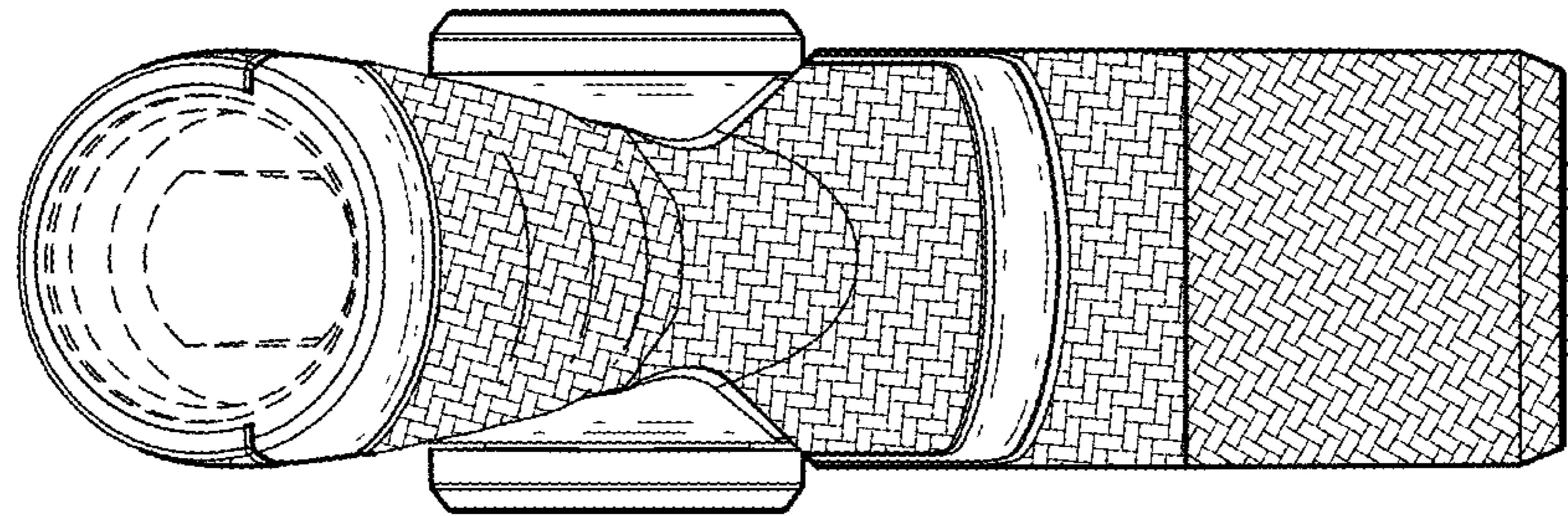


FIG.7