



US00D914135S

(12) **United States Design Patent**
Denmat

(10) **Patent No.:** **US D914,135 S**
(45) **Date of Patent:** **** Mar. 23, 2021**

- (54) **ADAPTER FOR A LIQUID SPRAY NOZZLE**
- (71) Applicant: **The Fountainhead Group, Inc.**, New York Mills, NY (US)
- (72) Inventor: **David Denmat**, Clinton, NY (US)
- (73) Assignee: **The Fountainhead Group, Inc.**, New York Mills, NY (US)
- (**) Term: **15 Years**
- (21) Appl. No.: **29/682,463**
- (22) Filed: **Mar. 5, 2019**
- (51) **LOC (13) Cl.** **23-01**
- (52) **U.S. Cl.**
USPC **D23/213**
- (58) **Field of Classification Search**
USPC D23/213, 214, 215, 223, 224, 226, 229, D23/230
CPC A61H 9/0021; A61H 33/00; B05B 1/00; B05B 1/14; B05B 1/185; B05B 1/08; B05B 1/02; B05B 1/26; B05B 12/002; B05B 1/18; B05B 9/01
See application file for complete search history.

D748,762 S *	2/2016	Naslund	D23/262
D774,163 S *	12/2016	Solakian	D23/213
D808,497 S *	1/2018	Naslund	D23/213
D808,498 S *	1/2018	Naslund	D23/213
D812,714 S *	3/2018	Hughes	D23/213

OTHER PUBLICATIONS

<https://www.amazon.com/dp/B00LMIN8JY/> (Year: 2014).*

* cited by examiner

Primary Examiner — Manpreet S Matharu

Assistant Examiner — Keith J Wilson

(74) *Attorney, Agent, or Firm* — Bond Schoeneck & King, PLLC; George McGuire

(57) **CLAIM**

The ornamental design for an adapter for a liquid spray nozzle, as shown and described.

DESCRIPTION

FIG. 1 is a perspective view of a new and ornamental design for an adapter for a liquid spray nozzle;
FIG. 2 is a perspective view thereof;
FIG. 3 is a front elevation view thereof;
FIG. 4 is a rear elevation view thereof;
FIG. 5 is a first side elevation view thereof;
FIG. 6 is a second side elevation view thereof;
FIG. 7 is a top plan view thereof; and,
FIG. 8 is a bottom plan view thereof.

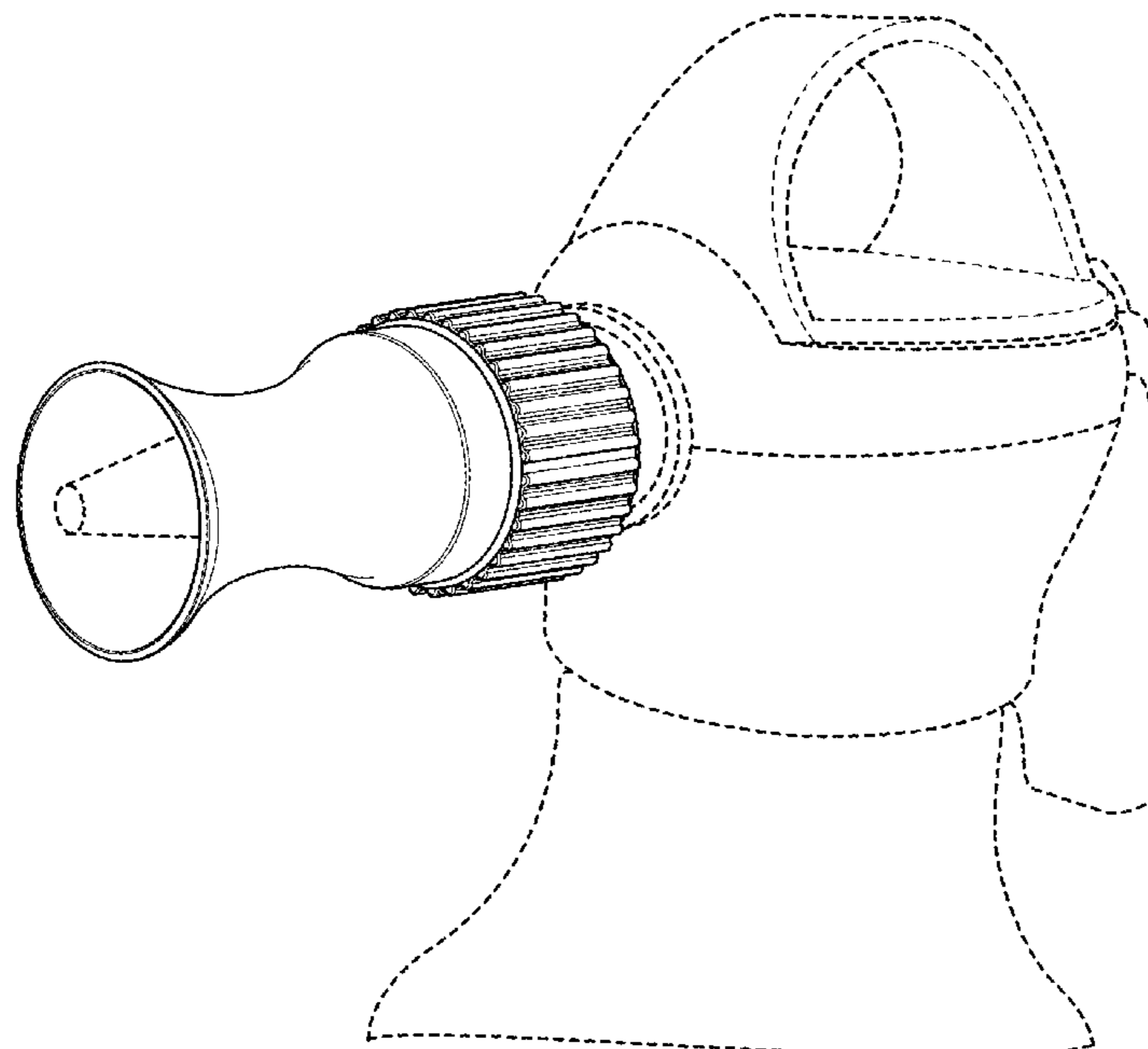
The broken line shown represents portions of an adapter for a liquid spray nozzle and forms no part of the claimed design.

1 Claim, 7 Drawing Sheets

(56) **References Cited**

U.S. PATENT DOCUMENTS

D415,554 S *	10/1999	Hui-Chen	D23/213
D473,284 S *	4/2003	Pong	D23/213
D482,428 S *	11/2003	Fulwider	D23/213
D565,697 S *	4/2008	Thiel	D23/213
D607,969 S *	1/2010	Ariaz	D23/213
D651,689 S *	1/2012	Chou	D23/213
D661,372 S *	6/2012	Zhou	D23/213
D704,799 S *	5/2014	Crawley	D23/213
D726,282 S *	4/2015	Ivy	D23/213
D747,440 S *	1/2016	Naslund	D23/213



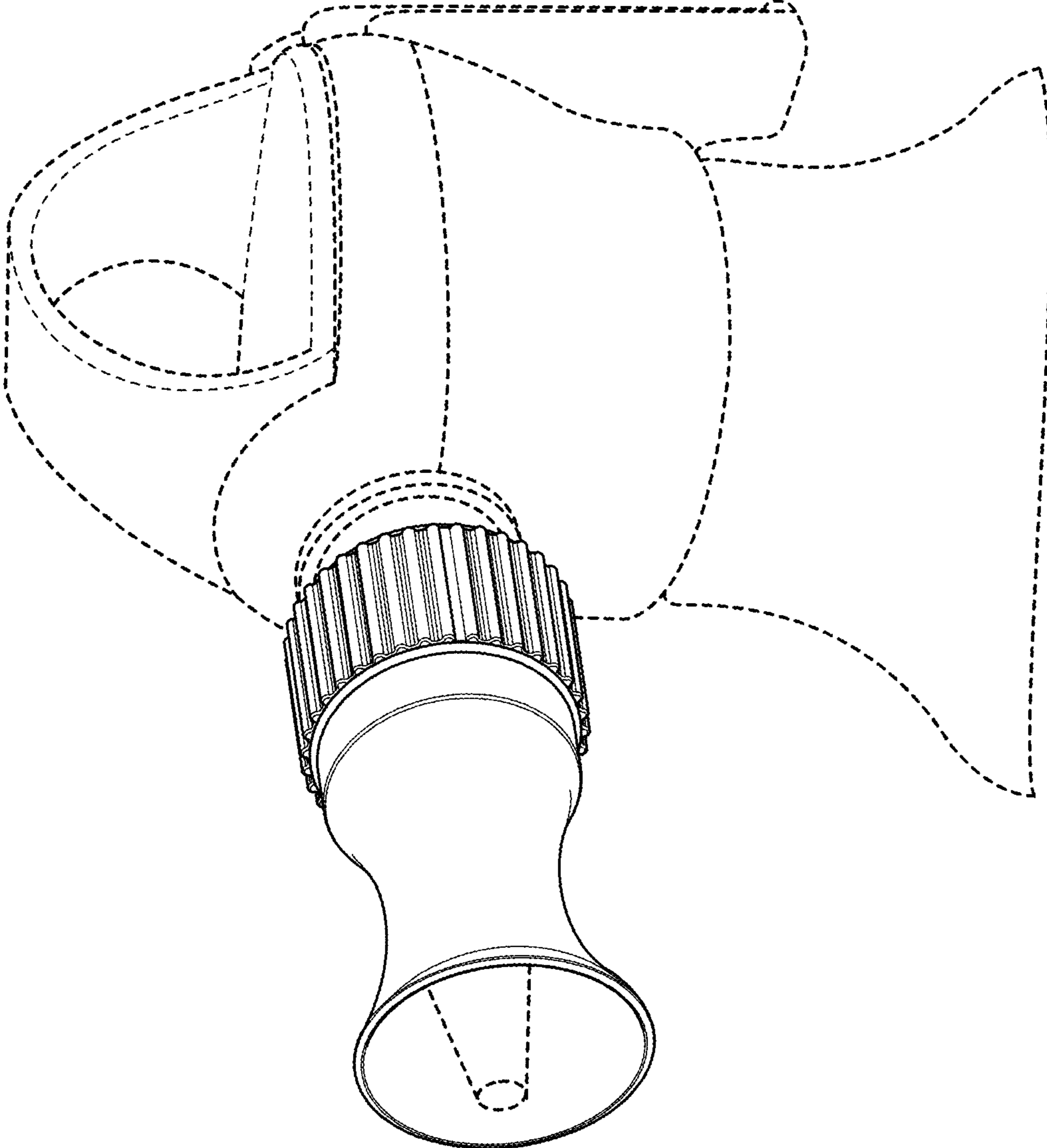


FIG. 1

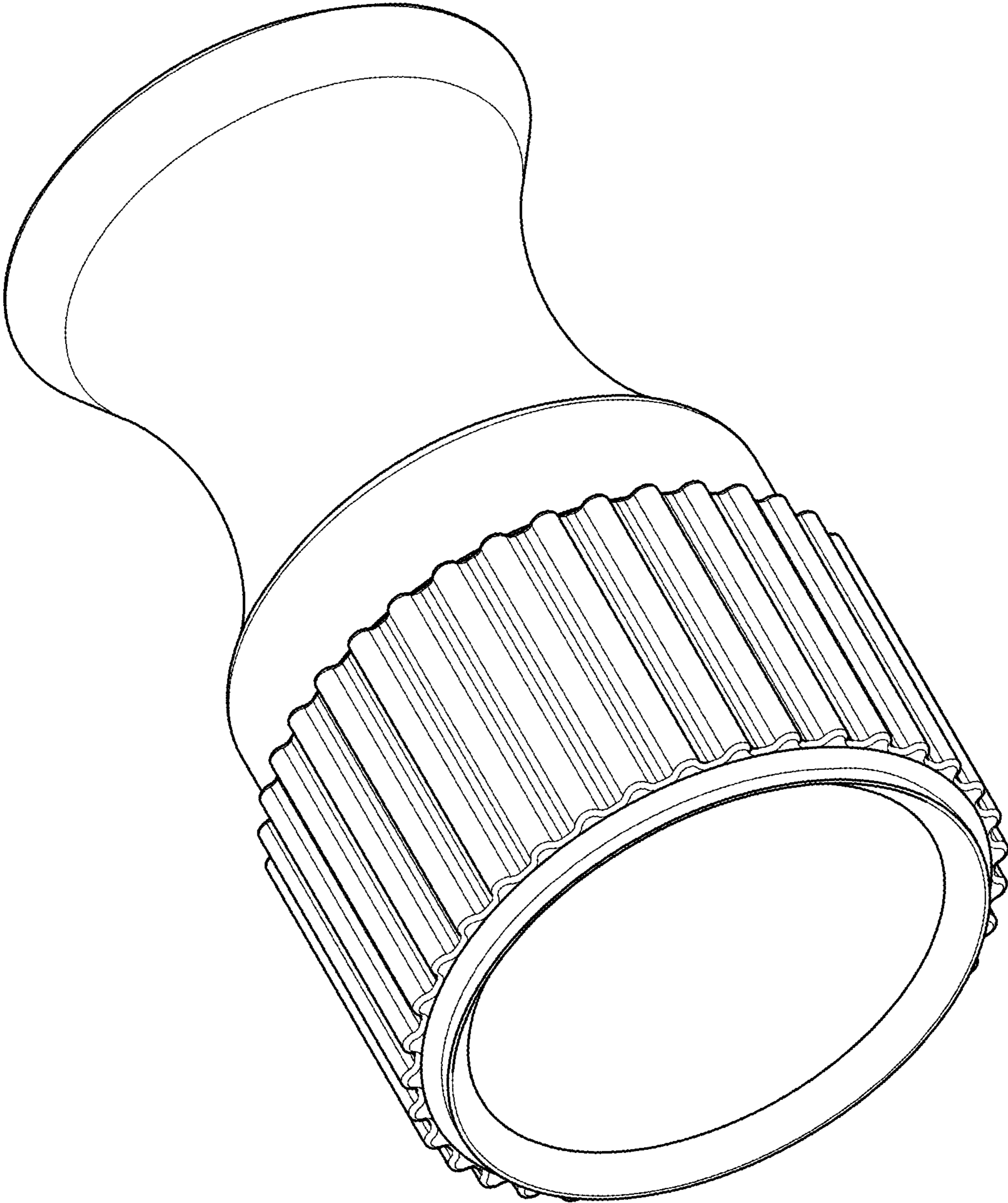


FIG. 2

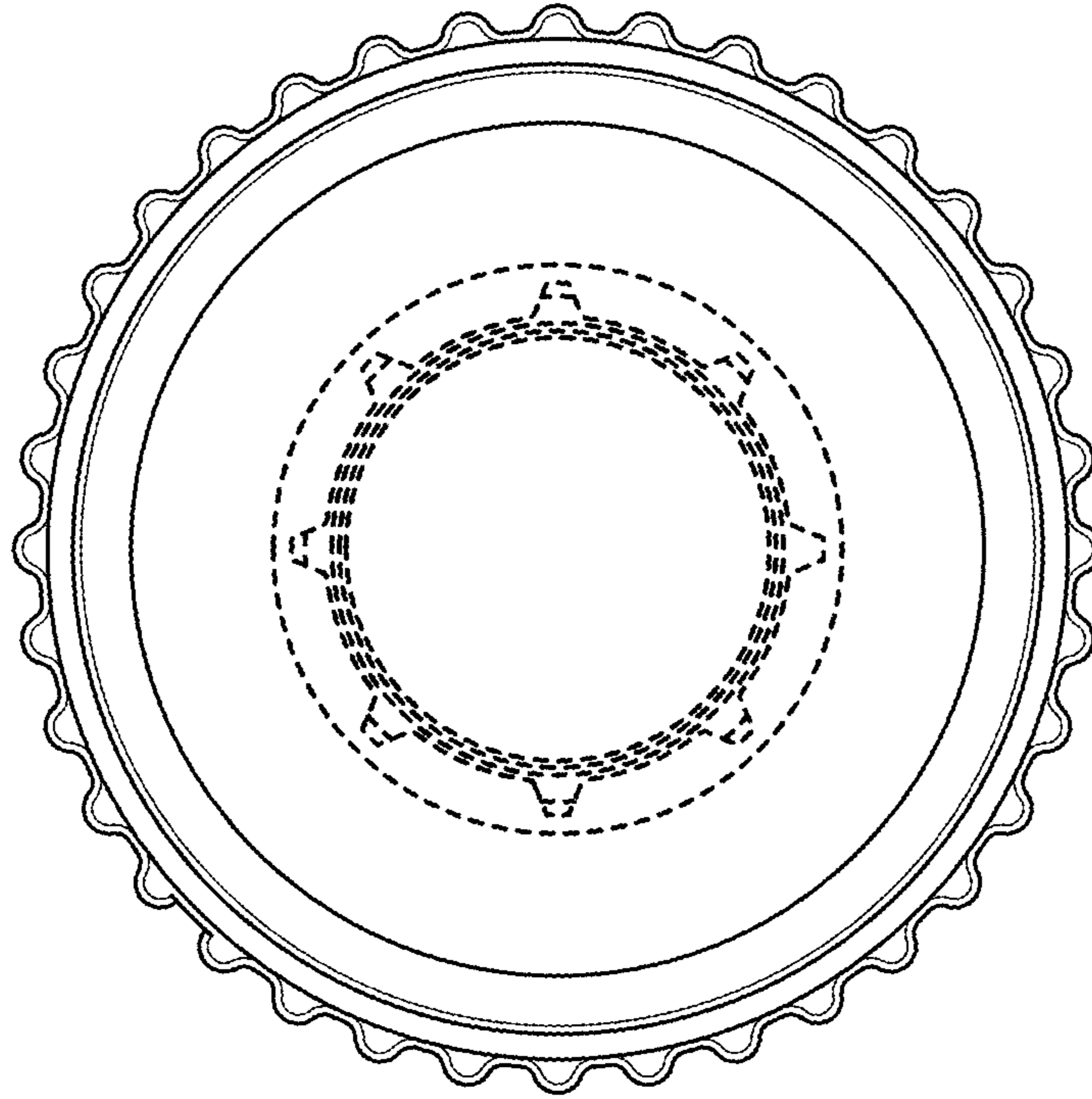


FIG. 3

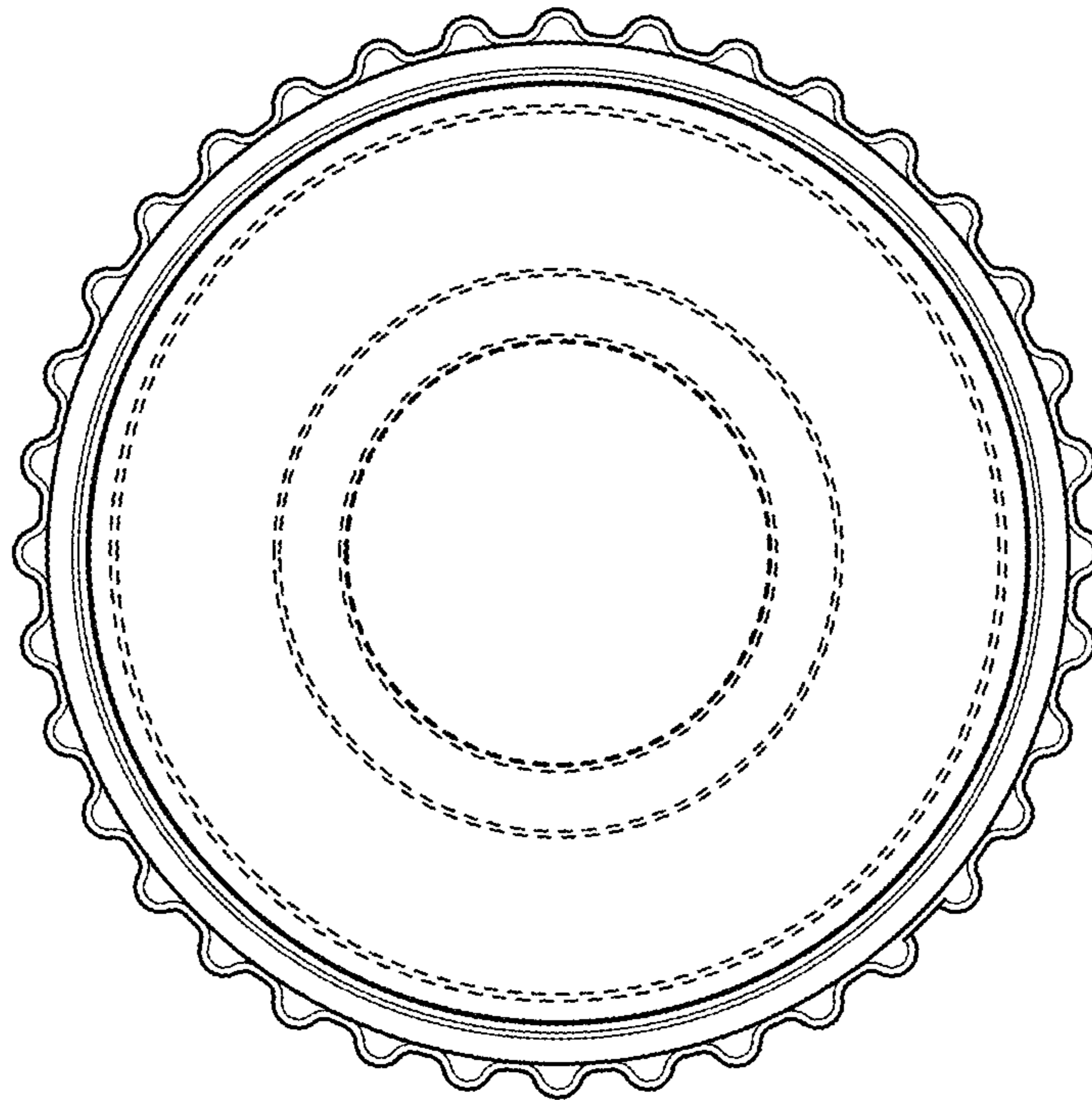


FIG. 4

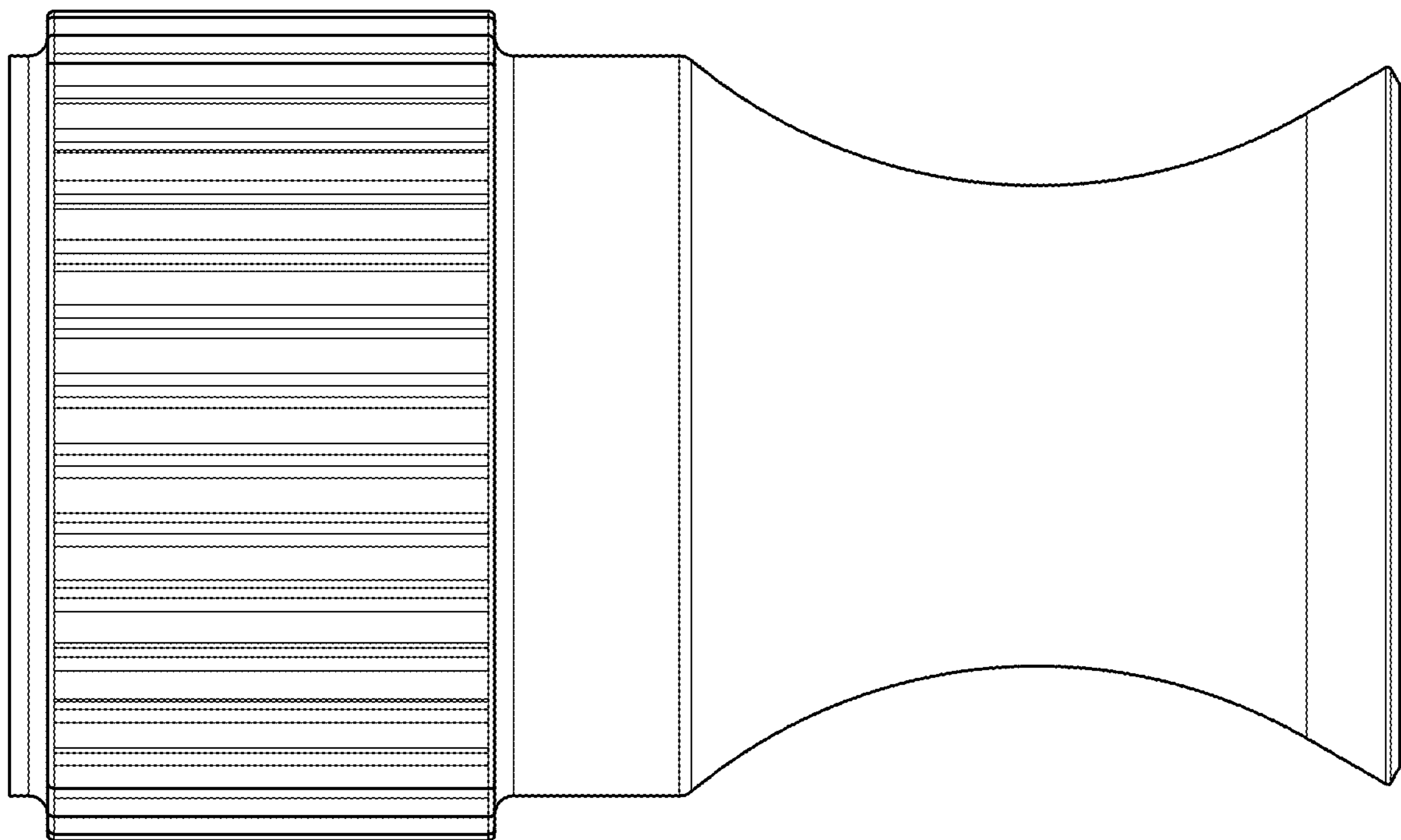


FIG. 5

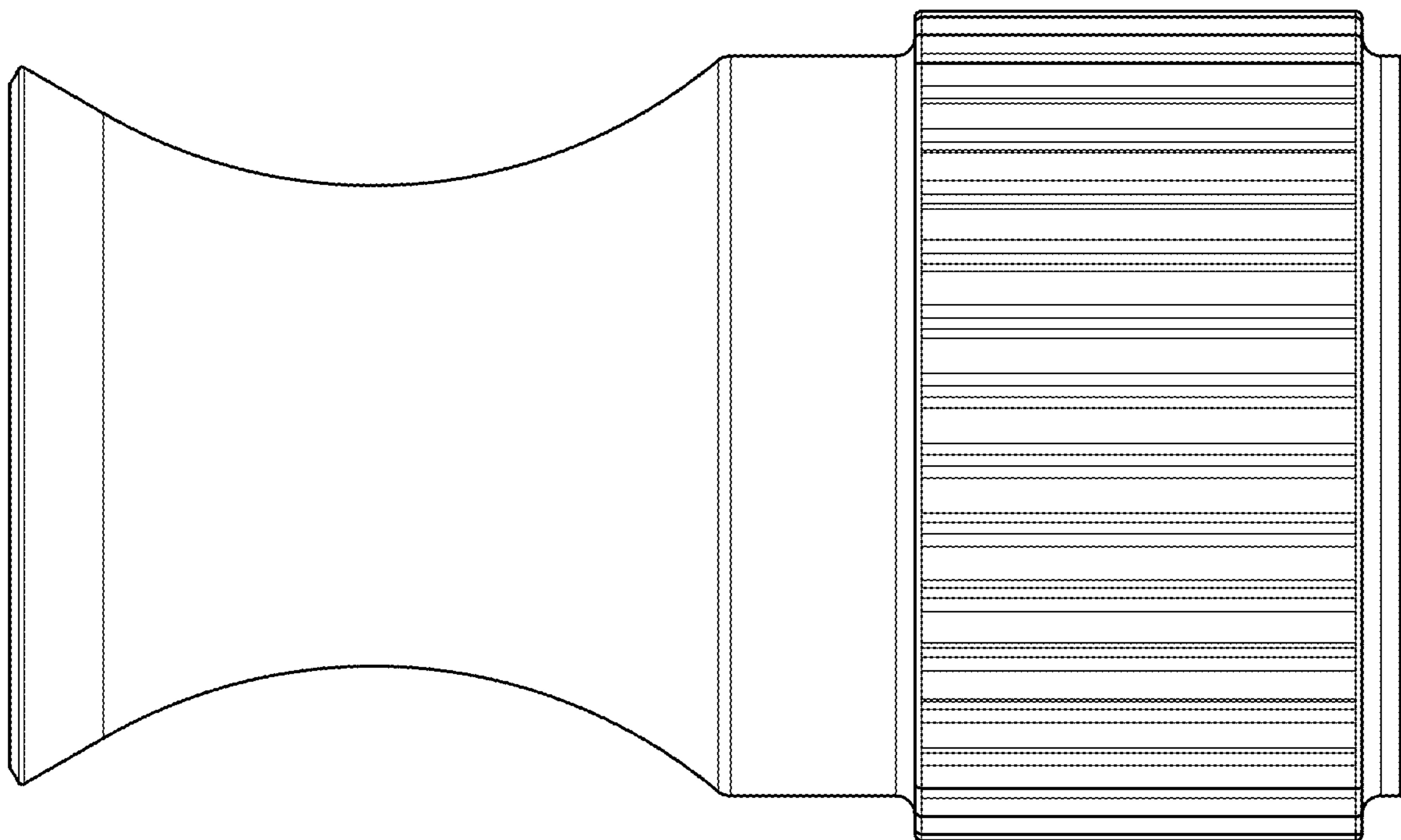


FIG. 6

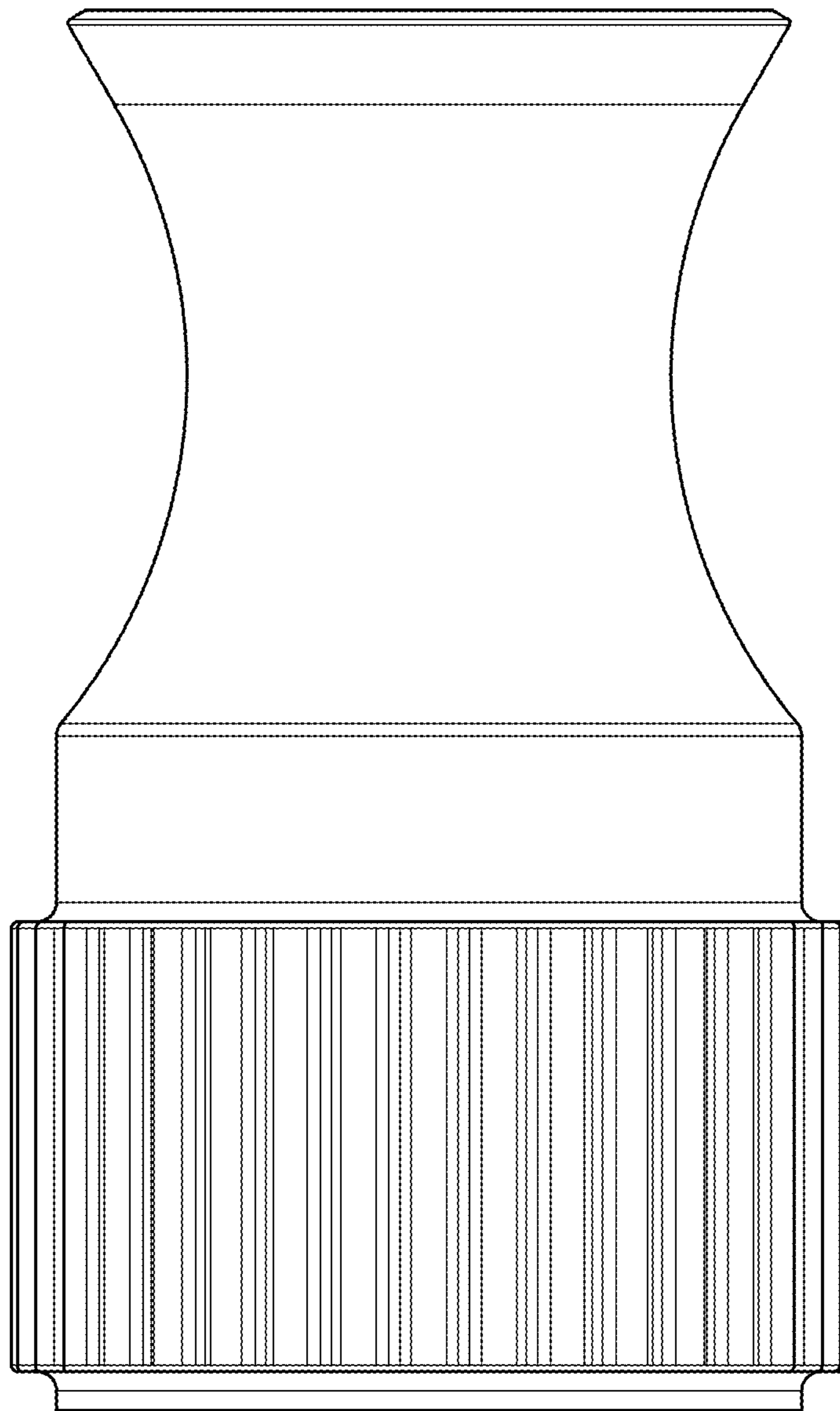


FIG. 7

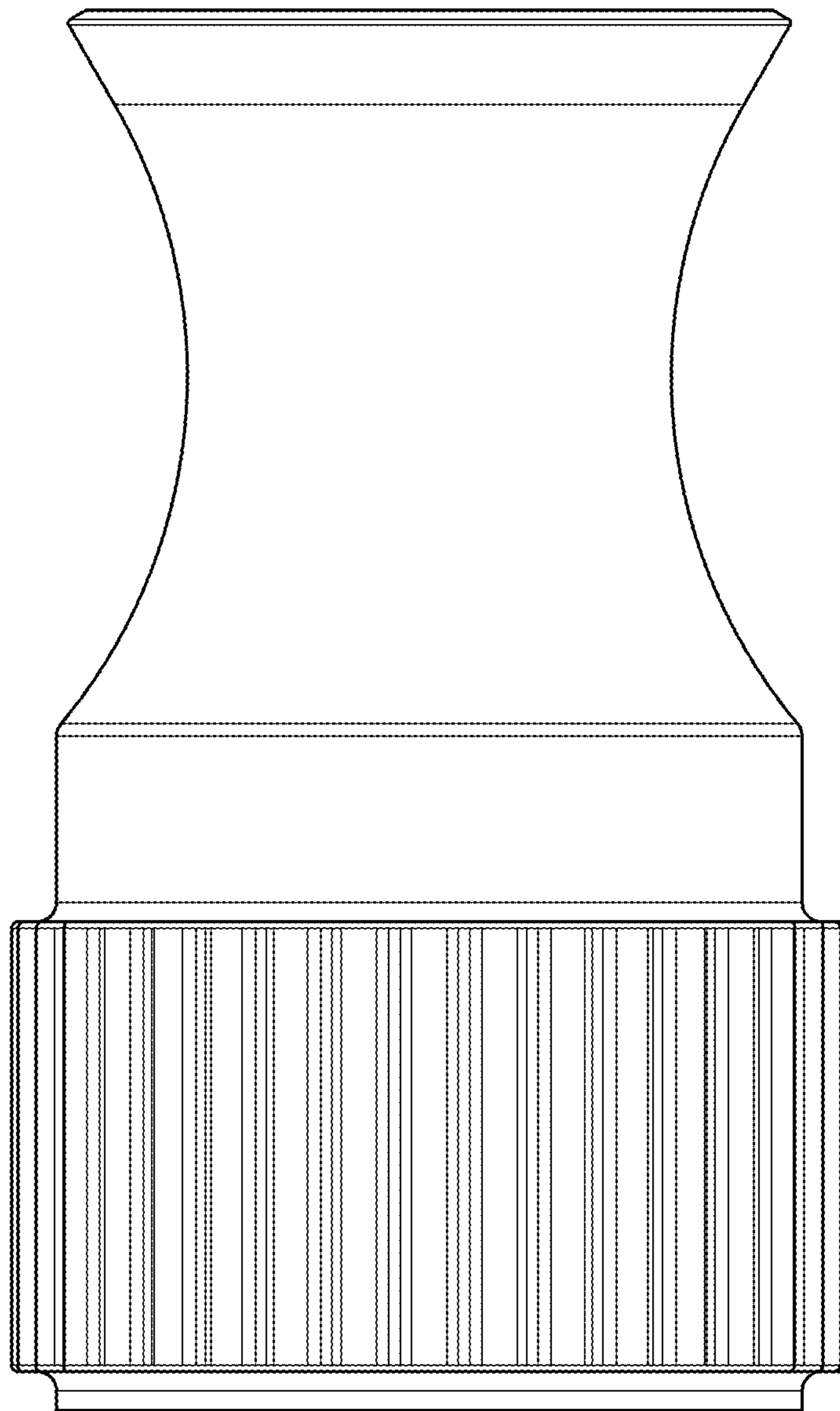


FIG. 8