



US00D914134S

(12) **United States Design Patent** (10) **Patent No.:** **US D914,134 S**
Eads (45) **Date of Patent:** **** Mar. 23, 2021**

(54) **SHOWERHEAD**
(71) Applicant: **DELTA FAUCET COMPANY,**
Indianapolis, IN (US)
(72) Inventor: **Thad Eads,** Urbana, IN (US)
(73) Assignee: **DELTA FAUCET COMPANY,**
Indianapolis, IN (US)
(**) Term: **15 Years**
(21) Appl. No.: **29/678,018**
(22) Filed: **Jan. 25, 2019**
(51) **LOC (13) Cl.** **23-01**
(52) **U.S. Cl.**
USPC **D23/213**
(58) **Field of Classification Search**
USPC D23/213, 214, 215, 223, 224, 226, 229,
D23/230
CPC A61H 9/0021; A61H 33/00; B05B 1/00;
B05B 1/14; B05B 1/185; B05B 1/08;
B05B 1/02; B05B 1/26; B05B 12/002;
B05B 1/18; B05B 9/01
See application file for complete search history.

D810,233 S * 2/2018 Winter D23/213
D810,234 S * 2/2018 Winter D23/213
D820,388 S * 6/2018 Seum D23/213
D822,157 S * 7/2018 L'Henaff D23/213
D832,398 S * 10/2018 Lin D23/223
D851,207 S * 6/2019 Cocks D23/213
D855,759 S * 8/2019 Winter D23/223

OTHER PUBLICATIONS

https://www.amazon.com/Methven-Aio-Adjustable-Shower-Chrome/dp/B075M5SZ45/ref=asc_df_B075M5SZ45/?tag=hyprod-20&linkCode=df0&hvadid=216766339349&hvpos=1o21&hvnetw=g&hvrnd=13894108441958243847&hvpone=&hyptwo=&hvqmt=&hvdev=c&hvdvcmdl=&hvlocint=&hvlocphy=9008192&hvtargid=pla-386071322080&psc=1 (Year: 2018).*

* cited by examiner

Primary Examiner — Manpreet S Matharu
Assistant Examiner — Keith J Wilson
(74) *Attorney, Agent, or Firm* — Nirav D. Parikh; Edgar A. Zarins

(57) **CLAIM**

The ornamental design for a showerhead, as shown and described.

(56) **References Cited**

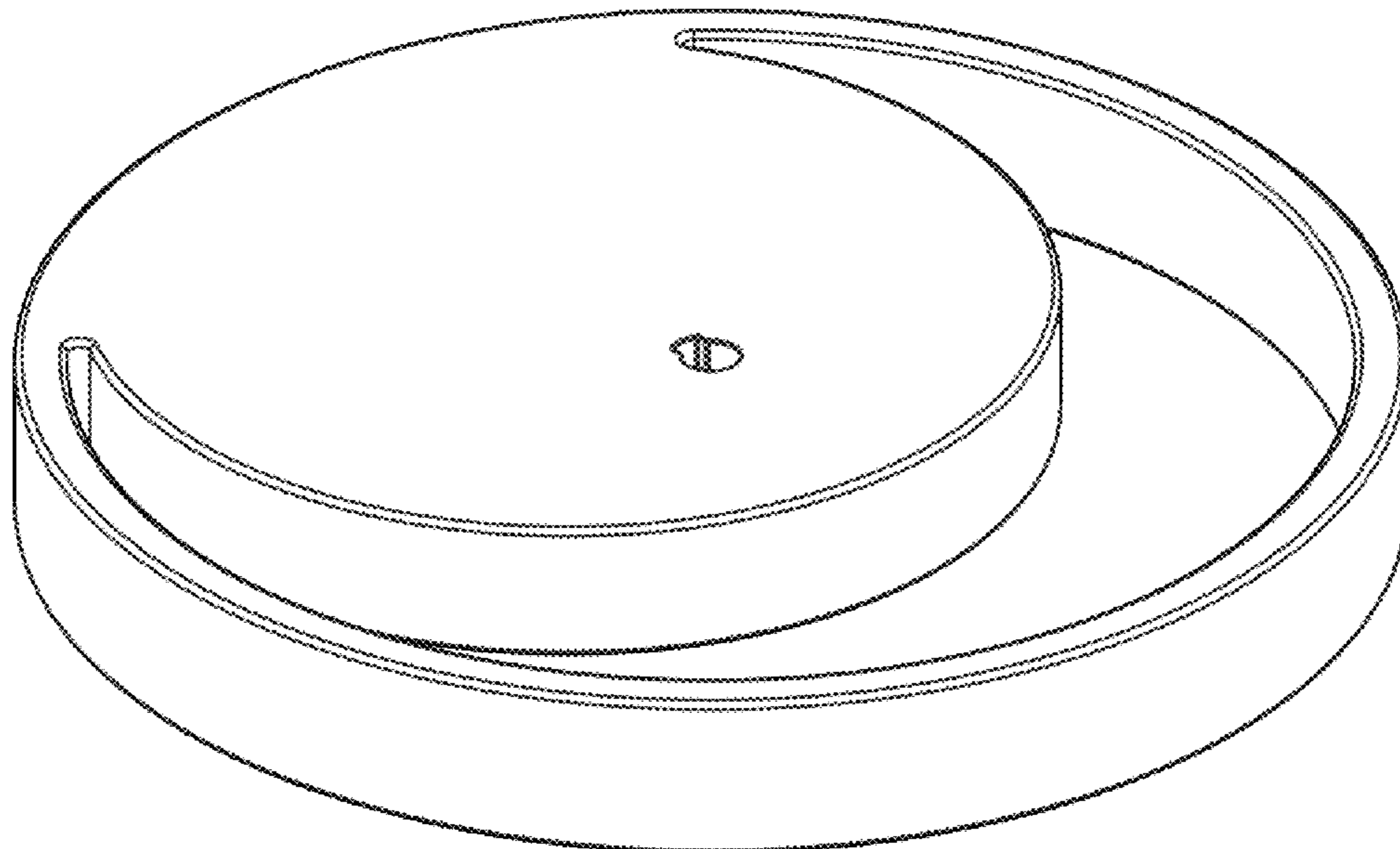
U.S. PATENT DOCUMENTS

D608,412 S * 1/2010 Barnard D23/223
D629,867 S * 12/2010 Rexach D23/213
D668,320 S * 10/2012 Weihreter D23/213
D673,649 S * 1/2013 Quinn D23/213
D674,046 S * 1/2013 Berger D23/223
D678,467 S * 3/2013 Quinn D23/223
D700,275 S * 2/2014 Ovans D23/213
D751,175 S * 3/2016 Schoenherr D23/213
D751,176 S * 3/2016 Schoenherr D23/213
D760,348 S * 6/2016 McCutcheon D23/213
D794,753 S * 8/2017 Miller D23/213

DESCRIPTION

FIG. 1 is a top perspective view of a showerhead showing my new design;
FIG. 2 is a bottom perspective view thereof;
FIG. 3 is a front elevational view thereof;
FIG. 4 is a bottom view thereof;
FIG. 5 is a rear view thereof;
FIG. 6 is a top plan view thereof;
FIG. 7 is a first side view thereof; and,
FIG. 8 is a second side view thereof.

1 Claim, 4 Drawing Sheets



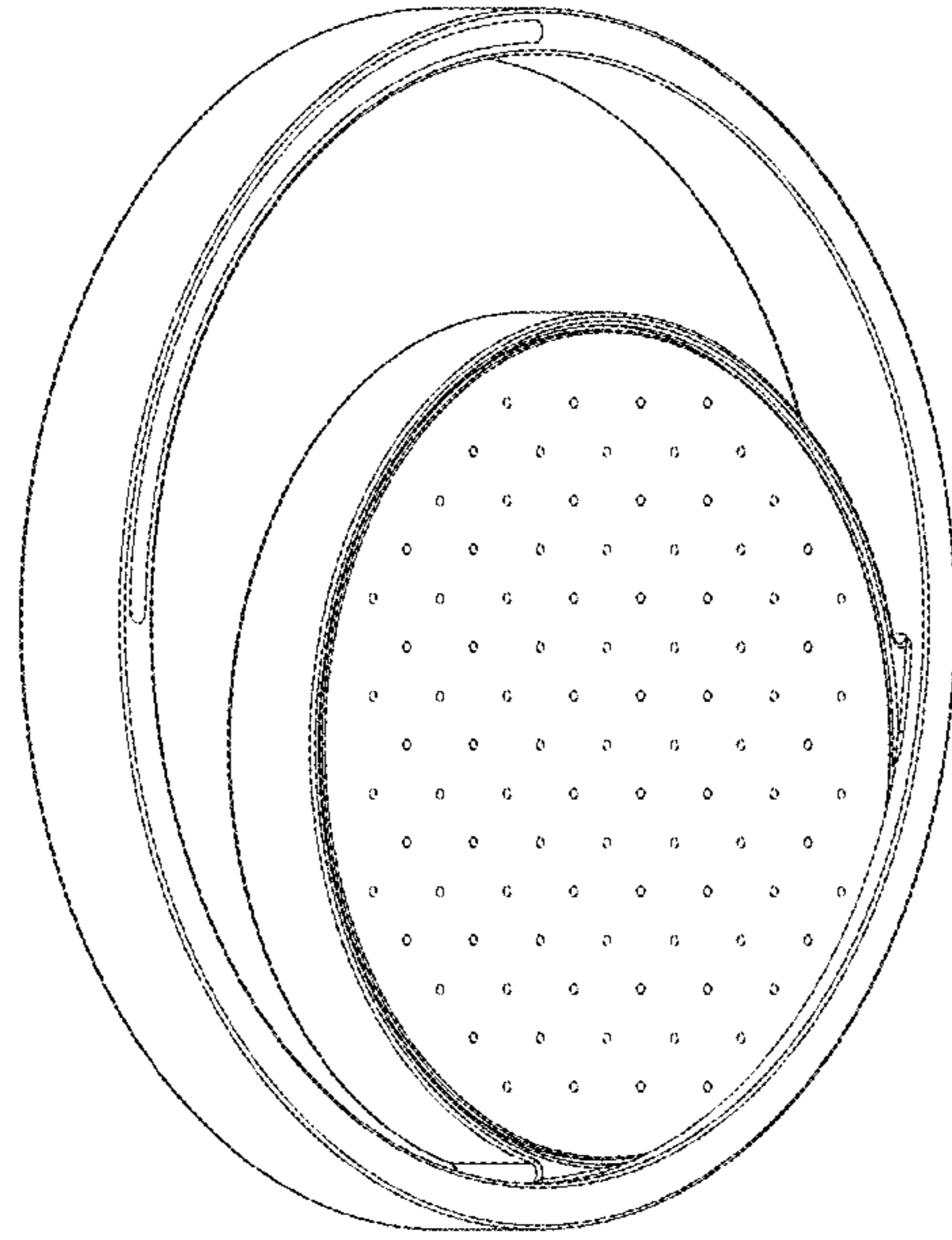


FIG - 2

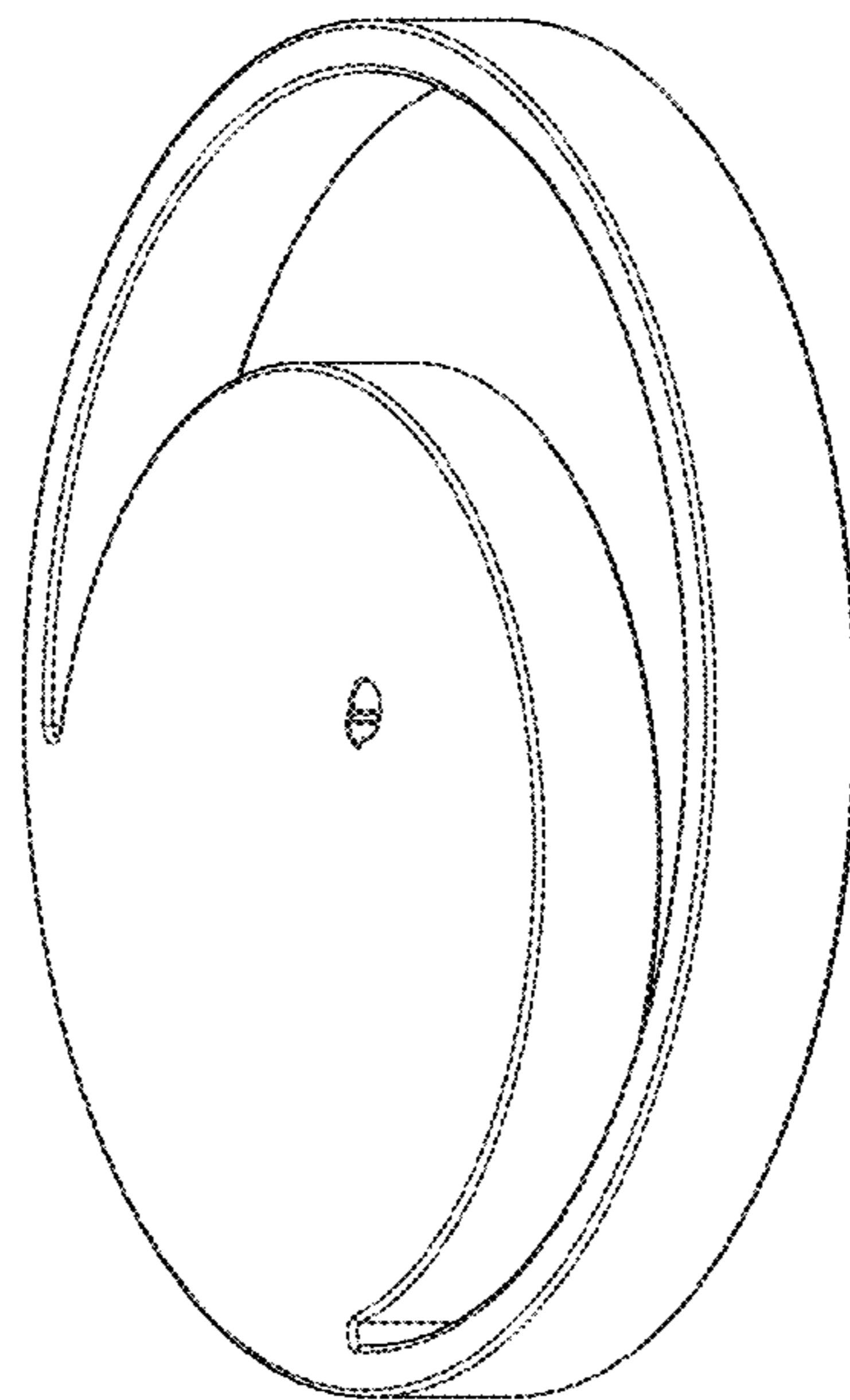


FIG - 1

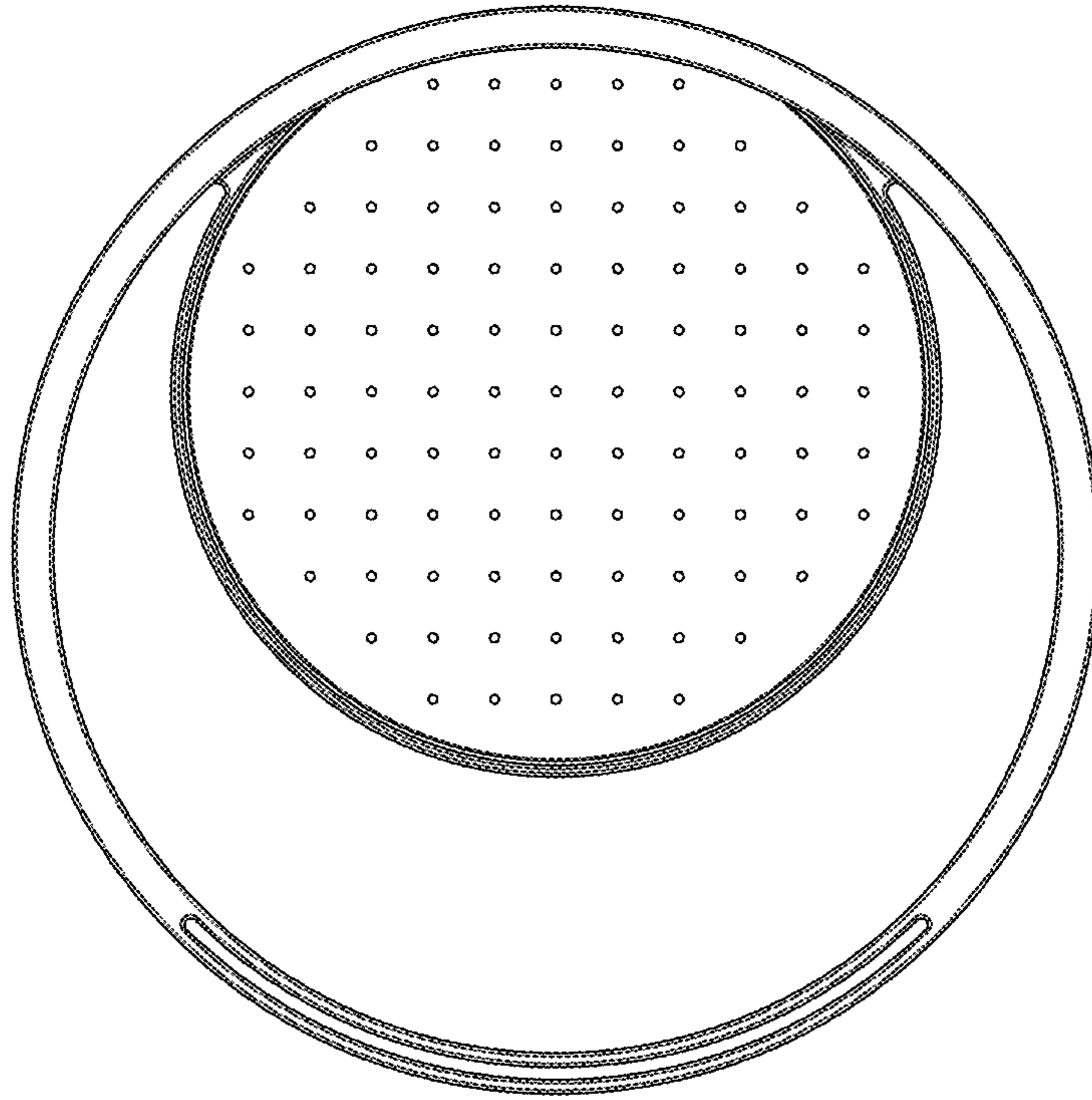


FIG - 4



FIG - 3

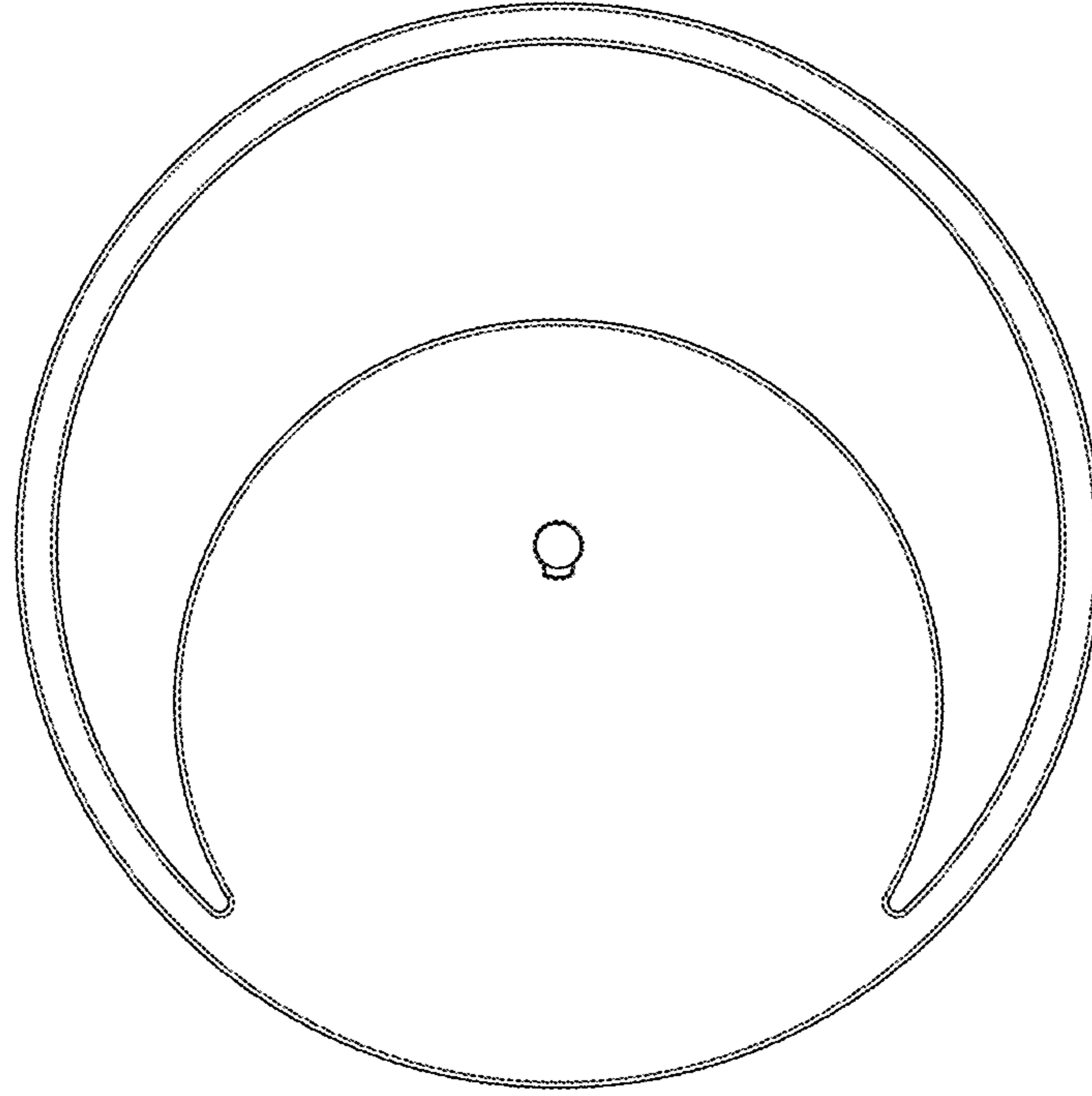


FIG - 6

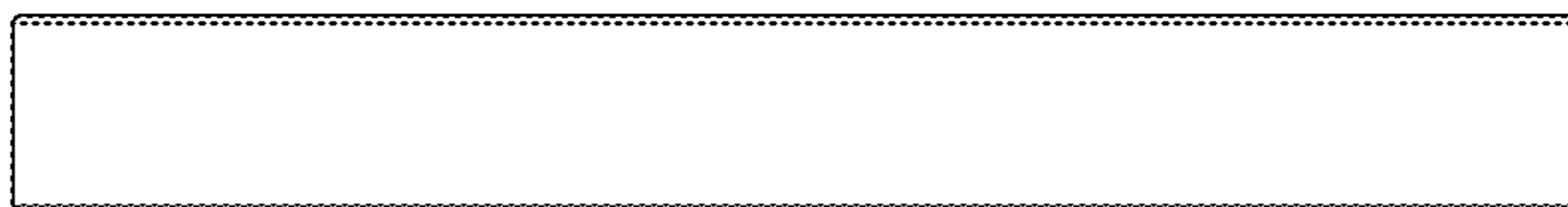


FIG - 5

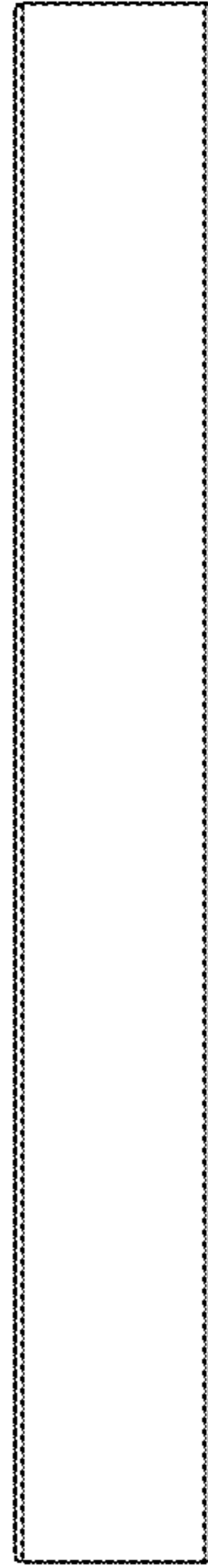


FIG - 8



FIG - 7