



US00D914133S

(12) **United States Design Patent** (10) **Patent No.:** **US D914,133 S**  
**Tayh et al.** (45) **Date of Patent:** **\*\* Mar. 23, 2021**

(54) **DISPENSING NOZZLE**  
(71) Applicant: **Deere & Company**, Moline, IL (US)  
(72) Inventors: **Ali Tayh**, Bettendorf, IA (US); **Nathan Tortorella**, Bettendorf, IA (US); **Ryan M. Gneiting**, Bettendorf, IA (US); **Jared Morrison**, La Porte City, IA (US); **Thomas M. Campen**, Davenport, IA (US); **Daniel J. Cox**, Davenport, IA (US)

D419,069 S \* 1/2000 Beck ..... D9/443  
D420,024 S \* 2/2000 Raterman ..... D15/144.1  
D423,529 S \* 4/2000 Raterman ..... D15/144.1  
D442,670 S \* 5/2001 Maddox ..... D23/213  
D443,021 S \* 5/2001 Maddox ..... D23/213  
6,257,445 B1 7/2001 Means et al.  
D495,398 S \* 8/2004 Yeager ..... D23/213  
6,769,577 B1 8/2004 Feierabend  
6,840,462 B2 \* 1/2005 Hurray ..... B05B 12/0024  
239/413  
D503,729 S \* 4/2005 de Leeuw ..... D15/144.2  
(Continued)

(73) Assignee: **Deere & Company**, Moline, IL (US)  
(\*\*) Term: **15 Years**  
(21) Appl. No.: **29/623,576**  
(22) Filed: **Oct. 25, 2017**

**OTHER PUBLICATIONS**

Pentamix™ Lite Automatic Mixing Unit. Product catalog [online]. 3M Catalog No. 77944, 3M ID 70201141994, 2018 [retrieved on Sep. 1, 2018]. Retrieved from the Internet: <[https://www.3m.com/3M/en\\_US/company-us/a11-3m-products/?N=5002385+3294075067&rt=rud](https://www.3m.com/3M/en_US/company-us/a11-3m-products/?N=5002385+3294075067&rt=rud)>.

*Primary Examiner* — Mark A Goodwin

**Related U.S. Application Data**

(63) Continuation of application No. 15/612,448, filed on Jun. 2, 2017.  
(51) **LOC (13) Cl.** ..... **23-01**  
(52) **U.S. Cl.**  
USPC ..... **D23/213; D15/144.2; D15/28**  
(58) **Field of Classification Search**  
USPC ..... **D15/28, 144.2; D23/213; 239/317, 239/589-601, 590.5**  
CPC ..... **B05B 1/3013; B05B 1/34; B05B 1/3402; B05B 1/11; B62D 25/48; B62D 47/0876; B62D 47/2031; B62D 83/0033**  
See application file for complete search history.

(57) **CLAIM**

The ornamental design for a dispensing nozzle, substantially as shown and described.

**DESCRIPTION**

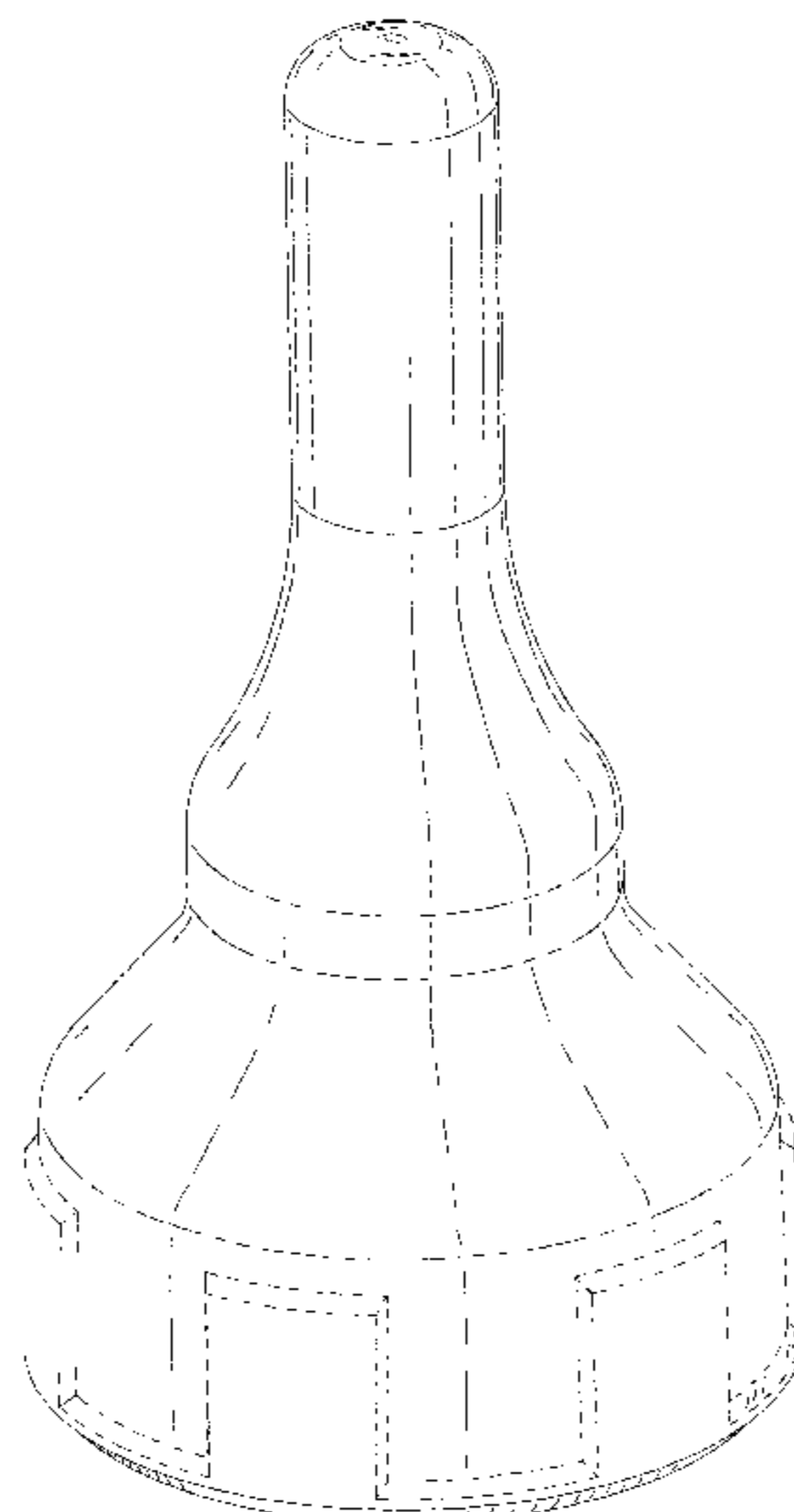
FIG. 1 is a perspective view of a dispensing nozzle showing our new design;  
FIG. 2 is a left side view thereof;  
FIG. 3 is a right side view thereof;  
FIG. 4 is a front view thereof;  
FIG. 5 is a rear view thereof; and,  
FIG. 6 is a top view thereof.  
The claimed design is shown in solid lines in the drawings. The portions of the drawings shown in broken lines form no part of the claimed design. The portions of the drawings shown in broken lines having unequal segments illustrate the boundary of the claimed design and form no part of the claimed design.

(56) **References Cited**

**U.S. PATENT DOCUMENTS**

4,601,427 A \* 7/1986 Trevathan ..... B05B 7/0018  
239/11  
5,358,179 A 10/1994 Lund et al.  
5,409,144 A 4/1995 Brown  
D366,051 S \* 1/1996 Lewis ..... D15/138  
D418,848 S \* 1/2000 Raterman ..... D15/144.1

**1 Claim, 6 Drawing Sheets**



(56)

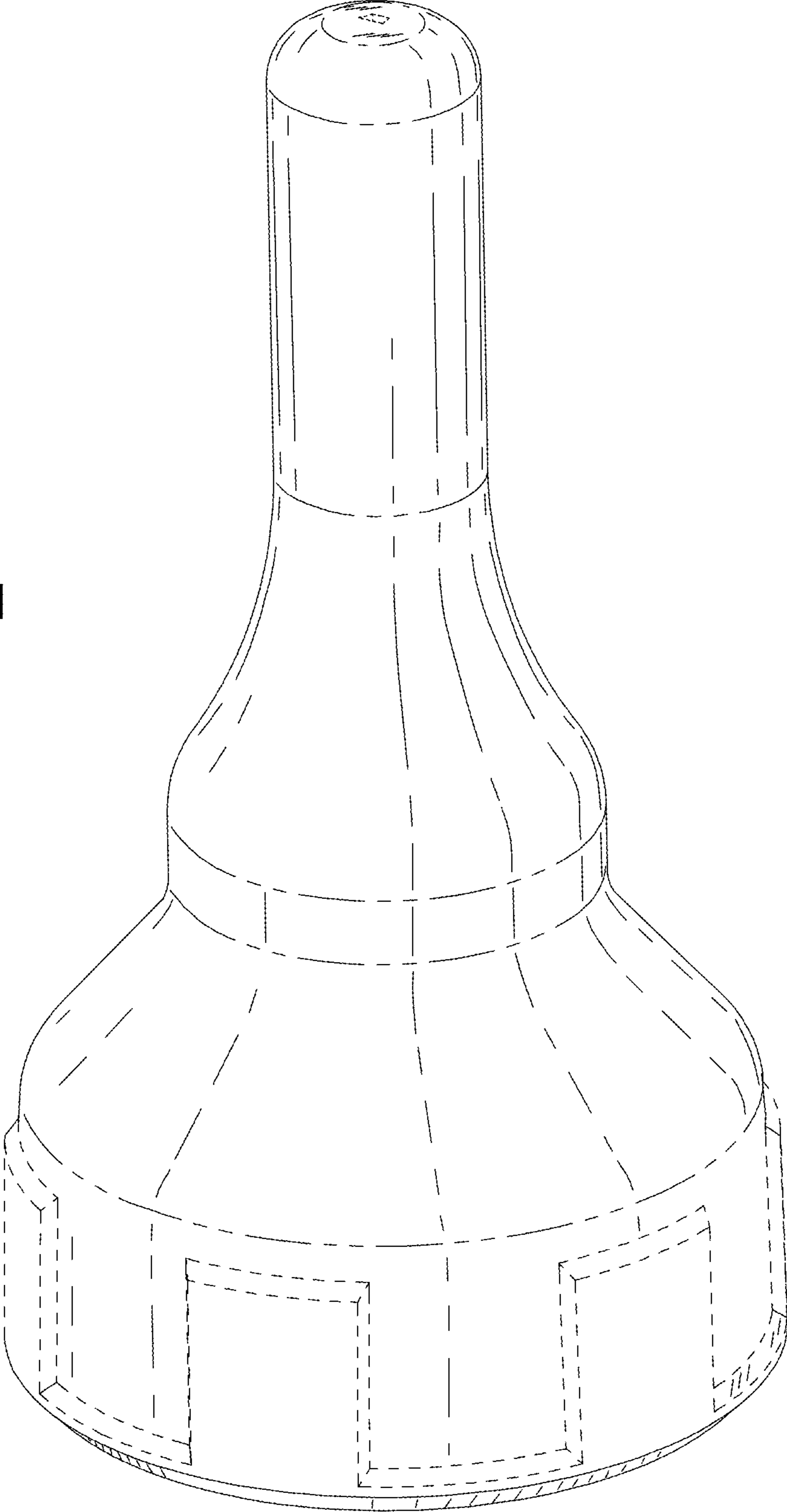
**References Cited**

U.S. PATENT DOCUMENTS

7,021,558	B2	4/2006	Chenanda et al.	
D548,904	S *	8/2007	Gansebom .....	D32/25
D584,150	S *	1/2009	Gibson .....	D9/445
7,717,357	B2 *	5/2010	Gantenbein .....	B05B 9/04 239/13
7,997,463	B2	8/2011	Quinn et al.	
D669,508	S	10/2012	Krink et al.	
8,656,909	B2	2/2014	Godfrey et al.	
D702,272	S	4/2014	Furujo et al.	
9,038,866	B2 *	5/2015	Nelson .....	B05C 5/0204 222/568
9,364,838	B2	6/2016	Parmentier	
9,446,207	B2	9/2016	Jung	
D771,248	S *	11/2016	Ruiz, Sr. ....	D24/133
D849,190	S *	5/2019	Boucher .....	D23/213
2002/0145061	A1 *	10/2002	Newbold .....	B21K 21/16 239/589
2016/0067656	A1	3/2016	Britcher et al.	
2016/0228890	A1 *	8/2016	Votteler .....	B05B 1/3033
2016/0263593	A1 *	9/2016	Keim .....	B05B 1/30
2019/0289760	A1 *	9/2019	Cheng .....	B05C 11/1005

\* cited by examiner

FIG. 1



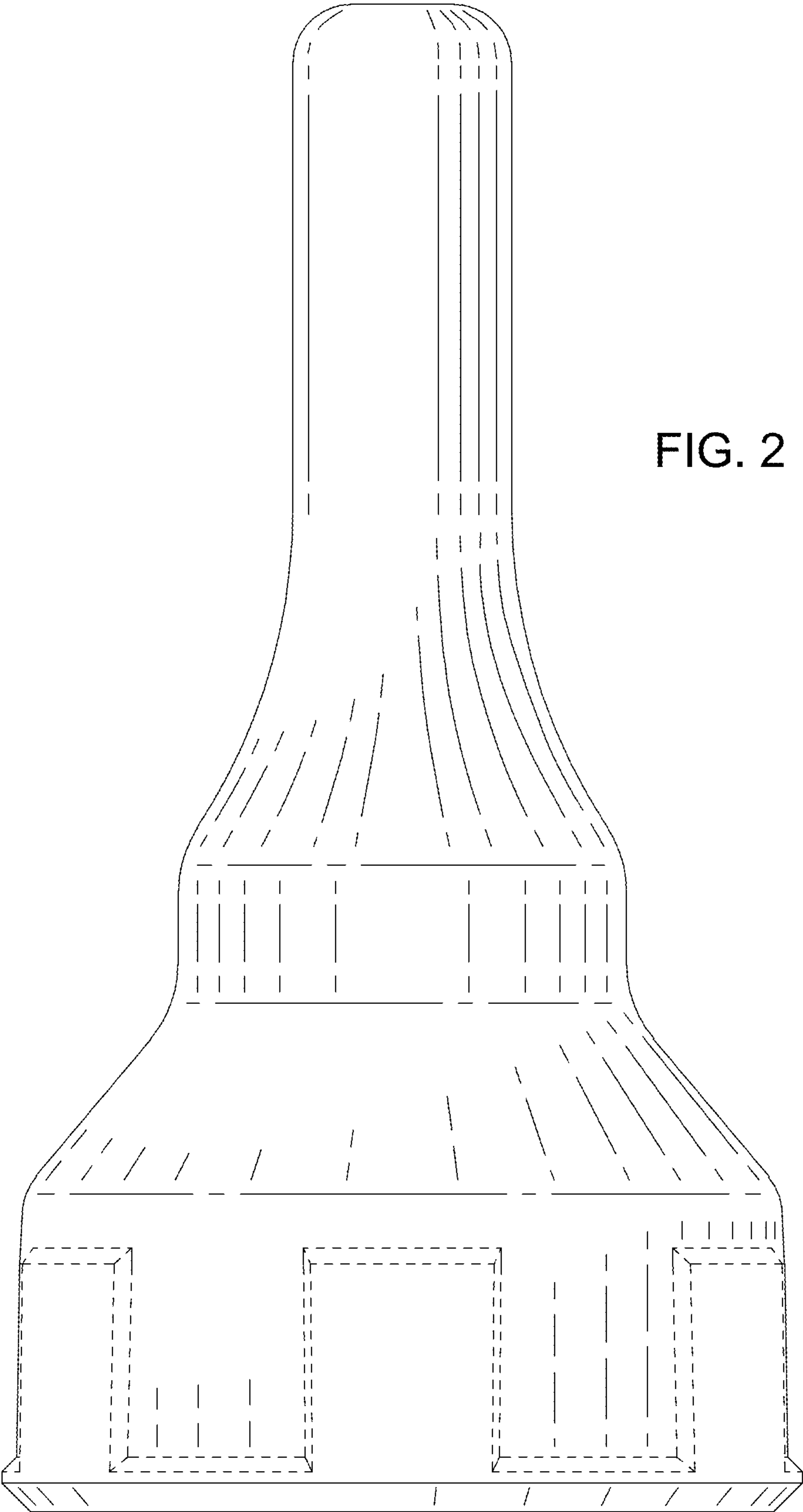


FIG. 2

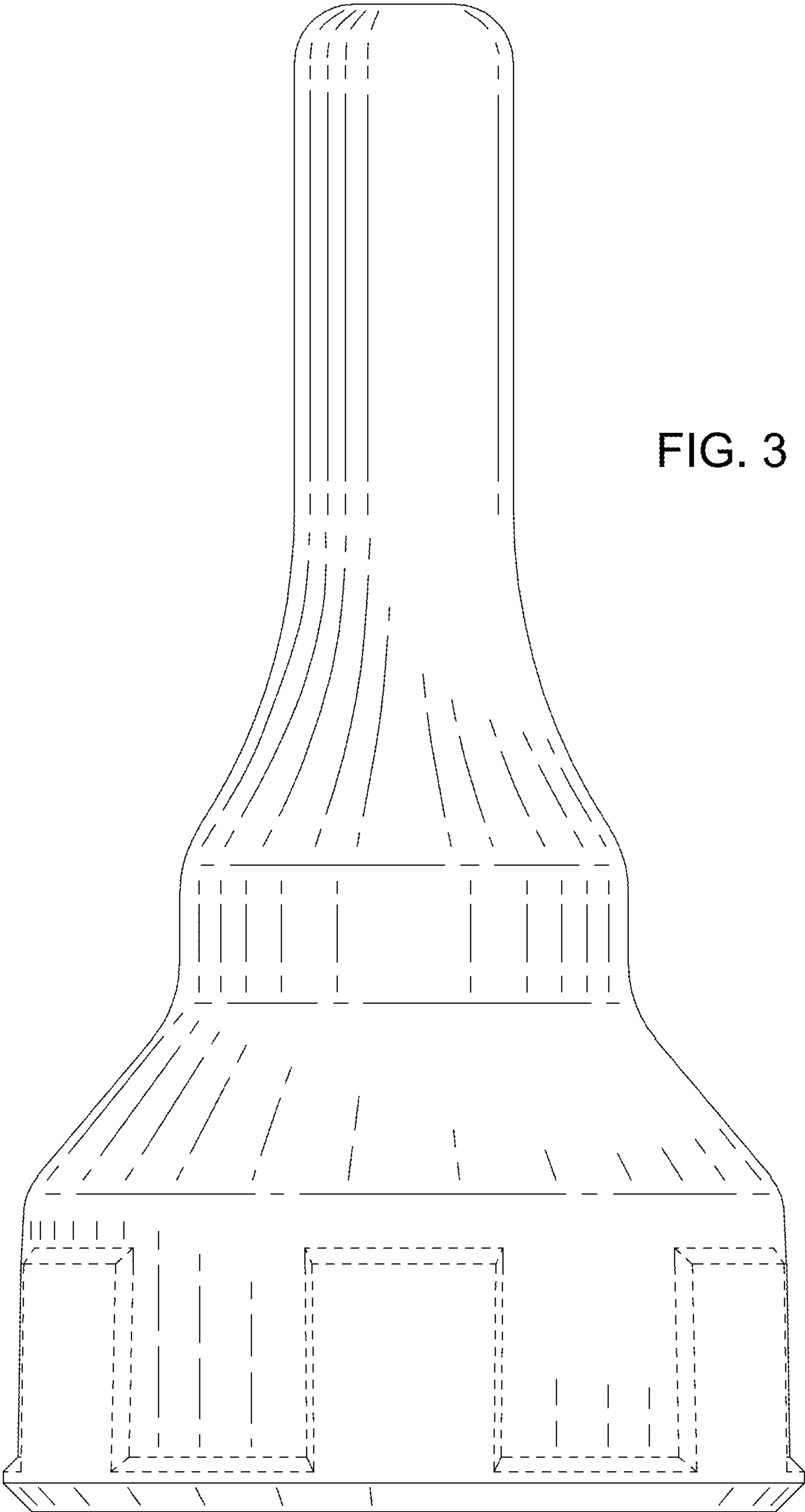


FIG. 3

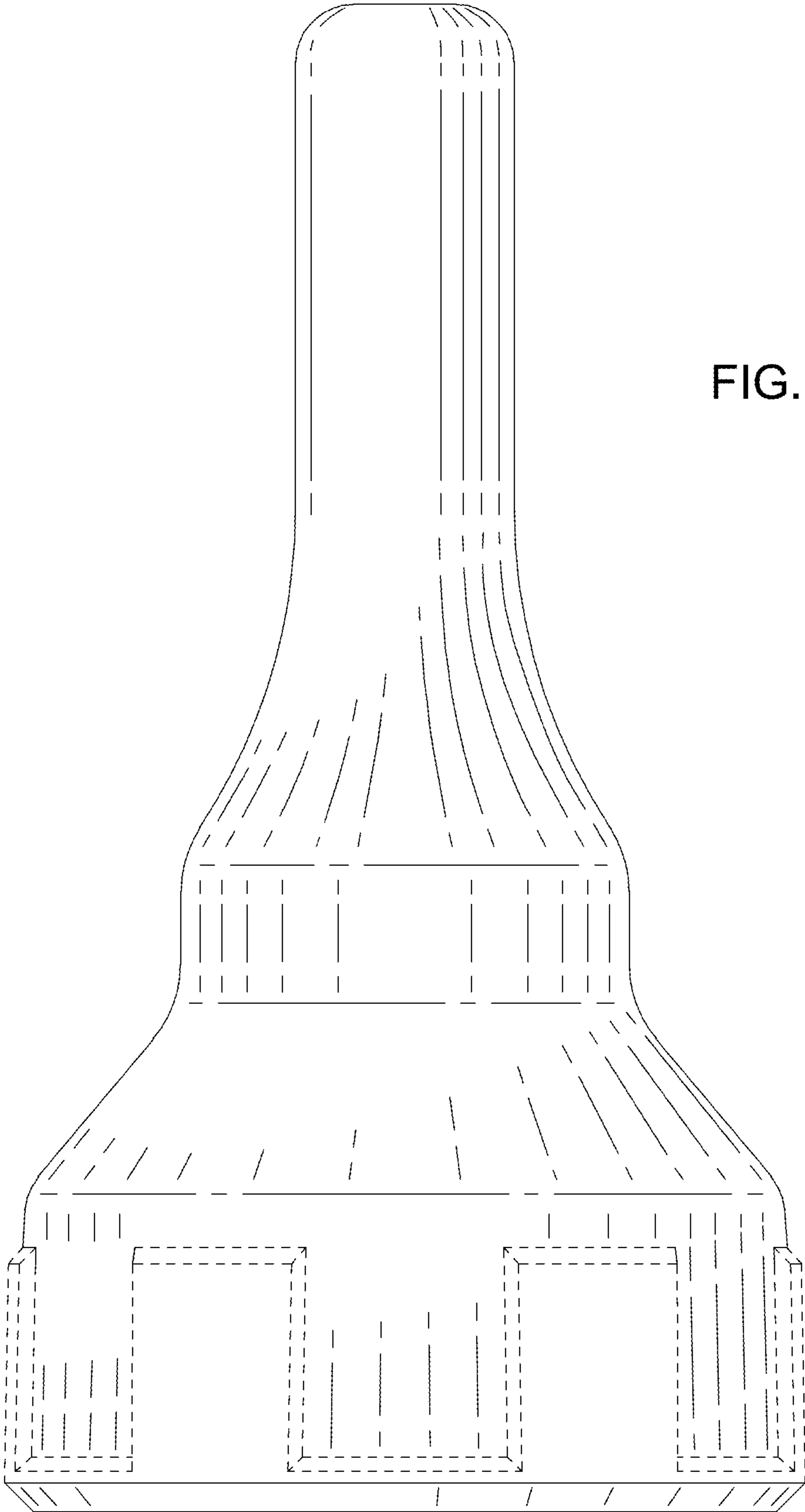


FIG. 4

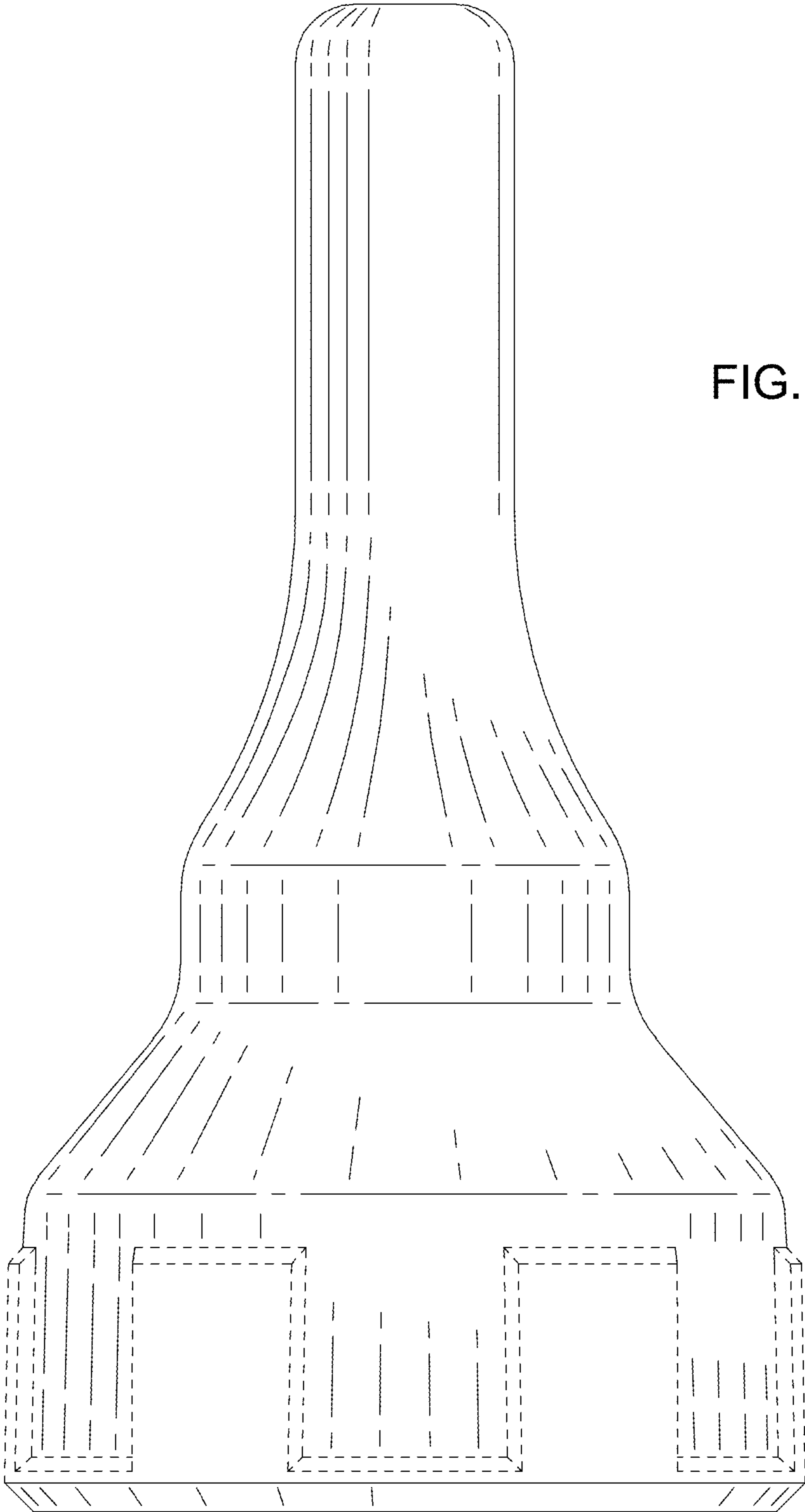


FIG. 5

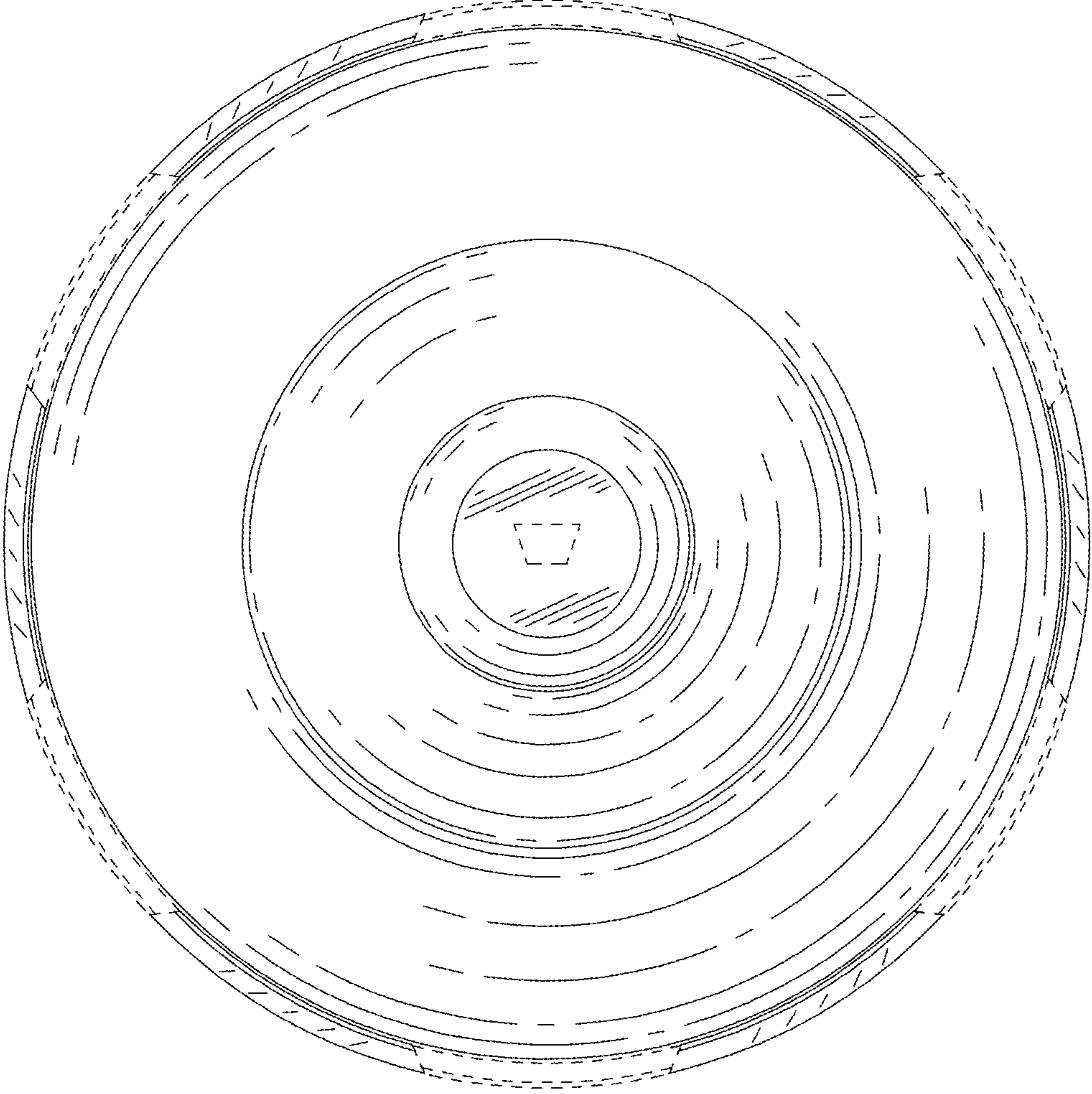


FIG. 6