



US00D914132S

(12) **United States Design Patent** (10) **Patent No.:** **US D914,132 S**
Miller et al. (45) **Date of Patent:** **** Mar. 23, 2021**

(54) **WATER FILTER STAND**

D737,404 S * 8/2015 Claussen D23/214
D831,785 S * 10/2018 Atwell D23/209
2012/0110903 A1* 5/2012 Adams A47G 7/041
47/39

(71) Applicant: **CAMCO MANUFACTURING, INC.**,
Greensboro, NC (US)

(72) Inventors: **Christopher Miller**, Greensboro, NC
(US); **Brandon Wayne Blakely**,
Burlington, NC (US)

(73) Assignee: **Camco Manufacturing, Inc.**,
Greensboro, NC (US)

(**) Term: **15 Years**

(21) Appl. No.: **29/695,892**

(22) Filed: **Jun. 24, 2019**

(51) **LOC (13) Cl.** **23-01**

(52) **U.S. Cl.**
USPC **D23/209**

(58) **Field of Classification Search**
USPC D23/207-210, 211, 214-215; D6/512,
D6/551, 556, 672, 680; D7/700
CPC A47G 7/02; A47G 29/00; A47J 47/16
See application file for complete search history.

(56) **References Cited**

U.S. PATENT DOCUMENTS

D177,698 S * 5/1956 Scanland D11/130.1
D280,687 S * 9/1985 Baldrige D25/67
5,687,855 A * 11/1997 Heller A47K 1/09
211/65
D448,978 S * 10/2001 Isbell D7/619.1
D480,014 S * 9/2003 Goerke D11/130.1
D515,877 S * 2/2006 Czepowicz D7/619.1
D583,757 S * 12/2008 Sodemann D13/122
D634,167 S * 3/2011 Foster D7/700

OTHER PUBLICATIONS

Cameo, announced Feb. 23, 2016[online], [site visited Jan. 12, 2021], Available from internet, URL:<<https://www.amazon.com/Camco-Universal-Supports-Position-40775/dp/B016V2EANI>> (Year: 2016).*

Camco 2N1, announced Date unavailable [online], [site visited Jan. 12, 2021], Available from internet, URL:<<http://www.camco.net/camco-2-in-1-water-filter-stand-40777>> (Year: 2020).*

* cited by examiner

Primary Examiner — Barbara Fox

Assistant Examiner — Jamaal Rasheed

(74) *Attorney, Agent, or Firm* — Tuggle Duggins P.A.;
Blake P. Hurt

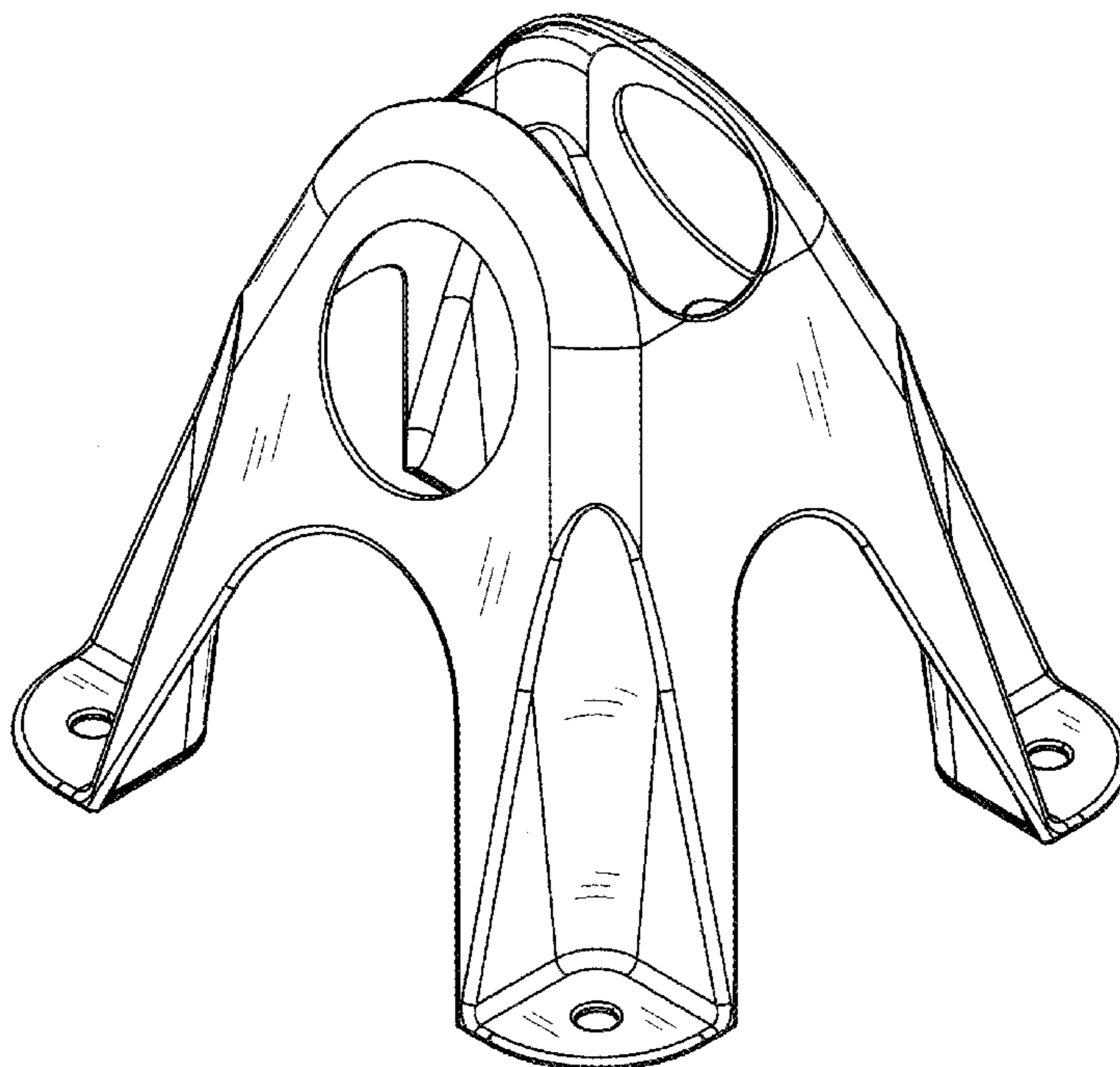
(57) **CLAIM**

The ornamental design for a water filter stand, as shown and described.

DESCRIPTION

FIG. 1 is a top, front, right side perspective view of a water filter stand showing our new design;
FIG. 2 is a bottom, rear, left side perspective view thereof;
FIG. 3 is a front elevational view thereof, the rear elevational view being a mirror image thereof;
FIG. 4 is a right side elevational view thereof, the left side elevational view being a mirror image thereof;
FIG. 5 is a top plan view thereof; and,
FIG. 6 is a bottom plan view thereof.

1 Claim, 6 Drawing Sheets



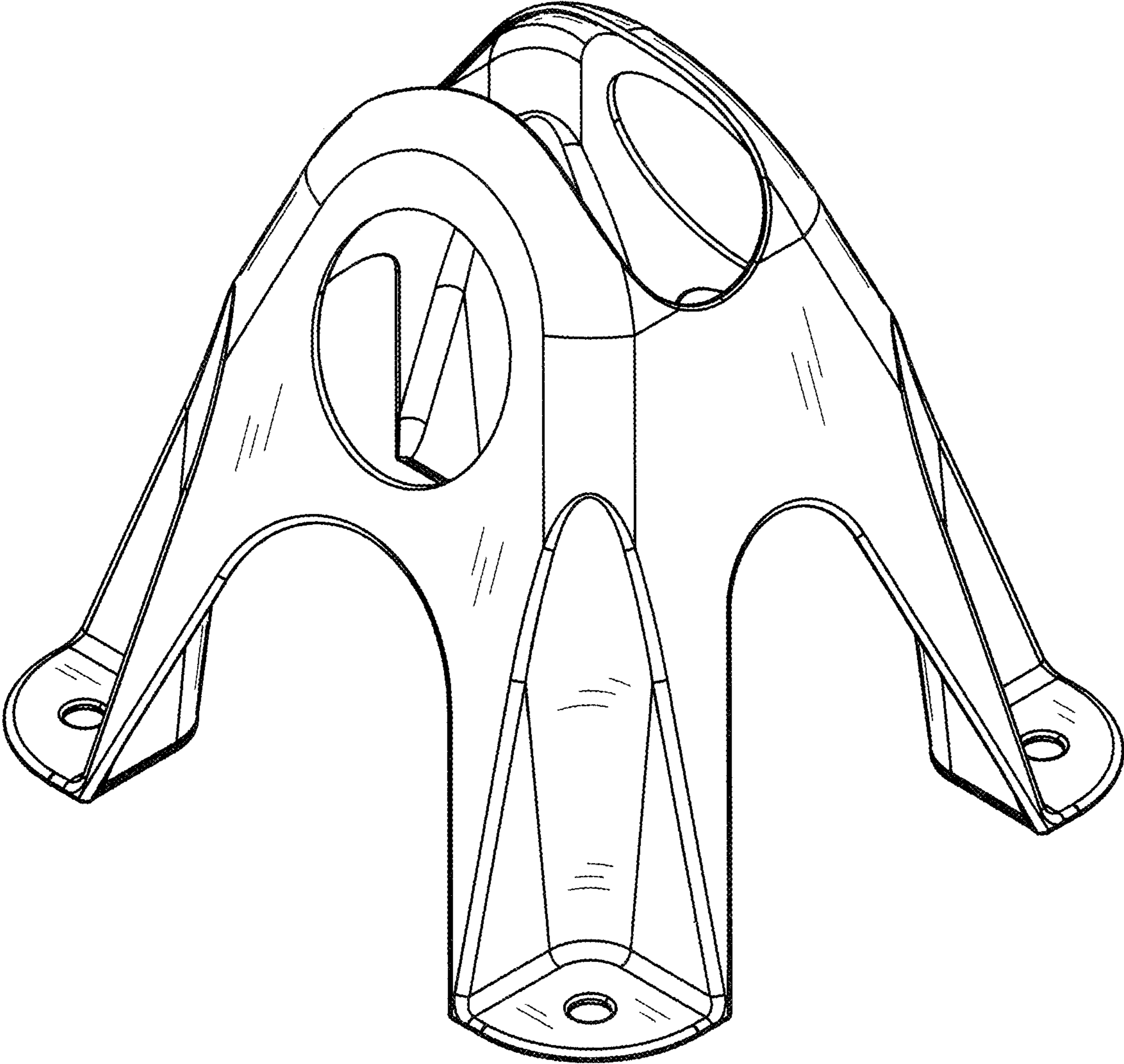


FIG. 1

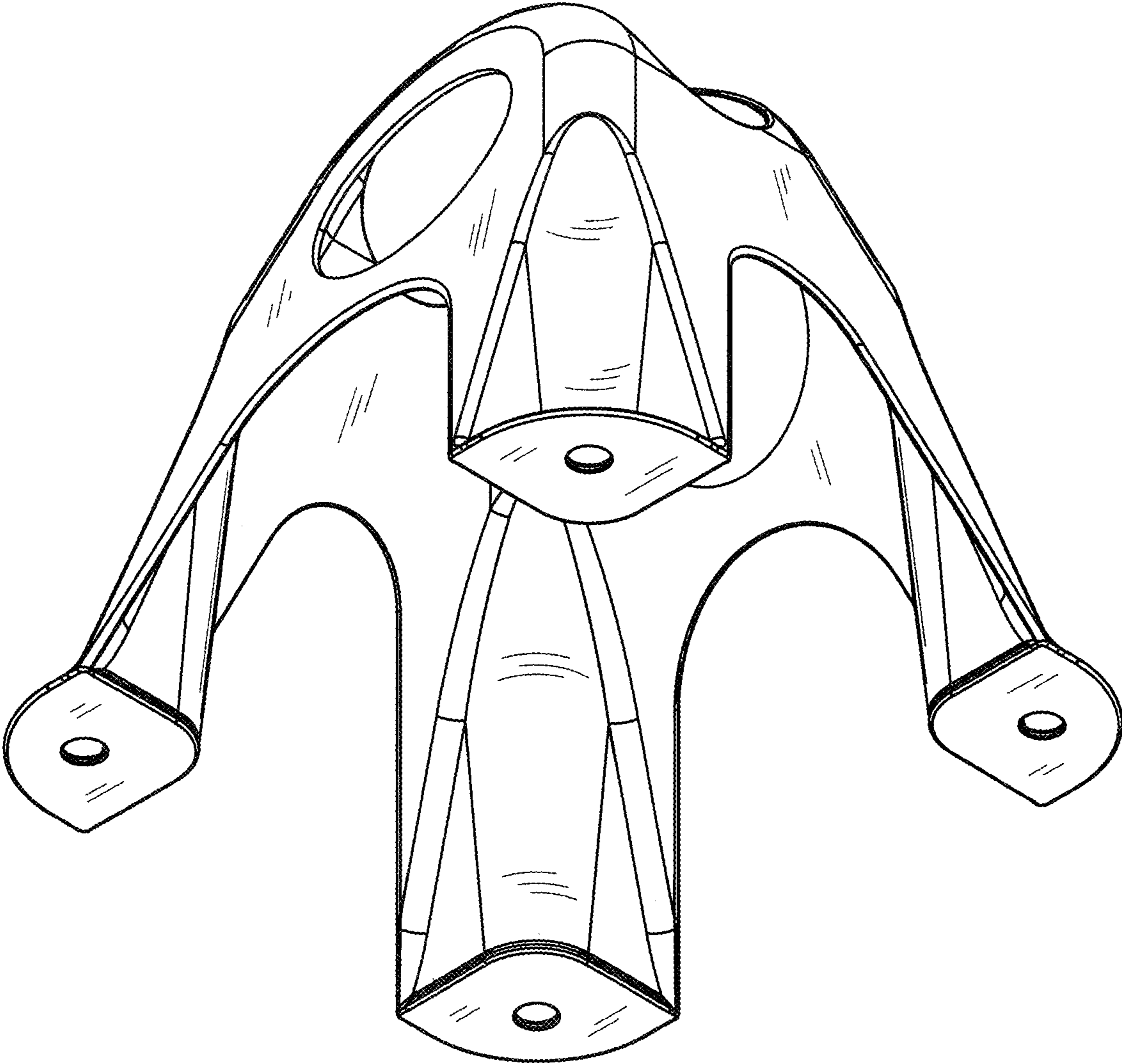


FIG. 2

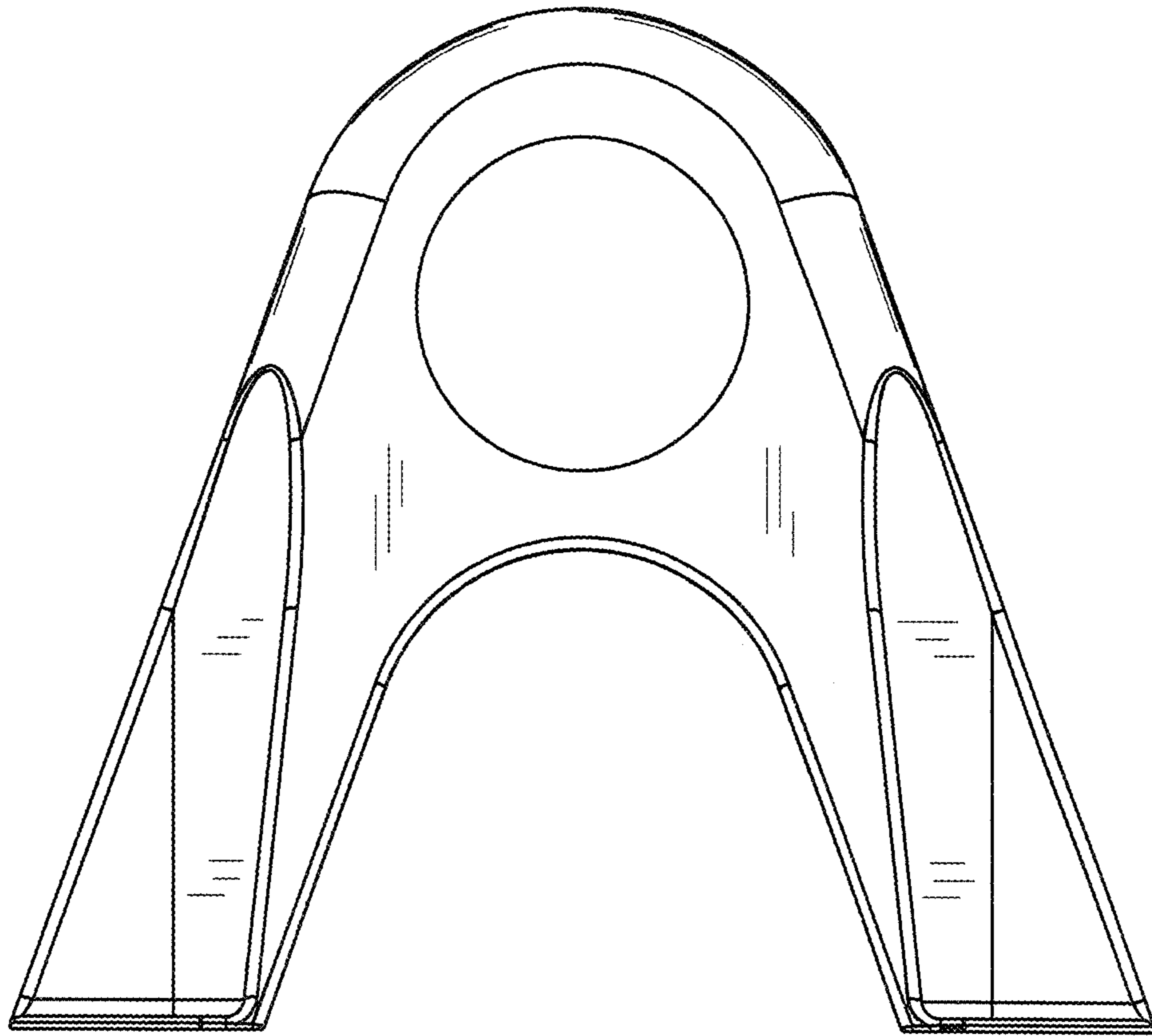


FIG. 3

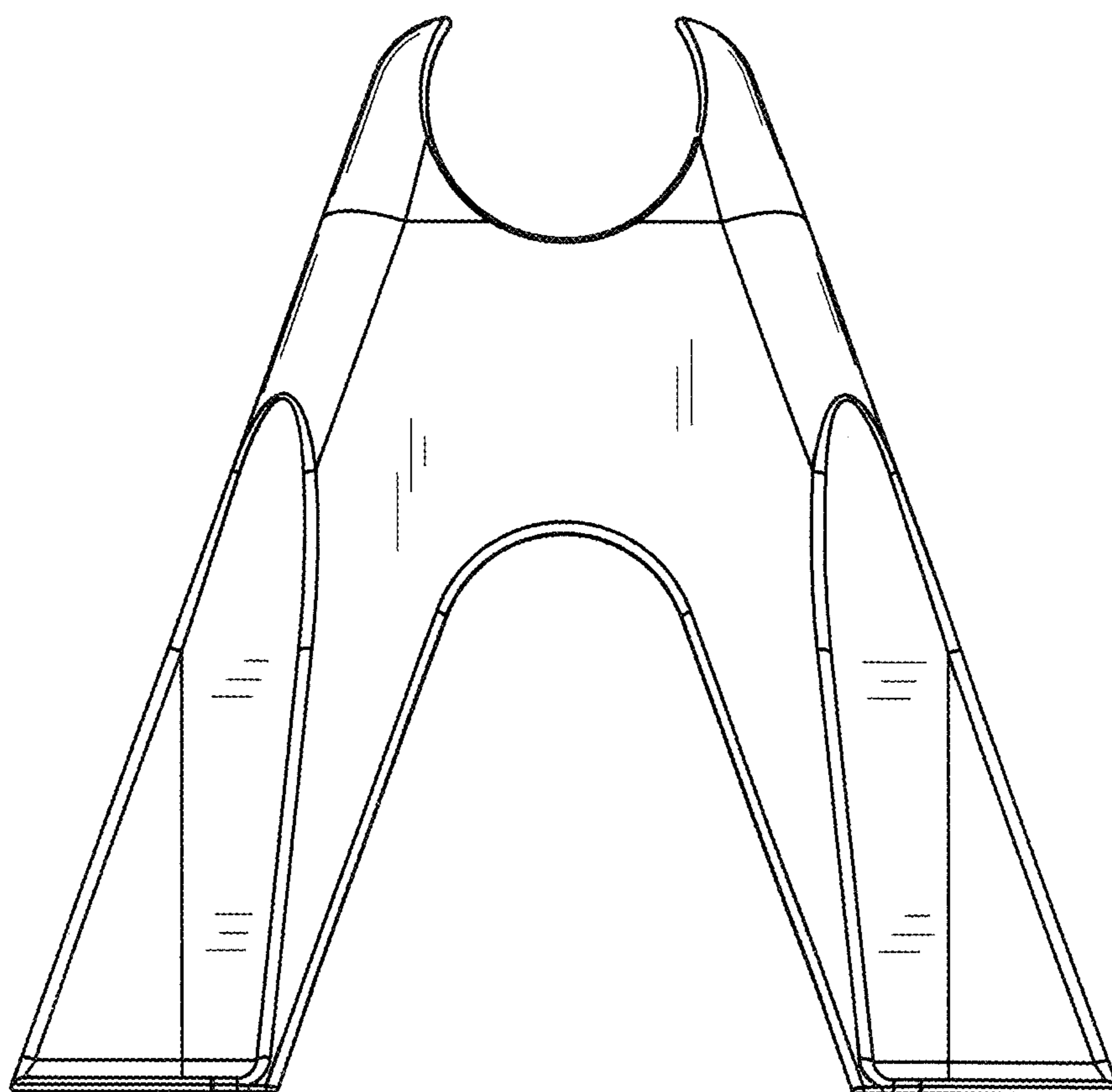


FIG. 4

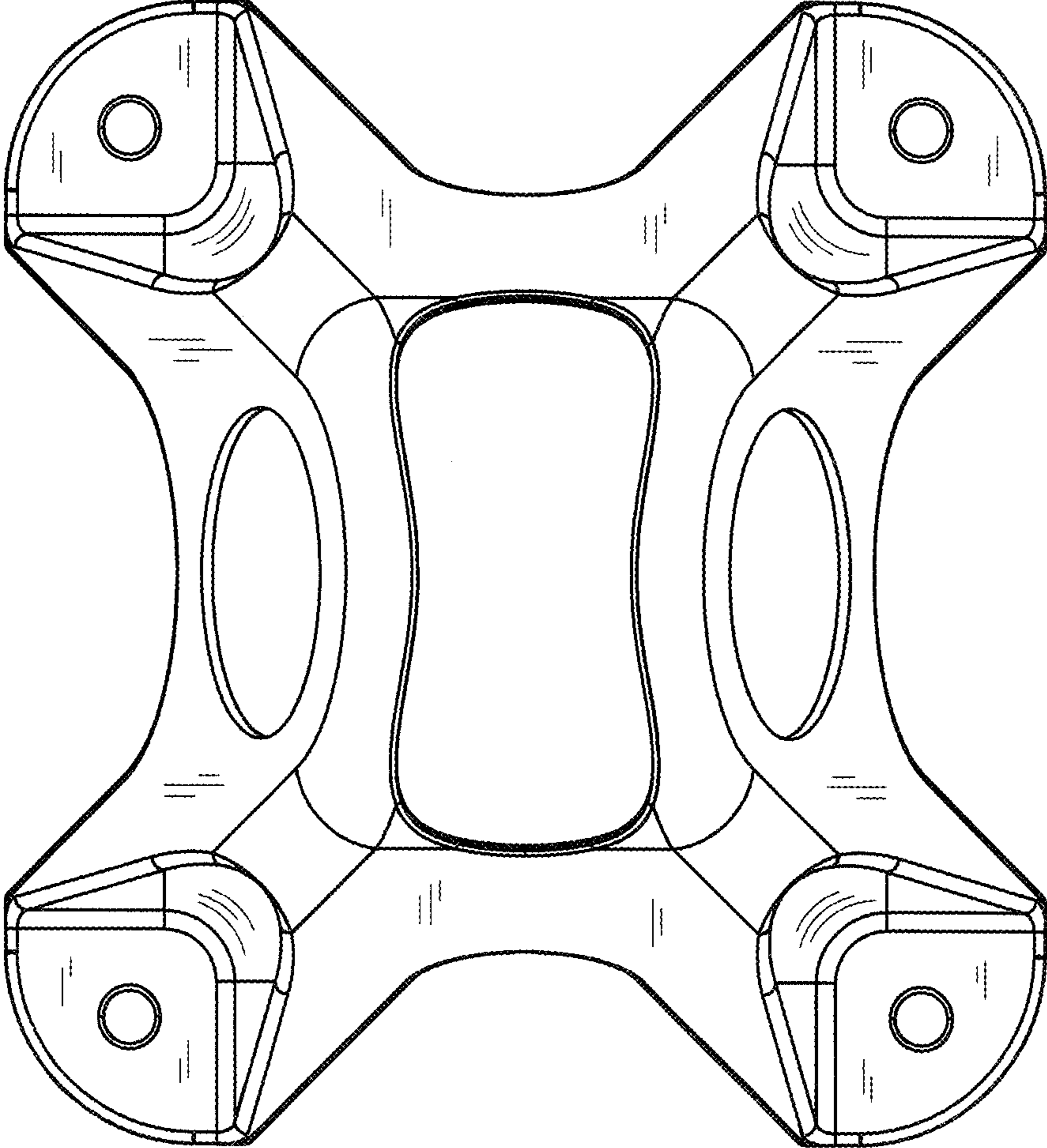


FIG. 5

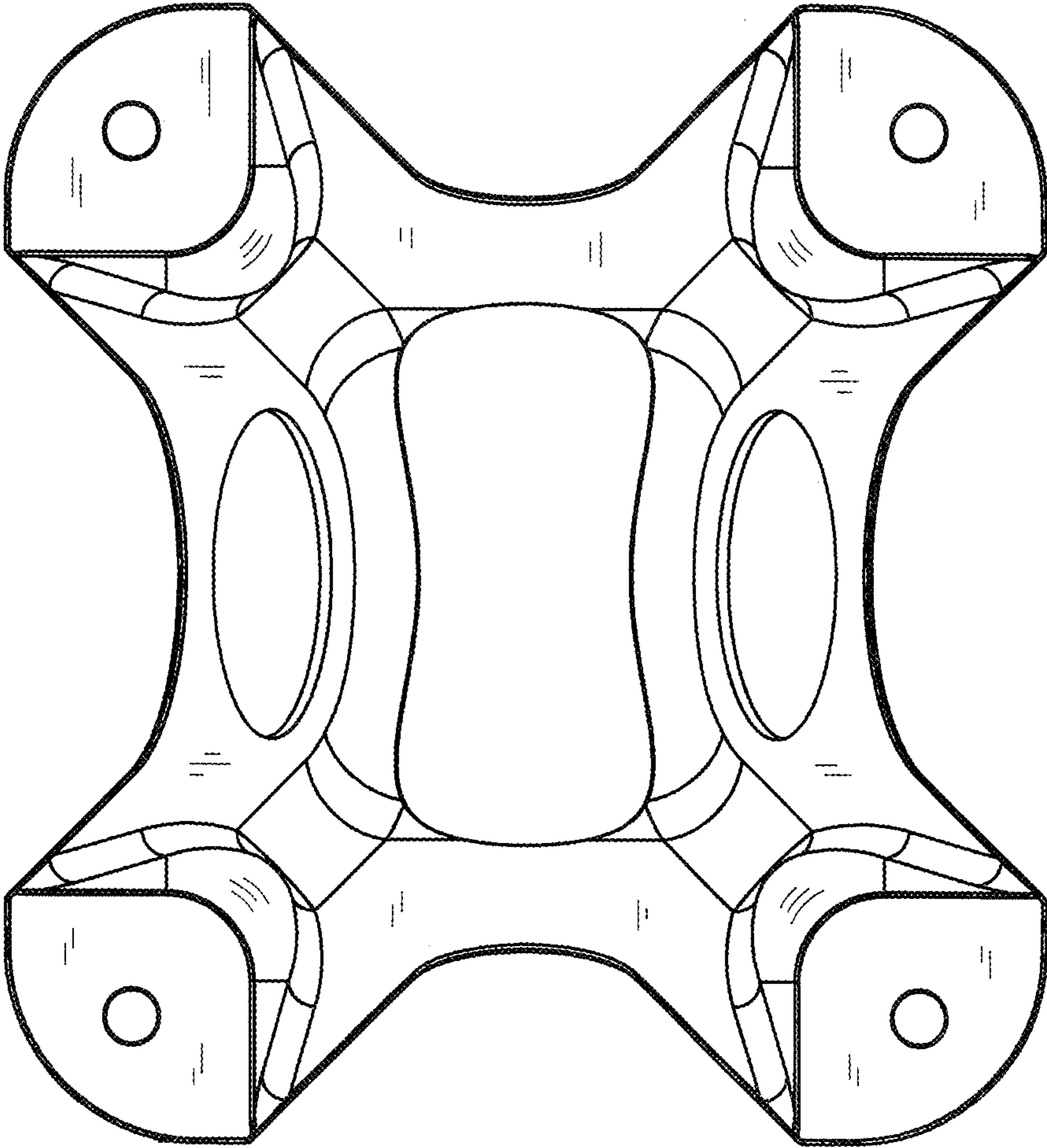


FIG. 6