



US00D914128S

(12) **United States Design Patent** (10) **Patent No.:** **US D914,128 S**
Chapin et al. (45) **Date of Patent:** **** Mar. 23, 2021**

(54) **END CAP FOR AN INSECT TRAP**
(71) Applicant: **Sterling International Inc.**, Spokane, WA (US)
(72) Inventors: **Marc Chapin**, Spokane, WA (US); **Qing-He Zhang**, Greenacres, WA (US); **Rodney G. Schneidmiller**, Greenacres, WA (US)
(73) Assignee: **Sterling International Inc.**, Spokane, WA (US)
(**) Term: **15 Years**
(21) Appl. No.: **29/726,501**
(22) Filed: **Mar. 3, 2020**
(51) **LOC (13) Cl.** **22-06**
(52) **U.S. Cl.**
USPC **D22/122**
(58) **Field of Classification Search**
USPC D22/122; 43/107, 112-114, 121-122, 43/124, 131, 132.1
CPC A01M 1/04; A01M 1/08; A01M 1/10; A01M 1/223; Y02A 50/371
See application file for complete search history.

3,473,251 A 10/1969 Kahn
3,758,980 A 9/1973 Bialobrzewski
4,074,457 A 2/1978 Sato et al.
4,182,069 A 1/1980 De Yoreo
4,248,005 A 2/1981 Hedstrom
4,328,636 A 5/1982 Johnson
4,454,677 A 6/1984 Chuang
D283,152 S 3/1986 Cunning
4,754,570 A 7/1988 Bakke
5,020,270 A 6/1991 Lo

(Continued)

Primary Examiner — Catherine R Oliver-Garcia
(74) *Attorney, Agent, or Firm* — Christensen O'Connor Johnson Kindness, PLLC

(57) **CLAIM**

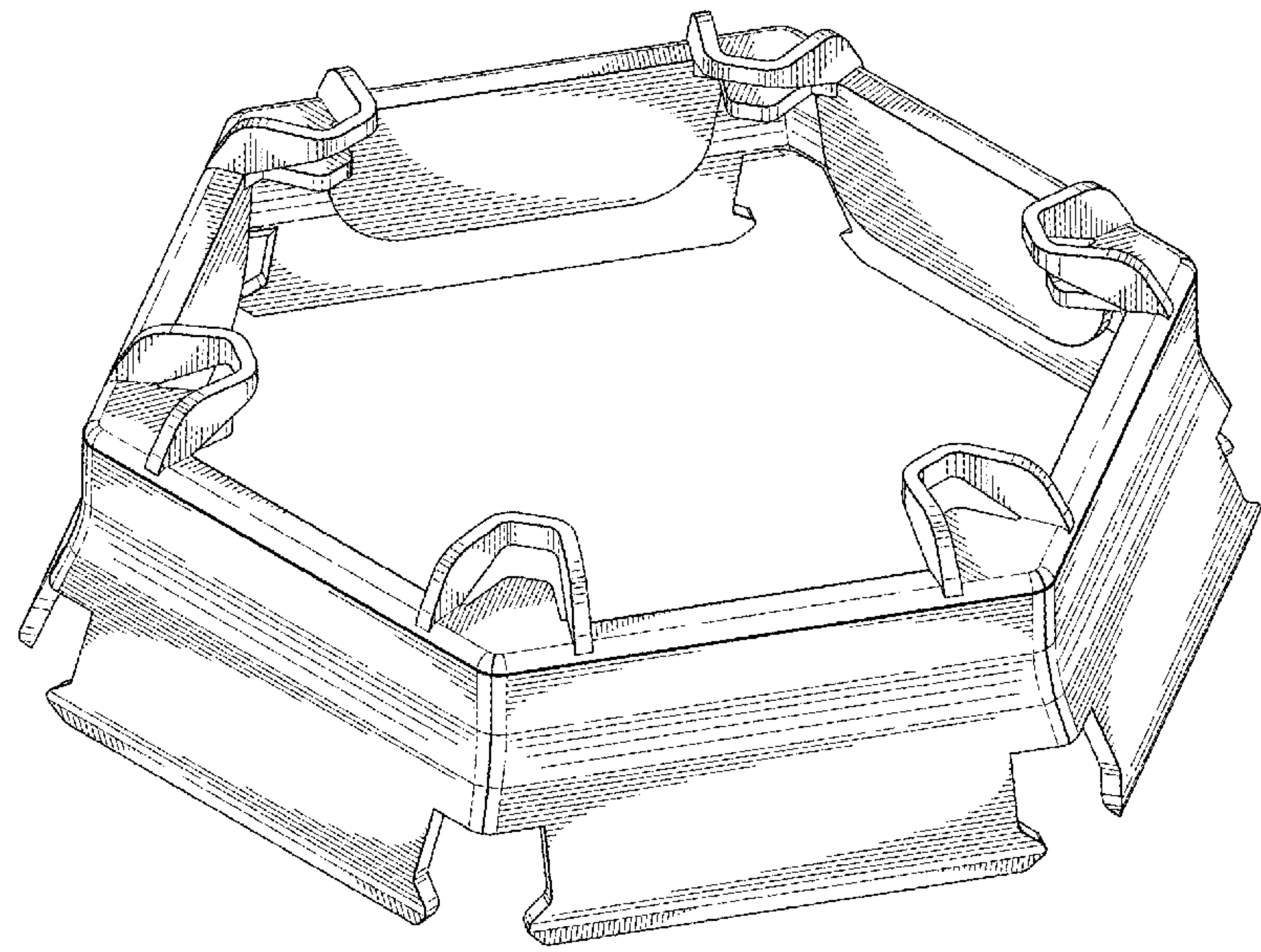
The ornamental design for the end cap for an insect trap, as shown.

DESCRIPTION

FIG. 1 is an upper-front view of an end cap for an insect trap in accordance with the present invention;
FIG. 2 is a lower-front view of the end cap for an insect trap shown in FIG. 1;
FIG. 3 is a top plan view of the end cap for an insect trap shown in FIG. 1;
FIG. 4 is a bottom plan view of the end cap for an insect trap shown in FIG. 1;
FIG. 5 is a front view of the end cap for an insect trap shown in FIG. 1, which due to symmetry is the same as a back view;
FIG. 6 is a left side view of the end cap for an insect trap shown in FIG. 1, which due to symmetry is the same as a right side view;
FIG. 7 is a sectional view of the end cap for an insect trap shown in FIG. 1, through section 7-7 indicated in FIG. 3; and,
FIG. 8 is a sectional view of the end cap for an insect trap shown in FIG. 1, through section 8-8 indicated in FIG. 3.

(56) **References Cited**
U.S. PATENT DOCUMENTS
1,108,870 A 8/1914 Arnold
1,552,649 A 9/1925 Ross
1,561,832 A 11/1925 Corsi et al.
1,743,664 A 1/1930 Frost
1,936,468 A 11/1933 Folmer et al.
1,952,795 A 3/1934 Frost
1,985,921 A 1/1935 Folmer
2,037,431 A 4/1936 O'Connell
2,061,458 A 11/1936 Folmer et al.
2,951,310 A 9/1960 Anderson et al.
D206,592 S * 1/1967 Randle D22/122

1 Claim, 6 Drawing Sheets



(56)

References Cited

U.S. PATENT DOCUMENTS

5,048,224	A	9/1991	Frisch		8,109,036	B1	2/2012	Wilbanks	
D323,014	S *	1/1992	Demarest	D22/122	D675,282	S *	1/2013	Frisch	D22/122
D324,406	S *	3/1992	Brefka	D22/122	D700,269	S	2/2014	Chapin et al.	
D326,305	S	5/1992	Wah		9,015,988	B2	4/2015	Zhang	
5,274,949	A	1/1994	Beaton		9,060,503	B2	6/2015	Gilbert, II	
5,301,458	A	4/1994	Deyoreo et al.		D757,207	S *	5/2016	Zhang	D22/122
5,363,589	A	11/1994	Flynn		D761,932	S	7/2016	Zhang et al.	
D359,790	S	6/1995	Blotnick		D818,558	S	5/2018	Wang et al.	
5,557,880	A	9/1996	Schneidmiller		D831,782	S	10/2018	Zhang et al.	
6,050,025	A	4/2000	Wilbanks		D846,059	S	4/2019	Zhang et al.	
6,108,966	A	8/2000	Otomo et al.		D873,948	S	1/2020	Chapin et al.	
D467,295	S	12/2002	Andrews et al.		D873,949	S	1/2020	Chapin et al.	
D467,635	S *	12/2002	Andrews	D22/122	2003/0061757	A1	4/2003	Askin	
D471,950	S	3/2003	Berger et al.		2003/0070346	A1	4/2003	Winner et al.	
6,568,124	B1	5/2003	Wilbanks		2005/0091911	A1	5/2005	Matts et al.	
6,618,984	B1	9/2003	Li		2011/0302821	A1	12/2011	Casagrande	
6,655,078	B2	12/2003	Winner et al.		2013/0318854	A1	12/2013	Zhang et al.	
6,860,062	B2	3/2005	Spragins		2014/0059920	A1 *	3/2014	Messina	A01M 29/12 43/131
7,310,907	B2	12/2007	Suteerawanit		2014/0165452	A1	6/2014	Rocha	
7,832,140	B2	11/2010	Wilbanks		2016/0309694	A1	10/2016	Azuela	
D639,895	S *	6/2011	Schneidmiller	D22/122	2017/0354135	A1	12/2017	Ching et al.	
					2019/0090470	A1	3/2019	Lee et al.	
					2019/0110460	A1	4/2019	Zhang et al.	

* cited by examiner

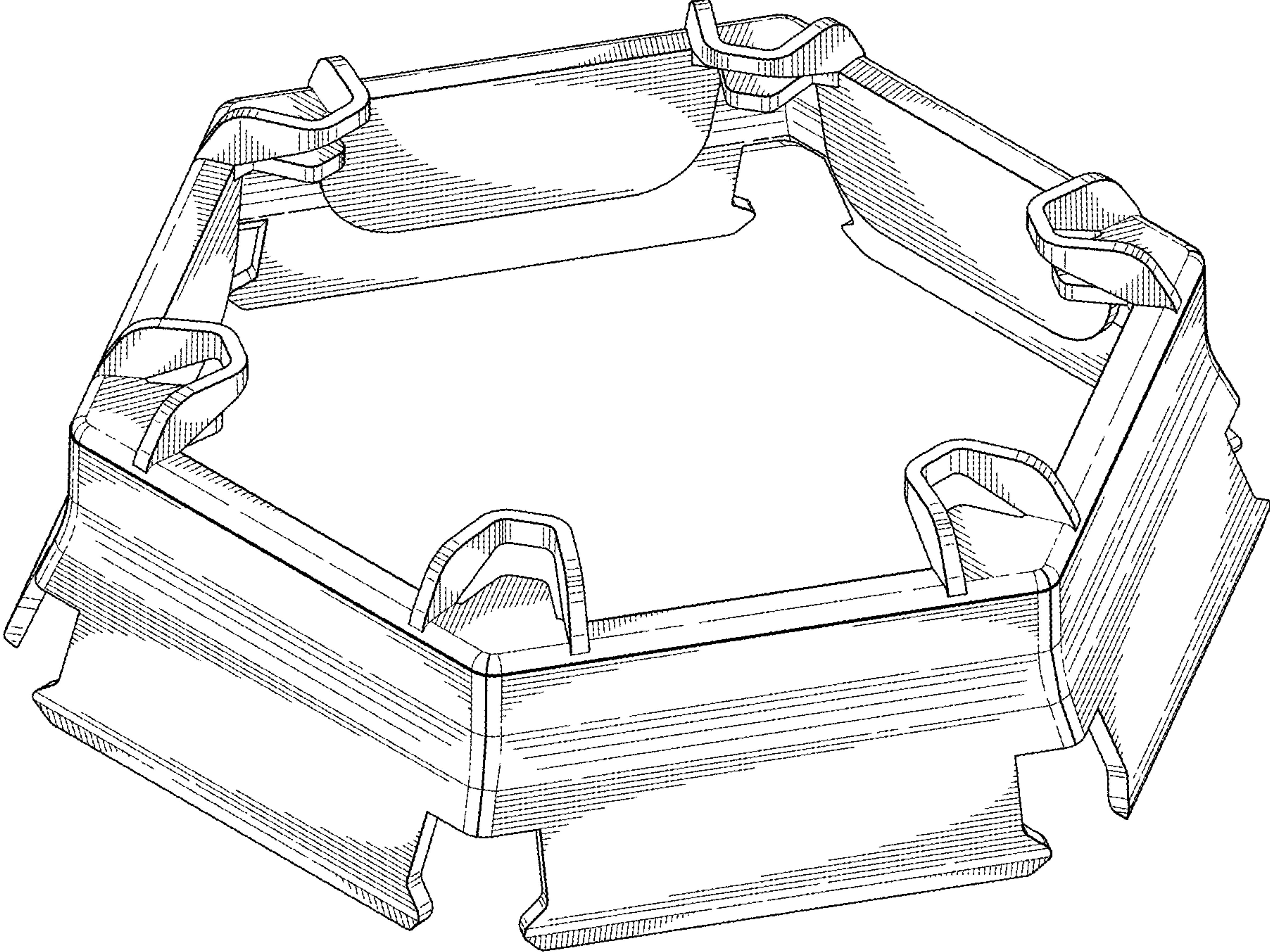


Fig. 1.

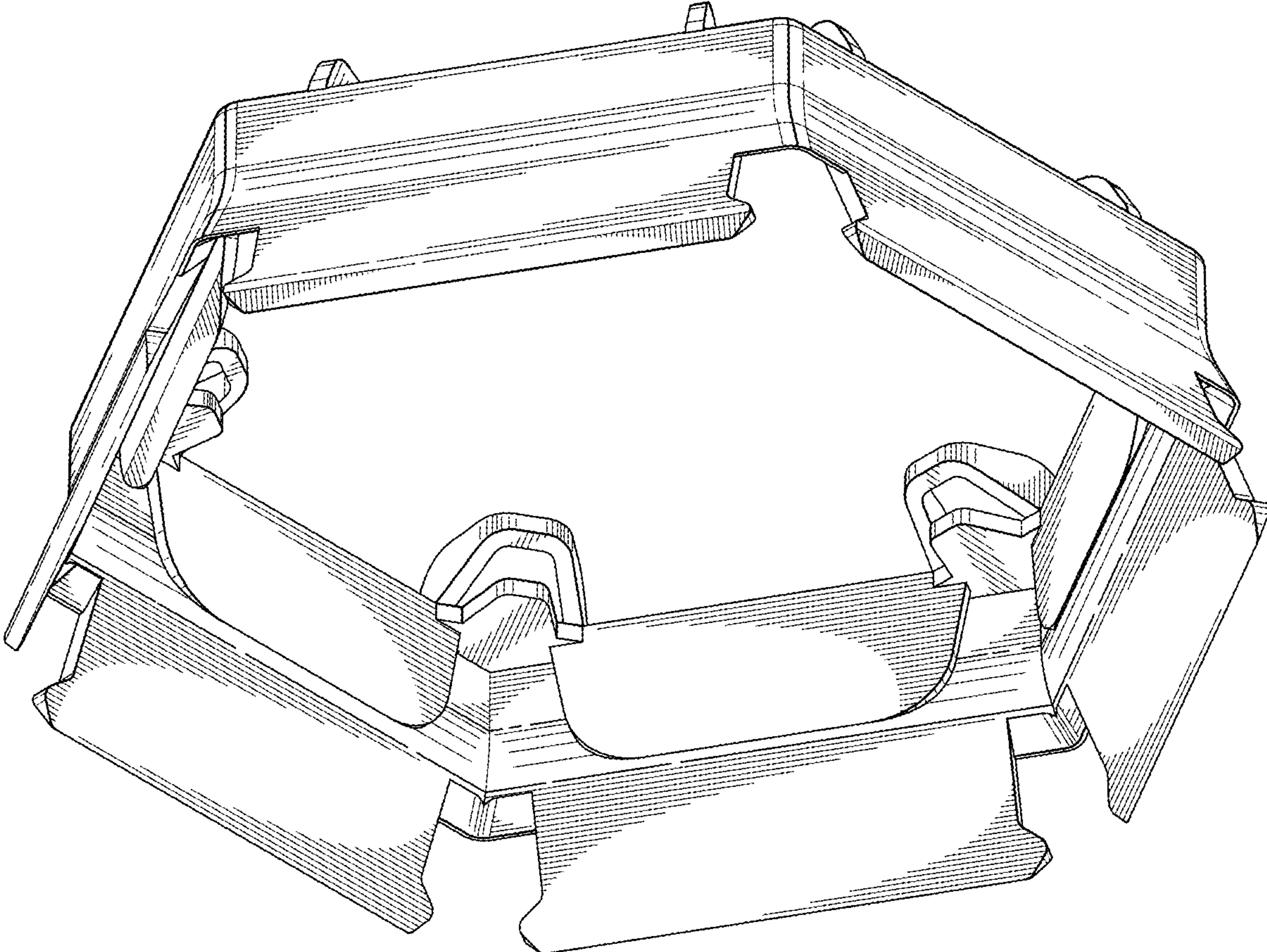


Fig. 2.

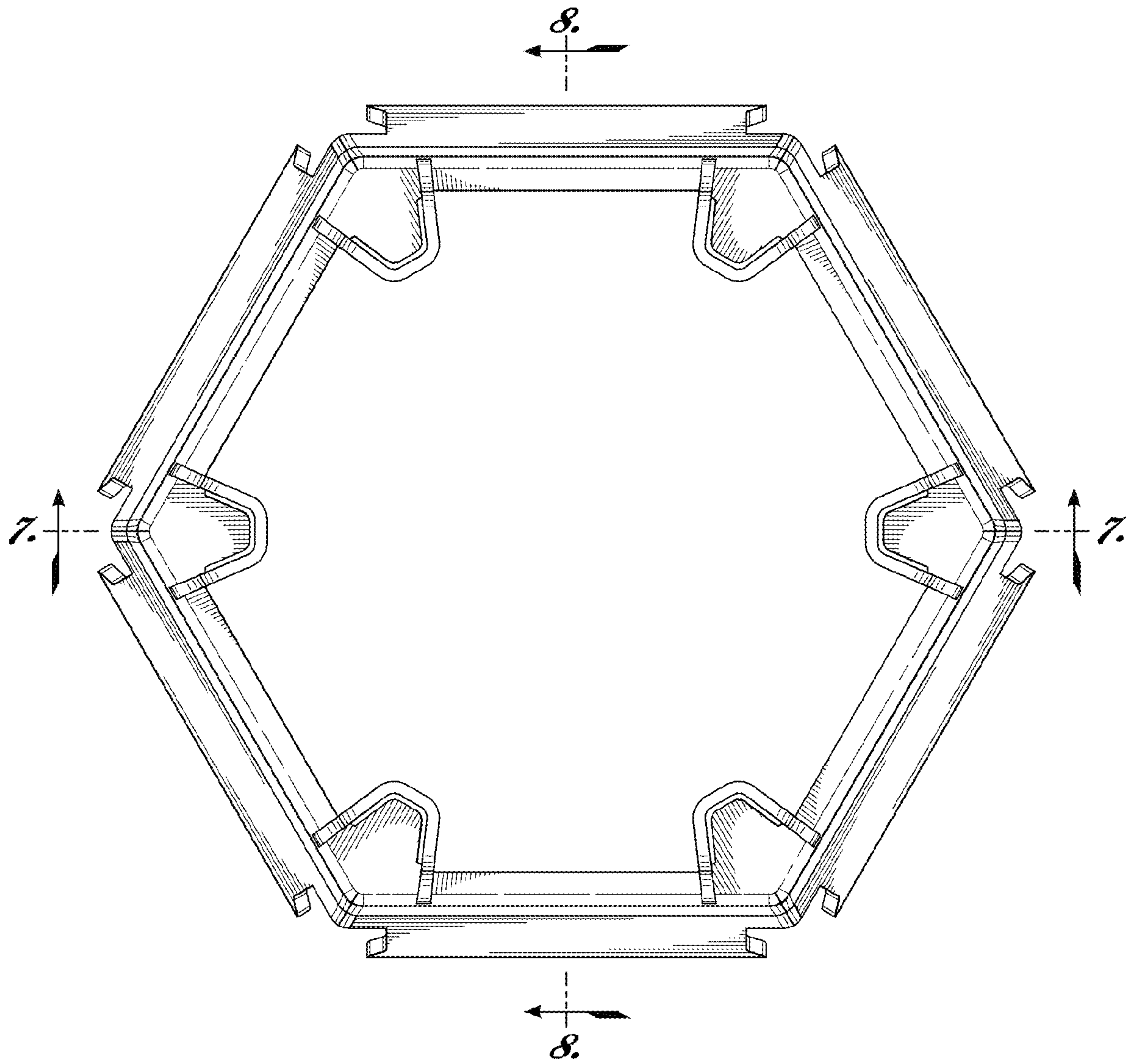


Fig. 3.

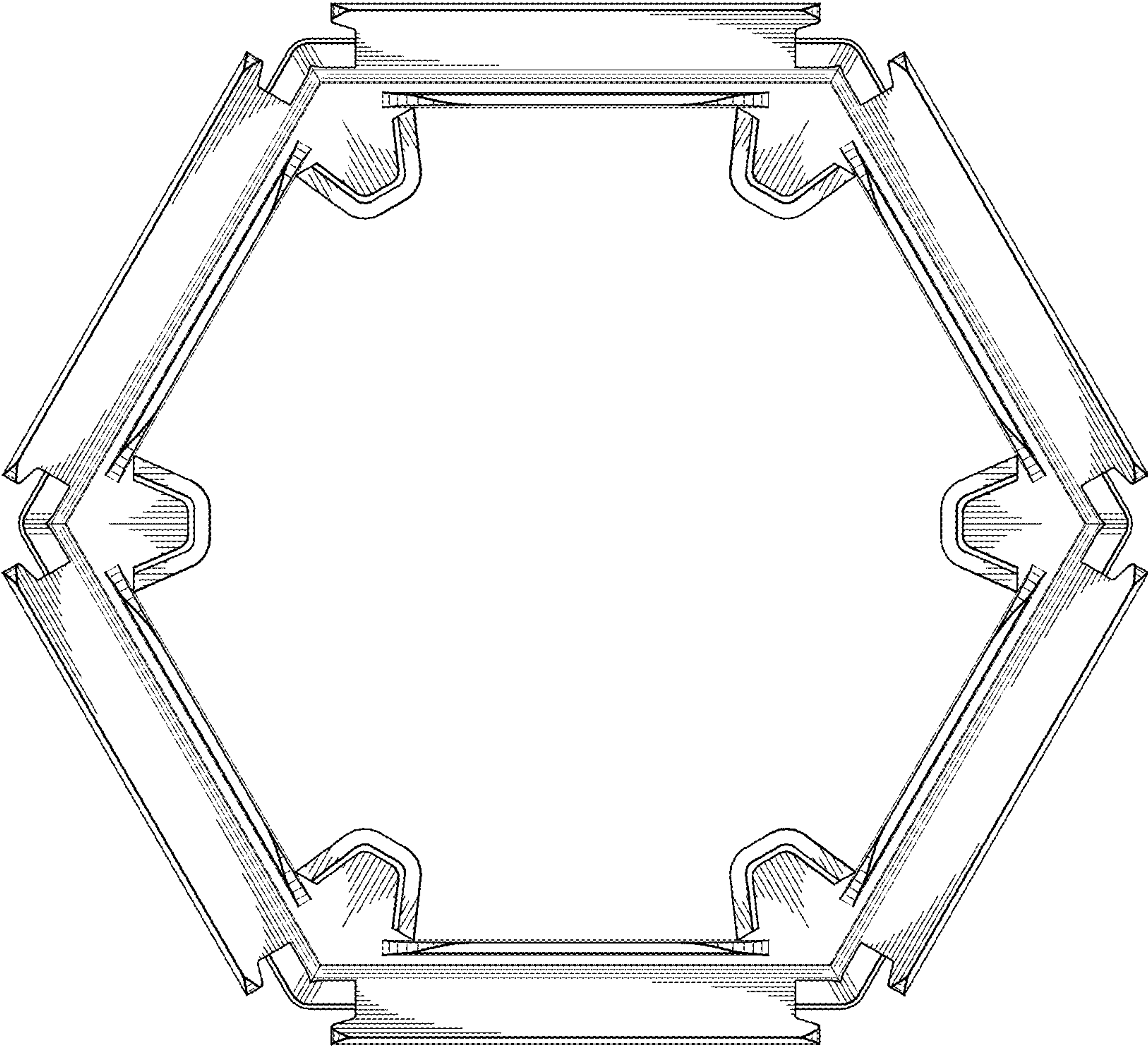


Fig. 4.

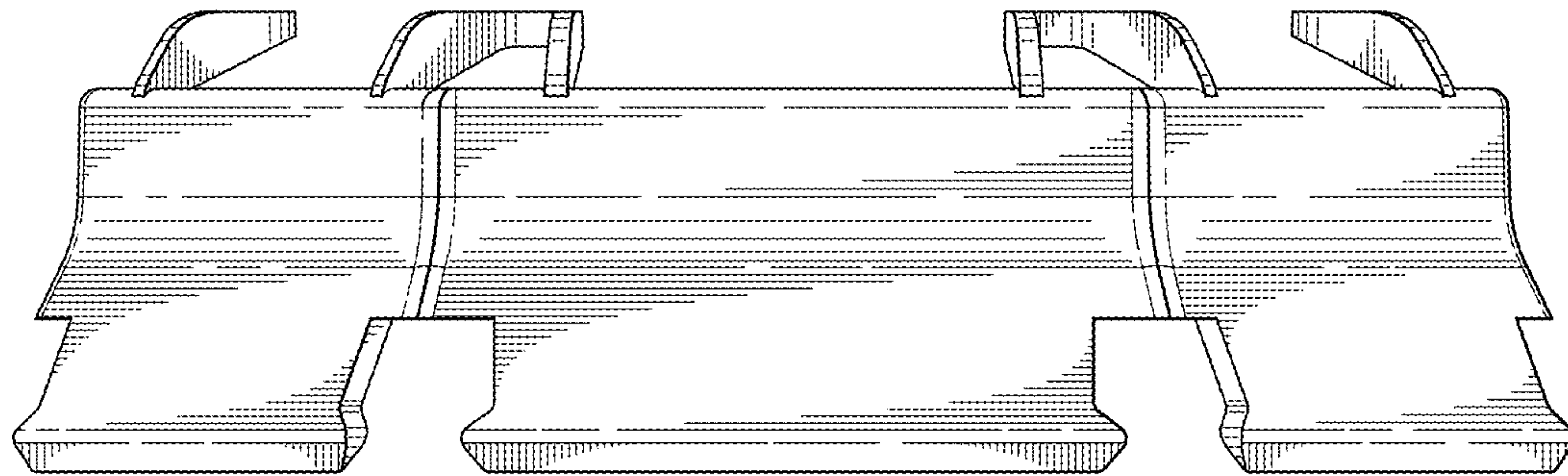


Fig. 5.

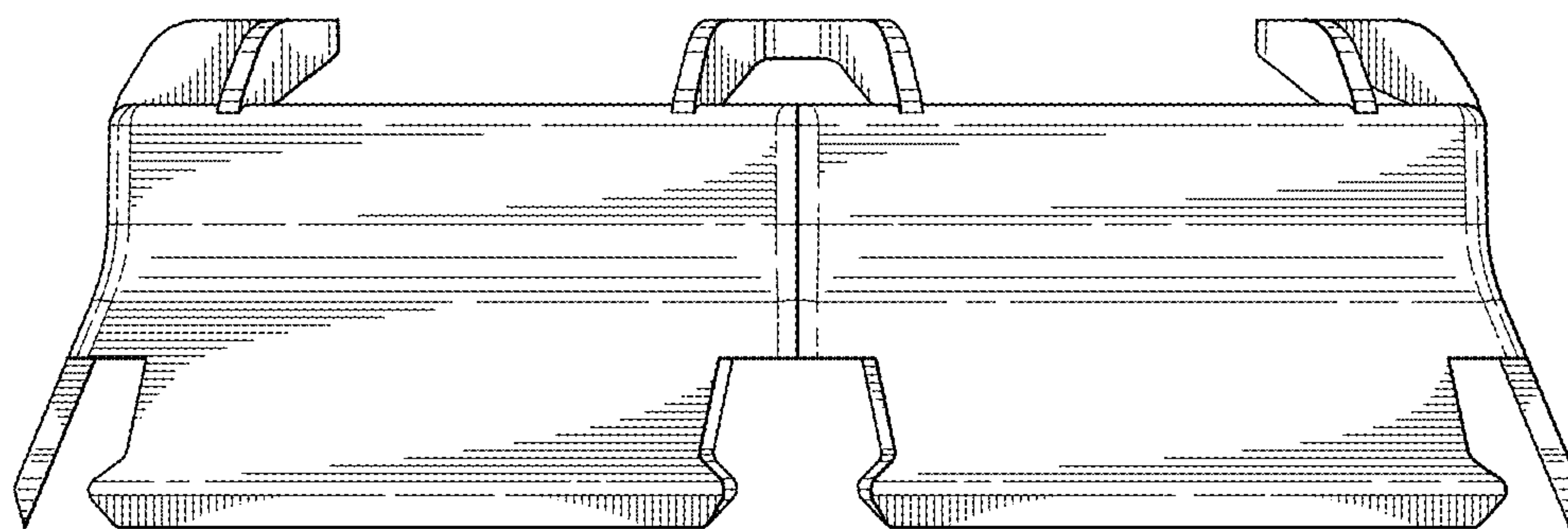


Fig. 6.

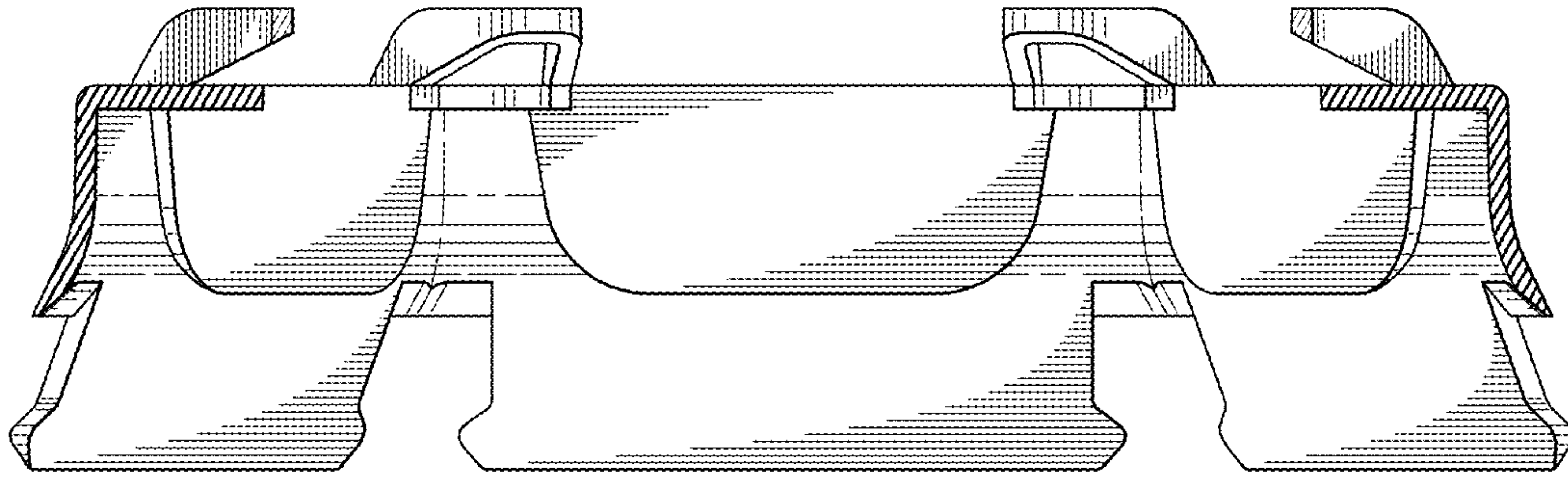


Fig. 7.

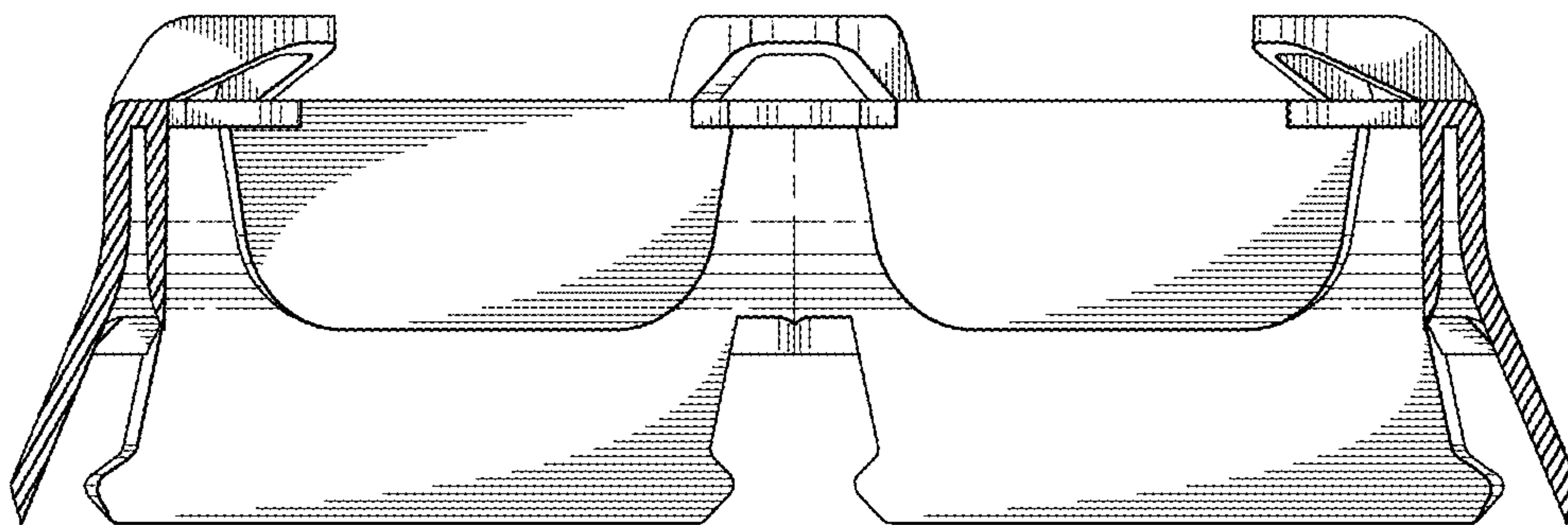


Fig. 8.