

US00D914125S

(12) **United States Design Patent** (10) **Patent No.:** **US D914,125 S**  
**Bai** (45) **Date of Patent:** **\*\* Mar. 23, 2021**

(54) **TABLE TENNIS NET**

- (71) Applicant: **DECATHLON**, Villeneuve d'Ascq (FR)
- (72) Inventor: **Yang Bai**, Nanterre (FR)
- (73) Assignee: **Decathlon**, Villeneuve d'Ascq (FR)
- (\*\*) Term: **15 Years**
- (21) Appl. No.: **29/647,538**
- (22) Filed: **May 14, 2018**

(30) **Foreign Application Priority Data**

Nov. 16, 2017 (EM) ..... 004510022-0001  
 Nov. 16, 2017 (EM) ..... 004510022-0002

- (51) **LOC (13) Cl.** ..... **21-02**
- (52) **U.S. Cl.**  
USPC ..... **D21/799.2**

(58) **Field of Classification Search**

USPC ..... D21/305, 698, 705, 799.1, 799.2;  
 473/490-496  
 CPC ..... A63B 2210/50; A63B 2210/58; A63B  
 61/00-04; A63B 61/02; A63B 67/04;  
 A63B 67/045; A63B 67/18; A63B  
 71/0036; A63B 71/0045; A63B 71/023;  
 A63B 71/028; A63B 2071/026; A63B  
 2243/0095; A63B 69/0095

See application file for complete search history.

(56) **References Cited**

**U.S. PATENT DOCUMENTS**

- 906,848 A \* 12/1908 Atwell ..... A63B 61/02  
473/493
- 2,817,526 A \* 12/1957 Gross ..... A63B 61/003  
473/494
- 3,931,965 A \* 1/1976 Grant ..... A63B 61/02  
473/493
- D240,148 S \* 6/1976 Carbonero ..... D21/799.2

(Continued)

**FOREIGN PATENT DOCUMENTS**

- CA 2689835 A1 \* 7/2011 ..... A63B 67/045
- CN 301531652 \* 4/2011

(Continued)

**OTHER PUBLICATIONS**

Rollnet Small Table Tennis Net displayed on webpage: [https://www.artengo.co.uk/rollnet-small-table-tennis-net-id\\_8489632](https://www.artengo.co.uk/rollnet-small-table-tennis-net-id_8489632) [Accessed Jun. 19, 2019] (Year: 2019).\*

(Continued)

*Primary Examiner* — Catherine A Tuttle

(74) *Attorney, Agent, or Firm* — Fross Zelnick Lehrman & Zissu, P.C.; Charles T. J. Weigell, Esq.

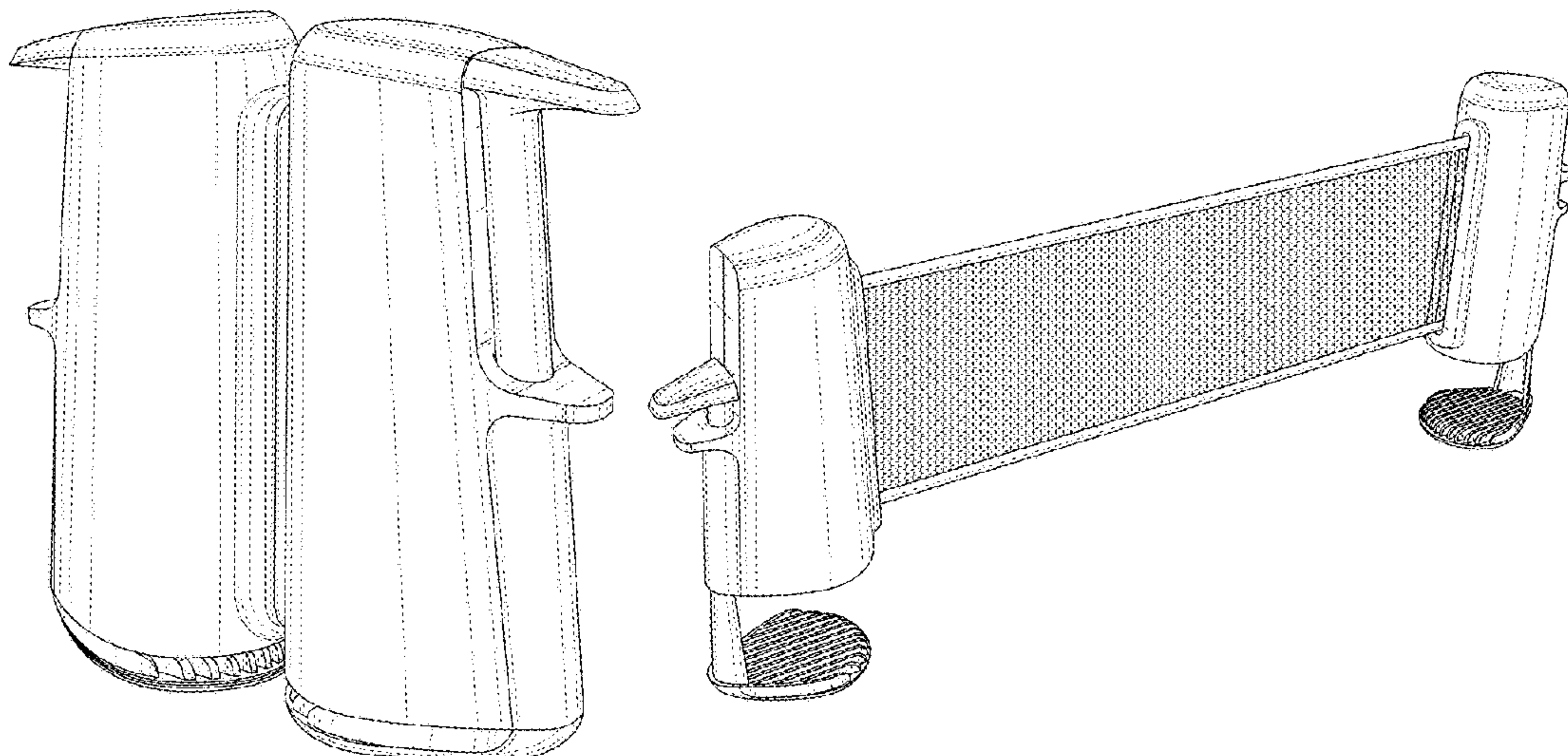
(57) **CLAIM**

The ornamental design for a table tennis net, as shown and described.

**DESCRIPTION**

FIG. 1 is a front perspective view of a table tennis net showing my new design, shown in a closed position; FIG. 2 is a front view thereof; FIG. 3 is a back view thereof; FIG. 4 is a right side view thereof; FIG. 5 is left side view thereof; FIG. 6 is a top view thereof; FIG. 7 is a bottom view thereof; FIG. 8 is a front perspective view of the table tennis net shown in FIG. 1, shown in an open position; FIG. 9 is a front view thereof; FIG. 10 is a back view thereof; FIG. 11 is a right side view thereof; FIG. 12 is left side view thereof; FIG. 13 is a top view thereof; and, FIG. 14 is a bottom view thereof.

**1 Claim, 14 Drawing Sheets**



(56)

References Cited

U.S. PATENT DOCUMENTS

4,595,155 A \* 6/1986 Gough ..... A63B 61/02  
 242/395.1  
 4,850,590 A \* 7/1989 Lin ..... A63B 67/045  
 473/491  
 D435,078 S \* 12/2000 Hsu ..... D21/799.1  
 7,104,903 B1 \* 9/2006 Chen ..... A63B 67/045  
 473/491  
 D584,368 S \* 1/2009 Stoewhass ..... D21/705  
 8,182,374 B1 \* 5/2012 Copeland ..... A63B 61/02  
 473/473  
 2003/0008733 A1 \* 1/2003 Allshouse ..... A63B 67/04  
 473/496  
 2008/0139344 A1 \* 6/2008 Nally ..... A63B 67/045  
 473/496  
 2008/0293519 A1 \* 11/2008 Im ..... A63B 61/00  
 473/421  
 2016/0001151 A1 \* 1/2016 Harvey ..... A63B 67/045  
 473/493  
 2018/0015343 A1 \* 1/2018 Orenstein ..... A63B 61/003

FOREIGN PATENT DOCUMENTS

CN 302536269 \* 8/2013  
 CN 302843008 \* 6/2014

CN 203710640 U \* 7/2014 ..... A63B 67/04  
 CN 203954628 U \* 11/2014 ..... A63B 67/04  
 CN 303096406 \* 2/2015  
 CN 303591656 \* 2/2016  
 CN 205323155 U \* 6/2016 ..... A63B 67/04  
 CN 105749513 A \* 7/2016 ..... A63B 61/003  
 CN 205386320 U \* 7/2016 ..... A63B 67/04  
 CN 303817451 \* 8/2016  
 CN 108114444 A \* 6/2018 ..... A63B 67/04  
 EM 000799176-0001 9/2007  
 EM 000799176-0001 \* 9/2009  
 EM 001221428-0001 6/2010  
 FR 3048893 A3 \* 9/2017 ..... A63B 67/04  
 GB 190211641 A \* 12/1902

OTHER PUBLICATIONS

Artengo Small Rollnet shown on webpage: [https://www.decathlon.co.uk/rollnet-set-small-id\\_8395007.html](https://www.decathlon.co.uk/rollnet-set-small-id_8395007.html) [Accessed Jun. 10, 2019] (Year: 2019).\*

Images of prior art Rollnet Artengo design, [https://www.decathlon.fr/set-rollnet-standard-id\\_8395008.html](https://www.decathlon.fr/set-rollnet-standard-id_8395008.html)[https://www.decathlon.fr/set-rollnet-standard-id\\_8395008.html](https://www.decathlon.fr/set-rollnet-standard-id_8395008.html), available before Nov. 16, 2017.

\* cited by examiner

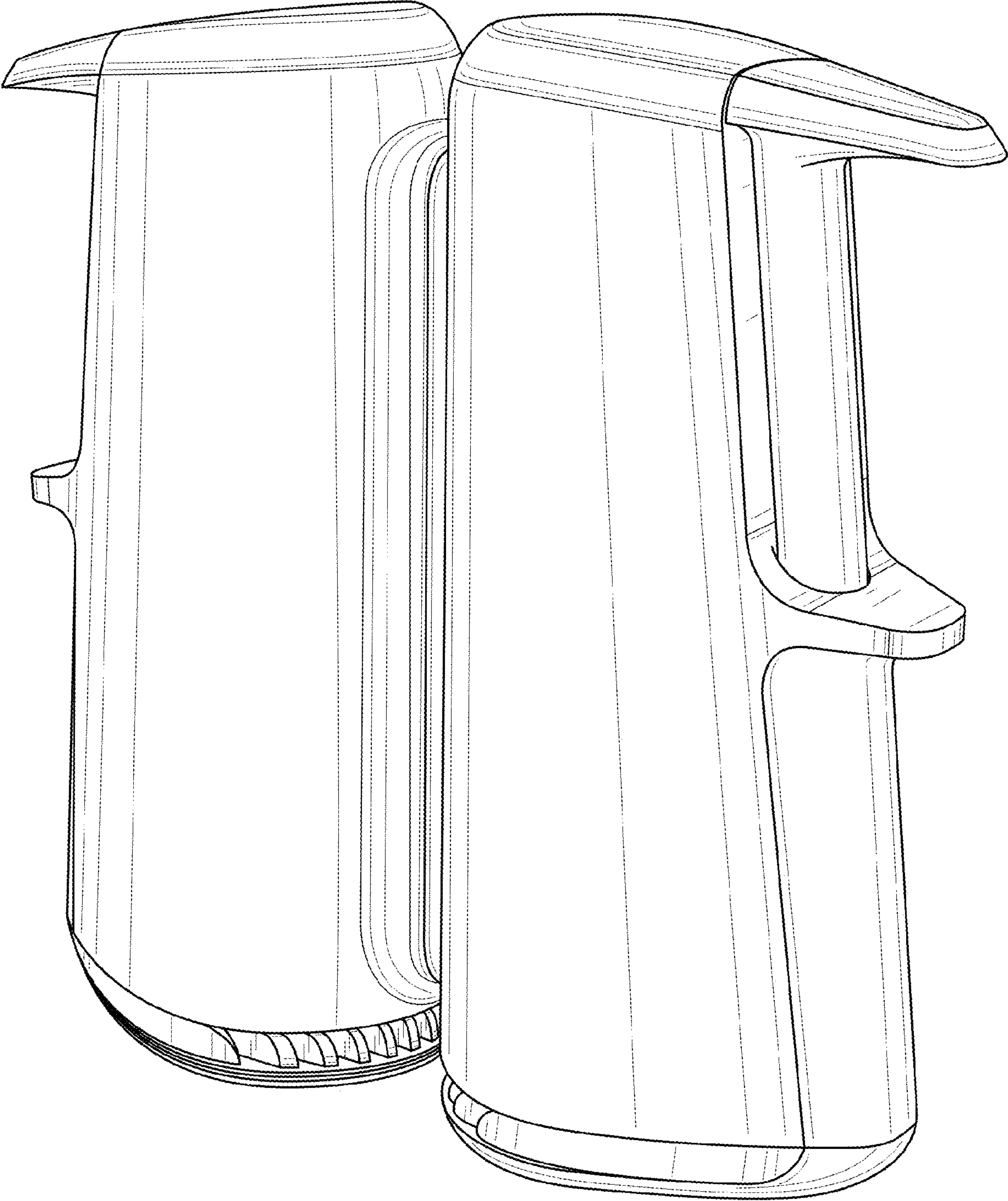


FIG. 1



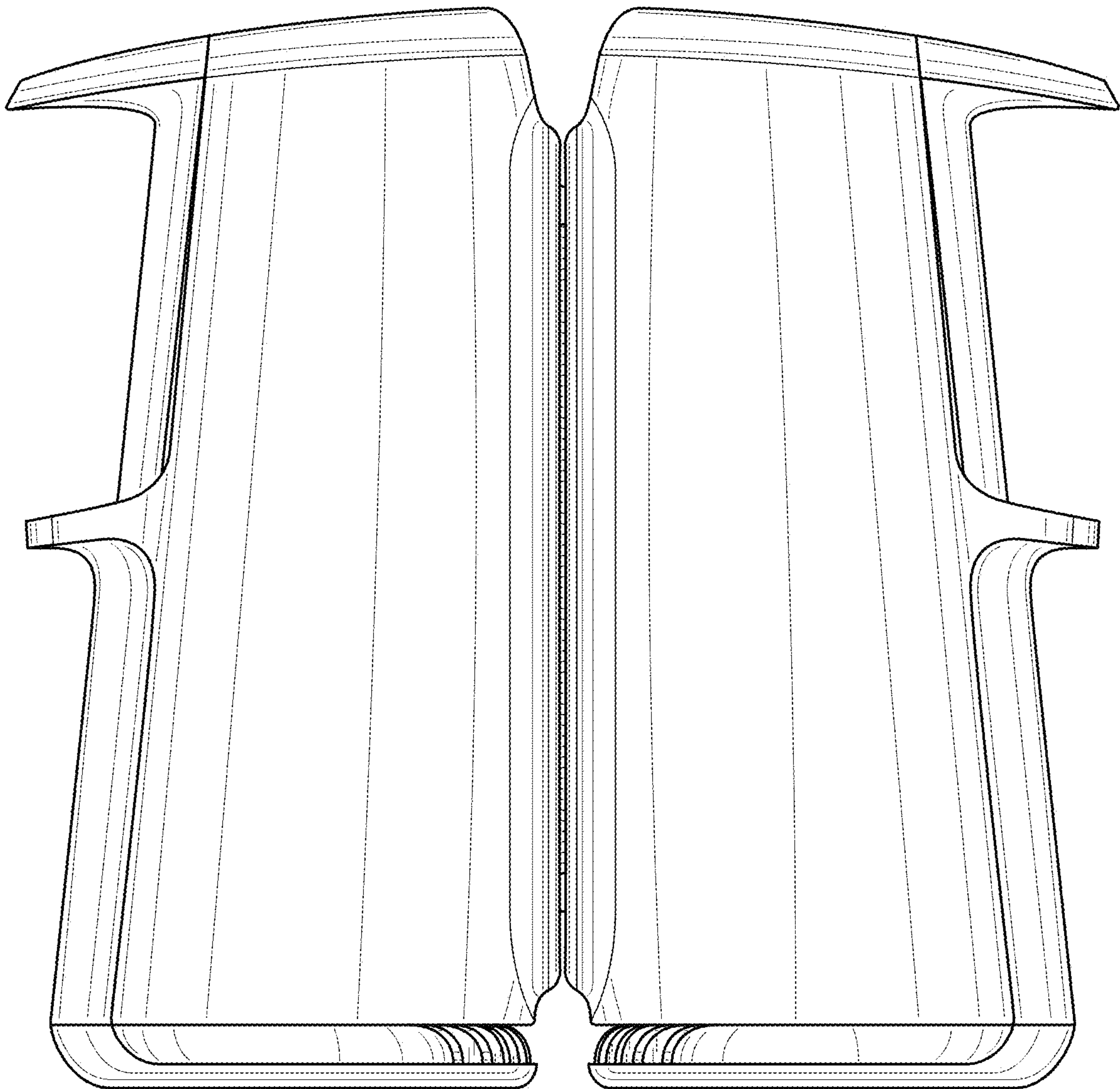


FIG. 2

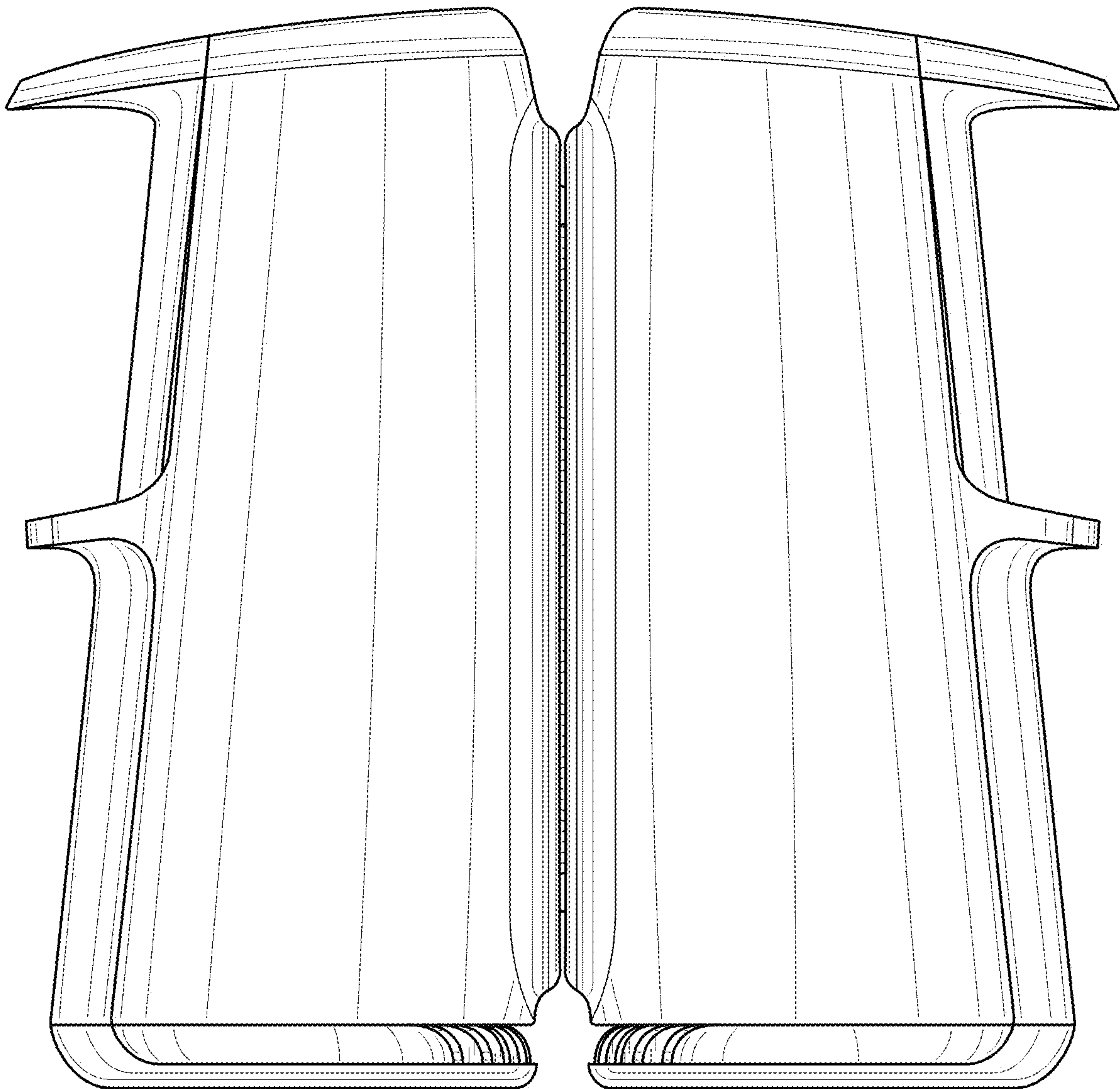


FIG. 3

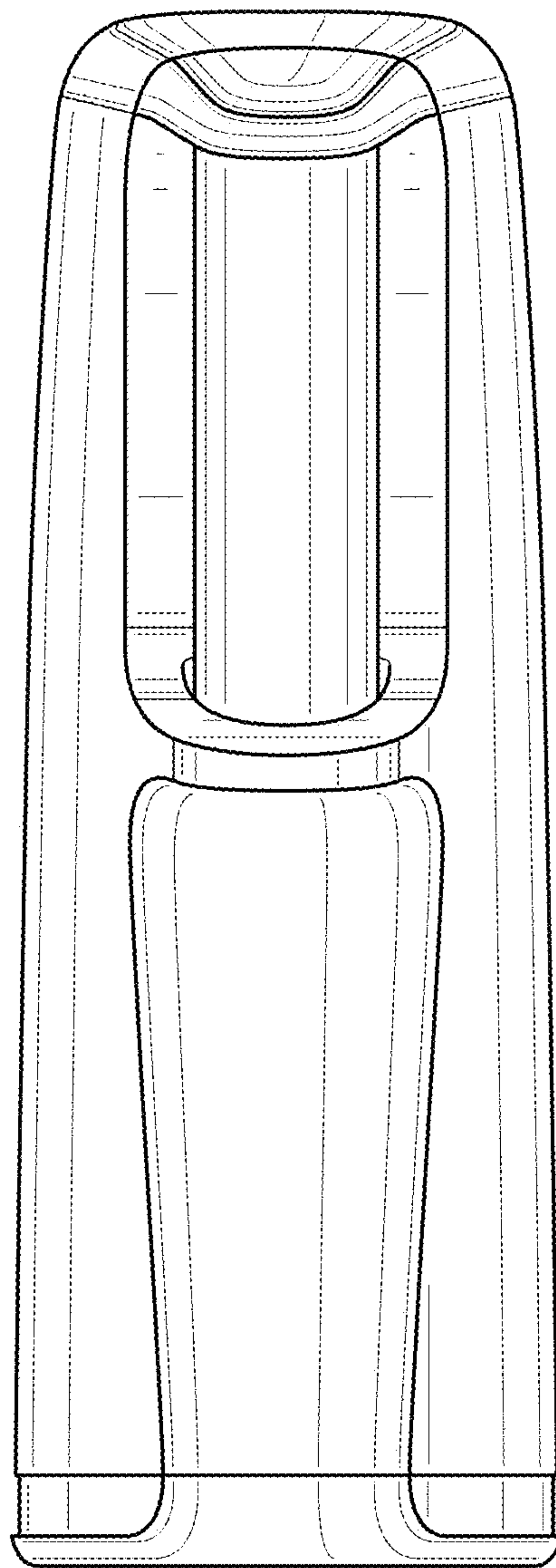


FIG. 4

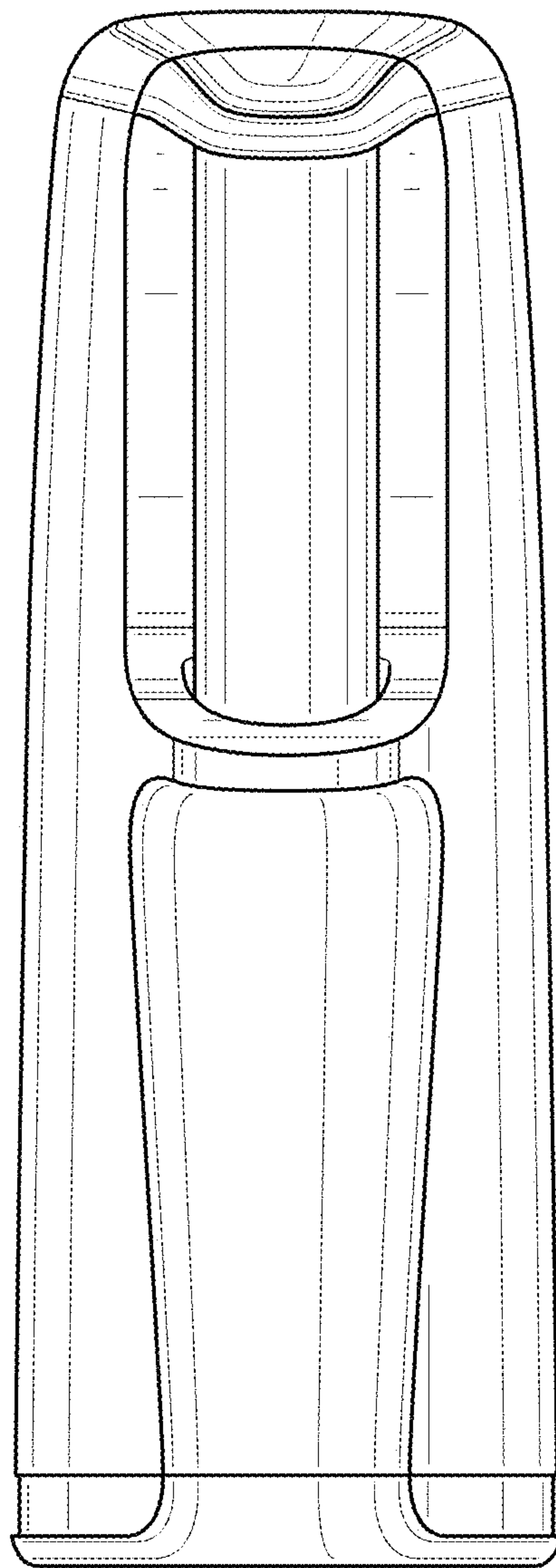


FIG. 5

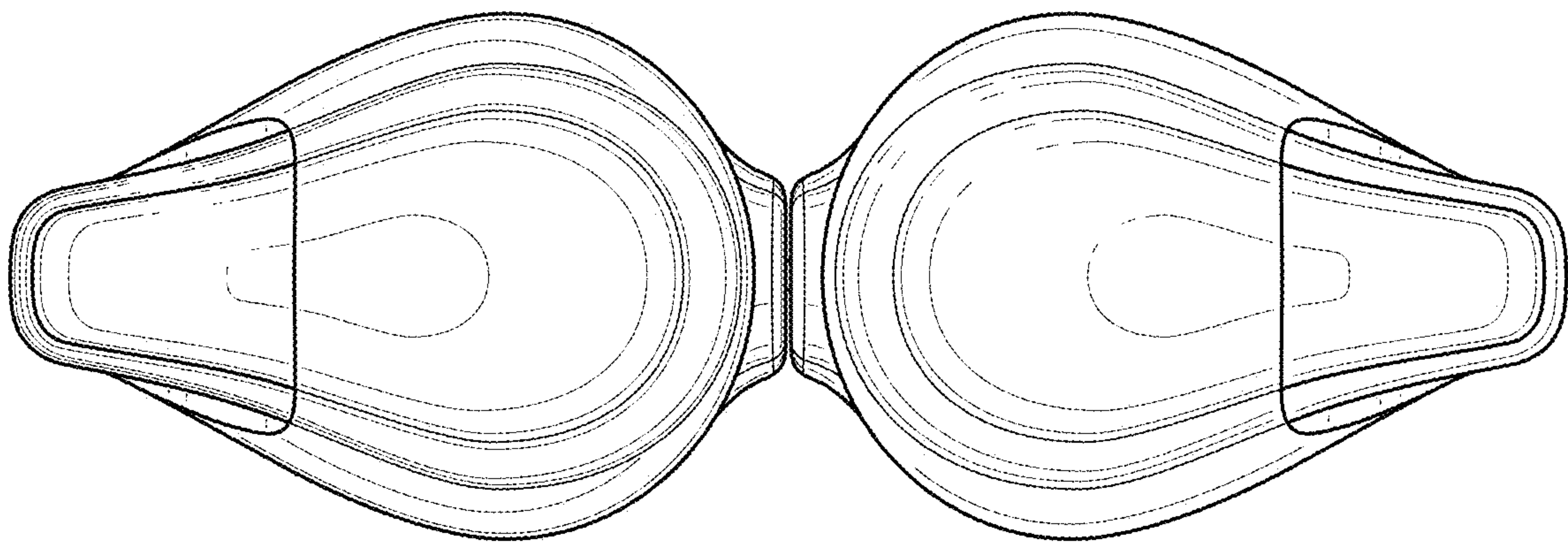


FIG. 6



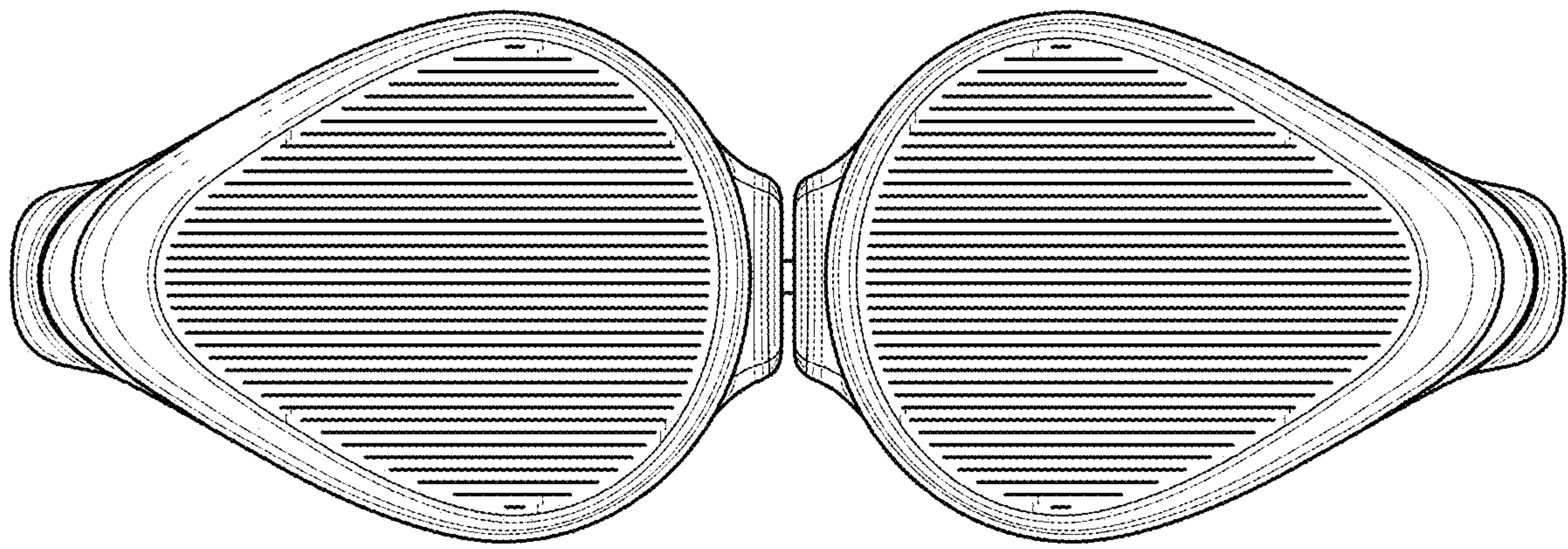


FIG. 7

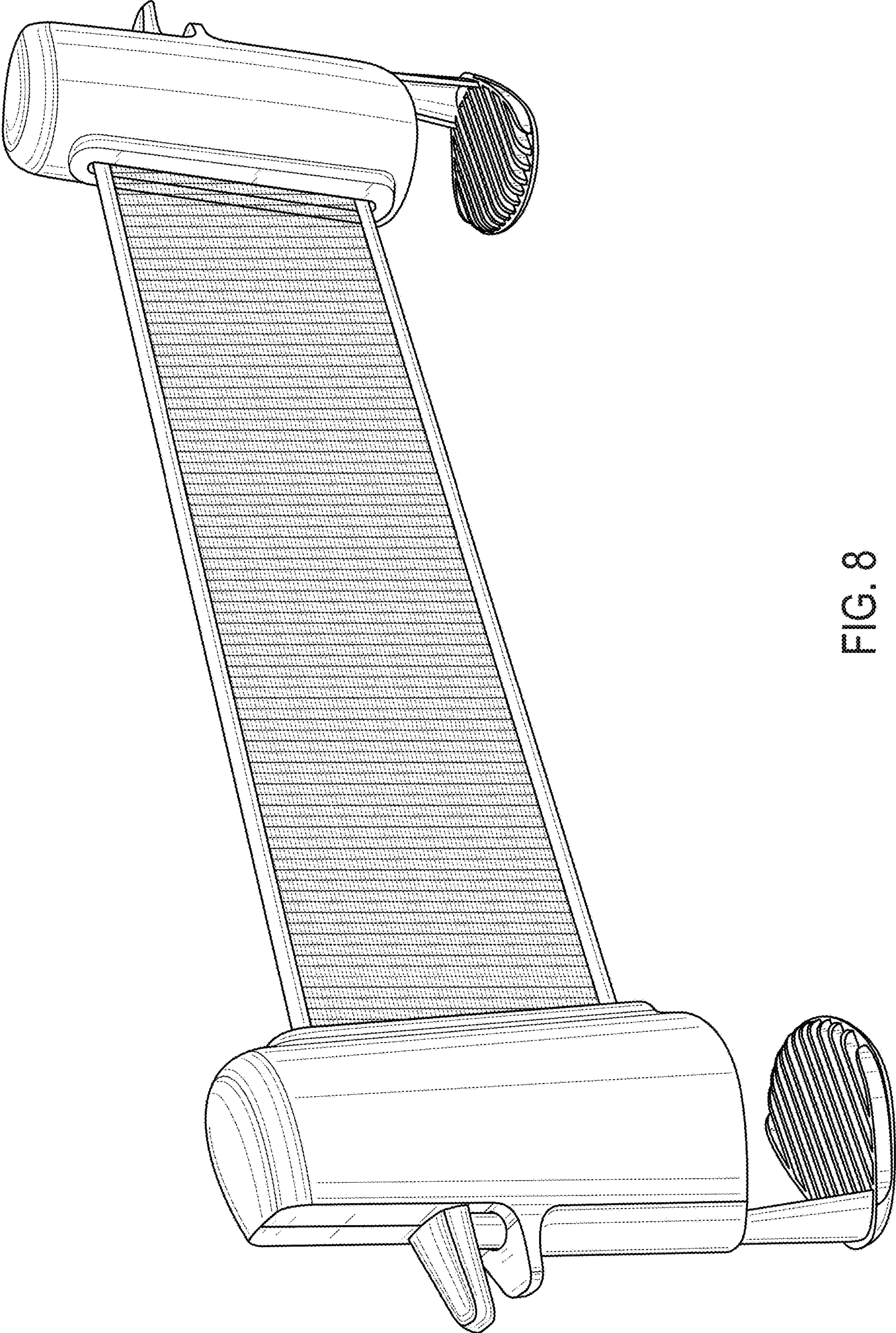


FIG. 8



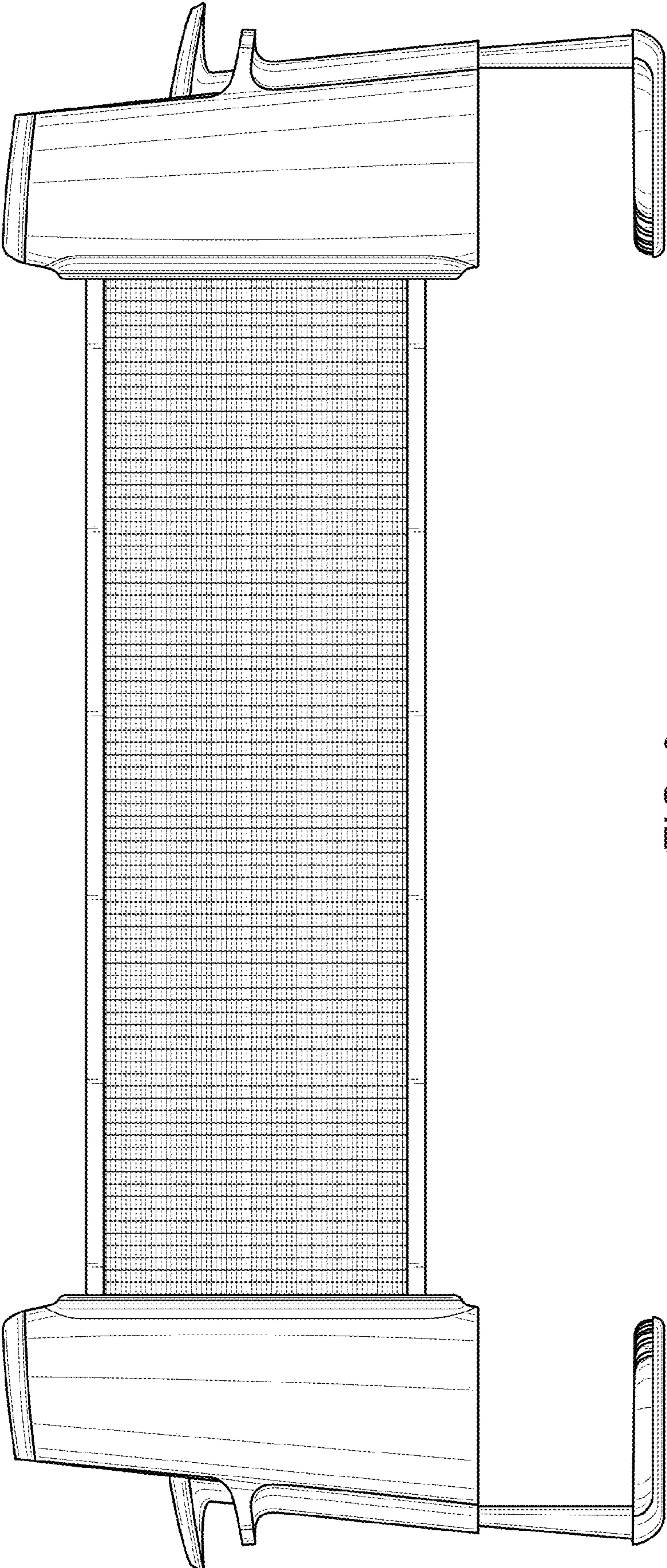


FIG. 9

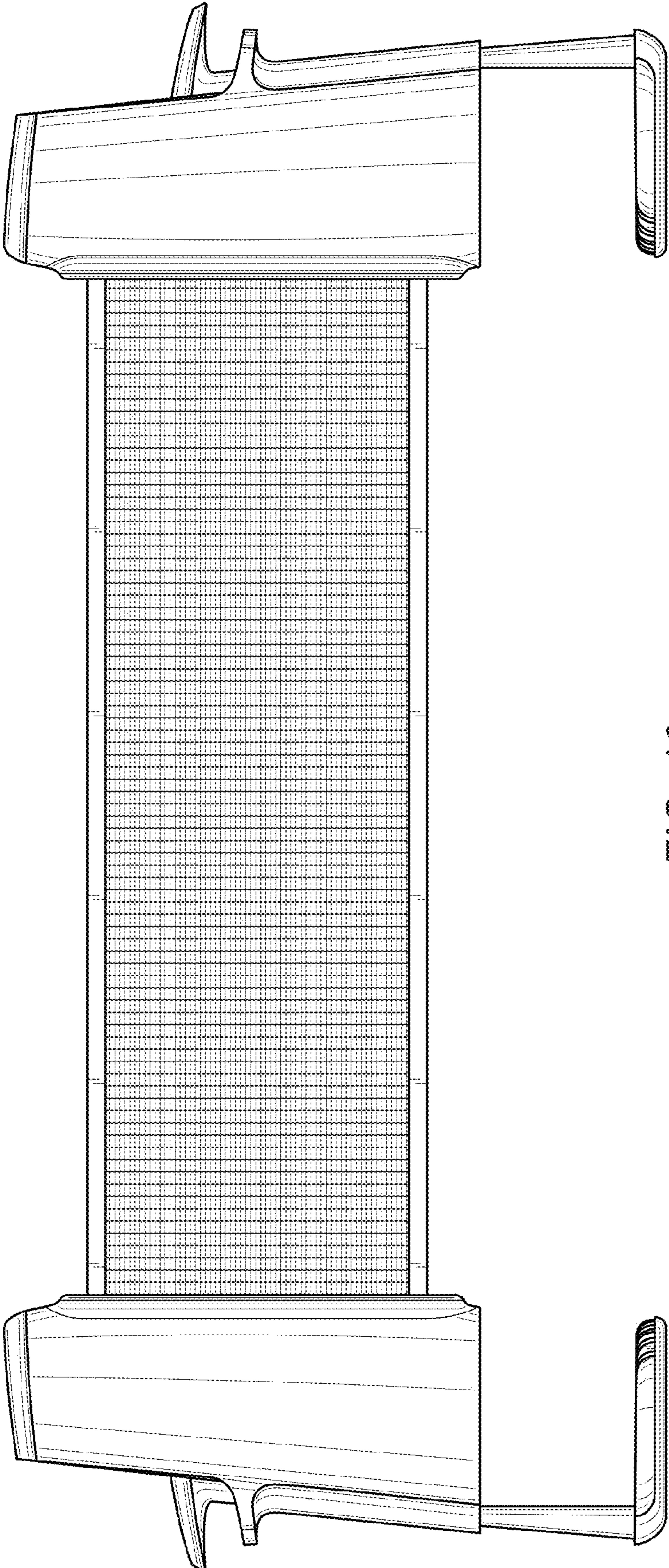


FIG. 10



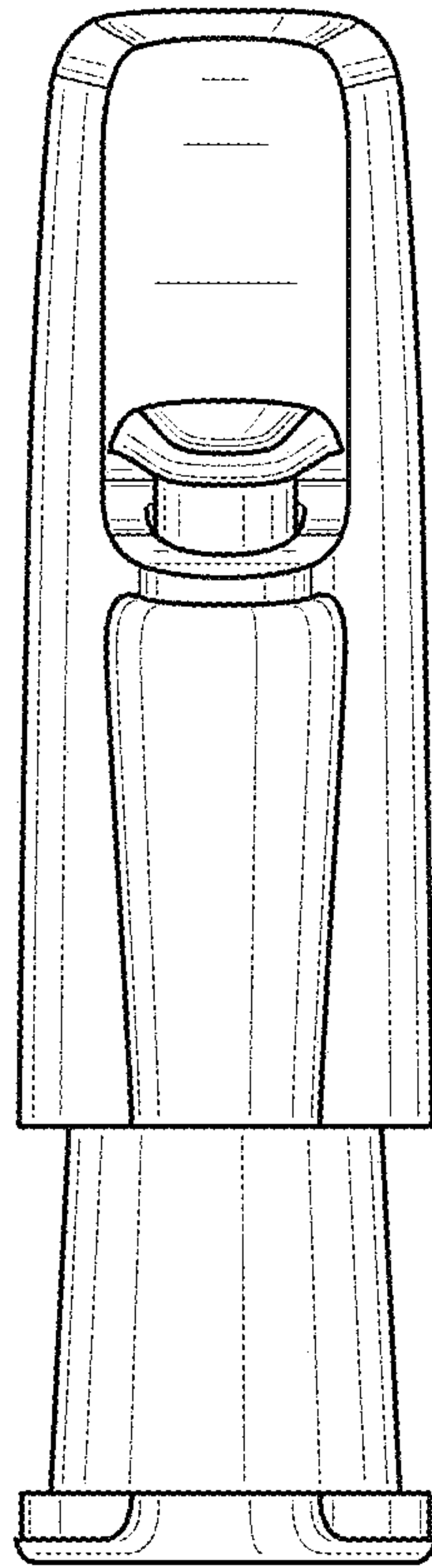


FIG. 11

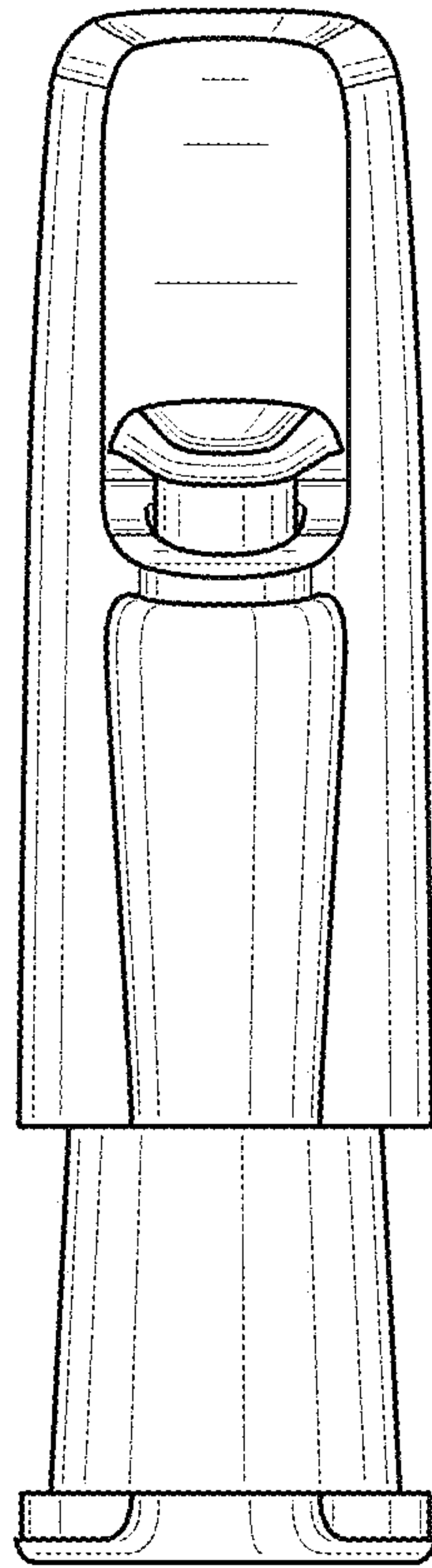


FIG. 12

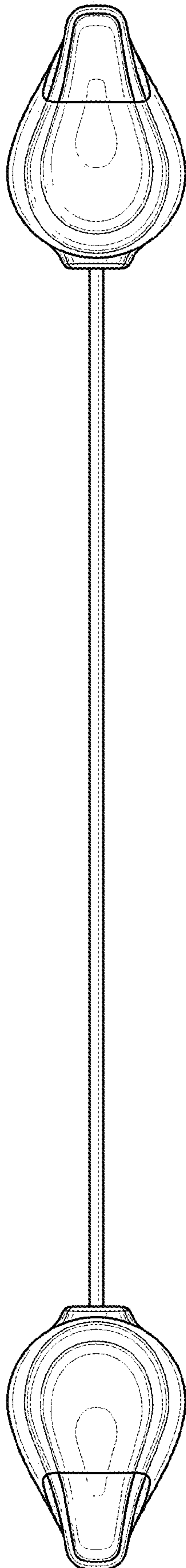


FIG. 13

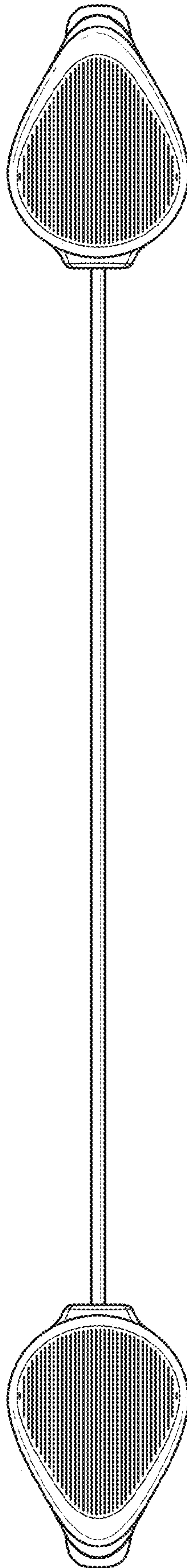


FIG. 14