



US00D914124S

(12) **United States Design Patent**
Pitkänen

(10) **Patent No.:** **US D914,124 S**
(45) **Date of Patent:** **** Mar. 23, 2021**

(54) **ATHLETIC EQUIPMENT**

DESCRIPTION

(71) Applicant: **Lappset Group Oy**, Rovaniemi (FI)

(72) Inventor: **Saska Pitkänen**, Rovaniemi (FI)

(73) Assignee: **LAPPSET GROUP OY**, Rovaniemi (FI)

(**) Term: **15 Years**

(21) Appl. No.: **29/673,664**

(22) Filed: **Dec. 17, 2018**

(30) **Foreign Application Priority Data**

Oct. 5, 2018 (EM) 005761053

(51) **LOC (13) Cl.** **21-02**

(52) **U.S. Cl.**
USPC **D21/797**

(58) **Field of Classification Search**
USPC D6/641, 642, 672, 673, 675.3, 675.4,
D6/685; D21/797

(Continued)

(56) **References Cited**

U.S. PATENT DOCUMENTS

D145,103 S * 6/1946 Power D6/675.4
D174,407 S * 4/1955 Andery D6/672

(Continued)

OTHER PUBLICATIONS

“Base Double M” 2020, site visited Sep. 29, 2020: <https://www.lappset.com/Products/Product/Base-Double-M/081737M> (Year: 2020).*

Primary Examiner — Michael C Stout

Assistant Examiner — Melvin L Davis

(74) *Attorney, Agent, or Firm* — Leason Ellis LLP

(57) **CLAIM**

The ornamental design for athletic equipment, as shown and described.

FIG. 1 is a perspective view of my new design for athletic equipment comprising a base according to a first embodiment;

FIG. 2 is a front view of the design of FIG. 1;

FIG. 3 is a rear view of the design of FIG. 1;

FIG. 4 is a left side view of the design of FIG. 1;

FIG. 5 is a right side view of the design of FIG. 1;

FIG. 6 is top view of the design of FIG. 1, as seen when viewed perpendicularly to the top surface and diagonally toward the ground, namely, at the same angle as the legs;

FIG. 7 is a bottom view of the design of FIG. 1, as seen when viewed perpendicularly to the top surface and diagonally toward the ground, namely, at the same angle as the legs;

FIG. 8 is top plan view of the design of FIG. 1, as seen perpendicular to the ground on which the athletic equipment rests;

FIG. 9 is a bottom plan view of the design of FIG. 1, as seen perpendicular to the ground on which the athletic equipment rests;

FIG. 10 is a perspective view of my new design for athletic equipment comprising a base according to a second embodiment;

FIG. 11 is a front view of the design of FIG. 10;

FIG. 12 is a rear view of the design of FIG. 10;

FIG. 13 is a left side view of the design of FIG. 10;

FIG. 14 is a right side view of the design of FIG. 10;

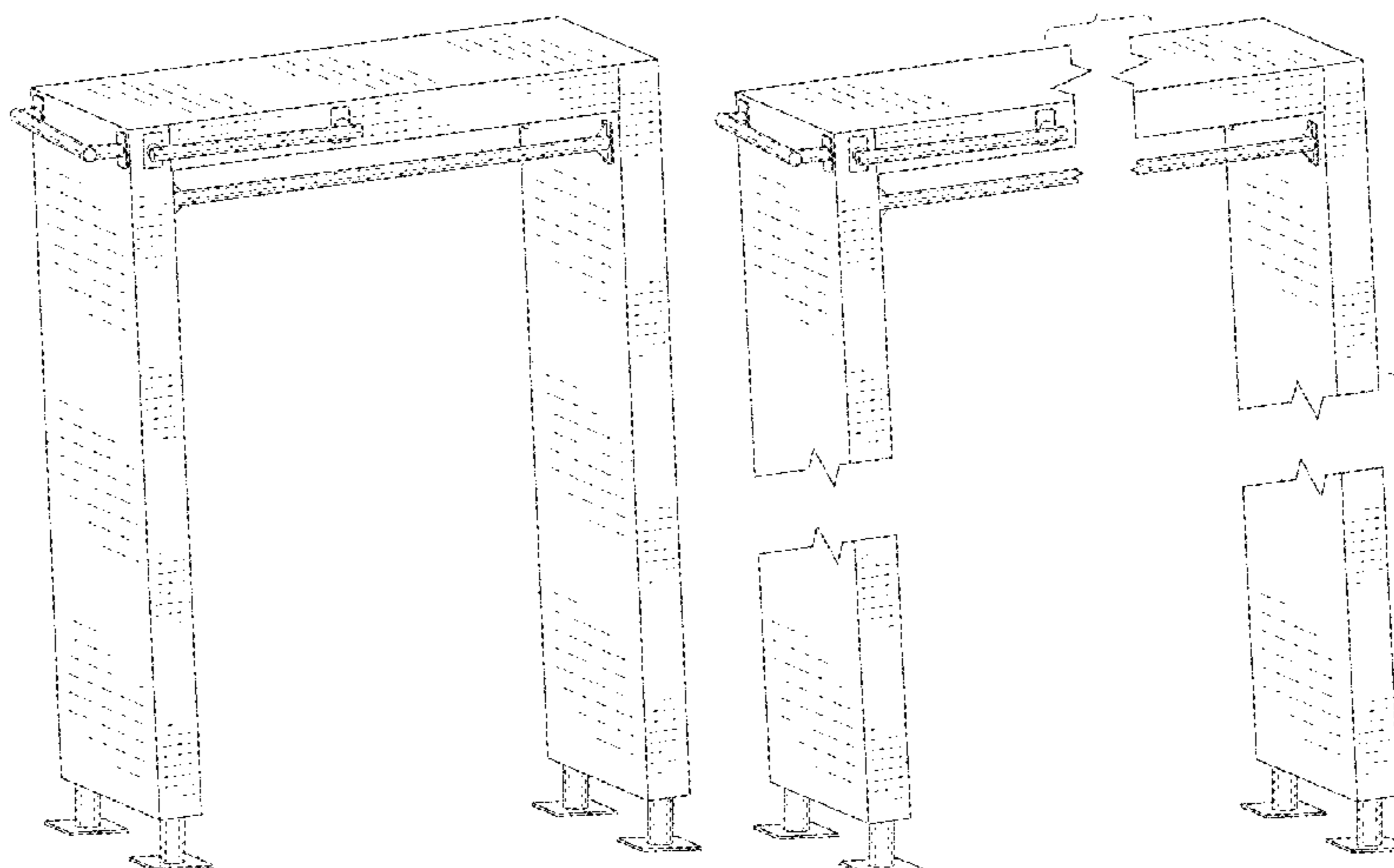
FIG. 15 is top view of the design of FIG. 10, as seen when viewed perpendicularly to the top surface and diagonally toward the ground, namely, at the same angle as the legs;

FIG. 16 is a bottom view of the design of FIG. 10, as seen when viewed perpendicularly to the top surface and diagonally toward the ground, namely, at the same angle as the legs;

FIG. 17 is top plan view of the design of FIG. 10, as seen perpendicular to the ground on which the athletic equipment rests; and,

FIG. 18 is a bottom plan view of the design of FIG. 10, as seen perpendicular to the ground on which the athletic equipment rests.

(Continued)



The jagged lines between brackets indicate break lines and the appearance of any portion of the article between the break lines forms no part of the claimed design.

1 Claim, 18 Drawing Sheets

(58) **Field of Classification Search**

CPC A47F 3/004; A47F 3/02
See application file for complete search history.

(56) **References Cited**

U.S. PATENT DOCUMENTS

D202,714 S * 11/1965 Fenner D21/797
D260,276 S * 8/1981 Gehlbach D21/797
D275,913 S * 10/1984 Mulligan D6/301
D281,555 S * 12/1985 Levy D6/406.6
D290,915 S * 7/1987 Hoover D6/682.6
D293,635 S * 1/1988 Goetz D6/685
D318,383 S * 7/1991 Terrell D6/672
D323,437 S * 1/1992 Hashimoto D6/641
D429,581 S * 8/2000 Wohlford D6/675.3
6,302,032 B1 * 10/2001 Ranspach A47B 97/04
108/12
D485,702 S * 1/2004 Becker D6/672
D535,116 S * 1/2007 Maitland-Smith D6/642
D536,551 S * 2/2007 Domack D6/642
D562,594 S * 2/2008 Thompson D6/675.3
D605,721 S * 12/2009 Simpson D21/797
D619,669 S * 7/2010 Mesirov D21/797
D774,334 S * 12/2016 Lawrence D6/698
D774,335 S * 12/2016 Lawrence D6/698

* cited by examiner

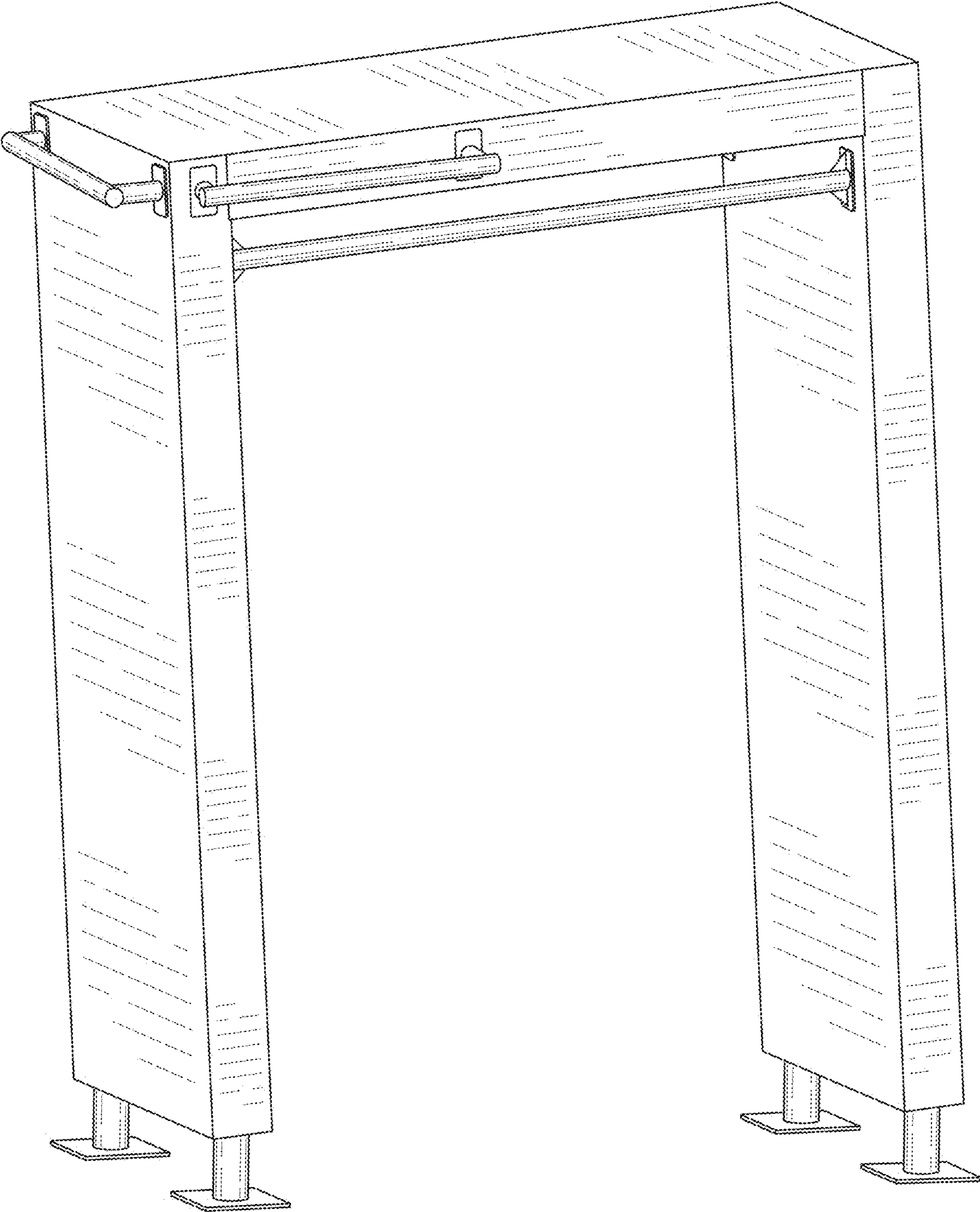


Fig. 1

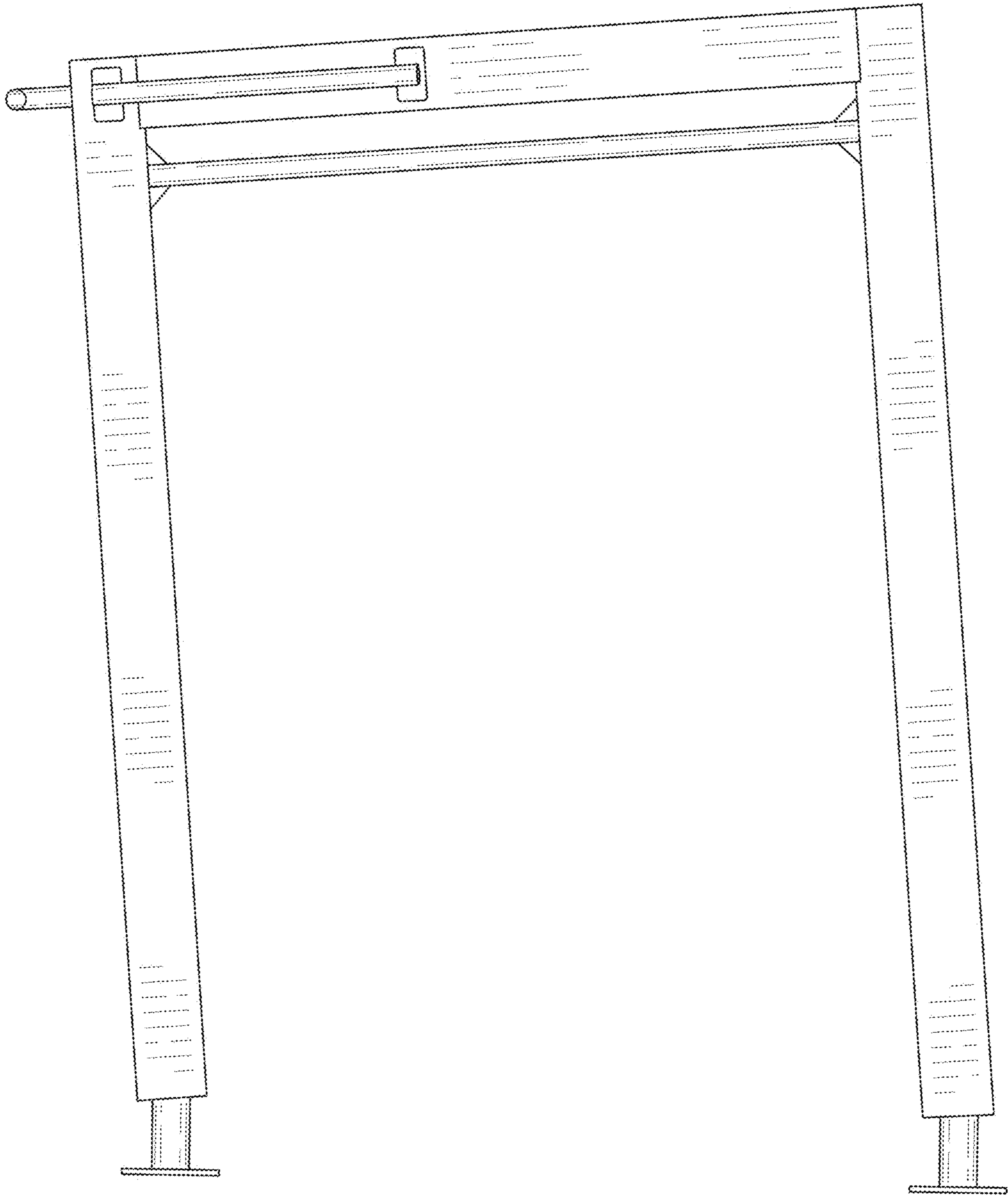


Fig. 2

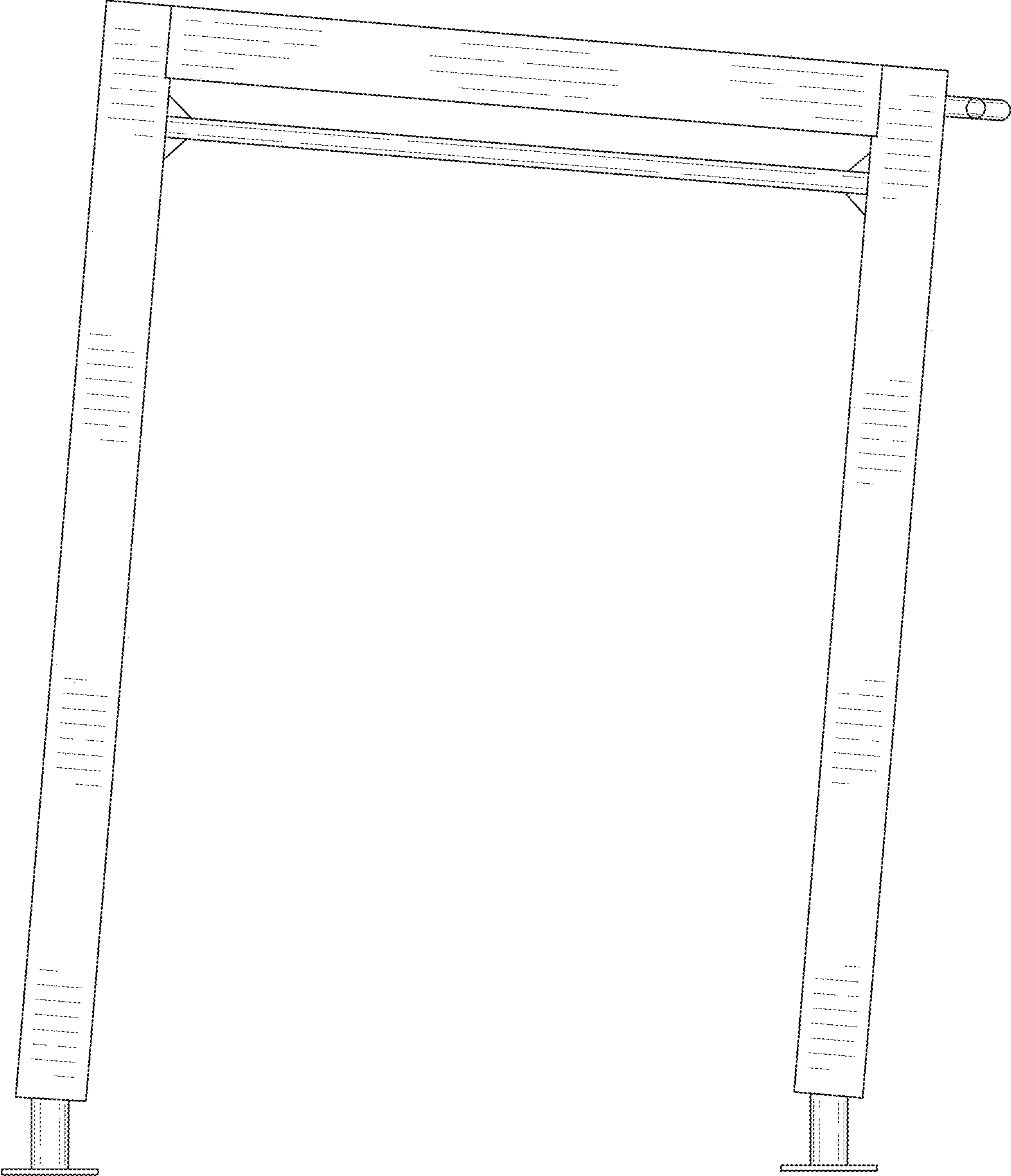


Fig. 3

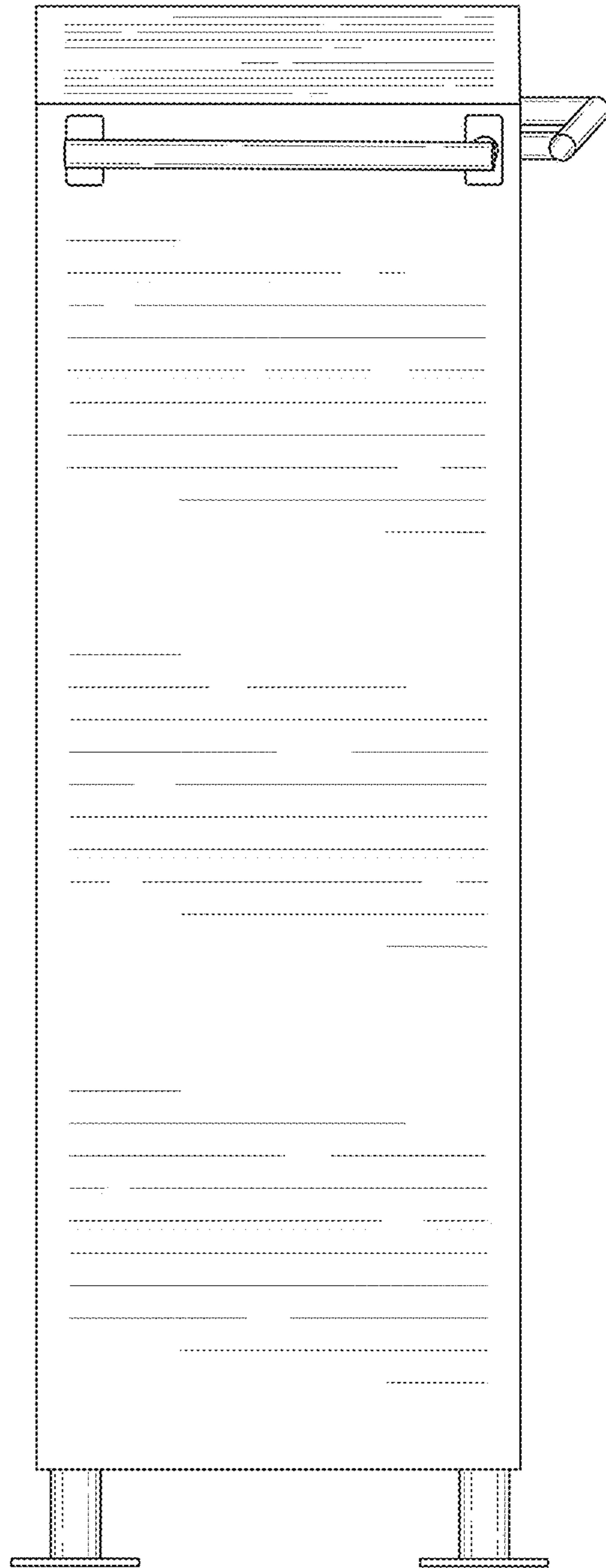


Fig. 4

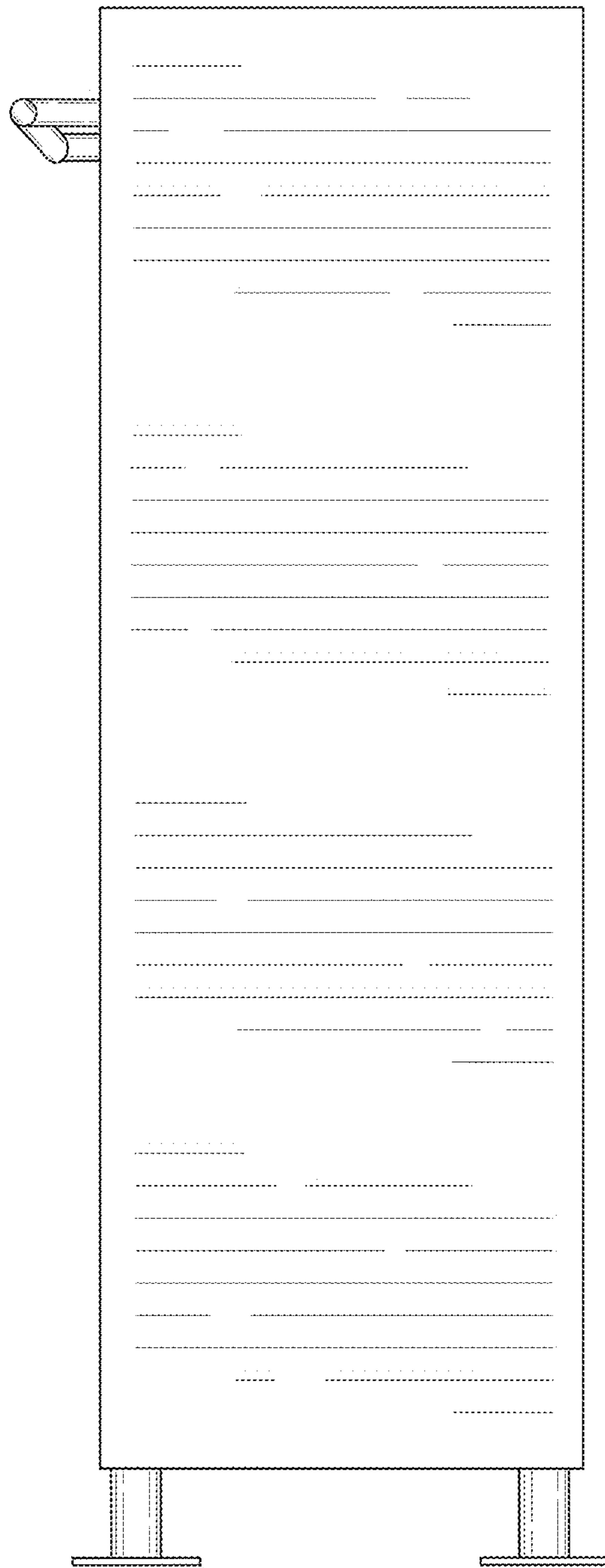


Fig. 5

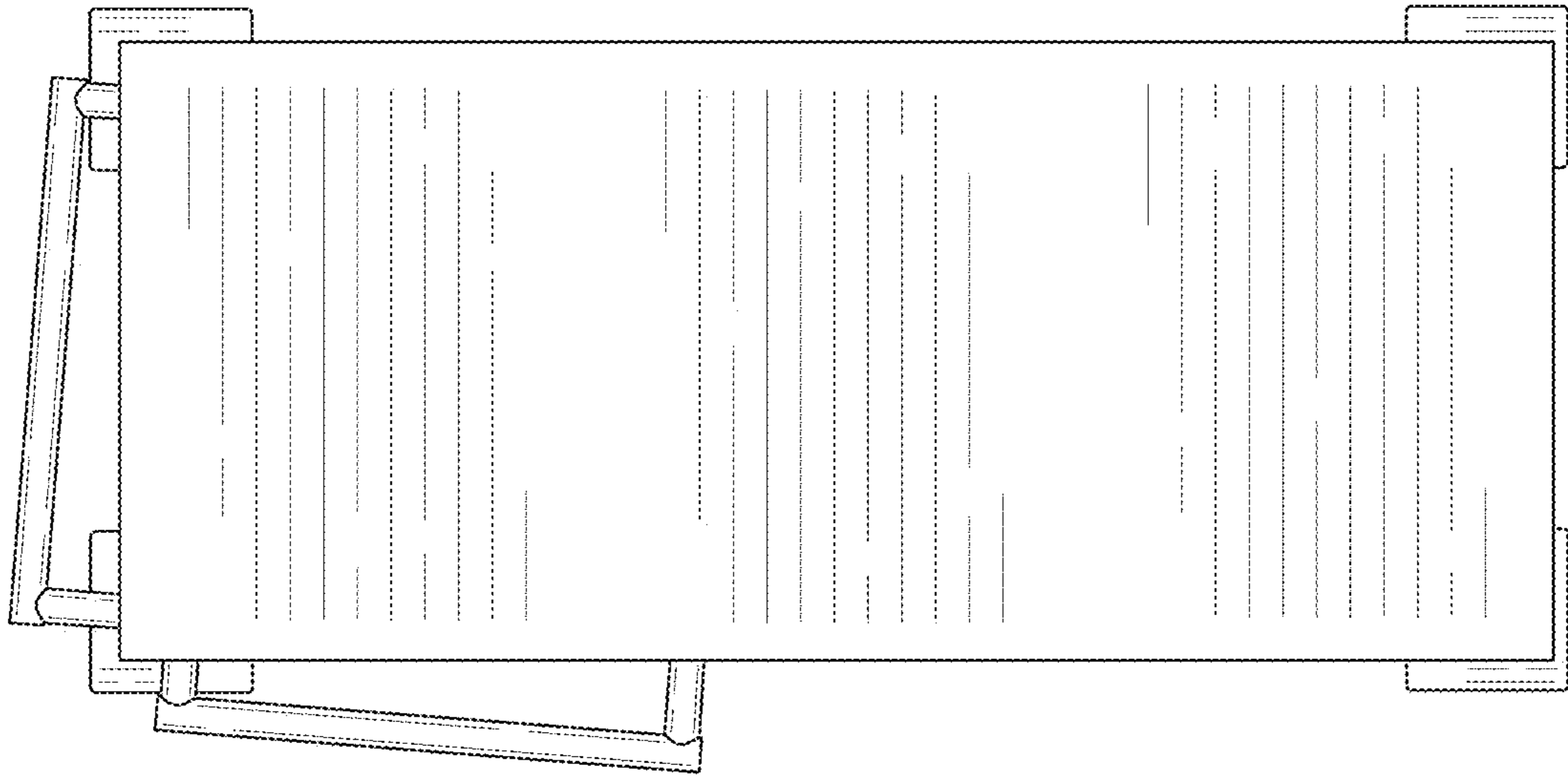


Fig. 6

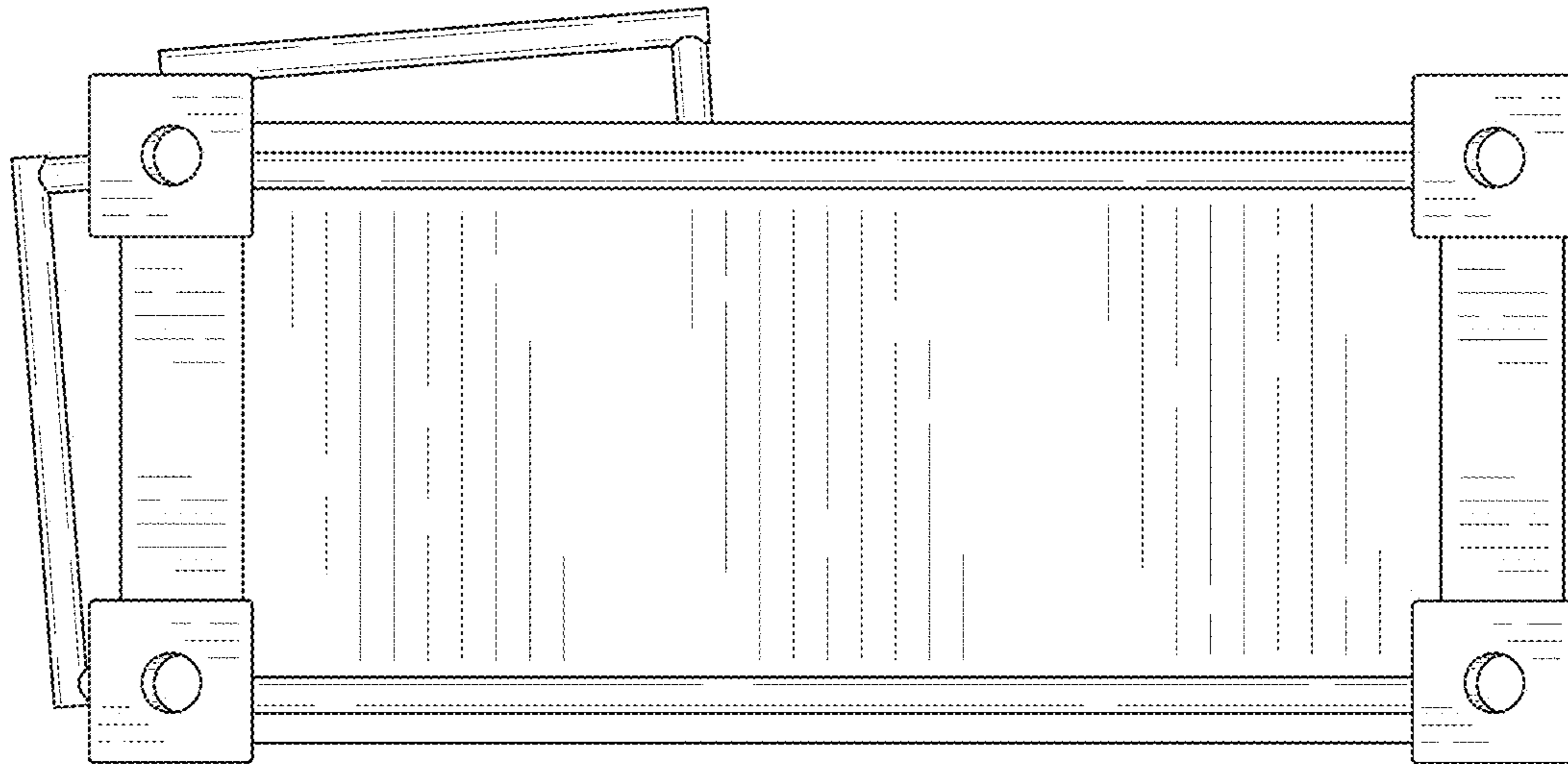


Fig. 7

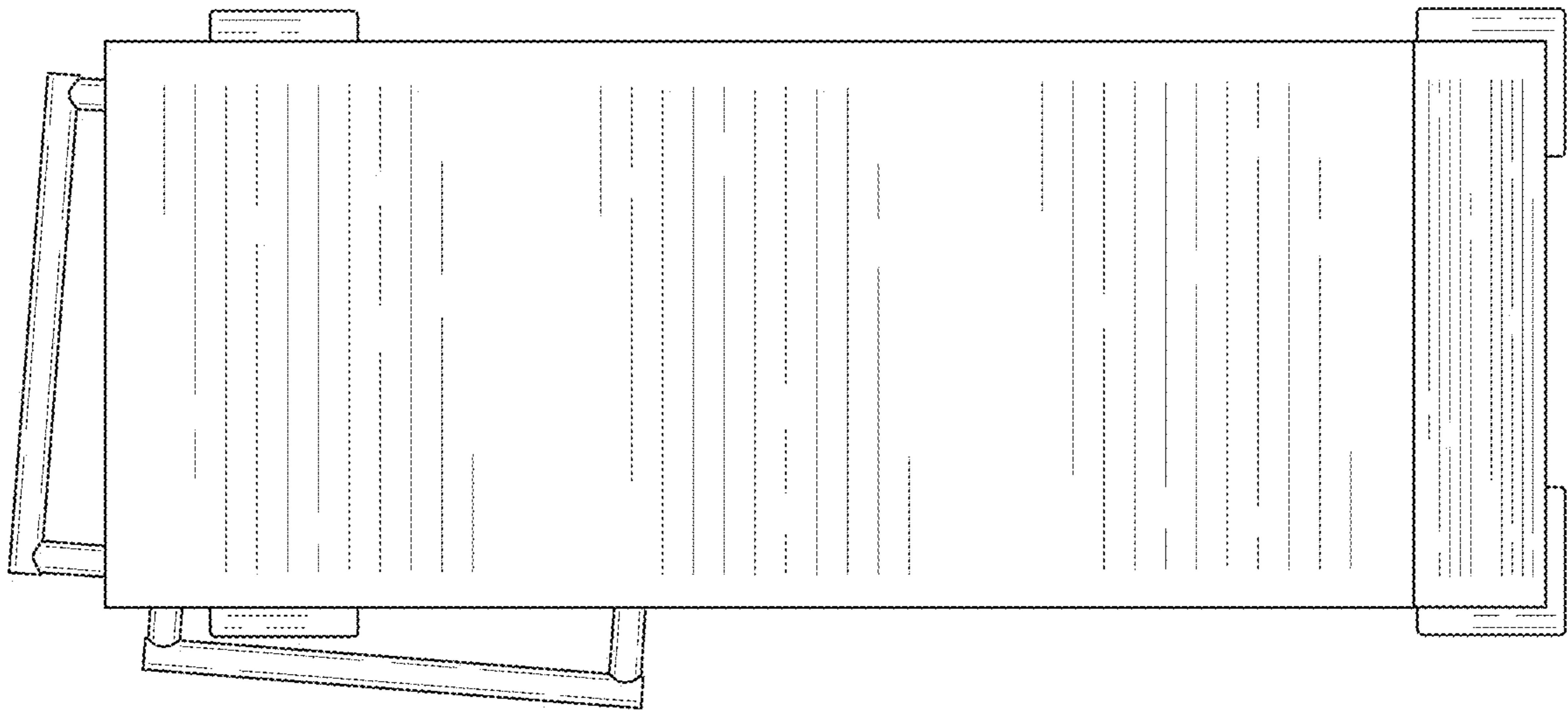


Fig. 8

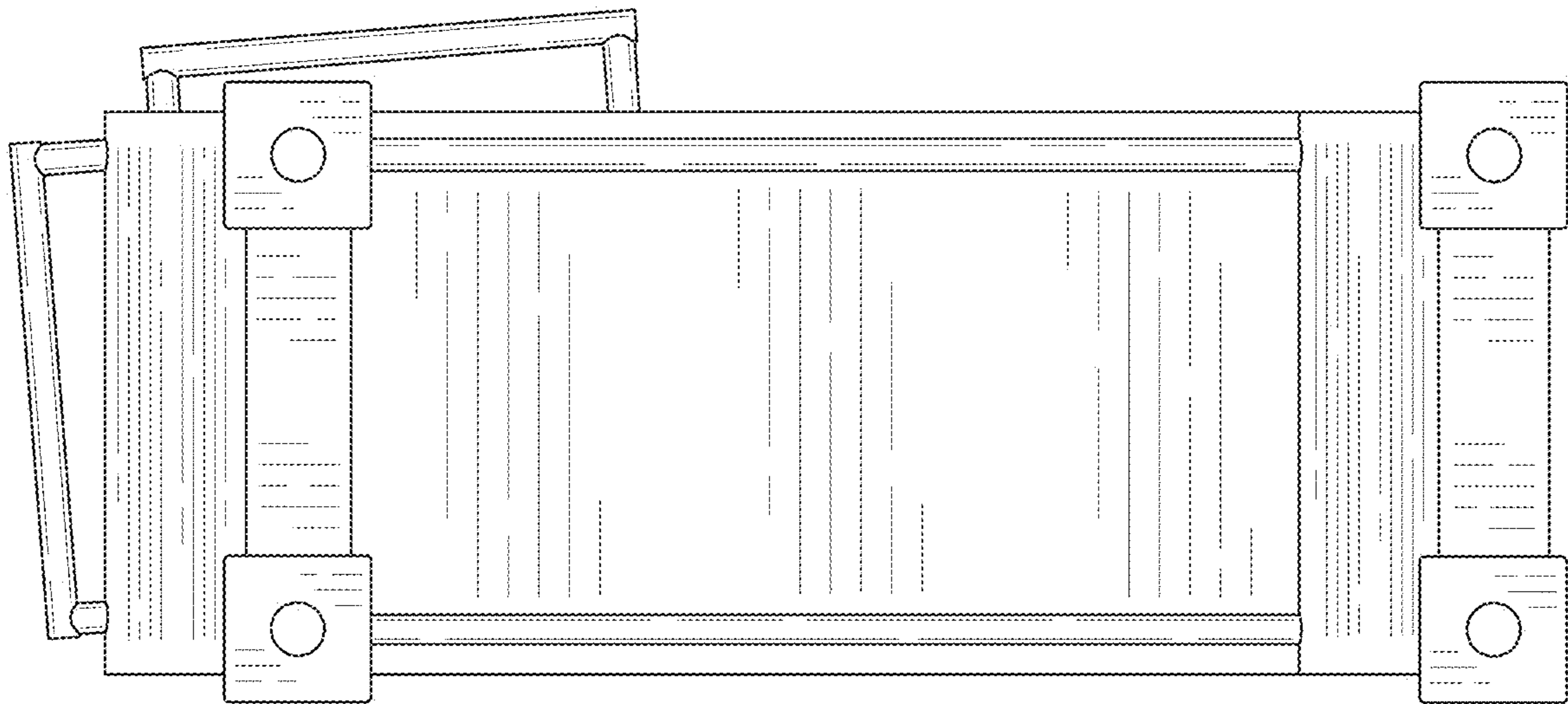


Fig. 9

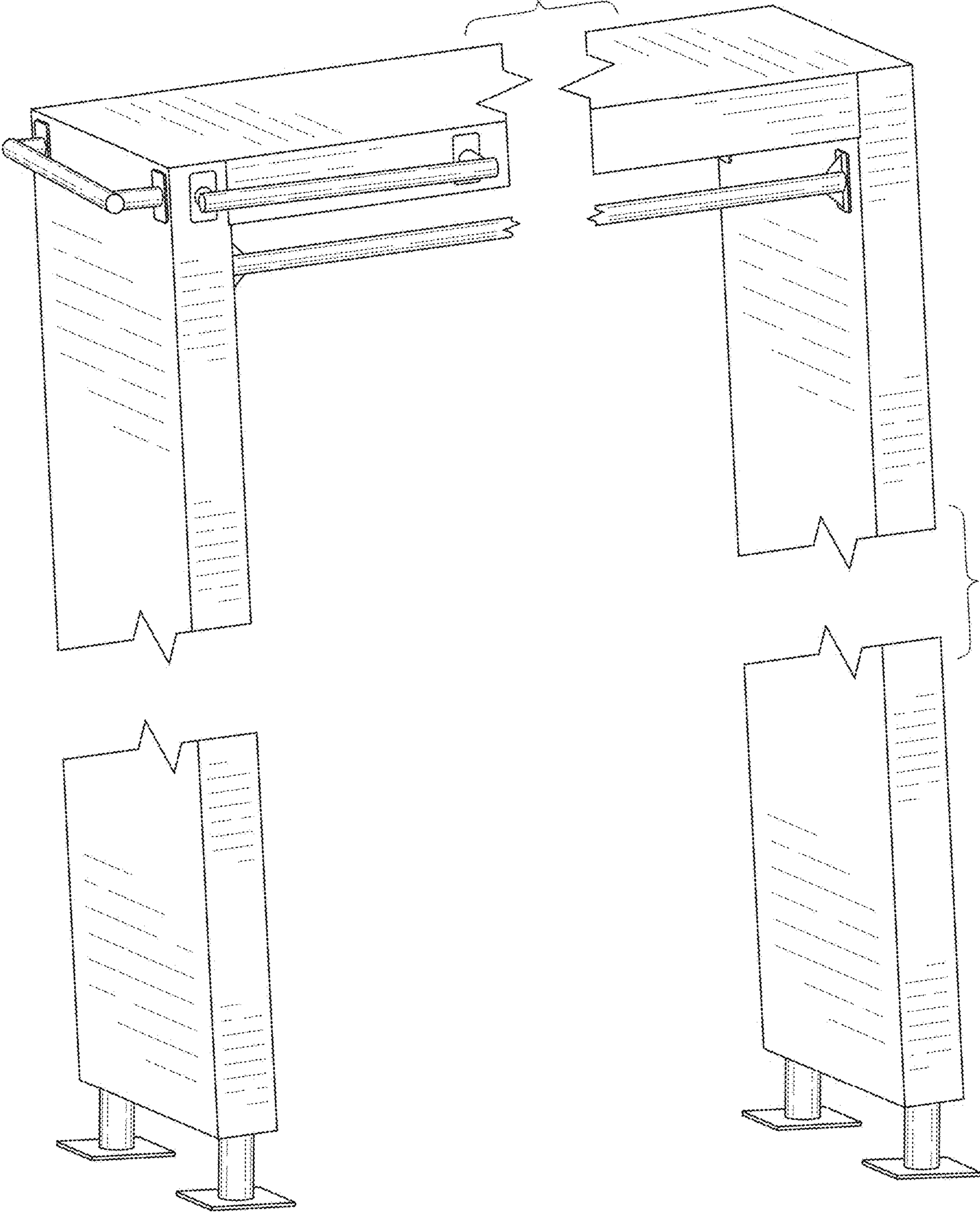


Fig. 10

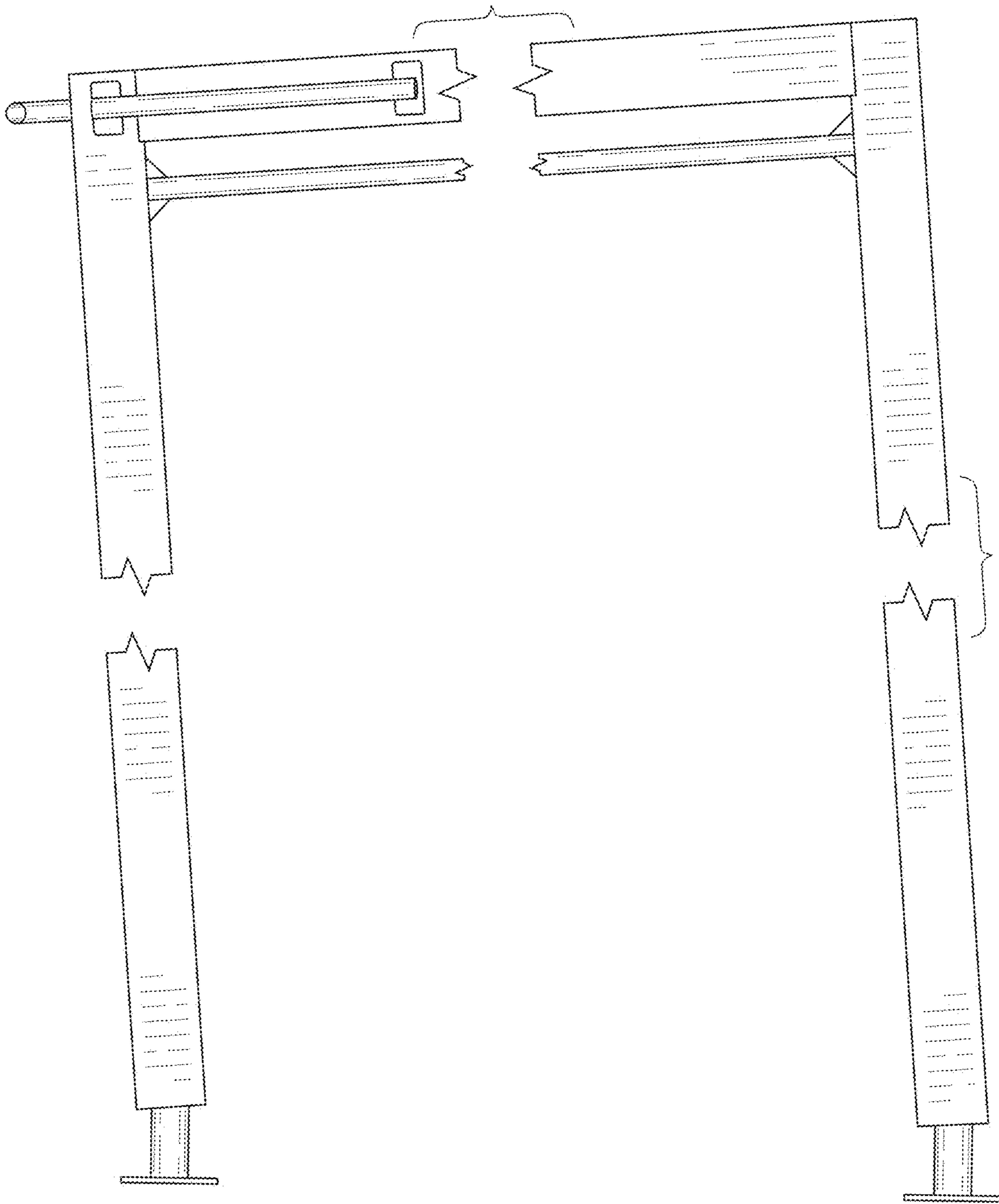


Fig. 11

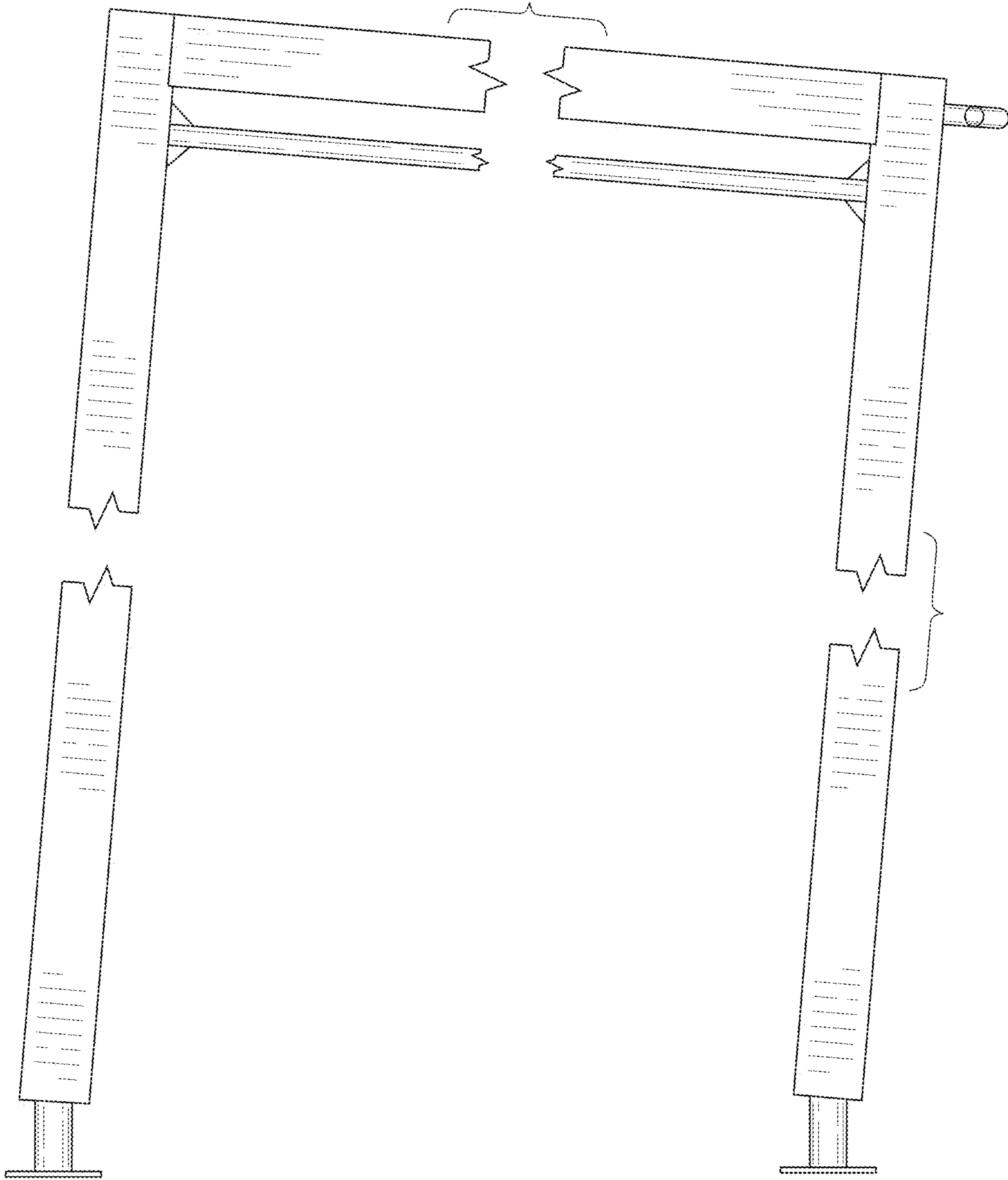


Fig. 12

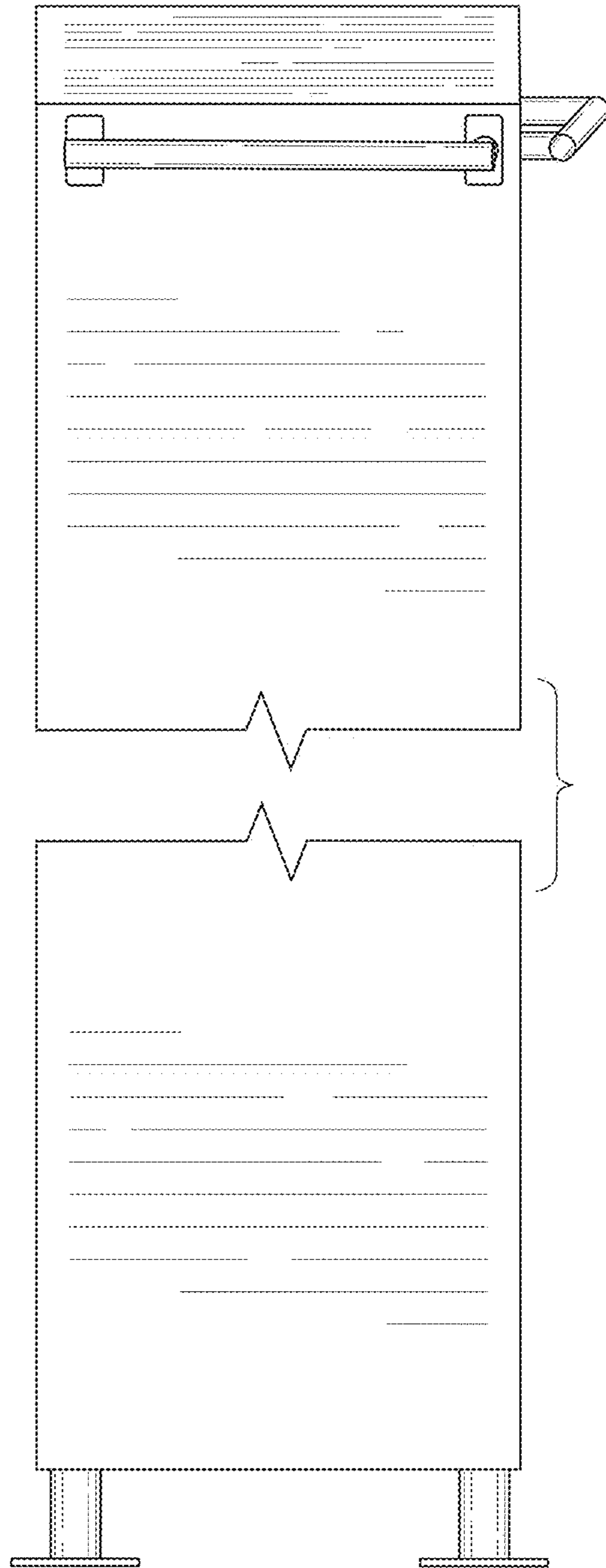


Fig. 13

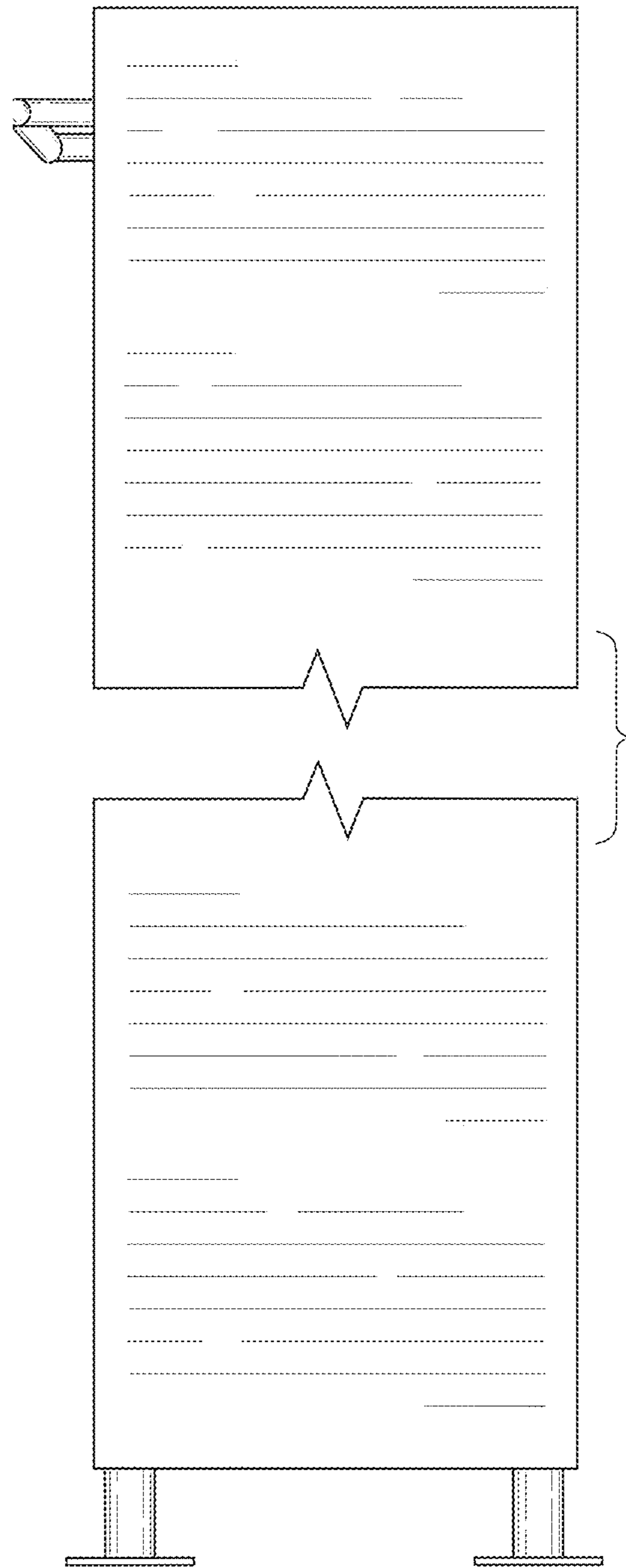


Fig. 14

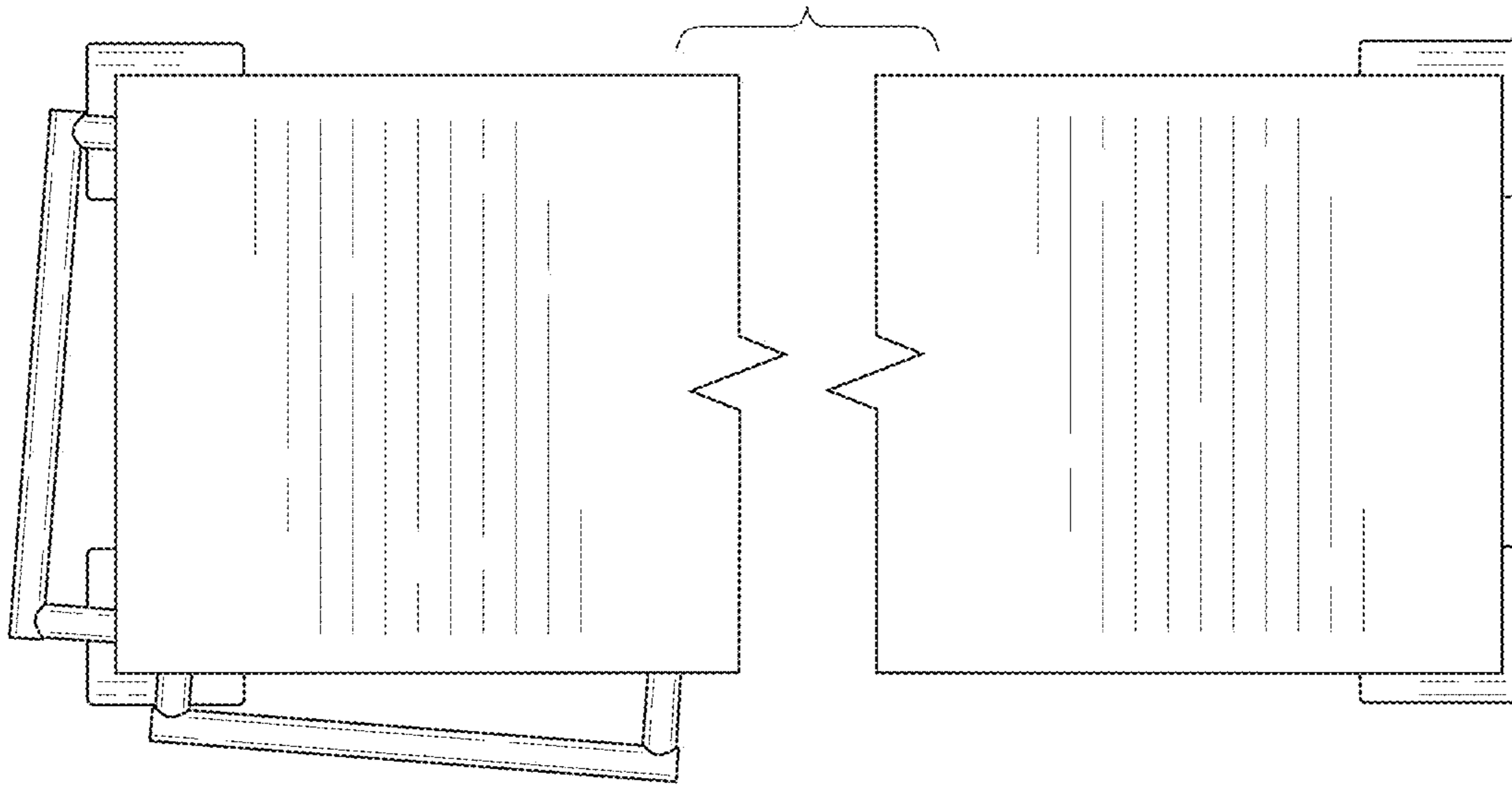


Fig. 15

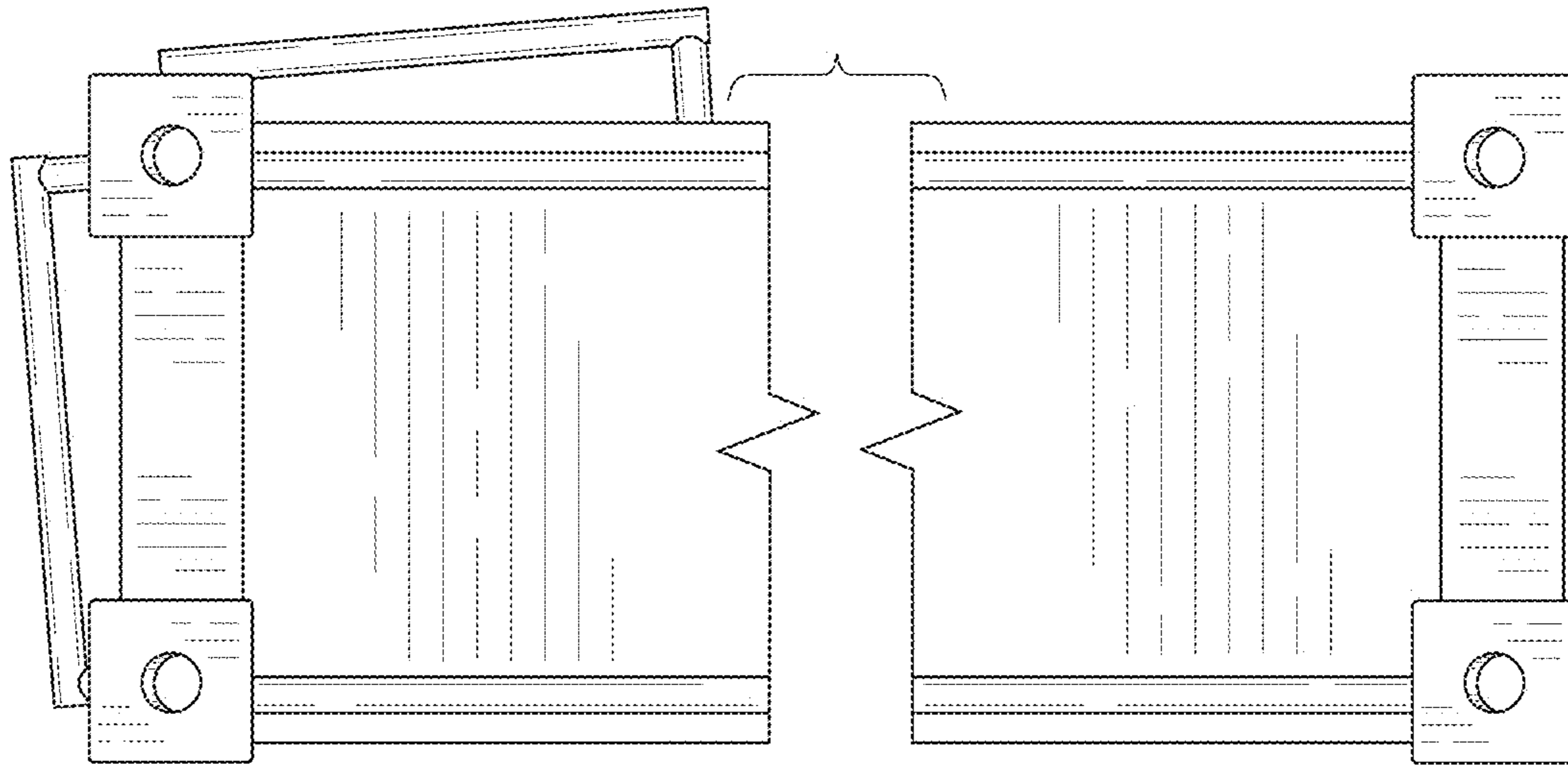


Fig. 16

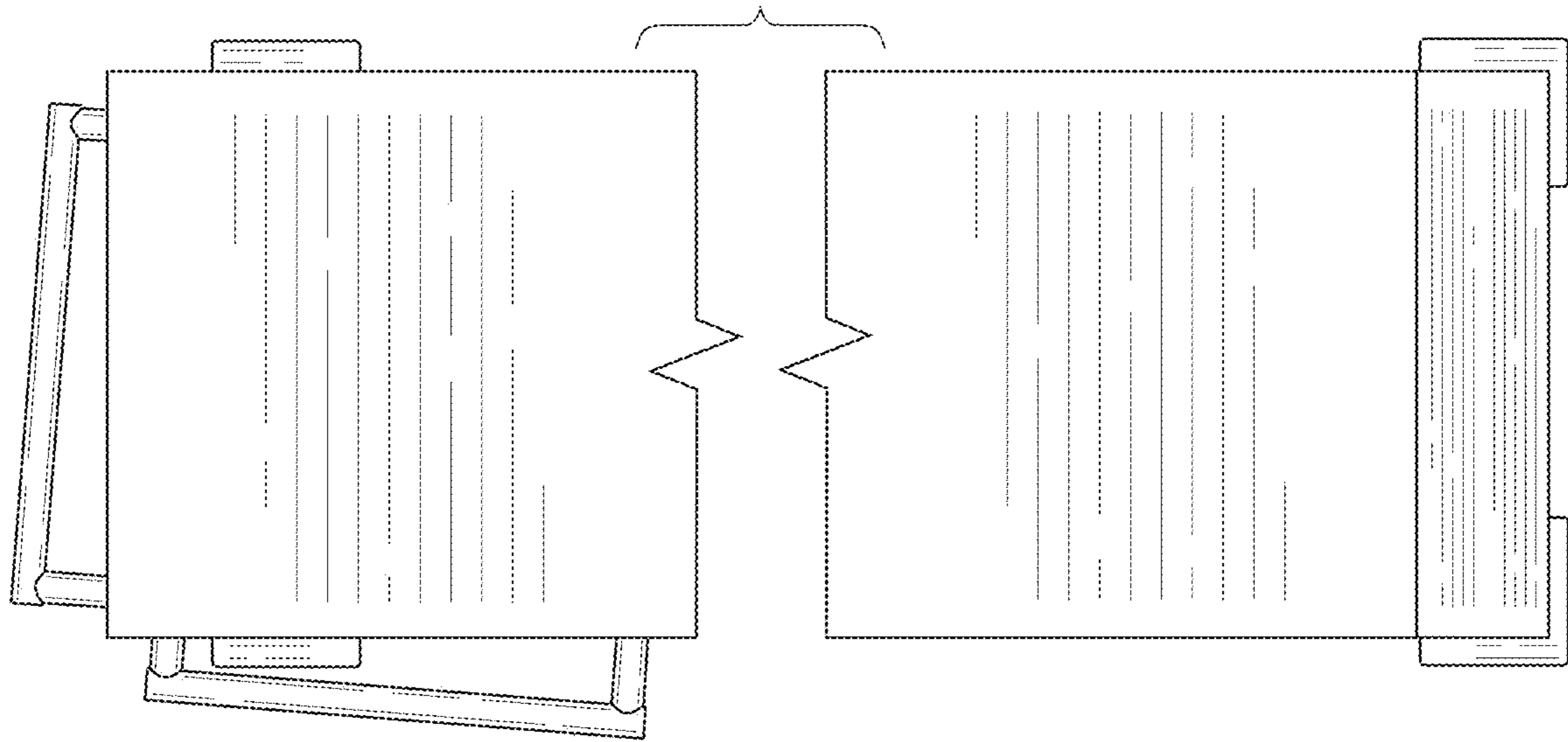


Fig. 17

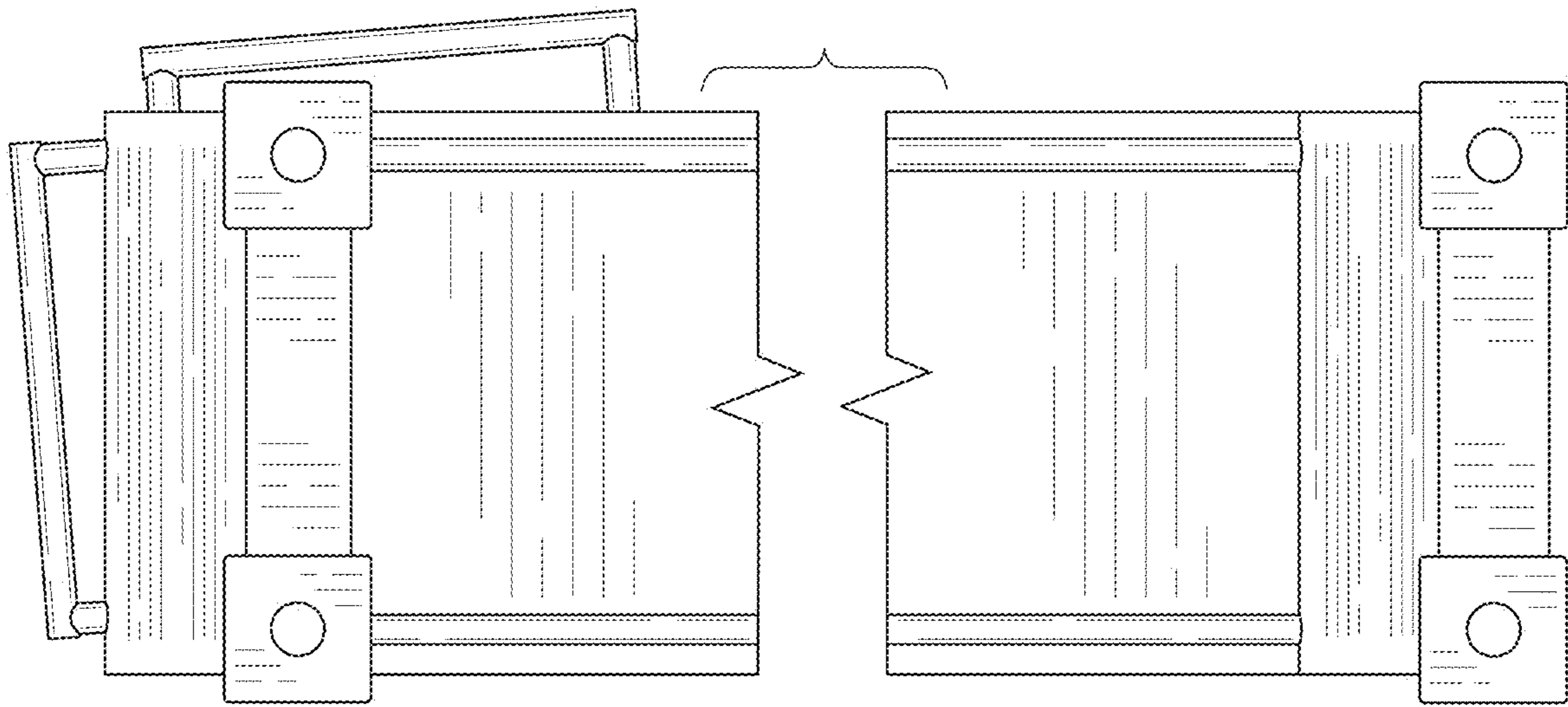


Fig. 18